



LEXINGTON

CUTTER, INC.

YOUR VALUE ADDED PARTNER

2018

**ISO 9001 REGISTERED
QUALITY CARBIDE & CARBIDE TIPPED
CUTTING TOOLS**

**PROUDLY
MADE IN THE UNITED STATES
&
DISTRIBUTED AROUND THE WORLD**

LEXINGTON CUTTER RETIPPING & RESHARPENING SERVICES

RETIPPING SERVICE

Lexington Cutter will retip and resharpen carbide tipped cutting tools manufactured by Lexington or equivalent tools made by other manufacturers. The tool types listed in the table below are eligible for retipping.
 12 or More Pieces List Price Less 40%
 6-11 Pieces List Price Less 35%
 2 - 5 Pieces List Price Less 30%

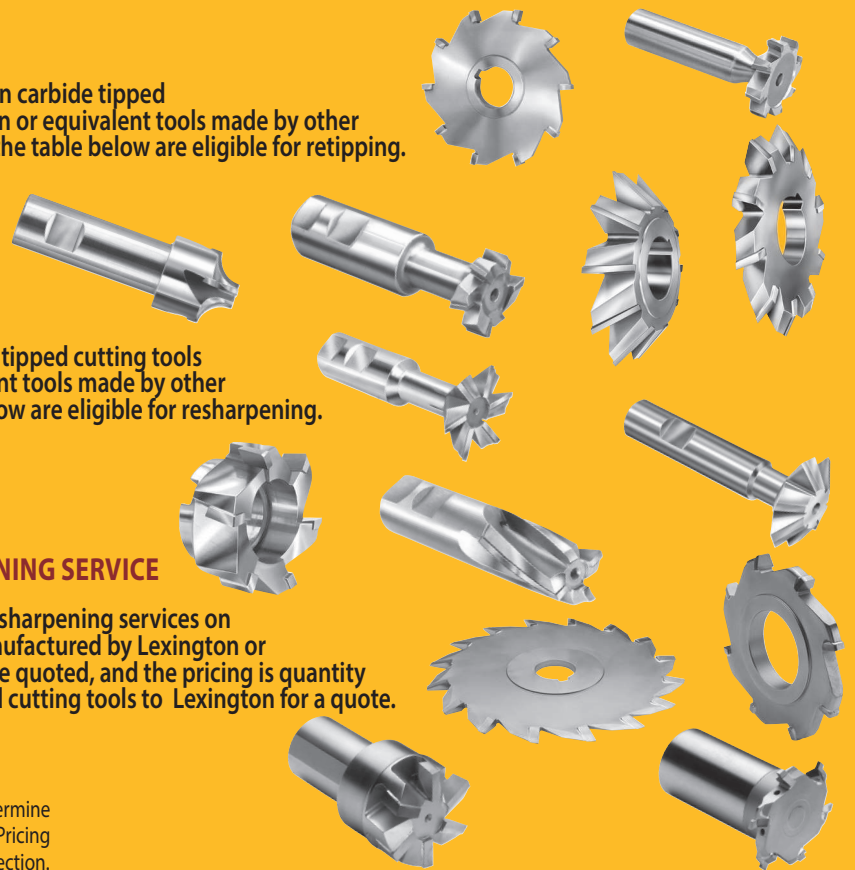
RESHARPENING SERVICE

Lexington Cutter will resharpen carbide tipped cutting tools manufactured by Lexington or equivalent tools made by other manufacturers. The tool types listed below are eligible for resharpening.
 Shank Tools List Price Less 60%
 Arbor Hole Tools List Price Less 45%
 5 Piece Minimum on Resharpening

SPECIALS RETIPPING & RESHARPENING SERVICE

Lexington Cutter offers retipping and resharpening services on special carbide tipped cutting tools manufactured by Lexington or other manufacturers. Specials need to be quoted, and the pricing is quantity based. Send your special carbide tipped cutting tools to Lexington for a quote.

All tools need to be inspected by Lexington to determine if they are eligible to be retipped or resharpened. Pricing is based on the number of tools eligible after inspection.



TYPE	ELIGIBLE CARBIDE TIPPED TOOLS
3704	High Performance Keyseat Cutters for Aluminum
3700	Straight Tooth Keyseat Cutters for Non-Ferrous & Cast Iron
3701	Staggered Tooth Keyseat Cutters for Non-Ferrous & Cast Iron
3702	Straight Tooth Keyseat Cutters for Steel
3703	Staggered Tooth Keyseat Cutters for Steel
3730	45° Chamfer Milling Cutters for Non-Ferrous & Cast Iron
3731	45° Chamfer Milling Cutters for Steel
3732	60° Chamfer Milling Cutters for Non-Ferrous & Cast Iron
3733	60° Chamfer Milling Cutters for Steel
3746	60° Double Angle Cutters for Non-Ferrous & Cast Iron (Shank)
3747	60° Double Angle Cutters for Steel (Shank)
3748	90° Double Angle Cutters for Non-Ferrous & Cast Iron (Shank)
3749	90° Double Angle Cutters for Steel (Shank)
3718	Radius Cutters for Non-Ferrous & Cast Iron
3719	Radius Cutters for Steel
3720	T-Slot Cutters for Non-Ferrous & Cast Iron
3721	T-Slot Cutters for Steel
3734	45° Dovetail Cutters for Non-Ferrous & Cast Iron
3735	45° Dovetail Cutters for Steel
3736	60° Dovetail Cutters for Non-Ferrous & Cast Iron
3737	60° Dovetail Cutters for Steel
3550	Slitting Saws Coarse Tooth for Non-Ferrous
3552	Slitting Saws Coarse Tooth for Cast Iron
3554	Slitting Saws Coarse Tooth for Steel
3558	Slitting Saws Coarse Tooth for Stainless
3551	Slitting Saws Standard Tooth for Non-Ferrous
3553	Slitting Saws Standard Tooth for Cast Iron
3556	Slitting Saws Standard Tooth for Steel
3559	Slitting Saws Standard Tooth for Stainless
3540	Side Milling Cutter for Non-Ferrous
3541	Side Milling Cutter for Cast Iron
3542	Side Milling Cutter for Steel
3543	Side Milling Cutter for Stainless
3547	Side Milling Cutter Staggered Tooth General Purpose

TYPE	ELIGIBLE CARBIDE TIPPED TOOLS
3714	45° Right Single Angle Cutter (Arbor Hole Type)
3716	45° Left Single Angle Cutter (Arbor Hole Type)
3724	60° Right Single Angle Cutter (Arbor Hole Type)
3726	60° Left Single Angle Cutter (Arbor Hole Type)
3750	45° Double Angle Cutter (Arbor Hole Type)
3752	60° Double Angle Cutter (Arbor Hole Type)
3754	90° Double Angle Cutter (Arbor Hole Type)
3530	Shell Mill for Non-Ferrous
3531	Shell Mill for Cast Iron
3532	Shell Mill for Steel
3536	Face Mill for Non-Ferrous
3537	Face Mill for Cast Iron
3538	Face Mill for Steel
3740	Corner Rounding End Mill for Non-Ferrous
3741	Corner Rounding End Mill for Steel
3323	Bridgeport/Reduced Shank End Mill for Non-Ferrous & Cast Iron
3353	Bridgeport/Reduced Shank End Mill for Steel
3322	CNC Finishing End Mills 15° Right Spiral Flutes for NF & Cast Iron
3355	CNC Finishing End Mills 15° Right Spiral Flutes for Steel
3337	CNC HP End Mills 25° Right Spiral Flutes for Aluminum & NF
3300	End Mills for Steel 2 Straight Flutes
3308	End Mills for Steel 6° Right Spiral Flutes
3310	End Mills for Steel 6° Left Spiral Flutes
3350	End Mills for Steel 15° Right Spiral Flutes
3302	End Mills for NF & Cast Iron 2 Straight Flutes Radial Edged
3304	End Mills for NF & Cast Iron 4/6 Straight Flutes Radial Edged
3305	End Mills for NF & Cast Iron 4 Straight Flutes Upsharp
3306	End Mills for NF & Cast Iron 6° Right Spiral Flutes Radial Edged
3307	End Mills for NF & Cast Iron 6° Right Spiral Flutes Upsharp
3320	End Mills for NF & Cast Iron 15° Right Spiral Flutes Radial Edged
3375	End Mills for NF & Cast Iron 15° Right Spiral Flutes Radial Edged
3325	End Mills for NF & Cast Iron 25° Right Spiral Flutes Radial Edged
3327	End Mills for NF & Cast Iron 25° Right Spiral Flutes Upsharp
-	-

SELECTING THE CORRECT LEXINGTON TOOL

LEXINGTON CUTTER'S carbide tipped tools are designed with the appropriate carbide grade and tool geometry for each material classification.

Follow the steps below to select the best tool types for maximum performance.

1. Determine classification of material being machined using table below.
2. Determine family of tool needed (i.e., drills, reamers, end mills, etc.).
3. Using the color coded index on the following pages, find the family of tool needed and the correct material classification column.
4. The index shows the tool types and page numbers for the recommended tools.
5. Turn to the page to find: sizes, tolerances, EDP numbers and prices.

CLASSIFICATION	MATERIAL	EXAMPLES
NON-FERROUS (SOFT)	ALUMINUM ALLOY - CAST ALUMINUM ALLOY - WROUGHT MAGNESIUM ALLOY LEAD ALLOY NON-METAL AND PLASTIC ZINC ALLOY - DIE CAST	308.0, 356.0, 360.0, 380.0, 390.0, 514.0 3003, 4032, 5052, 6061, 7075 AM60A, AZ21A, AZ91B-C, K1A Alloys 7, 8, 13, 15, 1Sb, 4Sb, 6Sb, 8Sb, 9Sb Bakelite, Nylon, Polystyrene, PVC AC41A, AG40A, AMS4803, ZDC NO. 7
NON-FERROUS (HARD)	ALUMINUM BRONZE BRASS ALLOY - LEADED AND FREE CUTTING BRASS ALLOY - YELLOW, RED, NAVAL COMMERCIAL BRONZE (LEADED) NICKEL SILVER COPPER ALLOY - TOUGH	614, 952-958 340, 342, 353, 360, 370, 485 268, 270, 464-467 314 745-770, 973-978 110, 170, 172, 175, 280, 425, 610, 655
CAST IRON	DUCTILE CAST IRON - AUSTENITIC FERRITIC FERRITIC - PEARLITIC PEARLITIC - MARTENSITIC MARTENSITIC GRAY CAST IRON MALLEABLE CAST IRON - FERRITIC OR PEARLITIC	D-2, D-2B, D-2C, D-2M, D-3, D-3A, D-4, D-5 60-40-18, 65-45-12, D4018, D4512 80-55-06, D5506 100-70-03, D7003 120-90-02, DQ&T 20, 25, 30, 35, 40, 45, 50, 55 32510, 35018, 45008, M3210, M4504
LOW CARBON STEELS	LOW AND MEDIUM CARBON STEEL - WROUGHT LOW AND MEDIUM CARBON STEEL - FREE MACHINING LOW CARBON STEEL - CAST LEADED LOW CARBON LEADED MEDIUM CARBON MEDIUM CARBON STEEL - CAST	1005-1029, 1030-1050 1108-1119, 1132-1151, 1211-1215 1010, 1020 10L18, 11L17, 12L13-12L15 10L45, 10L50, 11L37, 11L44 1030, 1040, 1050
MEDIUM STRENGTH STEELS	LOW AND MEDIUM CARBON ALLOY STEEL LOW AND MEDIUM CARBON ALLOY STEEL - FREE MACH. MEDIUM AND HIGH CARBON ALLOY STEEL - LEADED STAINLESS STEEL - 300 SERIES (FREE MACH.)* STAINLESS STEEL - 400 SERIES STAINLESS STEEL - 400 SERIES (FREE MACH.)	4320, 4340, 4620, 5015, 8620, 9310 4140, 4142Se, 4145Te, 4150, 86L20 41L30, 41L40, 41L50 303, 303MA, 303Pb, 303 PLUS X, 303Se 409, 410, 420, 430, 436 416, 416Se, 420F, 430F, 440F
HIGH STRENGTH STEELS	ARMOR PLATE HIGH CARBON ALLOY STEEL HIGH STRENGTH STEEL - WROUGHT MARAGING STEEL NITRIDING STEEL TOOL STEEL	HY-80, HY-100, HY-180, MIL-S-12560 50100, 51100, 52100 300M, 4330V, 98BV40, HP 9-4-20 Grades 200, 250, 300, 350, HY 230 Nitalloy 125, 135, 135 Modified, 230 Series A2, D2, H13, M50, P20, S7, W1
HIGH TEMPERATURE ALLOYS	IRON BASE ALLOY NICKEL BASE ALLOY STAINLESS STEEL - 300 SERIES STAINLESS STEEL - PH SERIES TITANIUM ALLOY	A-286, Discaloy, Incoloy 800-802 Hastelloy C, Inconel 600, 625, 718, 825 302, 304, 309, 314, 316, 300, 347, 385 15-5PH, 16-6PH, 17-4PH, AM-350 Ti-6Al-4V, Ti-10V-2Fe-3Al, 98.9, 99.5

Lexington's tool selection is based on materials most common to condition. Special heat treatments or processing may change the material's machining characteristics. This guide is a suggested starting point for tool selection.

Phone 941-739-2726 • Fax 941-739-2827 • www.lexingtoncutter.com • LEXINGTON CUTTER, INC.

*When milling free machining 300 series stainless steel, use cast iron classification.

LEXINGTON CUTTER TOOL INDEX

	Tool Type	Fractional Page	Metric Page	Non-Ferrous Soft	Non-Ferrous Hard	Cast Iron	Low Carbon Steel	High Strength Steel	High Temp. Alloys	Cleveland	Fullerton	Gayhee	Morse	NYTD	Niagara	RTW (Green/Red)	Union
MILLING CUTTERS - ARBOR TYPE																	
TOOL SELECTOR																	
CROSS REFERENCE																	
Double Angle Cutter - 45° Included	3750	27								-	-	-	-	-	-	-	-
Double Angle Cutter - 60° Included	3752	27								-	-	-	-	-	-	-	-
Double Angle Cutter - 90° Included	3754	27								-	-	-	-	-	-	-	-
Shell Mill Cutter - Cast Iron	3531	27								772	-	-	5859	-	4900	-	5690
Shell Mill Cutter - Non-Ferrous	3530	27								773	-	-	5858	-	4920	-	5694
Shell Mill Cutter - Steel	3532	27								771	-	-	5860	-	4910	-	5692
Side Milling Cutter - Cast Iron	3541	26								-	-	-	5862	-	1590	-	5400
Side Milling Cutter - Non-Ferrous	3540	26								-	-	-	5861	-	1630	-	5404
Side Milling Cutter - Stainless Steel	3543	26								-	-	-	5849	-	-	-	-
Side Milling Cutter - Steel	3542	26								-	-	-	5863	-	1550	-	5401
Side Milling Cutter - Staggered Tooth - General Purpose	3547	15								-	-	-	-	-	-	-	-
Single Angle Cutter - 45° Left	3716	27								-	-	-	-	-	-	-	-
Single Angle Cutter - 45° Right	3714	27								-	-	-	-	-	-	-	-
Single Angle Cutter - 60° Left	3726	27								-	-	-	-	-	-	-	-
Single Angle Cutter - 60° Right	3724	27								-	-	-	-	-	-	-	-
Slitting Saw - Coarse Tooth - Cast Iron	3552	16								-	-	CCI	5847	-	4240	-	5406
Slitting Saw - Coarse Tooth - Non-Ferrous	3550	16								-	-	CNF	5846	-	4690	-	5407
Slitting Saw - Coarse Tooth - Stainless Steel	3558	16								-	-	GSS	5850	-	4260	-	-
Slitting Saw - Coarse Tooth - Steel	3554	16								-	-	CST	5848	-	4220	-	5405
Slitting Saw - Standard Tooth - Cast Iron	3553	17								1361	-	GPP	-	-	-	-	-
Slitting Saw - Standard Tooth - Non-Ferrous	3551	17								1361	-	GPP	-	-	-	-	-
Slitting Saw - Standard Tooth - Stainless Steel	3559	17-21								-	-	GSS	-	-	-	-	-
Slitting Saw - Standard Tooth - Steel	3556	17,22-25								1360	-	STL	-	-	-	-	-
MILLING CUTTERS - SHANK TYPE																	
TOOL SELECTOR																	
CROSS REFERENCE																	
Chamfer Cutter - 45° Single Angle - Non-Ferrous & Cast Iron	3730	12								-	-	-	-	-	-	-	-
Chamfer Cutter - 45° Single Angle - Steel	3731	12								-	-	-	-	-	-	-	-
Chamfer Cutter - 60° Single Angle - Non-Ferrous & Cast Iron	3732	12								-	-	-	-	-	-	-	-
Chamfer Cutter - 60° Single Angle - Steel	3733	12								-	-	-	-	-	-	-	-
Chamfer Cutter - 60° Double Angle - Non-Ferrous & Cast Iron	3746	12								-	-	-	-	-	-	-	-
Chamfer Cutter - 60° Double Angle - Steel	3747	12								-	-	-	-	-	-	-	-
Chamfer Cutter - 90° Double Angle - Non-Ferrous & Cast Iron	3748	12								-	-	-	-	-	-	-	-
Chamfer Cutter - 90° Double Angle - Steel	3749	12								-	-	-	-	-	-	-	-
Dovetail Cutter - 45° Single Angle - Non-Ferrous & Cast Iron	3734	13								-	-	-	-	-	-	-	-
Dovetail Cutter - 45° Single Angle - Steel	3735	13								-	-	-	-	-	-	-	-
Dovetail Cutter - 60° Single Angle - Non-Ferrous & Cast Iron	3736	13								-	-	-	-	-	-	-	-
Dovetail Cutter - 60° Single Angle - Steel	3737	13								-	-	-	-	-	-	-	-
Face Mill - Cast Iron	3537	28								-	-	-	1450/1460	-	-	-	-
Face Mill - Non-Ferrous	3536	28								-	-	-	1450/1460	-	-	-	-
Face Mill - Steel	3538	28								-	-	-	1450/1460	-	-	-	-
Keyseat Cutter - High Performance - Aluminum	3704	7								-	-	-	-	-	-	-	-
Keyseat Cutter - Staggered Tooth - Non-Ferrous & Cast Iron	3701	9								-	-	-	-	-	-	-	-
Keyseat Cutter - Staggered Tooth - Steel	3703	11								-	-	-	-	-	-	-	-
Keyseat Cutter - Straight Tooth - Non-Ferrous & Cast Iron	3700	8								-	-	-	-	-	CB444	-	-
Keyseat Cutter - Straight Tooth - Steel	3702	10								-	-	-	-	-	-	-	-
Radius Cutter - Non-Ferrous & Cast Iron	3718	12								-	-	-	-	-	-	-	-
Radius Cutter - Steel	3719	12								-	-	-	-	-	-	-	-
T-Slot Cutter - Non-Ferrous & Cast Iron	3720	13								-	-	-	-	-	-	-	-
T-Slot Cutter - Steel	3721	13								-	-	-	-	-	-	-	-
END MILLS																	
TOOL SELECTOR																	
CROSS REFERENCE																	
6° Left Spiral Flutes - Steel	3310	31								767	60LSS	-	5964	4738	-	LSEM	-
6° Right Spiral Flutes - Non-Ferrous & Cast Iron	3306	32								766	60RS-	-	5921	-	4700	RSEM	5682
6° Right Spiral Flutes - Non-Ferrous Soft - Upsharp	3307	32								-	-	-	-	-	-	-	-
6° Right Spiral Flutes - Steel	3308	31								-	60RSS	-	-	4736	-	-	-
15° Right Spiral Flutes - Cast Iron	3320	33								-	-	-	-	-	-	-	-
15° Right Spiral Flutes - Non-Ferrous & Cast Iron	3375	33								-	-	-	5692	4737	4840	HLS	5002
15° Right Spiral Flutes - Steel	3350	31								-	60GSS	-	5960	4733	4820	HES	5001
25° Right Spiral Flutes - Non-Ferrous	3325	33								-	60FS	-	5958	4731	4860	HNS	5003
25° Right Spiral Flutes - Non-Ferrous Soft - Upsharp	3327	33								-	-	-	-	-	-	-	-
Bridgeport - Reduced 3/4" Shank - Non-Ferrous & Cast Iron	3323	30								-	-	-	-	-	-	-	-
Bridgeport - Reduced 3/4" Shank - Steel	3353	30								-	-	-	-	-	-	-	-
Center Cutting - 25° Right Spiral Flutes - Non-Ferrous & Cast Iron	3318	29								-	60CS	-	5966	-	-	-	-
Center Cutting - Straight Flutes (3) - Non-Ferrous & Cast Iron	3314	29								-	60SK	-	5935	-	4800	SKM	5689
Center Cutting - Straight Flutes (3) - Steel	3312	29								-	60SKS	-	5936	-	4780	-	5688
CNC 15° Right Spiral Finishing - Non-Ferrous & Cast Iron	3322	30								-	-	-	-	-	-	-	-
CNC 15° Right Spiral Finishing - Steel	3355	30								-	-	-	-	-	-	-	-
CNC 25° Right Spiral High Performance - Non-Ferrous Soft	3337	30								-	-	-	-	-	-	-	-
Corner Rounding - Non-Ferrous & Cast Iron	3740	29								-	-	-	-	-	-	-	-
Corner Rounding - Steel	3741	29								-	-	-	-	-	-	-	-
Straight Flutes (2) - Non-Ferrous & Cast Iron	3302	32								765	60TF	-	5923	4732	4700	TFEM	5680
Straight Flutes (2) - Steel	3300	31								-	60TFS	-	5927	-	-	-	-
Straight Flutes (4/6) - Non-Ferrous & Cast Iron	3304	32								765	60EM	-	5925	4734	4750	EM	5680
Straight Flutes (4) - Non-Ferrous Soft - Upsharp	3305	32								-	-	-	-	-	-	-	-
PORT CONTOUR CUTTERS																	
TOOL SELECTOR																	
CROSS REFERENCE																	
Straight Shank	All	34	34							-	-	-	-	-	-	-	-
COUNTERBORES																	
TOOL SELECTOR																	
CROSS REFERENCE																	
3-4 Spiral Flutes - Straight Shank - Non-Ferrous & Cast Iron	3514	38	39							-	779	-	-	-	5779	SSC	5470
3-4 Spiral Flutes - Straight Shank - Steel	3510	42	43							-	-	-	-	-	-	FAC	-
3-4 Spiral Flutes - Taper Shank - Non-Ferrous & Cast Iron	3516	40	41							-	778	-	-	-	5780	TSC	5471
3-4 Spiral Flutes - Taper Shank - Steel	3511	42	43							-	-	-	-	-	-	TAC	-

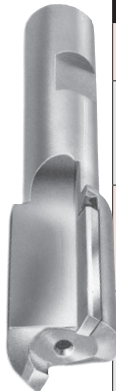
LEXINGTON CUTTER TOOL INDEX

	Tool Type	Fractional Page	Metric Page	Non-Ferrous Soft	Non-Ferrous Hard	Cast Iron	Low Carbon Steel	Mild Strength Steels	High Strength Steels	High Temp Alloys	CT	Cleveland	Fullerton	IMCO	Mercut	Morpe	RTW (Greenfield)	Union
COUNTERBORES				TOOL SELECTOR							CROSS REFERENCE							
4 Spiral Flutes - Straight Shank - Non-Ferrous & Cast Iron	3512	38	39								-	-	-	-	-	-	-	-
4 Spiral Flutes - Taper Shank - Non-Ferrous & Cast Iron	3518	40	41								-	-	-	-	-	-	-	-
Aircraft - Reduced Shank - 3 Flutes	3522	44									-	-	-	-	-	-	-	-
Capscrew	3513,15	37	37								-	-	-	-	-	-	-	-
Pilots - Interchangeable	3500	36									-	Yes	-	-	410	776	Yes	4704
Pin Drive - Non-Ferrous & Cast Iron	3573	46									-	-	-	-	200	-	-	-
Pin Drive - Steel	3574	46									-	-	-	-	-	-	-	-
Radial Drive - Non-Ferrous & Cast Iron	3577	45									-	-	-	-	-	-	-	-
Radial Drive - Steel	3578	45									-	-	-	-	-	-	-	-
Stub Taper Shank - Non-Ferrous & Cast Iron	3575	47									-	-	-	-	210	-	-	-
Stub Taper Shank - Steel	3576	47									-	-	-	-	-	-	-	-
REAMERS				TOOL SELECTOR							CROSS REFERENCE							
CNC Stub / Screw Machine - Straight or Left Spiral Flutes	3430,40	90	91								-	4701	505ML	8250	-	5669	SML	-
Coolant - Left Spiral Flutes - Through Hole - Cast Iron	3428	114									-	-	-	-	-	-	-	-
Coolant - Left Spiral Flutes - Through Hole - Non-Ferrous	3427	114									-	-	-	-	-	-	-	-
Coolant - Left Spiral Flutes - Through Hole - Steel	3429	114									-	-	-	-	-	-	-	-
Coolant - Left Spiral Flutes - Through Hole - h6 Shank - Cast Iron	3428h6	107	107								-	-	-	-	-	-	-	-
Coolant - Left Spiral Flutes - Through Hole - h6 Shank - Non-Ferrous	3427h6	107	107								-	-	-	-	-	-	-	-
Coolant - Left Spiral Flutes - Through Hole - h6 Shank - Steel	3429h6	107	107								-	-	-	-	-	-	-	-
Coolant - Right Spiral Flutes - Blind Hole - Cast Iron	3413	113									453	-	-	-	-	-	-	-
Coolant - Right Spiral Flutes - Blind Hole - Non-Ferrous	3411	113									453	-	-	-	-	-	-	-
Coolant - Right Spiral Flutes - Blind Hole - Steel	3415	113									453	-	-	-	-	-	-	-
Coolant - Right Spiral Flutes - Blind Hole - h6 Shank - Cast Iron	3413h6	106	106								-	-	-	-	-	-	-	-
Coolant - Right Spiral Flutes - Blind Hole - h6 Shank - Non-Ferrous	3411h6	106	106								-	-	-	-	-	-	-	-
Coolant - Right Spiral Flutes - Blind Hole - h6 Shank - Steel	3415h6	106	106								-	-	-	-	-	-	-	-
Coolant - Right Spiral Flutes - Cross Pin Hole Shank	3490	115									-	-	-	-	-	-	-	-
Coolant - Right Spiral Flutes - Through Hole - Cast Iron	3418	112									453A	-	-	-	-	-	-	-
Coolant - Right Spiral Flutes - Through Hole - Non-Ferrous	3417	112									453A	-	-	-	-	-	-	-
Coolant - Right Spiral Flutes - Through Hole - Steel	3419	112									453A	-	-	-	-	-	-	-
Coolant - Straight Flutes - Blind Hole - Cast Iron	3424	110	111								452	-	-	-	-	-	-	-
Coolant - Straight Flutes - Blind Hole - Non-Ferrous	3414	110	111								452	-	-	-	-	-	-	-
Coolant - Straight Flutes - Blind Hole - Steel	3434	110	111								452	-	-	-	-	-	-	-
Coolant - Straight Flutes - Blind Hole - h6 Shank - Cast Iron	3424h6	104	104								-	-	-	-	-	-	-	-
Coolant - Straight Flutes - Blind Hole - h6 Shank - Non-Ferrous	3414h6	104	104								-	-	-	-	-	-	-	-
Coolant - Straight Flutes - Blind Hole - h6 Shank - Steel	3434h6	104	104								-	-	-	-	-	-	-	-
Coolant - Straight Flutes - Through Hole - Cast Iron	3426	108	109								452A	-	-	-	-	-	-	-
Coolant - Straight Flutes - Through Hole - Non-Ferrous	3416	108	109								452A	-	-	-	-	-	-	-
Coolant - Straight Flutes - Through Hole - Steel	3435	108	109								452A	-	-	-	-	-	-	-
Coolant - Straight Flutes - Through Hole - h6 Shank - Cast Iron	3426h6	105	105								-	-	-	-	-	-	-	-
Coolant - Straight Flutes - Through Hole - h6 Shank - Non-Ferrous	3416h6	105	105								-	-	-	-	-	-	-	-
Coolant - Straight Flutes - Through Hole - h6 Shank - Steel	3435h6	105	105								-	-	-	-	-	-	-	-
Dowel Pin Size - Regular & Jobbers Drill Length	3476,77	61									450	-	-	8003	-	-	-	-
Dowel Pin Size - Straight Flute Long Carbide - Straight Shank - Steel	3486	79									-	-	-	-	-	-	-	-
Expansion - Straight Flute Long Carbide - Straight Shank	3465	86	87								490	-	50ES	8500	-	5733	ESR	5531
Expansion - Straight Flute Long Carbide - Taper Shank	3467	88	89								495	-	50ET	8510	-	5734	ETR	5532
NAS 897 - Expansion - Straight Shank - Cast Iron	3466	102									-	704	-	-	-	-	-	-
NAS 897 - Expansion - Straight Shank - Non-Ferrous	3464	102									-	704	-	-	-	-	-	-
NAS 897 - Expansion - Straight Shank - Steel	3468	102									-	704	-	-	-	-	-	-
NAS 897 - Expansion - Taper Shank - Cast Iron	3462	103									-	716	-	-	-	-	-	-
NAS 897 - Expansion - Taper Shank - Non-Ferrous	3461	103									-	716	-	-	-	-	-	-
NAS 897 - Expansion - Taper Shank - Steel	3463	103									-	716	-	-	-	-	-	-
NAS 897 - Left Spiral Flute Long Carbide - Straight Shank - Cast Iron	3483	99									-	-	-	-	-	-	-	-
NAS 897 - Left Spiral Flute Long Carbide - Straight Shank - Non-Ferrous	3482	99									-	-	-	-	-	-	-	-
NAS 897 - Left Spiral Flute Long Carbide - Straight Shank - Steel	3484	99									-	-	-	-	-	-	-	-
NAS 897 - Left Spiral Flutes - Straight Shank - Cast Iron	3437	101									-	4709	-	-	-	-	-	-
NAS 897 - Left Spiral Flutes - Straight Shank - Non-Ferrous	3433	101									-	4709	-	-	-	-	-	-
NAS 897 - Left Spiral Flutes - Straight Shank - Steel	3439	101									-	4709	-	-	-	-	-	-
NAS 897 - Right Spiral Flute Long Carbide - Straight Shank - Cast Iron	3443	98									-	-	-	-	-	-	-	-
NAS 897 - Right Spiral Flute Long Carbide - Straight Shank - Non-Ferrous	3442	98									-	-	-	-	-	-	-	-
NAS 897 - Right Spiral Flute Long Carbide - Straight Shank - Steel	3444	98									-	-	-	-	-	-	-	-
NAS 897 - Right Spiral Flutes - Straight Shank - Cast Iron	3436	100									-	4711	-	-	-	-	-	-
NAS 897 - Right Spiral Flutes - Straight Shank - Non-Ferrous	3432	100									-	4711	-	-	-	-	-	-
NAS 897 - Right Spiral Flutes - Straight Shank - Steel	3438	100									-	4711	-	-	-	-	-	-
NAS 897 - Straight Flute Long Carbide - Straight Shank - Cast Iron	3458	94	95								-	-	-	-	-	-	-	-
NAS 897 - Straight Flute Long Carbide - Straight Shank - Non-Ferrous	3457	94	95								-	-	-	-	-	-	-	-
NAS 897 - Straight Flute Long Carbide - Straight Shank - Steel	3459	94	95								-	-	-	-	-	-	-	-
NAS 897 - Straight Flute Long Carbide - Taper Shank - Cast Iron	3454	97									-	-	-	-	-	-	-	-
NAS 897 - Straight Flute Long Carbide - Taper Shank - Non-Ferrous	3453	97									-	-	-	-	-	-	-	-
NAS 897 - Straight Flute Long Carbide - Taper Shank - Steel	3455	97									-	-	-	-	-	-	-	-
NAS 897 - Straight Flutes - Straight Shank - Cast Iron	3408	92	93								-	4703	-	-	-	-	-	-
NAS 897 - Straight Flutes - Straight Shank - Non-Ferrous	3407	92	93								-	4703	-	-	-	-	-	-
NAS 897 - Straight Flutes - Straight Shank - Steel	3409	92	93								-	4703	-	-	-	-	-	-
NAS 897 - Straight Flutes - Taper Shank - Cast Iron	3473	96									-	4715	-	-	-	-	-	-
NAS 897 - Straight Flutes - Taper Shank - Non-Ferrous	3472	96									-	4715	-	-	-	-	-	-
NAS 897 - Straight Flutes - Taper Shank - Steel	3474	96									-	4715	-	-	-	-	-	-
Over & Under Size - Regular & Jobbers Drill Length	3478,79	61									-	-	-	8002	-	-	-	-
Over & Under Size - Straight Flute Long Carbide - Straight Shank - Steel	3488	79									-	-	-	-	-	-	-	-
Semi-Finished	ALL	69									-	-	-	Yes	-	Yes	Yes	-
Shell Reamer - Arbors	3481	116									-	-	-	-	-	-	-	-

LEXINGTON CUTTER TOOL INDEX

	Tool Type	Fractional Page	Metric Page	Non-Ferrous Soft	Non-Ferrous Hard	Cast Iron	Low Carbon Steel	Med. Strength Steels	High Strength Steels	High Temp Alloys	CT	Cleveland	Fullerton	IMCO	Metcut	Morse	RTW (Greenleaf)	Union	
REAMERS - Cont.				TOOL SELECTOR							CROSS REFERENCE								
Shell Reamer - Left Spiral Flutes	3441	116																	
Shell Reamer - Straight Flutes	3431	117														5625			5910
Solid Carbide - Left Spiral Flutes	3822, 23	51											1410L						
Solid Carbide - Right Spiral Flutes	3812, 13	51										1711	1410R					1200R	
Solid Carbide - Straight Flutes - Short Series	3804	54-58	54									1730	1400	R10	5661			1200	5760
Solid Carbide - Straight Flutes - .0005 Increments	3804	55-58	54																
Solid Carbide - Straight Flutes - Cast Iron & Steel	3802	50										1730	1410					1200	
Solid Carbide - Straight Flutes - Non-Ferrous	3803	50										1730	1410					1200	
Solid Carbide - Straight Flutes - Wire & Letter	3804	54											1400	R10					
Solid Carbide - Coolant - Left Spiral Flutes - Through Hole	3828, 29	53																	
Solid Carbide - Coolant - Right Spiral Flutes - Blind Hole	3816, 17	53																	
Solid Carbide - Coolant - Straight Flutes - Blind Hole	3806, 07	52																	
Solid Carbide - Coolant - Straight Flutes - Through Hole	3808, 09	52																	
Solid Carbide Head - Left Spiral Flutes - Cast Iron & Steel	3820	49, 51											1450L						
Solid Carbide Head - Left Spiral Flutes - Non-Ferrous	3821	49, 51											1450L						
Solid Carbide Head - Right Spiral Flutes - Cast Iron & Steel	3810	49, 51											1450R					1300R	
Solid Carbide Head - Right Spiral Flutes - Non-Ferrous	3811	49, 51											1450R					1300R	
Solid Carbide Head - Straight Flutes - Cast Iron & Steel	3800	48, 50											1450	9500				1300	
Solid Carbide Head - Straight Flutes - Non-Ferrous	3801	48, 50											1450	9500				1300	
Spiral Flutes Left - Straight & Taper Shank	3420, 22	83, 85	84											50SL	8030	5651		SLSR	5960
Spiral Flutes Right - Straight & Taper Shank	3410, 12	82, 85	84								470		50SR	8020	5653			SRSR	5961
Step Reamer - Left Spiral Flutes	All	126																	
Step Reamer - Right Spiral Flutes	All	125																	
Step Reamer - Straight Flutes	All	124																	
Straight Flute Long Carbide - Straight Shank	3450	72	73								480		50SF	8100	5659			SFR	
Straight Flute Long Carbide - Straight Shank - .0005 Increments	3450	74-76																	
Straight Flute Long Carbide - Straight Shank - Steel	3480	78-79	77																
Straight Flute Long Carbide - Taper Shank	3452	80	81																TFR
Straight Flutes - Straight Shank	3400	62-63	64								450	4703	50SS	RT10	5655			SSR	5950
Straight Flutes - Straight Shank - .0005 Increments	3400	65-68												RT10					
Straight Flutes - Straight Shank - Jobbers Drill Length	3401	60																	
Straight Flutes - Taper Shank	3402	70	71									4715	50TS	8010	5656			TSR	5955
Variable Length - Coolant - Left Spiral Flute Long Carbide	All	123																	
Variable Length - Coolant - Right Spiral Flute Long Carbide	All	121																	
Variable Length - Coolant - Straight Flute Long Carbide	All	119																	
Variable Length - Left Spiral Flute Long Carbide	All	122																	
Variable Length - Right Spiral Flute Long Carbide	All	120																	
Variable Length - Straight Flute Long Carbide	All	118																	
Wire & Letter - Straight Flutes - Straight Shank	3400	63																	
DRILLS				TOOL SELECTOR							CROSS REFERENCE								
Aircraft Extension - 6" & 12" OAL	3610, 11	140									129								
CNC Spotting / Centering	All	151																	
Coolant Straight Flutes - Extra Long Length - 125° 4 Facet Point	3658	141									172								
Coolant Straight Flutes - Long Length - 125° 4 Facet Point	3650	142	143								170								
Coolant Straight Flutes - Short Length - 125° 4 Facet Point	3652	142	143								171	2758							
Coolant Twist - Long Length - 125° 4 Facet Point	3656	144									290								
Coolant Twist - Long Length - 135° Split Point	3657	144																	
Coolant Twist - Stub Length - 125° 4 Facet Point	3654	144	145								295								
Coolant Twist - Stub Length - 135° Split Point	3655	144	145								296								
Core Drill - 4 Flutes - Straight Shank - Non-Ferrous & Cast Iron	3620	146	147													5456			
Core Drill - 4 Flutes - Straight Shank - Steel	3621	148	149																
Core Drill - 4 Flutes - Taper Shank - Non-Ferrous & Cast Iron	3622	146	147								410	2738		8850	5454		CD	5592	
Core Drill - 4 Flutes - Taper Shank - Steel	3623	148	149																
Die Drill - Hard Steel - Reduced Shank	3670, 72	138, 150	137																
Die Drills - Hard Steel, Spade, Solid Carbide (3893)	3670-75	138-139	137												5423	D000	HD		
High Speed Steel Colbalt Jobbers Length - 118° Point	3699	141																	
Jobbers Length Twist - 118° Point	3600	130	131								120	2727	40CT	DT20	5330	D444	CTD	5249	
Jobbers Length Twist - 118° Point - Reduced Shank	3600	150																	
Jobbers Length Twist - 118° Point - Tanged	3690	129																	
Jobbers Length Twist - 135° Split Point	3601	130	131								125								
Jobbers Length Twist - 135° Split Point - Reduced Shank	3601	150																	
Jobbers Length Twist - 135° Point - Tanged	3691	129																	
Silver & Deming - 118° Point	3616	151									163								
Silver & Deming - 135° Split Point	3618	151																	
Solid Carbide - Jobbers Length Twist - 118° Point	3860	128												D20					
Stub Length Twist - 118° Point	3640	134	135								110			DT21					
Stub Length Twist - 118° Point - Reduced Shank	3640	150																	
Stub Length Twist - 135° Split Point	3641	134	135								115								
Stub Length Twist - 135° Split Point - Reduced Shank	3641	150																	
Taper Length Twist - 118° Point	3630	132	133								130	2745	40TL	DT22	5314	D555	TLD	5520	
Taper Length Twist - 135° Split Point	3631	132	133																
Taper Shank Twist - 118° Point	3660	136									140	2740	40TLT	6850	5302	D999	TSD	5380	
Taper Shank Twist - 118° Point - Smaller Taper Size	3668	136																	
Taper Shank Twist - 135° Split Point	3661	136	137																
MISCELLANEOUS				TOOL SELECTOR							CROSS REFERENCE								
COUNTERSINKS	All	28										791/793							
SINGLE POINTS	All	152-153																	
Coating Guide		157																	
Specials Quote Forms		15, 154																	
Problem Solving Guide		5																	

CARBIDE TIPPED TOOL PROBLEM SOLVING GUIDE



DRILLING PROBLEMS	POSSIBLE CAUSES	POSSIBLE SOLUTIONS
1. Rough finish	Dull cutting edge Wrong feeds & speeds	Resharpen to original tool geometry. Increase speed — also try reduced feed.
2. Excessive cutting edge wear	Wrong feeds & speeds Rough cutting edge Insufficient coolant	Increase feed (should always be over .001" per tooth) — especially when machining ductile or free machining materials. Also try reduced speed. Lightly hone cutting edge with fine grit diamond hone. Increase coolant flow — review type of coolant.
3. Chipped cutting edge	Poor chip removal Recutting work hardened chips Vibration Incorrect carbide grade	Use tool with larger flute space — larger diameter or fewer flutes. Increase coolant flow. Increase rigidity of set-up, especially worn tool holders or arbors. Change to tougher carbide grade.
4. Chatter marks	Insufficient machine horsepower Vibration	Use tool with fewer flutes as correct speeds & feeds must be maintained. Consider climb milling. User larger diameter cutter. Resharpen tool with more clearance.
5. Glazed finish	Feed to light Dull cutting edge Insufficient clearance	Increase feed. Resharpen tool to original geometry. Resharpen tool with more clearance.
6. Poor tool life	Excessive cratering Milling abrasive material Milling hard material Insufficient chip room Milling surface scale Delayed resharpening Thermal cracked carbide	Increase speed or decrease feed. Change to harder grade of carbide. Decrease speed and increase feed. Increase coolant flow. Climb milling better than conventional milling. Reduce speed — rigidity very important. Use larger diameter tool. Conventional milling better than climb milling. Prompt resharpening to original geometry will increase total tool life. Maintain adequate coolant flow at all times. Climb milling is cooler than conventional milling.



MILLING PROBLEMS	POSSIBLE CAUSES	POSSIBLE SOLUTIONS
1. Chipped cutting edge	Excessive feed Excessive lip relief Variation Thermal cracked carbide	Reduce feed. Reduce lip relief to provide smaller chisel angle. Frequently a worn drill bushing — REPLACE. Maintain adequate coolant flow at all times.
2. Short tool life	Drill dwelling Only one lip cutting	Maintain adequate feed at all times. Regrind with equal lip heights and chisel in center.
3. Drill walks or drifts	Unequal lip heights Worn drilling bushing	Regrind with equal lip heights and chisel in center. Replace drill bushing.
4. Oversized holes	Unequal lip heights Excessive lip relief Worn drill bushing	Regrind with equal lip heights and chisel in center. Reduce lip relief to provide smaller chisel angle. Replace drill bushing.
5. Rough finish	Dull cutting Inadequate coolant	Regrind with fine grit diamond wheel. Review type of coolant and maintain adequate flow.



REAMING PROBLEMS	POSSIBLE CAUSES	POSSIBLE SOLUTIONS
1. Poor finish	Unequal chamfers Incorrect margins Excessive spindle runout Chatter Insufficient cutting action	Regrind reamer with equal chamfer height. Regrind reamer with correct margin for material being machined. Increase reamer back taper (to lose size faster). Increase speed and reduce feed rate. Use power feed unless material is hard. Use right or left spiral fluted reamer. Grind secondary lead angle immediately behind 45° chamfer. Specify reamer with positive radial rake to reduce cutting pressure — may produce slightly larger diameter holes.
2. Oversized holes or tapered holes or bell mouthed holes	Misalignment Incorrect feed and/or speed	Use bushing — .0002"/.0003" over reamer diameter. If hole location varies, use floating reamer holder. Increase reamer back taper (to lose size faster). Verify correct feeds & speeds.
3. Excessive tool wear	Insufficient stock removal Excessive reaming pressure Misalignment	Decrease previous operation drill size to allow more material for removal by reamer — leave 2% - 3% of tool diameter for cast iron and more stock for non-ferrous materials. Decrease feed rate. Reduce stock to be removed by increasing previous operation drill size — leave 2% - 3% of the tool diameter. See solution for "Misalignment" in #2 above.
4. Crooked holes	Drill walking or incorrect sharpening	Correct previous drilling operation — reamer will follow the drilled hole. Increase reamer attack angle (chamfer) to 120° - 180° included angle.
5. Tool breakage	Excessive reaming pressure Misalignment	See solution for "Excessive reaming pressure" in #3 above. See solution for "Misalignment" in #2 above.

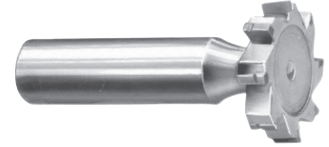
FEEDS & SPEEDS CHART FOR KEYSEATS - CARBIDE TIPPED

Feeds & speeds are a starting recommendation for catalog standards only. Factors such as machine, fixture and tooling rigidity, horse-power available, coolant application and others will affect the performance significantly. Please read machine operators instructions and use all safety shields and glasses before performing these operations. (Series 3700, 3701, 3702, & 3703 Keyseat Cutters)

IPM is based on catalog standards only using the mid SFPM and a 0.002 IPT chip load as a starting point. For all other conditions use the following formulas to calculate RPM and IPM from the ranges listed in the material group and brinell harness section as a starting point.

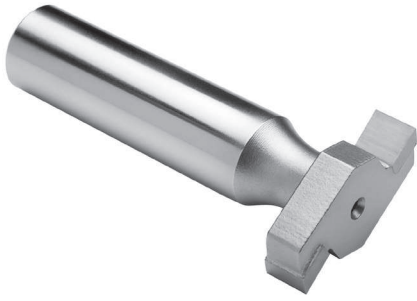
$$\text{RPM} = \text{SFPM} * 3.82 / \text{Cutter Diameter}$$

$$\text{IPM} = \text{IPT} * \text{RPM} * \# \text{Teeth}$$



CLASSIFICATION	MATERIAL	BRINELL	SPEED IN SFPM	FEED RATE IPT	KEYSEAT CUTTER DIAMETER									
					1/2	5/8	3/4	7/8	1	1 1/8	1 1/4	1 3/8	1 1/2	
					IPM	IPM	IPM	IPM	IPM	IPM	IPM	IPM	IPM	
NON-FERROUS (SOFT)	ALUMINUM ALLOY - WROUGHT	30-150**	1200+	.002-.010	110	88	73	63	73	65	59	53	49	
	MAGNESIUM ALLOY	50-90**	1000+	.002-.010	92	73	61	52	61	54	49	44	41	
	LEAD ALLOY	10-20**	-	-	-	-	-	-	-	-	-	-	-	
	NON-METAL AND PLASTIC	-	1500+	.002-.006	138	110	92	79	92	81	73	67	61	
	ZINC ALLOY - DIE CAST	80-100	750-1000	.002-.006	80	64	53	46	53	48	43	39	36	
NON-FERROUS (HARD)	ALUMINUM BRONZE	40-175	200-600	.002-.006	37	29	24	21	24	22	20	18	16	
	BRASS ALLOY - LEADED AND FREE CUTTING	10-100Rb	400-550	.002-.006	44	35	29	25	29	26	23	21	19	
	NICKEL SILVER	10-100Rb	200-400	.002-.006	28	22	18	16	18	16	15	13	12	
	COPPER ALLOY - TOUGH	40-200**	200-500	.002-.006	32	26	21	18	21	19	17	16	14	
CAST IRON	DUCTILE CAST IRON - AUSTENITIC	120-275	75-150	.002-.004	10	8	7	6	7	6	6	5	5	
	DUCTILE CAST IRON - FERRITIC	140-270	200-400	.002-.007	28	22	18	16	18	16	15	13	12	
	DUCTILE CAST IRON - MARTENSITIC	270-440	150-350	.002-.007	23	18	15	13	15	14	12	11	10	
	GRAY - PEARLITIC	220-320	150-300	.002-.007	21	17	14	12	14	12	11	10	9	
	GRAY - FERRITIC	110-240	220-410	.002-.006	29	23	19	17	19	17	15	14	13	
	MALLEABLE CAST IRON - MARTENSITIC	200-320	130-300	.002-.004	20	16	13	11	13	12	11	10	9	
LOW CARBON STEELS	LOW AND MEDIUM CARBON STEEL - FREE MACHINING	100-250	200-500	.001-.005	32	26	21	18	21	19	17	16	14	
	LOW AND MEDIUM CARBON STEEL - WROUGHT	100-375	200-400	.001-.005	28	22	18	16	18	16	15	13	12	
MEDIUM STRENGTH STEELS	LOW AND MEDIUM CARBON ALLOY STEEL - FREE MACHINING	100-275	200-400	.001-.005	28	22	18	16	18	16	15	13	12	
	LOW AND MEDIUM CARBON ALLOY STEEL	85-375	130-330	.001-.005	21	17	14	12	14	12	11	10	9	
	STAINLESS STEEL - 400 SERIES	135-325	135-375	.002-.005	24	19	16	14	16	14	13	12	11	
	STAINLESS STEEL - 400 SERIES FREE MACHINING	135-275	250-500	.002-.005	34	28	23	20	23	20	18	17	15	
HIGH STRENGTH STEELS	HIGH STRENGTH STEEL - WROUGHT & TOOL STEEL	175-400	75-200	.001-.004	13	28	23	20	23	20	18	17	15	
HIGH TEMP. ALLOYS	HIGH TEMP ALLOYS NICKEL & IRON BASE ALLOY	140-300	50-150	.001-.004	9	7	6	5	6	5	5	4	4	
	STAINLESS STEEL - 300 SERIES	135-375	75-175	.001-.004	11	9	8	7	8	7	6	6	5	
	STAINLESS STEEL - PH SERIES	150-440	75-175	.001-.004	11	9	8	7	8	7	6	6	5	
	TITANIUM ALLOY	110-380	75-200	.002-.006	13	10	8	7	8	7	7	6	6	

CARBIDE TIPPED HIGH PERFORMANCE KEYSEAT CUTTERS FOR ALUMINUM



TYPE 3704 - HIGH PERFORMANCE - FOR ALUMINUM

Carbide tips brazed to hardened alloy steel bodies.

Designed specifically for the aluminum industry. Tools have a high volume flute capacity for higher speeds and feeds and better finishes. The tool geometry includes clearance for cutting on all three surfaces. Used for milling, slotting, grooving, snap rings, and O-rings. Also used in circular interpolation of spot facing, back spot facing, and counterboring. Starting point for aluminum slotting: 1K - 4K SFPM, .002 - .008 IPT. Reduce SFPM and IPT by 25% for widths under .0938.

Up to 1 1/2" diameter: 1/2" shank.
 1 3/4" diameter thru 2 1/2": 3/4" shank.
 Face width tolerance: +.0005"/-.0005".
 Tool diameter tolerance: +.020"/+.015".

AMERICAN STANDARD NO.	TOOL DIAM.	WIDTH	NO. OF TEETH	NECK DIAM.	OAL	EDP NO.	PRICE EACH	DECIMAL SIZE RANGE
-	5/8	1/16	2	.160	2 1/16	37042002	\$157.45	.0575 - .0787
305	5/8	3/32	2	.191	2 3/32	37040305	157.45	.0788 - .1099
405	5/8	1/8	2	.223	2 1/8	37040405	157.45	.1100 - .1400
505	5/8	5/32	2	.252	2 5/32	37040505	157.45	.1401 - .1713
605	5/8	3/16	2	.279	2 3/16	37040605	157.45	.1714 - .2025
-	5/8	7/32	2	.342	2 7/32	37042007	157.45	.2026 - .2339
-	5/8	1/4	2	.342	2 1/4	37042008	157.45	.2340 - .2650
-	3/4	1/16	2	.160	2 1/16	37042402	165.30	.0575 - .0787
-	3/4	3/32	2	.191	2 3/32	37042403	165.30	.0788 - .1099
406	3/4	1/8	2	.217	2 1/8	37040406	165.30	.1100 - .1400
506	3/4	5/32	2	.246	2 5/32	37040506	165.30	.1401 - .1713
606	3/4	3/16	2	.279	2 3/16	37040606	165.30	.1714 - .2025
-	3/4	7/32	2	.342	2 7/32	37042407	165.30	.2026 - .2339
806	3/4	1/4	2	.342	2 1/4	37040806	165.30	.2340 - .2650
-	7/8	1/16	2	.160	2 1/16	37042802	177.20	.0575 - .0787
-	7/8	3/32	2	.191	2 3/32	37042803	177.20	.0788 - .1099
-	7/8	1/8	2	.217	2 1/8	37042804	177.20	.1100 - .1400
507	7/8	5/32	2	.246	2 5/32	37040507	177.20	.1401 - .1713
607	7/8	3/16	2	.279	2 3/16	37040607	177.20	.1714 - .2025
707	7/8	7/32	2	.312	2 7/32	37040707	177.20	.2026 - .2339
807	7/8	1/4	2	.342	2 1/4	37040807	177.20	.2340 - .2650
-	1	3/32	2	.191	2 3/32	37043203	187.00	.0788 - .1088
-	1	1/8	2	.217	2 1/8	37043204	187.00	.1089 - .1400
-	1	5/32	2	.246	2 5/32	37043205	187.00	.1401 - .1713
608	1	3/16	2	.279	2 3/16	37040608	187.00	.1714 - .2025
708	1	7/32	2	.312	2 7/32	37040708	187.00	.2026 - .2339
808	1	1/4	2	.342	2 1/4	37040808	187.00	.2340 - .2650
-	1	9/32	2	.401	2 9/32	37043209	187.00	.2651 - .2968
1008	1	5/16	2	.401	2 5/16	37041008	187.00	.2969 - .3281
-	1	11/32	2	.467	2 11/32	37043211	187.00	.3282 - .3593
1208	1	3/8	2	.467	2 3/8	37041208	187.00	.3594 - .3900
-	1 1/8	3/32	2	.217	2 3/32	37043603	187.00	.0788 - .1088
-	1 1/8	1/8	2	.246	2 1/8	37043604	187.00	.1089 - .1400
-	1 1/8	5/32	2	.279	2 5/32	37043605	187.00	.1401 - .1713
609	1 1/8	3/16	2	.312	2 3/16	37040609	187.00	.1714 - .2025
709	1 1/8	7/32	2	.342	2 7/32	37040709	187.00	.2026 - .2339
809	1 1/8	1/4	2	.374	2 1/4	37040809	187.00	.2340 - .2650
-	1 1/8	9/32	2	.435	2 9/32	37043609	187.00	.2651 - .2968
1009	1 1/8	5/16	2	.435	2 5/16	37041009	187.00	.2969 - .3281
-	1 1/8	11/32	2	.467	2 11/32	37043611	187.00	.3282 - .3593
-	1 1/8	3/8	2	.467	2 3/8	37043612	187.00	.3594 - .3900
-	1 1/4	3/32	3	.217	2 3/32	37044003	196.80	.0788 - .1088
-	1 1/4	1/8	3	.246	2 1/8	37044004	196.80	.1089 - .1400
-	1 1/4	5/32	3	.279	2 5/32	37044005	196.80	.1401 - .1713
610	1 1/4	3/16	3	.312	2 3/16	37040610	196.80	.1714 - .2025
710	1 1/4	7/32	3	.342	2 7/32	37040710	196.80	.2026 - .2339
810	1 1/4	1/4	3	.374	2 1/4	37040810	196.80	.2340 - .2650
-	1 1/4	9/32	3	.435	2 9/32	37044009	196.80	.2651 - .2968
1010	1 1/4	5/16	3	.435	2 5/16	37041010	196.80	.2969 - .3281
-	1 1/4	11/32	3	.467	2 11/32	37044011	196.80	.3282 - .3593
1210	1 1/4	3/8	3	.467	2 3/8	37041210	196.80	.3594 - .3900

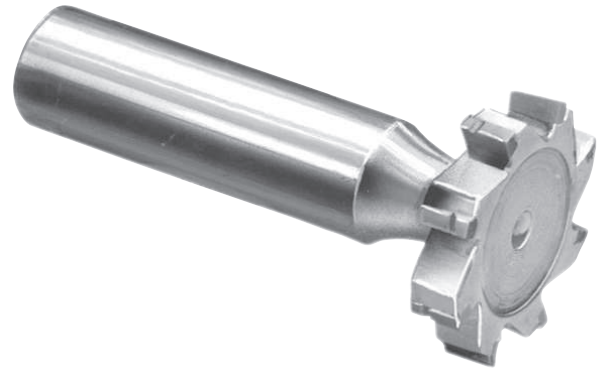
AMERICAN STANDARD NO.	TOOL DIAM.	WIDTH	NO. OF TEETH	NECK DIAM.	OAL	EDP NO.	PRICE EACH	DECIMAL SIZE RANGE
-	1 3/8	3/32	3	.312	2 3/32	37044403	\$216.45	.0788 - .1088
-	1 3/8	1/8	3	.342	2 1/8	37044404	216.45	.1089 - .1400
-	1 3/8	5/32	3	.374	2 5/32	37044405	216.45	.1401 - .1713
-	1 3/8	3/16	3	.401	2 3/16	37044406	216.45	.1714 - .2025
-	1 3/8	7/32	3	.401	2 7/32	37044407	216.45	.2026 - .2339
811	1 3/8	1/4	3	.401	2 1/4	37040811	216.45	.2340 - .2650
-	1 3/8	9/32	3	.467	2 9/32	37044409	216.45	.2651 - .2968
1011	1 3/8	5/16	3	.467	2 5/16	37041011	216.45	.2969 - .3281
-	1 3/8	11/32	3	.467	2 11/32	37044411	216.45	.3282 - .3593
1211	1 3/8	3/8	3	.467	2 3/8	37041211	216.45	.3594 - .3900
-	1 1/2	3/32	3	.435	2 3/32	37044803	246.05	.0788 - .1088
-	1 1/2	1/8	3	.435	2 1/8	37044804	246.05	.1089 - .1400
-	1 1/2	5/32	3	.435	2 5/32	37044805	246.05	.1401 - .1713
-	1 1/2	3/16	3	.435	2 3/16	37044806	246.05	.1714 - .2025
-	1 1/2	7/32	3	.435	2 7/32	37044807	246.05	.2026 - .2339
812	1 1/2	1/4	3	.435	2 1/4	37040812	246.05	.2340 - .2650
-	1 1/2	9/32	3	.467	2 9/32	37044809	246.05	.2651 - .2968
1012	1 1/2	5/16	3	.467	2 5/16	37041012	246.05	.2969 - .3281
-	1 1/2	11/32	3	.467	2 11/32	37044811	246.05	.3282 - .3593
1212	1 1/2	3/8	3	.467	2 3/8	37041212	295.15	.3594 - .3900
-	1 1/2	13/32	3	.467	2 13/32	37044813	295.15	.3901 - .4219
-	1 1/2	7/16	3	.467	2 7/16	37044814	295.15	.4220 - .4531
-	1 1/2	15/32	3	.467	2 15/32	37044815	295.15	.4532 - .4843
-	1 1/2	1/2	3	.467	2 1/2	37044816	295.15	.4844 - .5150
-	1 3/4	1/8	4	.718	3 1/8	37045604	271.55	.1089 - .1400
-	1 3/4	5/32	4	.718	3 5/32	37045605	271.55	.1401 - .1713
-	1 3/4	3/16	4	.718	3 3/16	37045606	271.55	.1714 - .2025
-	1 3/4	7/32	4	.718	3 7/32	37045607	271.55	.2026 - .2339
-	1 3/4	1/4	4	.718	3 1/4	37045608	271.55	.2340 - .2650
-	1 3/4	9/32	4	.718	3 9/32	37045609	271.55	.2651 - .2968
-	1 3/4	5/16	4	.718	3 5/16	37045610	271.55	.2969 - .3281
-	1 3/4	11/32	4	.718	3 11/32	37045611	271.55	.3282 - .3593
-	1 3/4	3/8	4	.718	3 3/8	37045612	318.90	.3594 - .3900
-	1 3/4	13/32	4	.718	3 13/32	37045613	318.90	.3901 - .4219
-	1 3/4	7/16	4	.718	3 7/16	37045614	318.90	.4220 - .4531
-	1 3/4	15/32	4	.718	3 15/32	37045615	318.90	.4532 - .4843
-	1 3/4	1/2	4	.718	3 1/2	37045616	318.90	.4844 - .5150
-	2	1/8	4	.718	3 1/8	37046404	314.85	.1089 - .1400
-	2	5/32	4	.718	3 5/32	37046405	314.85	.1401 - .1713
-	2	3/16	4	.718	3 3/16	37046406	314.85	.1714 - .2025
-	2	7/32	4	.718	3 7/32	37046407	314.85	.2026 - .2339
-	2	1/4	4	.718	3 1/4	37046408	314.85	.2340 - .2650
-	2	9/32	4	.718	3 9/32	37046409	314.85	.2651 - .2968
-	2	5/16	4	.718	3 5/16	37046410	314.85	.2969 - .3281
-	2	11/32	4	.718	3 11/32	37046411	314.85	.3282 - .3593
-	2	3/8	4	.718	3 3/8	37046412	364.15	.3594 - .3900
-	2	13/32	4	.718	3 13/32	37046413	364.15	.3901 - .4219
-	2	7/16	4	.718	3 7/16	37046414	364.15	.4220 - .4531
-	2	15/32	4	.718	3 15/32	37046415	364.15	.4532 - .4843
-	2	1/2	4	.718	3 1/2	37046416	364.15	.4844 - .5150

CARBIDE TIPPED STRAIGHT TOOTH KEYSEAT CUTTERS FOR NON-FERROUS & CAST IRON

TYPE 3700 - STRAIGHT TOOTH

Carbide tips brazed to hardened alloy steel bodies.

Fast cutting to close tolerance with longer tool life. For milling slots in cast iron, non-ferrous metals, plastics and non-metals. Chip breakers are on all cutters $\frac{5}{32}$ " and greater width. Decimal size cutters DO NOT have chip breakers.

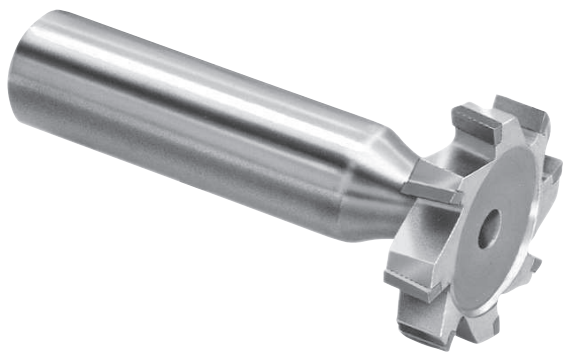


Tool diameter tolerance: $+.020"/+.015"$.
Face width tolerance: $+.0000"/-.0005"$.
Straight shank: $\frac{1}{2}$ " diameter, 2" long.

AMERICAN STANDARD NO.	TOOL DIAM.	NO. OF TEETH	WIDTH	NECK DIAM.	OVERALL LENGTH	EDP NO.	PRICE EACH	DECIMAL SIZE RANGE	PRICE EACH - FINISHED TO DECIMAL SIZE					
									1 PC.	2 PC.	3 PC.	4 PC.	5-7	8-14*
204	1/2	6	1/16	.130	2 1/16	37000204	\$128.45	.0575 -.0787	\$172.95	\$153.75	\$147.35	\$144.25	\$141.00	\$138.30
304	1/2	6	3/32	.160	2 3/32	37000304	128.45	.0788 -.1088	172.95	153.75	147.35	144.25	141.00	138.30
404	1/2	6	1/8	.191	2 1/8	37000404	128.45	.1089 -.1400	172.95	153.75	147.35	144.25	141.00	138.30
305	5/8	6	3/32	.191	2 3/32	37000305	133.05	.0788 -.1088	177.80	158.55	152.10	149.00	145.75	143.15
405	5/8	6	1/8	.223	2 1/8	37000405	133.05	.1089 -.1400	177.80	158.55	152.10	149.00	145.75	143.15
505	5/8	6	5/32	.252	2 5/32	37000505	133.05	.1401 -.1713	177.80	158.55	152.10	149.00	145.75	143.15
605	5/8	6	3/16	.279	2 3/16	37000605	133.05	.1714 -.2025	177.80	158.55	152.10	149.00	145.75	143.15
406	3/4	6	1/8	.217	2 1/8	37000406	138.90	.1100 -.1400	183.85	164.70	158.20	155.15	151.90	149.20
506	3/4	6	5/32	.246	2 5/32	37000506	138.90	.1401 -.1713	183.85	164.70	158.20	155.15	151.90	149.20
606	3/4	6	3/16	.279	2 3/16	37000606	138.90	.1714 -.2025	183.85	164.70	158.20	155.15	151.90	149.20
-	3/4	6	1/2	.342	2 7/32	37002407	152.10	.2026 -.2339	183.85	164.70	158.20	155.15	151.90	149.20
806	3/4	6	1/4	.342	2 1/4	37000806	138.90	.2340 -.2650	183.85	164.70	158.20	155.15	151.90	149.20
507	7/8	6	5/32	.246	2 5/32	37000507	145.45	.1401 -.1713	190.75	171.55	165.10	162.05	158.80	156.10
607	7/8	6	3/16	.279	2 3/16	37000607	145.45	.1714 -.2025	190.75	171.55	165.10	162.05	158.80	156.10
707	7/8	6	7/32	.312	2 7/32	37000707	145.45	.2026 -.2339	190.75	171.55	165.10	162.05	158.80	156.10
807	7/8	6	1/4	.342	2 1/4	37000807	145.45	.2340 -.2650	190.75	171.55	165.10	162.05	158.80	156.10
608	1	8	3/16	.279	2 3/16	37000608	164.05	.1714 -.2025	210.30	191.05	184.60	181.50	178.25	175.65
708	1	8	7/32	.312	2 7/32	37000708	164.05	.2026 -.2339	210.30	191.05	184.60	181.50	178.25	175.65
808	1	8	1/4	.342	2 1/4	37000808	164.05	.2340 -.2650	210.30	191.05	184.60	181.50	178.25	175.65
-	1	8	9/32	.401	2 9/32	37003209	179.70	.2651 -.2968	210.30	191.05	184.60	181.50	178.25	175.65
1008	1	8	5/16	.401	2 5/16	37001008	164.05	.2969 -.3281	210.30	191.05	184.60	181.50	178.25	175.65
-	1	8	11/32	.467	2 11/32	37003211	179.70	.3282 -.3593	210.30	191.05	184.60	181.50	178.25	175.65
1208	1	8	3/8	.467	2 3/8	37001208	164.05	.3594 -.3900	210.30	191.05	184.60	181.50	178.25	175.65
609	1 1/8	8	3/16	.312	2 3/16	37000609	172.35	.1714 -.2025	218.90	199.75	193.30	190.15	186.90	184.30
709	1 1/8	8	7/32	.342	2 7/32	37000709	172.35	.2026 -.2339	218.90	199.75	193.30	190.15	186.90	184.30
809	1 1/8	8	1/4	.374	2 1/4	37000809	172.35	.2340 -.2650	218.90	199.75	193.30	190.15	186.90	184.30
-	1 1/8	8	9/32	.435	2 9/32	37003609	188.75	.2651 -.2968	218.90	199.75	193.30	190.15	186.90	184.30
1009	1 1/8	8	5/16	.435	2 5/16	37001009	172.35	.2969 -.3281	218.90	199.75	193.30	190.15	186.90	184.30
610	1 1/4	8	3/16	.312	2 3/16	37000610	180.95	.1714 -.2025	227.95	208.80	202.25	199.25	195.95	193.30
710	1 1/4	8	7/32	.342	2 7/32	37000710	180.95	.2026 -.2339	227.95	208.80	202.25	199.25	195.95	193.30
810	1 1/4	8	1/4	.374	2 1/4	37000810	180.95	.2340 -.2650	227.95	208.80	202.25	199.25	195.95	193.30
-	1 1/4	8	9/32	.435	2 9/32	37004009	198.20	.2651 -.2968	227.95	208.80	202.25	199.25	195.95	193.30
1010	1 1/4	8	5/16	.435	2 5/16	37001010	180.95	.2969 -.3281	227.95	208.80	202.25	199.25	195.95	193.30
-	1 1/4	8	11/32	.467	2 11/32	37004011	198.20	.3282 -.3593	227.95	208.80	202.25	199.25	195.95	193.30
1210	1 1/4	8	3/8	.467	2 3/8	37001210	180.95	.3594 -.3900	227.95	208.80	202.25	199.25	195.95	193.30
811	1 3/8	8	1/4	.401	2 1/4	37000811	190.10	.2340 -.2650	237.50	218.30	211.90	208.80	205.55	202.95
-	1 3/8	8	9/32	.467	2 9/32	37004409	208.20	.2651 -.2968	237.50	218.30	211.90	208.80	205.55	202.95
1011	1 3/8	8	5/16	.467	2 5/16	37001011	190.10	.2969 -.3281	237.50	218.30	211.90	208.80	205.55	202.95
-	1 3/8	8	11/32	.467	2 11/32	37004411	208.20	.3282 -.3593	237.50	218.30	211.90	208.80	205.55	202.95
1211	1 3/8	8	3/8	.467	2 3/8	37001211	190.10	.3594 -.3900	237.50	218.30	211.90	208.80	205.55	202.95
812	1 1/2	8	1/4	.435	2 1/4	37000812	199.60	.2340 -.2650	247.45	228.30	221.85	218.75	215.50	212.90
-	1 1/2	8	9/32	.467	2 9/32	37004809	218.60	.2651 -.2968	247.45	228.30	221.85	218.75	215.50	212.90
1012	1 1/2	8	5/16	.467	2 5/16	37001012	199.60	.2969 -.3281	247.45	228.30	221.85	218.75	215.50	212.90
-	1 1/2	8	11/32	.467	2 11/32	37004811	218.60	.3282 -.3593	247.45	228.30	221.85	218.75	215.50	212.90
1212	1 1/2	8	3/8	.467	2 3/8	37001212	199.60	.3594 -.3900	247.45	228.30	221.85	218.75	215.50	212.90
-	1 1/2	8	13/32	.467	2 13/32	37004813	218.60	.3901 -.4219	247.45	228.30	221.85	218.75	215.50	212.90
-	1 1/2	8	7/16	.467	2 7/16	37004814	218.60	.4220 -.4531	247.45	228.30	221.85	218.75	215.50	212.90
-	1 1/2	8	15/32	.467	2 15/32	37004815	218.60	.4532 -.4843	247.45	228.30	221.85	218.75	215.50	212.90
-	1 1/2	8	1/2	.467	2 1/2	37004816	218.60	.4844 -.5150	247.45	228.30	221.85	218.75	215.50	212.90

LEXINGTON CUTTER, INC. • sales@lexingtoncutter.com • Phone 800-882-2627 • Fax 800-882-3637

CARBIDE TIPPED STAGGERED TOOTH KEYSEAT CUTTERS FOR NON-FERROUS & CAST IRON



TYPE 3701 - STAGGERED TOOTH

Carbide tips brazed to hardened alloy steel bodies.

Alternate 10° right and left axial rake. For milling slots in cast iron, non-ferrous metals, plastics and non-metals.

Tool diameter tolerance: +.020"/+.015".
Face width tolerance: +.0000"/-.0005".
Straight shank: 1/2" diameter, 2" long.

AMERICAN STANDARD NO.	TOOL DIAM.	NO. OF TEETH	WIDTH	NECK DIAM.	OVERALL LENGTH	EDP NO.	PRICE EACH	DECIMAL SIZE RANGE	PRICE EACH - FINISHED TO DECIMAL SIZE					
									1 PC.	2 PC.	3 PC.	4 PC.	5-7	8-14*
204	1/2	6	1/16	.130	2 1/16	37010204	\$151.15	.0575 - .0787	\$196.70	\$177.50	\$171.05	\$168.00	\$164.70	\$162.05
304	1/2	6	3/32	.160	2 3/32	37010304	151.15	.0788 - .1088	196.70	177.50	171.05	168.00	164.70	162.05
404	1/2	6	1/8	.191	2 1/8	37010404	151.15	.1089 - .1400	196.70	177.50	171.05	168.00	164.70	162.05
305	5/8	6	3/32	.191	2 3/32	37010305	156.50	.0788 - .1088	202.35	183.20	176.75	173.65	170.35	167.70
405	5/8	6	1/8	.223	2 1/8	37010405	156.50	.1089 - .1400	202.35	183.20	176.75	173.65	170.35	167.70
505	5/8	6	5/32	.252	2 5/32	37010505	156.50	.1401 - .1713	202.35	183.20	176.75	173.65	170.35	167.70
605	5/8	6	3/16	.279	2 3/16	37010605	156.50	.1714 - .2025	202.35	183.20	176.75	173.65	170.35	167.70
406	3/4	6	1/8	.217	2 1/8	37010406	163.55	.1100 - .1400	209.70	190.55	184.00	180.95	177.70	175.10
506	3/4	6	5/32	.246	2 5/32	37010506	163.55	.1401 - .1713	209.70	190.55	184.00	180.95	177.70	175.10
606	3/4	6	3/16	.279	2 3/16	37010606	163.55	.1714 - .2025	209.70	190.55	184.00	180.95	177.70	175.10
-	3/4	6	7/32	.342	2 7/32	37012407	179.10	.2026 - .2339	209.70	190.55	184.00	180.95	177.70	175.10
806	3/4	6	1/4	.342	2 1/4	37010806	163.55	.2340 - .2650	209.70	190.55	184.00	180.95	177.70	175.10
507	7/8	6	5/32	.246	2 5/32	37010507	171.05	.1401 - .1713	217.55	198.35	191.90	188.75	185.50	182.90
607	7/8	6	3/16	.279	2 3/16	37010607	171.05	.1714 - .2025	217.55	198.35	191.90	188.75	185.50	182.90
707	7/8	6	7/32	.312	2 7/32	37010707	171.05	.2026 - .2339	217.55	198.35	191.90	188.75	185.50	182.90
807	7/8	6	1/4	.342	2 1/4	37010807	171.05	.2340 - .2650	217.55	198.35	191.90	188.75	185.50	182.90
608	1	8	3/16	.279	2 3/16	37010608	193.00	.1714 - .2025	240.55	221.35	214.90	211.75	208.50	205.90
708	1	8	7/32	.312	2 7/32	37010708	193.00	.2026 - .2339	240.55	221.35	214.90	211.75	208.50	205.90
808	1	8	1/4	.342	2 1/4	37010808	193.00	.2340 - .2650	240.55	221.35	214.90	211.75	208.50	205.90
-	1	8	9/32	.401	2 9/32	37013209	211.40	.2651 - .2968	240.55	221.35	214.90	211.75	208.50	205.90
1008	1	8	5/16	.401	2 5/16	37011008	193.00	.2969 - .3281	240.55	221.35	214.90	211.75	208.50	205.90
-	1	8	11/32	.467	2 11/32	37013211	211.40	.3282 - .3593	240.55	221.35	214.90	211.75	208.50	205.90
1208	1	8	3/8	.467	2 3/8	37011208	193.00	.3594 - .3900	240.55	221.35	214.90	211.75	208.50	205.90
609	1 1/8	8	3/16	.312	2 3/16	37010609	202.55	.1714 - .2025	250.55	231.35	224.90	221.85	218.60	215.90
709	1 1/8	8	7/32	.342	2 7/32	37010709	202.55	.2026 - .2339	250.55	231.35	224.90	221.85	218.60	215.90
809	1 1/8	8	1/4	.374	2 1/4	37010809	202.55	.2340 - .2650	250.55	231.35	224.90	221.85	218.60	215.90
-	1 1/8	8	9/32	.435	2 9/32	37013609	221.85	.2651 - .2968	250.55	231.35	224.90	221.85	218.60	215.90
1009	1 1/8	8	5/16	.435	2 5/16	37011009	202.55	.2969 - .3281	250.55	231.35	224.90	221.85	218.60	215.90
610	1 1/4	8	3/16	.312	2 3/16	37010610	212.80	.1714 - .2025	261.25	242.05	235.60	232.45	229.20	226.60
710	1 1/4	8	7/32	.342	2 7/32	37010710	212.80	.2026 - .2339	261.25	242.05	235.60	232.45	229.20	226.60
810	1 1/4	8	1/4	.374	2 1/4	37010810	212.80	.2340 - .2650	261.25	242.05	235.60	232.45	229.20	226.60
-	1 1/4	8	9/32	.435	2 9/32	37014009	233.05	.2651 - .2968	261.25	242.05	235.60	232.45	229.20	226.60
1010	1 1/4	8	5/16	.435	2 5/16	37011010	212.80	.2969 - .3281	261.25	242.05	235.60	232.45	229.20	226.60
-	1 1/4	8	11/32	.467	2 11/32	37014011	233.05	.3282 - .3593	261.25	242.05	235.60	232.45	229.20	226.60
1210	1 1/4	8	3/8	.467	2 3/8	37011210	212.80	.3594 - .3900	261.25	242.05	235.60	232.45	229.20	226.60
811	1 3/8	8	1/4	.401	2 1/4	37010811	223.50	.2340 - .2650	272.55	253.40	246.95	243.80	240.55	237.90
-	1 3/8	8	9/32	.467	2 9/32	37014409	244.80	.2651 - .2968	272.55	253.40	246.95	243.80	240.55	237.90
1011	1 3/8	8	5/16	.467	2 5/16	37011011	223.50	.2969 - .3281	272.55	253.40	246.95	243.80	240.55	237.90
-	1 3/8	8	11/32	.467	2 11/32	37014411	244.80	.3282 - .3593	272.55	253.40	246.95	243.80	240.55	237.90
1211	1 3/8	8	3/8	.467	2 3/8	37011211	223.50	.3594 - .3900	272.55	253.40	246.95	243.80	240.55	237.90
812	1 1/2	8	1/4	.435	2 1/4	37010812	234.75	.2340 - .2650	284.25	265.10	258.60	255.55	252.30	249.60
-	1 1/2	8	9/32	.467	2 9/32	37014809	257.10	.2651 - .2968	284.25	265.10	258.60	255.55	252.30	249.60
1012	1 1/2	8	5/16	.467	2 5/16	37011012	234.75	.2969 - .3281	284.25	265.10	258.60	255.55	252.30	249.60
-	1 1/2	8	11/32	.467	2 11/32	37014811	257.10	.3282 - .3593	284.25	265.10	258.60	255.55	252.30	249.60
1212	1 1/2	8	3/8	.467	2 3/8	37011212	234.75	.3594 - .3900	284.25	265.10	258.60	255.55	252.30	249.60
-	1 1/2	8	13/32	.467	2 13/32	37014813	257.10	.3901 - .4219	284.25	265.10	258.60	255.55	252.30	249.60
-	1 1/2	8	7/16	.467	2 7/16	37014814	257.10	.4220 - .4531	284.25	265.10	258.60	255.55	252.30	249.60
-	1 1/2	8	15/32	.467	2 15/32	37014815	257.10	.4532 - .4843	284.25	265.10	258.60	255.55	252.30	249.60
-	1 1/2	8	1/2	.467	2 1/2	37014816	257.10	.4844 - .5150	284.25	265.10	258.60	255.55	252.30	249.60

Phone 941-739-2726 • Fax 941-739-2827 • www.lexingtoncutter.com • LEXINGTON CUTTER, INC.

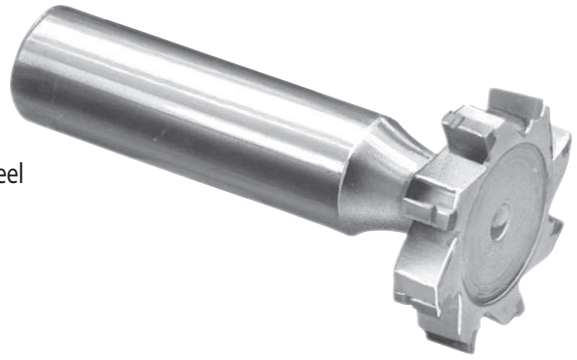
*Quantities of 15 or more: price of fractional size in same size range.

CARBIDE TIPPED STRAIGHT TOOTH KEYSEAT CUTTERS FOR STEEL

TYPE 3702 - STRAIGHT TOOTH

Carbide tips brazed to hardened alloy steel bodies.

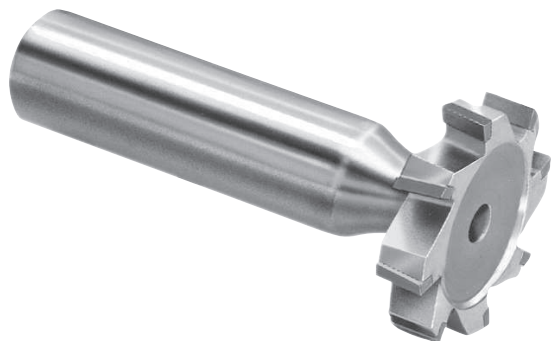
Fast cutting to close tolerance with longer tool life. For milling slots in steel and steel alloys. Chip breakers are on all cutters 5/32" and greater width. Decimal size cutters DO NOT have chip breakers.



Tool diameter tolerance: +.020"/+.015".
Face width tolerance: +.0000"/-.0005".
Straight shank: 1/2" diameter, 2" long.

AMERICAN STANDARD NO.	TOOL DIAM.	NO. OF TEETH	WIDTH	NECK DIAM.	OVERALL LENGTH	EDP NO.	PRICE EACH	DECIMAL SIZE RANGE	PRICE EACH - FINISHED TO DECIMAL SIZE					
									1 PC.	2 PC.	3 PC.	4 PC.	5-7	8-14*
204	1/2	6	1/16	.130	2 1/16	37020204	\$148.40	.0575 -.0787	\$195.80	\$175.65	\$168.80	\$165.55	\$162.15	\$159.40
304	1/2	6	3/32	.160	2 3/32	37020304	148.40	.0788 -.1088	195.80	175.65	168.80	165.55	162.15	159.40
404	1/2	6	1/8	.191	2 1/8	37020404	148.40	.1089 -.1400	195.80	175.65	168.80	165.55	162.15	159.40
305	5/8	6	3/32	.191	2 3/32	37020305	153.75	.0788 -.1088	201.25	181.10	174.35	171.10	167.70	164.95
405	5/8	6	1/8	.223	2 1/8	37020405	153.75	.1089 -.1400	201.25	181.10	174.35	171.10	167.70	164.95
505	5/8	6	5/32	.252	2 5/32	37020505	153.75	.1401 -.1713	201.25	181.10	174.35	171.10	167.70	164.95
605	5/8	6	3/16	.279	2 3/16	37020605	153.75	.1714 -.2025	201.25	181.10	174.35	171.10	167.70	164.95
406	3/4	6	1/8	.217	2 1/8	37020406	160.40	.1100 -.1400	208.45	188.25	181.40	178.15	174.75	172.00
506	3/4	6	5/32	.246	2 5/32	37020506	160.40	.1401 -.1713	208.45	188.25	181.40	178.15	174.75	172.00
606	3/4	6	3/16	.279	2 3/16	37020606	160.40	.1714 -.2025	208.45	188.25	181.40	178.15	174.75	172.00
-	3/4	6	7/32	.342	2 7/32	37022407	175.70	.2026 -.2339	208.45	188.25	181.40	178.15	174.75	172.00
806	3/4	6	1/4	.342	2 1/4	37020806	160.40	.2340 -.2650	208.45	188.25	181.40	178.15	174.75	172.00
507	7/8	6	5/32	.246	2 5/32	37020507	168.05	.1401 -.1713	216.30	196.10	189.35	186.10	182.70	179.85
607	7/8	6	3/16	.279	2 3/16	37020607	168.05	.1714 -.2025	216.30	196.10	189.35	186.10	182.70	179.85
707	7/8	6	7/32	.312	2 7/32	37020707	168.05	.2026 -.2339	216.30	196.10	189.35	186.10	182.70	179.85
807	7/8	6	1/4	.342	2 1/4	37020807	168.05	.2340 -.2650	216.30	196.10	189.35	186.10	182.70	179.85
608	1	8	3/16	.279	2 3/16	37020608	189.60	.1714 -.2025	238.80	218.65	211.85	208.65	205.25	202.40
708	1	8	7/32	.312	2 7/32	37020708	189.60	.2026 -.2339	238.80	218.65	211.85	208.65	205.25	202.40
808	1	8	1/4	.342	2 1/4	37020808	189.60	.2340 -.2650	238.80	218.65	211.85	208.65	205.25	202.40
-	1	8	9/32	.401	2 9/32	37023209	207.60	.2651 -.2968	238.80	218.65	211.85	208.65	205.25	202.40
1008	1	8	5/16	.401	2 5/16	37021008	189.60	.2969 -.3281	238.80	218.65	211.85	208.65	205.25	202.40
-	1	8	11/32	.467	2 11/32	37023211	207.60	.3282 -.3593	238.80	218.65	211.85	208.65	205.25	202.40
1208	1	8	3/8	.467	2 3/8	37021208	189.60	.3594 -.3900	238.80	218.65	211.85	208.65	205.25	202.40
609	1 1/8	8	3/16	.312	2 3/16	37020609	199.10	.1714 -.2025	248.85	228.70	221.85	218.65	215.25	212.45
709	1 1/8	8	7/32	.342	2 7/32	37020709	199.10	.2026 -.2339	248.85	228.70	221.85	218.65	215.25	212.45
809	1 1/8	8	1/4	.374	2 1/4	37020809	199.10	.2340 -.2650	248.85	228.70	221.85	218.65	215.25	212.45
-	1 1/8	8	9/32	.435	2 9/32	37023609	218.00	.2651 -.2968	248.85	228.70	221.85	218.65	215.25	212.45
1009	1 1/8	8	5/16	.435	2 5/16	37021009	199.10	.2969 -.3281	248.85	228.70	221.85	218.65	215.25	212.45
610	1 1/4	8	3/16	.312	2 3/16	37020610	209.00	.1714 -.2025	259.25	239.05	232.30	229.05	225.65	222.90
710	1 1/4	8	7/32	.342	2 7/32	37020710	209.00	.2026 -.2339	259.25	239.05	232.30	229.05	225.65	222.90
810	1 1/4	8	1/4	.374	2 1/4	37020810	209.00	.2340 -.2650	259.25	239.05	232.30	229.05	225.65	222.90
-	1 1/4	8	9/32	.435	2 9/32	37024009	228.90	.2651 -.2968	259.25	239.05	232.30	229.05	225.65	222.90
1010	1 1/4	8	5/16	.435	2 5/16	37021010	209.00	.2969 -.3281	259.25	239.05	232.30	229.05	225.65	222.90
-	1 1/4	8	11/32	.467	2 11/32	37024011	228.90	.3282 -.3593	259.25	239.05	232.30	229.05	225.65	222.90
1210	1 1/4	8	3/8	.467	2 3/8	37021210	209.00	.3594 -.3900	259.25	239.05	232.30	229.05	225.65	222.90
811	1 3/8	8	1/4	.401	2 1/4	37020811	219.55	.2340 -.2650	270.40	250.20	243.40	240.10	236.70	233.95
-	1 3/8	8	9/32	.467	2 9/32	37024409	240.50	.2651 -.2968	270.40	250.20	243.40	240.10	236.70	233.95
1011	1 3/8	8	5/16	.467	2 5/16	37021011	219.55	.2969 -.3281	270.40	250.20	243.40	240.10	236.70	233.95
-	1 3/8	8	11/32	.467	2 11/32	37024411	240.50	.3282 -.3593	270.40	250.20	243.40	240.10	236.70	233.95
1211	1 3/8	8	3/8	.467	2 3/8	37021211	219.55	.3594 -.3900	270.40	250.20	243.40	240.10	236.70	233.95
812	1 1/2	8	1/4	.435	2 1/4	37020812	230.55	.2340 -.2650	281.80	261.70	254.95	251.70	248.20	245.55
-	1 1/2	8	9/32	.467	2 9/32	37024809	252.50	.2651 -.2968	281.80	261.70	254.95	251.70	248.20	245.55
1012	1 1/2	8	5/16	.467	2 5/16	37021012	230.55	.2969 -.3281	281.80	261.70	254.95	251.70	248.20	245.55
-	1 1/2	8	11/32	.467	2 11/32	37024811	252.50	.3282 -.3593	281.80	261.70	254.95	251.70	248.20	245.55
1212	1 1/2	8	3/8	.467	2 3/8	37021212	230.55	.3594 -.3900	281.80	261.70	254.95	251.70	248.20	245.55
-	1 1/2	8	13/32	.467	2 13/32	37024813	252.50	.3901 -.4219	281.80	261.70	254.95	251.70	248.20	245.55
-	1 1/2	8	7/16	.467	2 7/16	37024814	252.50	.4220 -.4531	281.80	261.70	254.95	251.70	248.20	245.55
-	1 1/2	8	15/32	.467	2 15/32	37024815	252.50	.4532 -.4843	281.80	261.70	254.95	251.70	248.20	245.55
-	1 1/2	8	1/2	.467	2 1/2	37024816	252.50	.4844 -.5150	281.80	261.70	254.95	251.70	248.20	245.55

CARBIDE TIPPED STAGGERED TOOTH KEYSEAT CUTTERS FOR STEEL



TYPE 3703 - STAGGERED TOOTH

Carbide tips brazed to hardened alloy steel bodies.

Alternate 10° right and left axial rake. For milling slots in steel and steel alloys.

Tool diameter tolerance: +.020"/+.015".

Face width tolerance: +.0000"/-.0005".

Straight shank: 1/2" diameter, 2" long.

AMERICAN STANDARD NO.	TOOL DIAM.	NO. OF TEETH	WIDTH	NECK DIAM.	OVERALL LENGTH	EDP NO.	PRICE EACH	DECIMAL SIZE RANGE	PRICE EACH - FINISHED TO DECIMAL SIZE					
									1 PC.	2 PC.	3 PC.	4 PC.	5-7	8-14*
204	1/2	6	1/16	.130	2 1/16	37030204	\$174.60	.0575 - .0787	\$223.20	\$203.00	\$196.25	\$193.00	\$189.60	\$186.85
304	1/2	6	3/32	.160	2 3/32	37030304	174.60	.0788 - .1088	223.20	203.00	196.25	193.00	189.60	186.85
404	1/2	6	1/8	.191	2 1/8	37030404	174.60	.1089 - .1400	223.20	203.00	196.25	193.00	189.60	186.85
305	5/8	6	3/32	.191	2 3/32	37030305	180.75	.0788 - .1088	229.65	209.55	202.80	199.50	196.10	193.35
405	5/8	6	1/8	.223	2 1/8	37030405	180.75	.1089 - .1400	229.65	209.55	202.80	199.50	196.10	193.35
505	5/8	6	5/32	.252	2 5/32	37030505	180.75	.1401 - .1713	229.65	209.55	202.80	199.50	196.10	193.35
605	5/8	6	3/16	.279	2 3/16	37030605	180.75	.1714 - .2025	229.65	209.55	202.80	199.50	196.10	193.35
406	3/4	6	1/8	.217	2 1/8	37030406	188.85	.1100 - .1400	238.20	218.05	211.30	208.05	204.55	201.80
506	3/4	6	5/32	.246	2 5/32	37030506	188.85	.1401 - .1713	238.20	218.05	211.30	208.05	204.55	201.80
606	3/4	6	3/16	.279	2 3/16	37030606	188.85	.1714 - .2025	238.20	218.05	211.30	208.05	204.55	201.80
-	3/4	6	7/32	.342	2 7/32	37032407	206.85	.2026 - .2339	238.20	218.05	211.30	208.05	204.55	201.80
806	3/4	6	1/4	.342	2 1/4	37030806	188.85	.2340 - .2650	238.20	218.05	211.30	208.05	204.55	201.80
507	7/8	6	5/32	.246	2 5/32	37030507	197.60	.1401 - .1713	247.25	227.05	220.30	216.95	213.55	210.90
607	7/8	6	3/16	.279	2 3/16	37030607	197.60	.1714 - .2025	247.25	227.05	220.30	216.95	213.55	210.90
707	7/8	6	7/32	.312	2 7/32	37030707	197.60	.2026 - .2339	247.25	227.05	220.30	216.95	213.55	210.90
807	7/8	6	1/4	.342	2 1/4	37030807	197.60	.2340 - .2650	247.25	227.05	220.30	216.95	213.55	210.90
608	1	8	3/16	.279	2 3/16	37030608	222.90	.1714 - .2025	273.80	253.70	246.85	243.60	240.20	237.45
708	1	8	7/32	.312	2 7/32	37030708	222.90	.2026 - .2339	273.80	253.70	246.85	243.60	240.20	237.45
808	1	8	1/4	.342	2 1/4	37030808	222.90	.2340 - .2650	273.80	253.70	246.85	243.60	240.20	237.45
-	1	8	9/32	.401	2 9/32	37033209	244.20	.2651 - .2968	273.80	253.70	246.85	243.60	240.20	237.45
1008	1	8	5/16	.401	2 5/16	37031008	222.90	.2969 - .3281	273.80	253.70	246.85	243.60	240.20	237.45
-	1	8	11/32	.467	2 11/32	37033211	244.20	.3282 - .3593	273.80	253.70	246.85	243.60	240.20	237.45
1208	1	8	3/8	.467	2 3/8	37031208	222.90	.3594 - .3900	273.80	253.70	246.85	243.60	240.20	237.45
609	1 1/8	8	3/16	.312	2 3/16	37030609	233.95	.1714 - .2025	285.35	265.20	258.45	255.25	251.85	249.00
709	1 1/8	8	7/32	.342	2 7/32	37030709	233.95	.2026 - .2339	285.35	265.20	258.45	255.25	251.85	249.00
809	1 1/8	8	1/4	.374	2 1/4	37030809	233.95	.2340 - .2650	285.35	265.20	258.45	255.25	251.85	249.00
-	1 1/8	8	9/32	.435	2 9/32	37033609	256.20	.2651 - .2968	285.35	265.20	258.45	255.25	251.85	249.00
1009	1 1/8	8	5/16	.435	2 5/16	37031009	233.95	.2969 - .3281	285.35	265.20	258.45	255.25	251.85	249.00
610	1 1/4	8	3/16	.312	2 3/16	37030610	245.75	.1714 - .2025	297.70	277.50	270.85	267.55	264.15	261.40
710	1 1/4	8	7/32	.342	2 7/32	37030710	245.75	.2026 - .2339	297.70	277.50	270.85	267.55	264.15	261.40
810	1 1/4	8	1/4	.374	2 1/4	37030810	245.75	.2340 - .2650	297.70	277.50	270.85	267.55	264.15	261.40
-	1 1/4	8	9/32	.435	2 9/32	37034009	269.20	.2651 - .2968	297.70	277.50	270.85	267.55	264.15	261.40
1010	1 1/4	8	5/16	.435	2 5/16	37031010	245.75	.2969 - .3281	297.70	277.50	270.85	267.55	264.15	261.40
-	1 1/4	8	11/32	.467	2 11/32	37034011	269.20	.3282 - .3593	297.70	277.50	270.85	267.55	264.15	261.40
1210	1 1/4	8	3/8	.467	2 3/8	37031210	245.75	.3594 - .3900	297.70	277.50	270.85	267.55	264.15	261.40
811	1 3/8	8	1/4	.401	2 1/4	37030811	258.20	.2340 - .2650	310.75	290.70	283.80	280.60	277.20	274.40
-	1 3/8	8	9/32	.467	2 9/32	37034409	282.70	.2651 - .2968	310.75	290.70	283.80	280.60	277.20	274.40
1011	1 3/8	8	5/16	.467	2 5/16	37031011	258.20	.2969 - .3281	310.75	290.70	283.80	280.60	277.20	274.40
-	1 3/8	8	11/32	.467	2 11/32	37034411	282.70	.3282 - .3593	310.75	290.70	283.80	280.60	277.20	274.40
1211	1 3/8	8	3/8	.467	2 3/8	37031211	258.20	.3594 - .3900	310.75	290.70	283.80	280.60	277.20	274.40
812	1 1/2	8	1/4	.435	2 1/4	37030812	271.15	.2340 - .2650	324.35	304.15	297.40	294.15	290.70	287.95
-	1 1/2	8	9/32	.467	2 9/32	37034809	296.95	.2651 - .2968	324.35	304.15	297.40	294.15	290.70	287.95
1012	1 1/2	8	5/16	.467	2 5/16	37031012	271.15	.2969 - .3281	324.35	304.15	297.40	294.15	290.70	287.95
-	1 1/2	8	11/32	.467	2 11/32	37034811	296.95	.3282 - .3593	324.35	304.15	297.40	294.15	290.70	287.95
1212	1 1/2	8	3/8	.467	2 3/8	37031212	271.15	.3594 - .3900	324.35	304.15	297.40	294.15	290.70	287.95
-	1 1/2	8	13/32	.467	2 13/32	37034813	296.95	.3901 - .4219	324.35	304.15	297.40	294.15	290.70	287.95
-	1 1/2	8	7/16	.467	2 7/16	37034814	296.95	.4220 - .4531	324.35	304.15	297.40	294.15	290.70	287.95
-	1 1/2	8	15/32	.467	2 15/32	37034815	296.95	.4532 - .4843	324.35	304.15	297.40	294.15	290.70	287.95
-	1 1/2	8	1/2	.467	2 1/2	37034816	296.95	.4844 - .5150	324.35	304.15	297.40	294.15	290.70	287.95

Phone 941-739-2726 • Fax 941-739-2827 • www.lexingtoncutter.com • LEXINGTON CUTTER, INC.

*Quantities of 15 or more: price of fractional size in same size range.

CARBIDE TIPPED CHAMFER MILLING CUTTERS

SINGLE ANGLE CUTTERS

TYPE 3730 - 45° - FOR NON-FERROUS & CAST IRON

TYPE 3731 - 45° - FOR STEEL

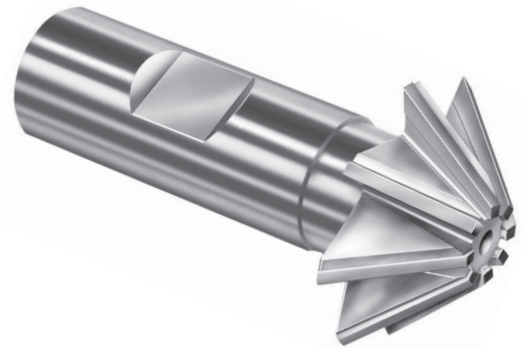
TYPE 3732 - 60° - FOR NON-FERROUS & CAST IRON

TYPE 3733 - 60° - FOR STEEL

Carbide tips brazed to hardened alloy steel bodies. Right hand cut. Straight shank with Weldon flats.

Angle tolerance: +/- 1/4°.

Tool diameter tolerance: +.015"/-.000".



TOOL DIAMETER	SHANK DIAMETER	NO. OF TEETH	OVERALL LENGTH	45° ANGLE					60° ANGLE				
				CUTTER WIDTH	TYPE 3730 EDP NO.	PRICE EACH	TYPE 3731 EDP NO.	PRICE EACH	CUTTER WIDTH	TYPE 3732 EDP NO.	PRICE EACH	TYPE 3733 EDP NO.	PRICE EACH
1/2	3/8	4	2 1/8	1/8	373016	\$208.15	373116	\$228.85	7/32	373216	\$208.15	373316	\$228.85
3/4	3/8	6	2 1/8	3/16	373024	224.40	373124	246.70	5/16	373224	224.40	373324	246.70
1	1/2	6	2 1/2	5/16	373032	263.20	373132	289.45	7/16	373232	263.20	373332	289.45
1 1/2	3/4	8	2 3/4	1/2	373048	333.55	373148	367.05	3/8	373248	333.55	373348	367.05

DOUBLE ANGLE CUTTERS

TYPE 3746 - 60° - FOR NON-FERROUS & CAST IRON

TYPE 3747 - 60° - FOR STEEL

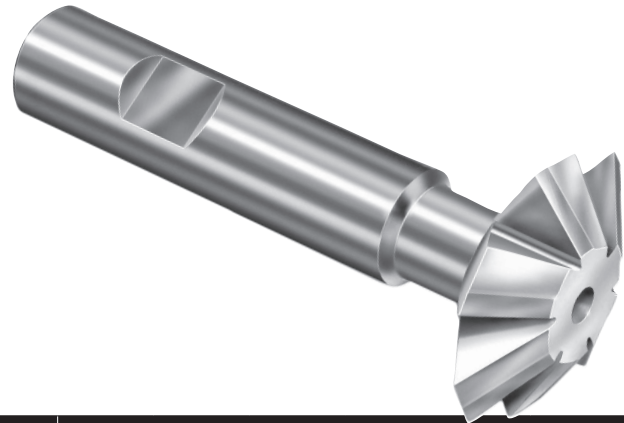
TYPE 3748 - 90° - FOR NON-FERROUS & CAST IRON

TYPE 3749 - 90° - FOR STEEL

Carbide tips brazed to hardened alloy steel bodies. Right hand cut. Straight shank with Weldon flats.

Angle tolerance: +/- 1/4°.

Tool diameter tolerance: +.015"/-.000"; Corner radius: .010" - .020".



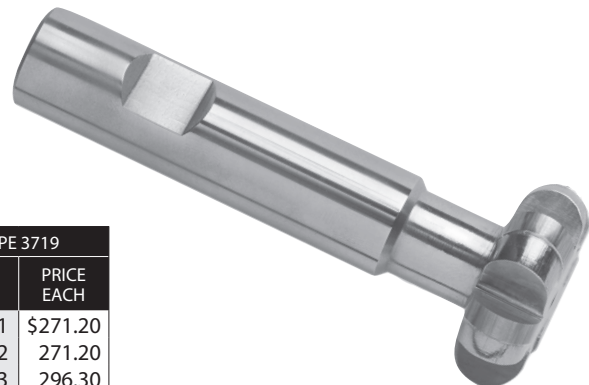
TOOL DIAMETER	SHANK DIAMETER	NO. OF TEETH	60° DOUBLE ANGLE						90° DOUBLE ANGLE					
			OVERALL LENGTH	CUTTER WIDTH	TYPE 3746 EDP NO.	PRICE EACH	TYPE 3747 EDP NO.	PRICE EACH	OVERALL LENGTH	CUTTER WIDTH	TYPE 3748 EDP NO.	PRICE EACH	TYPE 3749 EDP NO.	PRICE EACH
3/4	3/8	6	2 3/8	3/16	374624	\$185.50	374724	\$204.10	2 3/8	1/4	374824	\$185.50	374924	\$204.10
1	1/2	6	2 27/32	5/16	374632	219.10	374732	241.10	2 29/32	3/8	374832	219.10	374932	241.10
1 3/8	5/8	6	3 7/32	7/16	374644	253.85	374744	279.30	3 9/32	1/2	374844	253.85	374944	279.30
1 1/2	5/8	6	3 3/8	1/2	374648	266.60	374748	293.25	3 7/16	9/16	374848	266.60	374948	293.25
1 7/8	3/4	6	3 25/32	5/8	374660	404.85	374760	445.35	3 25/32	5/8	374860	404.85	374960	445.35
2 1/4	7/8	6	4 5/32	3/4	374672	547.95	374772	602.75	4 5/32	3/4	374872	547.95	374972	602.75

CARBIDE TIPPED RADIUS CUTTERS

TYPE 3718 - FOR NON-FERROUS & CAST IRON

TYPE 3719 - FOR STEEL

Carbide tips brazed to hardened alloy steel bodies. Right hand cut. Convex radius. Straight shank with Weldon flats.

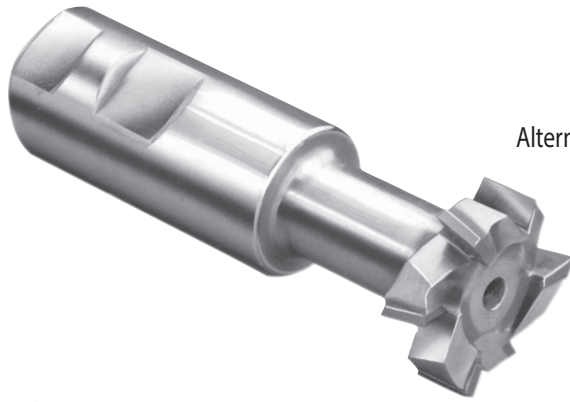


CUTTER RADIUS	TOOL DIAM.	SHANK DIAM.	NO. OF TEETH	CUTTER WIDTH	OVERALL LENGTH	TYPE 3718		TYPE 3719	
						EDP NO.	PRICE EACH	EDP NO.	PRICE EACH
1/32	3/4	1/2	6	1/16	3	371801	\$246.50	371901	\$271.20
1/16	3/4	1/2	6	1/8	3	371802	246.50	371902	271.20
3/32	7/8	1/2	6	3/16	3	371803	269.50	371903	296.30
1/8	1 1/4	3/4	6	1/4	3 1/2	371804	293.25	371904	322.60
5/32	1 5/16	3/4	6	5/16	3 1/2	371805	337.45	371905	371.20
3/16	1 3/8	3/4	6	3/8	3 1/2	371806	357.10	371906	392.80
1/4	1 1/2	3/4	6	1/2	4	371808	369.65	371908	406.70

Tool diameter tolerance: +.005"/-.000".

Tool radius tolerance thru 1/8" radius: +.001"/-.001";
over 1/8" radius: +.002"/-.002".

CARBIDE TIPPED T-SLOT CUTTERS



TYPE 3720 - FOR NON-FERROUS & CAST IRON

Carbide tips brazed to hardened alloy steel bodies.
Alternate 10° right and left axial rake. Straight shank with drive flats.
Used to machine cast iron and non-ferrous materials.

TYPE 3721 - FOR STEEL

Same as Type 3720 above, except carbide grade and geometry appropriate for cutting steel.

Tool diameter tolerance: +.000"/-.010".

BOLT DIAMETER	TOOL DIAMETER	SHANK DIAMETER	CUTTER WIDTH	NECK DIAMETER	UNDERCUT LENGTH	NO. OF TEETH	OVERALL LENGTH	TYPE 3720 EDP NO.	PRICE EACH	TYPE 3721 EDP NO.	PRICE EACH
1/4	9/16	1/2	15/64	17/64	35/64	6	2 19/32	372008	\$170.15	372108	\$183.70
5/16	21/32	1/2	17/64	21/64	39/64	6	2 11/16	372010	168.05	372110	181.50
3/8	25/32	3/4	21/64	13/32	55/64	6	3 1/4	372012	211.45	372112	228.45
1/2	31/32	3/4	25/64	17/32	63/64	6	3 7/16	372016	229.95	372116	248.25
5/8	1 1/4	1	31/64	21/32	1 9/64	6	3 15/16	372020	305.20	372120	329.65
3/4	1 15/32	1	5/8	25/32	1 1/2	6	4 7/16	372024	341.00	372124	368.25
1	1 27/32	1 1/4	53/64	1 1/32	1 43/64	8	4 13/16	372032	486.90	372132	525.95
1 1/4	2 7/32	1 1/4	1 3/32	1 7/32	1 31/32	8	5 3/8	372040	614.45	372140	663.65
1 1/2	2 27/32	1 1/4	1 11/32	1 17/32	2 1/8	8	5 29/32	372048	711.60	372148	768.55

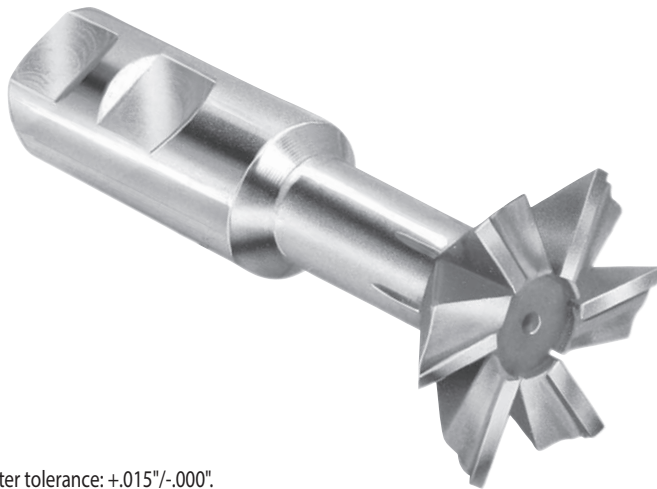
CARBIDE TIPPED DOVETAIL CUTTERS

TYPE 3734 - 45° SINGLE ANGLE FOR NON-FERROUS & CAST IRON TYPE 3735 - 45° SINGLE ANGLE FOR STEEL

Carbide tips brazed to hardened alloy steel bodies.
45° single angle with right hand cut.
Straight shank with drive flats.

TYPE 3736 - 60° SINGLE ANGLE FOR NON-FERROUS & CAST IRON TYPE 3737 - 60° SINGLE ANGLE FOR STEEL

Carbide tips brazed to hardened alloy steel bodies.
60° single angle with right hand cut.
Straight shank with drive flats.



Tool diameter tolerance: +.015"/-.000".
Corner radius: .015" - .020".

TOOL DIAMETER	SHANK DIAMETER	NECK DIAMETER	NO. OF TEETH	OVERALL LENGTH	45° SINGLE ANGLE					60° SINGLE ANGLE				
					CUTTER WIDTH	TYPE 3734 EDP NO.	PRICE EACH	TYPE 3735 EDP NO.	PRICE EACH	CUTTER WIDTH	TYPE 3736 EDP NO.	PRICE EACH	TYPE 3737 EDP NO.	PRICE EACH
1/2	3/8	3/16	3	2 1/8	5/32	373416	\$160.00	373516	\$172.90	7/32	373616	\$160.00	373716	\$172.90
3/4	3/8	1/4	3	2 1/4	1/4	373424	172.60	373524	186.30	1/4	373624	172.60	373724	186.30
1	1/2	3/8	4	2 1/2	5/16	373432	184.60	373532	199.45	3/8	373632	184.60	373732	199.45
1 1/4	5/8	1/2	4	2 3/4	3/8	373440	209.85	373540	226.75	1/2	373640	209.85	373740	226.75
1 1/2	3/4	1/2	4	3 1/4	1/2	373448	245.25	373548	264.90	5/8	373648	245.25	373748	264.90
2	1	3/4	6	4 1/4	5/8	373464	394.00	373564	425.55	3/4	373664	394.00	373764	425.55
2 1/2	1 1/4	1	6	4 3/8	3/4	373480	532.85	373580	575.35	7/8	373680	532.85	373780	575.35
3	1 1/4	1	6	4 1/2	1	373496	628.35	373596	678.65	1 1/8	373696	628.35	373796	678.65

FEEDS & SPEEDS CHART FOR MILLS & SAWS - CARBIDE TIPPED

Feeds & speeds are a starting recommendation only. Factors such as machine, fixture and tooling rigidity, horsepower available, coolant application and others will affect the performance significantly. Please read machine operators instructions and use all safety shields and glasses before performing these operations.



RPM=SFPM*3.82/Cutter Diameter
IPM=IPT*RPM*#Teeth

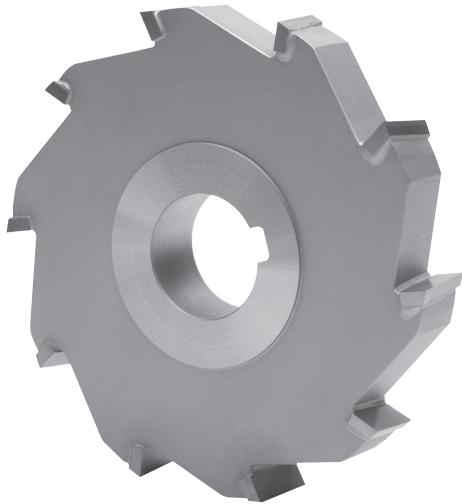
CLASSIFICATION	MATERIAL	BRINELL	SURFACE FEET PER MINUTE (SFPM)	INCHES PER TOOTH (IPT)
NON-FERROUS (SOFT)	ALUMINUM ALLOY - WROUGHT	30 - 150*	1000 - 2000	.004-.008
	MAGNESIUM ALLOY	50 - 90*	750 - 1500	.004-.008
	LEAD ALLOY	10 - 20*	300 - 1000	.004-.008
	NON-METAL AND PLASTIC	-	1500 - 3000	.004-.008
	ZINC ALLOY - DIE CAST	80 - 100	750 - 1500	.005-.010
NON-FERROUS (HARD)	ALUMINUM BRONZE	40 - 175	200 - 600	.003-.006
	BRASS ALLOY - LEADED AND FREE CUTTING	10 - 100Rb	400 - 800	.004-.008
	NICKEL SILVER	10 - 100Rb	200 - 400	.003-.006
	COPPER ALLOY - TOUGH	40 - 200*	200 - 500	.004-.008
CAST IRON	DUCTILE CAST IRON - AUSTENITIC	120 - 275	75 - 150	.002-.004
	DUCTILE CAST IRON - FERRITIC	140 - 270	250 - 400	.003-.006
	DUCTILE CAST IRON - MARTENSITIC	270 - 400	200 - 300	.003-.006
	GRAY - PEARLITIC	220 - 320	120 - 300	.002-.004
	GRAY - FERRITIC	110 - 240	250 - 425	.003-.006
	MALLEABLE CAST IRON - MARTENSITIC	200 - 320	130 - 225	.002-.004
	MALLEABLE CAST IRON - FERRITIC & PEARLITIC	110 - 240	200 - 400	.003-.006
LOW CARBON STEELS	LOW AND MEDIUM CARBON STEEL - FREE MACHINING	100 - 250	250 - 500	.003-.006
	LOW AND MEDIUM CARBON STEEL - WROUGHT	100 - 375	200 - 400	.002-.004
MEDIUM STRENGTH STEELS	LOW AND MEDIUM CARBON ALLOY STEEL - FREE MACHINING	100 - 275	200 - 400	.002-.004
	LOW AND MEDIUM CARBON ALLOY STEEL	85 - 375	150 - 300	.002-.005
	STAINLESS STEEL - 400 SERIES	135 - 325	200 - 400	.003-.006
	STAINLESS STEEL - 400 SERIES FREE MACHINING	135 - 275	250 - 500	.003-.006
HIGH STRENGTH STEELS	HIGH STRENGTH STEEL - WROUGHT & TOOL STEEL	175 - 400	75 - 150	.002-.004
HIGH TEMP. ALLOYS	HIGH TEMP ALLOYS NICKEL & IRON BASE ALLOY	140 - 300	50 - 150	.002-.004
	STAINLESS STEEL - 300 SERIES	135 - 375	75 - 150	.002-.004
	STAINLESS STEEL - PH SERIES	150 - 440	75 - 150	.002-.004
	TITANIUM ALLOY	110 - 380	100 - 200	.002-.004

CARBIDE TIPPED SIDE MILLING CUTTERS STAGGERED TOOTH

TYPE 3547 - GENERAL PURPOSE

Carbide tips brazed to alloy steel bodies.

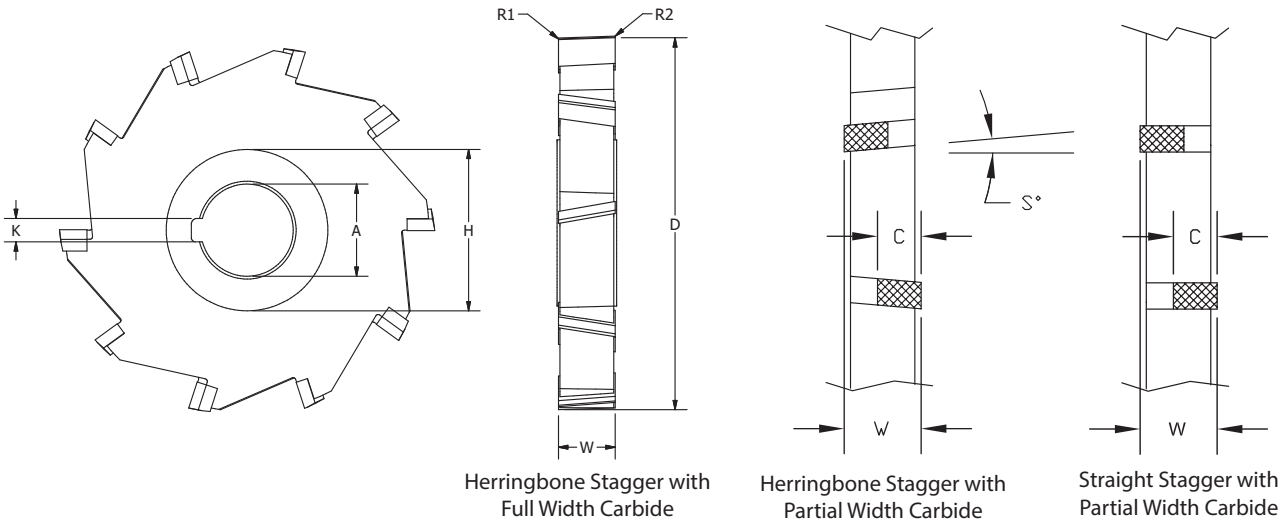
Positive radial rake and alternating right and left hand 5° axial rake make this an excellent choice for general purpose milling including aluminum, cast iron, composites, stainless steel, steel, and titanium up to 363 Brinell (39Rc). Staggered tooth design produces a free cutting tool and promotes chip evacuation. Carbide extends across the entire length of each tooth.



ALL TYPES:
 Tool diameter tolerance: $+\frac{1}{16}"/-0.000"$
 Face width tolerance: $+.001"/-.000"$
 Arbor hole tolerance: $+.001"/-.000"$
 Sharpened on all 3 cutting edges.

TOOL DIAM.	WIDTH		TYPE 3547 FOR STAINLESS STEEL			
	FRAC.	DEC.	NO. OF TEETH	1"ARBOR EDP NO.	1 1/4"ARBOR EDP NO.	PRICE EACH
3	3/16	.1875	8	354710	-	\$841.20
3	1/4	.2500	8	354712	-	861.20
3	5/16	.3125	8	354714	-	868.90
3	3/8	.3750	8	354716	-	872.35
3	1/2	.5000	8	354718	-	899.45
3	5/8	.6250	8	354720	-	962.90
4	3/16	.1875	10	354722	-	913.90
4	1/4	.2500	10	354724	-	925.35
4	5/16	.3125	10	354726	-	936.55
4	3/8	.3750	10	354728	-	947.80
4	1/2	.5000	10	354730	-	961.10
4	5/8	.6250	10	354732	-	979.00
4	3/4	.7500	10	354734	-	990.10
6	1/4	.2500	14	-	354750	1188.10
6	5/16	.3125	14	-	354752	1197.05
6	3/8	.3750	14	-	354754	1198.80
6	1/2	.5000	14	-	354756	1214.45
6	5/8	.6250	14	-	354758	1221.35
6	3/4	.7500	14	-	354760	1261.20
6	1	1.0000	14	-	354762	1350.35

For a material specific design and/or other types of staggered tooth cutters use the form and diagrams below for a quote.



Name _____ Phone _____
 Company _____ Fax _____
 Full Address _____

SPECIAL CARBIDE TIPPED STAGGERED TOOTH CUTTER ORDERING INFORMATION

D= _____ Cutter Diameter R1= _____ Radius/Chamfer (Left Side Top Coming) _____ Material Cutting
 W= _____ Cutter Width R2= _____ Radius/Chamfer (Right Side Top Coming) _____ Quantities
 A= _____ Arbor Hole Diameter C= _____ Carbide Length (If Partial Width Carbide) Herringbone Stagger - Full Width Carbide
 K= _____ Keyway Size S= _____ Axial Rake Angle Herringbone Stagger - Partial Width Carbide
 H= _____ Hub Diameter N= _____ # of Teeth Straight Stagger - Partial Width Carbide

Phone 941-739-2726 • Fax 941-739-2827 • www.lexingtoncutter.com • LEXINGTON CUTTER, INC.

NOTE: Standard tool tolerances as stated in this catalog will be applied unless another tolerance is specified.

Made in U.S.A.

CARBIDE TIPPED SLITTING SAWS - COARSE TOOTH

TYPE 3550 - FOR NON-FERROUS

Carbide tips brazed to alloy steel bodies.

For machining aluminum, magnesium, zinc, brass, bronze, plastics and non-metals.

TYPE 3552 - FOR CAST IRON

Carbide tips brazed to alloy steel bodies.

For machining most materials, especially cast iron and malleable iron.

TYPE 3554 - FOR STEEL

Carbide tips brazed to alloy steel bodies.

Steel cutting grade of carbide for machining most steels.

TYPE 3558 - FOR STAINLESS STEEL

Carbide tips brazed to alloy steel bodies.

High number of teeth for machining of stainless steel and related alloy steels. AISI type 200 thru 350 stainless steels.



ALL TYPES (page 16 & 17):
 Tool diameter tolerance: $+\frac{1}{16}"/-.000"$.
 Face width tolerance: $+.001"/-.000"$.
 Arbor hole tolerance: $+.001"/-.000"$.
 Sharpened on all 3 cutting edges.

TOOL DIAM.	WIDTH		ARBOR HOLE	TYPE 3550 FOR NON-FERROUS			TYPE 3552 FOR CAST IRON			TYPE 3554 FOR STEEL			TYPE 3558 FOR STAINLESS STEEL		
	FRAC.	DECIMAL		NO. OF TEETH	EDP NO.	PRICE EACH	NO. OF TEETH	EDP NO.	PRICE EACH	NO. OF TEETH	EDP NO.	PRICE EACH	NO. OF TEETH	EDP NO.	PRICE EACH
3	$\frac{3}{32}$.0938	1	6	355032	\$190.55	6	355232	\$219.35	8	355432	\$217.40	8	355832	\$203.70
3	$\frac{1}{8}$.1250	1	6	355034	196.25	6	355234	232.25	8	355434	243.30	8	355834	211.45
3	$\frac{3}{16}$.1875	1	6	355036	204.05	6	355236	245.60	8	355436	245.60	8	355836	219.65
3	$\frac{1}{4}$.2500	1	6	355037	138.75	6	355237	201.40	8	355437	201.40	8	355837	241.75
3	$\frac{5}{16}$.3125	1	6	355031	145.75	6	355231	201.40	8	355431	201.40	8	355831	241.75
3	$\frac{3}{8}$.3750	1	6	355038	148.60	6	355238	204.65	8	355438	204.65	8	355838	245.60
4	$\frac{3}{32}$.0938	1	6	355042	233.95	8	355242	281.20	8	355442	281.20	10	355842	293.10
4	$\frac{1}{8}$.1250	1	6	355044	240.85	8	355244	284.95	8	355444	284.95	10	355844	296.80
4	$\frac{3}{16}$.1875	1	6	355046	244.50	8	355246	307.05	8	355446	307.05	10	355846	300.90
4	$\frac{1}{4}$.2500	1	6	355047	178.40	8	355247	260.75	8	355447	260.75	10	355847	313.05
4	$\frac{5}{16}$.3125	1	6	355041	183.35	8	355241	270.85	8	355441	270.85	10	355841	324.85
4	$\frac{3}{8}$.3750	1	6	355048	188.25	8	355248	280.70	8	355448	280.70	10	355848	336.80
4	$\frac{7}{8}$.3750	1 1/4	6	355049	188.25	8	355249	280.70	8	355449	280.70	10	355849	336.80
5	$\frac{3}{32}$.0938	1	8	355052	253.10	10	355252	377.55	10	355452	377.55	12	355852	398.45
5	$\frac{1}{8}$.1250	1	8	355054	253.10	10	355254	406.00	10	355454	406.00	12	355854	406.70
5	$\frac{3}{16}$.1875	1	-	-	-	10	355256	457.05	10	355456	457.05	12	355856	422.95
6	$\frac{1}{8}$.1250	1 1/4	8	355063	344.65	12	355263	495.50	12	355463	495.50	14	355863	475.75
6	$\frac{3}{16}$.1875	1 1/4	8	355065	454.25	12	355265	511.85	12	355465	511.85	14	355865	488.00
6	$\frac{1}{4}$.2500	1 1/4	8	355067	470.50	12	355267	522.50	12	355467	522.50	14	355867	496.05
8	$\frac{1}{8}$.1250	1 1/4	10	355083	440.60	-	-	-	-	-	-	-	-	-
8	$\frac{3}{16}$.1875	1 1/4	-	-	-	16	355285	704.40	16	355485	704.40	-	-	-
8	$\frac{1}{4}$.2500	1 1/4	-	-	-	16	355287	731.30	16	355487	731.30	-	-	-

CARBIDE TIPPED SLITTING SAWS - STANDARD TOOTH



TYPE 3551 - FOR NON-FERROUS

Similar to our Type 3550
Except designed with more teeth for better finishes.

TYPE 3553 - FOR CAST IRON

Similar to our Type 3552
Except designed with more teeth for better finishes.

TYPE 3556 - FOR STEEL

Similar to our Type 3554
Except designed with more teeth for better finishes.

TYPE 3559 - FOR STAINLESS STEEL

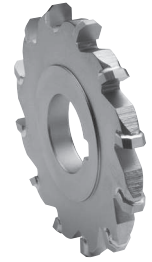
Similar to our Type 3558
Except designed with more teeth for better finishes.

TOOL DIAM.	WIDTH		TYPE 3551 FOR NON-FERROUS				TYPE 3553 FOR CAST IRON				TYPE 3556 FOR STEEL				TYPE 3559 FOR STAINLESS STEEL			
	FRACTION	DEC.	NO. OF TEETH	1"ARBOR EDP NO.	1 1/4"ARBOR EDP NO.	PRICE EACH	NO. OF TEETH	1"ARBOR EDP NO.	1 1/4"ARBOR EDP NO.	PRICE EACH	NO. OF TEETH	1"ARBOR EDP NO.	1 1/4"ARBOR EDP NO.	PRICE EACH	NO. OF TEETH	1"ARBOR EDP NO.	1 1/4"ARBOR EDP NO.	PRICE EACH
3	1/16	.0625	12	355198	-	\$300.20	12	355398	-	\$300.20	16	355698	-	\$359.00	12	355998	-	\$337.70
3	3/64	.0781	12	355100	-	355.05	12	355300	-	355.05	16	355600	-	434.05	12	355900	-	378.25
3	3/32	.0938	12	355102	-	300.20	12	355302	-	300.20	16	355602	-	359.00	12	355902	-	337.70
3	7/64	.1094	12	355104	-	299.10	12	355304	-	299.10	16	355604	-	331.25	12	355904	-	322.30
3	1/8	.1250	12	355106	355107	241.35	12	355306	355307	241.35	16	355606	-	300.15	12	355906	355907	307.85
3	5/32	.1562	12	355108	-	287.60	12	355308	-	287.60	16	355608	-	315.30	12	355908	-	315.30
3	3/16	.1875	12	355109	-	257.25	12	355309	-	257.25	16	355609	-	330.50	12	355909	-	322.85
3	7/32	.2188	12	355110	-	297.60	12	355310	-	297.60	16	355610	-	345.60	12	355910	-	333.10
3	1/4	.2500	12	355111	-	312.90	12	355311	-	312.90	16	355611	-	360.90	12	355911	-	343.10
3	3/16	.3125	12	355112	-	343.10	12	355312	-	343.10	16	355612	-	395.65	12	355912	-	375.80
3	3/8	.3750	12	355113	-	373.35	12	355313	-	373.35	16	355613	-	430.60	12	355913	-	411.15
3	7/16	.4375	-	-	-	-	-	-	-	-	16	355614	-	478.45	12	355914	-	446.75
3	1/2	.5000	-	-	-	-	-	-	-	-	16	355615	-	531.65	12	355915	-	482.15
4	1/16	.0625	14	355116	355117	349.55	14	355316	-	349.55	20	355616	-	434.05	14	355916	355917	384.00
4	3/64	.0781	14	355118	355119	412.90	14	355318	355319	412.90	20	355618	355619	474.95	14	355918	355919	440.00
4	3/32	.0938	14	355120	355121	349.55	14	355320	355321	349.55	20	355620	355621	434.05	14	355920	355921	384.00
4	7/64	.1094	14	355122	355123	357.00	14	355322	355323	357.00	20	355622	355623	410.45	14	355922	355923	455.35
4	1/8	.1250	14	355124	355125	315.30	14	355324	355325	315.30	20	355624	355625	383.45	14	355924	355925	383.45
4	5/32	.1562	14	355126	355127	358.10	14	355326	355327	358.10	20	355626	355627	411.95	14	355926	355927	393.55
4	3/16	.1875	14	355128	355129	335.60	14	355328	355329	335.60	20	355628	355629	413.75	14	355928	355929	406.10
4	7/32	.2188	14	355130	355131	380.95	14	355330	355331	380.95	20	355630	355631	438.10	14	355930	355931	418.85
4	1/4	.2500	14	355132	355133	388.30	14	355332	355333	388.30	20	355632	355633	443.80	14	355932	355933	428.90
4	3/16	.3125	14	355134	355135	418.85	14	355334	355335	418.85	20	355634	355635	481.55	14	355934	355935	459.15
4	3/8	.3750	14	355136	355137	449.05	14	355336	355337	449.05	20	355636	355637	516.35	14	355936	355937	494.30
4	7/16	.4375	-	-	-	-	-	-	-	-	20	355638	-	573.70	14	355938	-	529.95
4	1/2	.5000	-	-	-	-	-	-	-	-	20	355640	-	637.55	14	355940	-	565.55
5	3/64	.0781	16	355142	355143	511.45	16	355342	355343	511.45	24	355642	355643	588.10	16	355942	355943	542.20
5	3/32	.0938	16	355144	355145	422.05	16	355344	355345	422.05	24	355644	355645	592.25	16	355944	355945	465.00
5	7/64	.1094	16	355146	355147	480.45	16	355346	355347	480.45	24	355646	355647	552.55	16	355946	355947	511.45
5	1/8	.1250	16	355148	355149	389.85	16	355348	355349	389.85	24	355648	355649	479.20	16	355948	355949	451.60
5	5/32	.1562	16	355150	355151	426.30	16	355350	355351	426.30	24	355650	355651	490.25	16	355950	355951	466.50
5	3/16	.1875	16	355152	355153	436.60	16	355352	355353	436.60	24	355652	355653	524.65	16	355952	355953	491.85
5	7/32	.2188	16	355154	355155	469.15	16	355354	355355	469.15	24	355654	355655	539.60	16	355954	355955	517.15
5	1/4	.2500	16	355156	355157	489.40	16	355356	355357	489.40	24	355656	355657	562.80	16	355956	355957	542.25
5	3/16	.3125	16	355158	355159	532.15	16	355358	355359	532.15	24	355658	355659	612.10	16	355958	355959	585.15
5	3/8	.3750	16	355160	355161	575.10	16	355360	355361	575.10	24	355660	355661	661.25	16	355960	355961	630.65
5	7/16	.4375	-	-	-	-	-	-	-	-	24	355662	-	734.90	16	355962	-	666.15
5	1/2	.5000	-	-	-	-	-	-	-	-	24	355664	-	816.50	16	355964	-	701.70
6	3/64	.0781	18	355166	355167	575.05	18	355366	355367	575.05	28	355666	355667	661.20	18	355966	355967	609.70
6	3/32	.0938	18	355168	355169	512.15	18	355368	355369	512.15	28	355668	355669	605.75	18	355968	355969	561.45
6	7/64	.1094	18	355170	355171	577.00	18	355370	355371	577.00	28	355670	355671	663.50	18	355970	355971	611.80
6	1/8	.1250	18	355172	355173	488.10	18	355372	355373	488.10	28	355672	355673	635.60	18	355972	355973	577.55
6	5/32	.1562	18	355174	355175	552.25	18	355374	355375	552.25	28	355674	355675	635.30	18	355974	355975	602.80
6	3/16	.1875	18	355176	355177	534.75	18	355376	355377	534.75	28	355676	355677	681.55	18	355976	355977	627.95
6	7/32	.2188	18	355178	355179	602.80	18	355378	355379	602.80	28	355678	355679	693.25	18	355978	355979	653.25
6	1/4	.2500	18	355180	355181	628.05	18	355380	355381	628.05	28	355680	355681	741.05	18	355980	355981	688.15
6	3/16	.3125	18	355182	355183	653.40	18	355382	355383	653.40	28	355682	355683	751.35	18	355982	355983	718.85
6	3/8	.3750	18	355184	355185	678.50	18	355384	355385	678.50	28	355684	355685	780.20	18	355984	355985	746.55
6	7/16	.4375	-	-	-	-	-	-	-	-	28	355690	-	866.80	18	355990	-	782.05
6	1/2	.5000	-	-	-	-	-	-	-	-	28	355692	-	963.20	18	355992	-	817.70
8	1/8	.1250	24	-	355186	810.40	24	-	355386	810.40	24	-	355686	856.65	24	-	355986	856.65
8	5/32	.1562	24	-	355187	820.05	24	-	355387	820.05	24	-	355687	866.35	24	-	355987	866.35
8	3/16	.1875	24	-	355188	829.70	24	-	355388	829.70	24	-	355688	876.00	24	-	355988	876.00
8	1/4	.2500	24	-	355189	879.80	24	-	355389	879.80	24	-	355689	926.15	24	-	355989	926.15

Phone 941-739-2726 • Fax 941-739-2827 • www.lexingtoncutter.com • LEXINGTON CUTTER, INC.

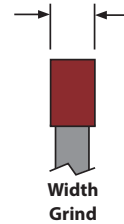
3" CARBIDE TIPPED MILLING CUTTERS GENERAL PURPOSE

TYPE 3559 - GENERAL PURPOSE



Width grinds between .0600" and .5312"

TOOL DIAM.	DECIMAL SIZE WIDTH RANGE	HUB WIDTH	1"ARBOR EDP NO.	PRICE EACH - FINISHED TO DECIMAL WIDTH					
				1 PC	2 PC	3 PC	4 PC	5PC	6PC
3	.0600-.0703	.0555	355998D	\$415.15	\$385.15	\$380.00	\$377.25	\$375.60	\$337.70
3	.0704-.0859	.0711	355900D	455.75	425.75	420.55	417.80	416.10	378.25
3	.0860-.1015	.0867	355902D	415.15	385.15	380.00	377.25	375.60	337.70
3	.1016-.1171	.1024	355904D	399.80	369.90	364.60	361.85	360.25	322.30
3	.1172-.1406	.1180	355906D	385.30	355.35	350.10	347.35	345.70	307.85
3	.1407-.1718	.1562	355908D	392.75	362.90	357.65	354.90	353.25	315.30
3	.1719-.2031	.1875	355909D	400.30	370.35	365.05	362.40	360.75	322.85
3	.2032-.2343	.2188	355910D	410.45	380.65	375.40	372.65	371.00	333.10
3	.2344-.2812	.2500	355911D	420.70	390.75	385.40	382.70	381.10	343.10
3	.2813-.3437	.3125	355912D	453.35	423.45	418.20	415.50	413.90	375.80
3	.3438-.4062	.3750	355913D	488.60	458.65	453.35	450.60	449.00	411.15
3	.4063-.4687	.4375	355914D	524.15	494.15	489.00	486.25	484.60	446.75
3	.4688-.5312	.5000	355915D	559.75	529.80	524.50	521.85	520.20	482.15



Cutter Notes (All cutters on page)

- 12 Teeth
- C-2(m) Carbide
- 5° Positive Radial Rake
- Width Tolerance: +.001"/-.000"
- OD tolerance: +.0313"/-.000"
- 1" Arbor hole +.001"/-.000"
- ANSI standard keyway dimensions
- Add 5% to grind the hub width thinner
- Add 5% to match OD's on cutter sets within .001"
- Not designed to be used on heat treated materials greater than 363 Brinell (39RC)

Corner Radius or Chamfer on ONE Side

Radius Notes

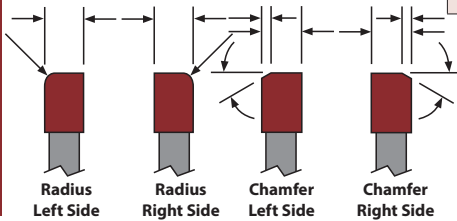
- Maximum radius on one side is .2656"
- Full radius and maximum radius on both sides is 1/2 the width of the cutter
- A non-tangent radii must be quoted

Chamfer Notes

- Chamfer Angles can range from 0° to 45°
- Chamfer is measured off of the OD
- Maximum chamfer is the LESSER of 1/3 the width of the cutter OR .2656" length of angle when measured across the OD
- Chamfer Angle Tolerance: +/- 1/2°
- Chamfers greater than 45° must be quoted

TOOL DIAM.	DECIMAL SIZE WIDTH RANGE	HUB WIDTH	1"ARBOR EDP NO.	PRICE EACH FINISHED WITH RADIUS OR CHAMFER					
				1 PC	2 PC	3 PC	4 PC	5 PC	6 PC
3	.0600-.0703	.0555	355998R1	\$435.40	\$391.10	\$385.15	\$382.20	\$380.35	\$379.45
3	.0704-.0859	.0711	355900R1	476.05	431.70	425.75	422.70	420.95	419.95
3	.0860-.1015	.0867	355902R1	435.40	391.10	385.15	382.20	380.35	379.45
3	.1016-.1171	.1024	355904R1	420.10	375.75	369.90	366.85	365.00	364.05
3	.1172-.1406	.1180	355906R1	405.60	361.20	355.35	352.30	350.50	349.50
3	.1407-.1718	.1562	355908R1	413.05	368.75	362.90	359.80	358.00	357.00
3	.1719-.2031	.1875	355909R1	420.65	376.20	370.35	367.35	365.60	364.55
3	.2032-.2343	.2188	355910R1	430.80	386.50	380.65	377.55	375.75	374.70
3	.2344-.2812	.2500	355911R1	440.90	396.50	390.75	387.70	385.85	384.90
3	.2813-.3437	.3125	355912R1	473.70	429.40	423.45	420.40	418.65	417.50
3	.3438-.4062	.3750	355913R1	508.95	464.50	458.65	455.60	453.80	452.85
3	.4063-.4687	.4375	355914R1	544.50	500.10	494.15	491.20	489.40	488.40
3	.4688-.5312	.5000	355915R1	580.00	535.65	529.80	526.80	524.90	523.95

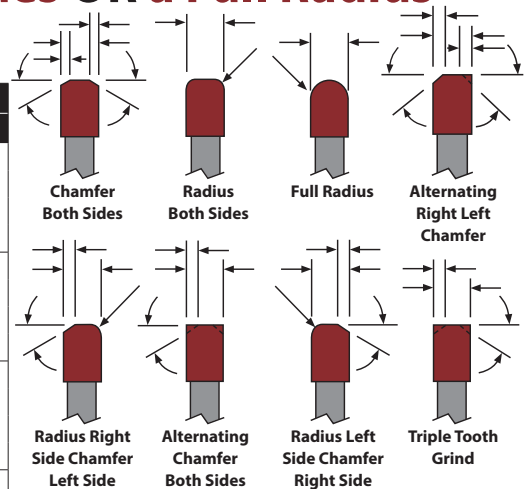
Specify side for radius or chamfer



Corner Radius or Chamfer on BOTH Sides OR a Full Radius

- Alternating Chamfers add 5%

TOOL DIAM.	DECIMAL SIZE WIDTH RANGE	HUB WIDTH	1"ARBOR EDP NO.	PRICE EACH FINISHED WITH RADIUS, CHAMFERS, OR COMBINATION					
				1 PC	2 PC	3 PC	4 PC	5 PC	6 PC
3	.0600-.0703	.0555	355998R2	\$446.25	\$397.05	\$390.60	\$387.10	\$385.10	\$384.00
3	.0704-.0859	.0711	355900R2	486.90	437.65	431.10	427.70	425.60	424.50
3	.0860-.1015	.0867	355902R2	446.25	397.05	390.60	387.10	385.10	384.00
3	.1016-.1171	.1024	355904R2	431.05	381.70	375.25	371.80	369.75	368.70
3	.1172-.1406	.1180	355906R2	416.50	367.20	360.60	357.25	355.20	354.15
3	.1407-.1718	.1562	355908R2	424.00	374.65	368.10	364.75	362.75	361.65
3	.1719-.2031	.1875	355909R2	431.40	382.20	375.65	372.25	370.25	369.15
3	.2032-.2343	.2188	355910R2	441.80	392.45	385.90	382.60	380.40	379.45
3	.2344-.2812	.2500	355911R2	451.80	402.45	396.00	392.60	390.60	389.50
3	.2813-.3437	.3125	355912R2	484.55	435.25	428.65	425.40	423.40	422.25
3	.3438-.4062	.3750	355913R2	519.85	470.50	463.95	460.65	458.50	457.45
3	.4063-.4687	.4375	355914R2	555.25	506.10	499.60	496.10	494.10	493.00
3	.4688-.5312	.5000	355915R2	590.85	541.75	535.05	531.70	529.70	528.60



4" CARBIDE TIPPED MILLING CUTTERS GENERAL PURPOSE

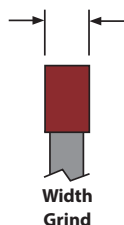
TYPE 3559 - GENERAL PURPOSE



Width grinds between .0600" and .5312"

Cutter Notes (All cutters on page)

- 14 Teeth
- C-2(m) Carbide
- 5° Positive Radial Rake
- Width Tolerance: +.001"/-.000"
- OD tolerance: +.0313"/-.000"
- 1" Arbor hole +.001"/-.000"
- ANSI standard keyway dimensions
- Add 5% to grind the hub width thinner
- Add 5% to match OD's on cutter sets within .001"
- Not designed to be used on heat treated materials greater than 363 Brinell (39Rc)



TOOL DIAM.	DECIMAL SIZE WIDTH RANGE	HUB WIDTH	1"ARBOR EDP NO.	PRICE EACH FINISHED TO DECIMAL WIDTH					
				1 PC	2 PC	3 PC	4 PC	5PC	6PC
4	.0600 - .0703	.0545	355916D	\$475.35	\$440.90	\$434.65	\$431.40	\$429.45	\$384.05
4	.0704 - .0859	.0701	355918D	531.35	496.85	490.55	487.35	485.40	440.00
4	.0860 - .1015	.0858	355920D	475.35	440.90	434.65	431.40	429.45	384.05
4	.1016 - .1171	.1014	355922D	546.70	512.30	505.95	502.80	500.80	455.35
4	.1172 - .1406	.1170	355924D	474.80	440.30	433.90	430.75	428.80	383.45
4	.1407 - .1718	.1562	355926D	484.80	450.40	444.10	440.90	438.90	393.55
4	.1719 - .2031	.1875	355928D	497.35	462.95	456.65	453.45	451.45	406.10
4	.2032 - .2343	.2188	355930D	510.10	475.70	469.40	466.20	464.20	418.80
4	.2344 - .2812	.2500	355932D	520.20	485.70	479.40	476.20	474.20	428.90
4	.2813 - .3437	.3125	355934D	550.35	515.90	509.60	506.40	504.40	459.15
4	.3438 - .4062	.3750	355936D	585.75	551.30	545.00	541.80	539.75	494.30
4	.4063 - .4687	.4375	355938D	621.30	586.85	580.55	577.30	575.25	529.95
4	.4688 - .5312	.5000	355940D	656.90	622.30	616.10	612.80	610.90	565.55

Corner Radius or Chamfer on ONE Side

TOOL DIAM.	DECIMAL SIZE WIDTH RANGE	HUB WIDTH	1"ARBOR EDP NO.	PRICE EACH FINISHED TO DECIMAL WIDTH					
				1 PC	2 PC	3 PC	4 PC	5PC	6PC
4	.0600 - .0703	.0545	355916R1	\$497.30	\$447.35	\$440.45	\$436.75	\$434.65	\$433.50
4	.0704 - .0859	.0701	355918R1	553.25	503.30	496.40	492.70	490.55	489.40
4	.0860 - .1015	.0858	355920R1	497.30	447.35	440.45	436.75	434.65	433.50
4	.1016 - .1171	.1014	355922R1	568.65	518.75	511.70	508.10	505.95	504.80
4	.1172 - .1406	.1170	355924R1	496.70	446.75	439.70	436.15	433.90	432.80
4	.1407 - .1718	.1562	355926R1	506.70	456.80	449.85	446.25	444.10	442.90
4	.1719 - .2031	.1875	355928R1	519.35	469.40	462.40	458.80	456.65	455.45
4	.2032 - .2343	.2188	355930R1	532.15	482.10	475.20	471.60	469.40	468.15
4	.2344 - .2812	.2500	355932R1	542.10	492.15	485.20	481.55	479.40	478.20
4	.2813 - .3437	.3125	355934R1	572.30	522.30	515.40	511.75	509.60	508.35
4	.3438 - .4062	.3750	355936R1	607.60	557.70	550.70	547.10	545.00	543.75
4	.4063 - .4687	.4375	355938R1	643.25	593.30	586.25	582.70	580.55	579.35
4	.4688 - .5312	.5000	355940R1	678.80	628.85	621.85	618.25	616.10	614.95

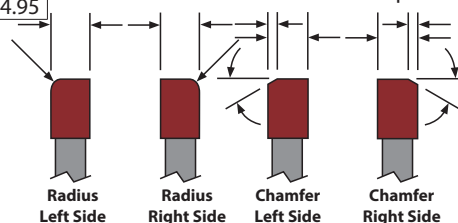
Radius Notes

- Maximum radius on one side is .2656"
- Full radius and maximum radius on both sides is 1/2 the width of the cutter
- A non-tangent radii must be quoted

Chamfer Notes

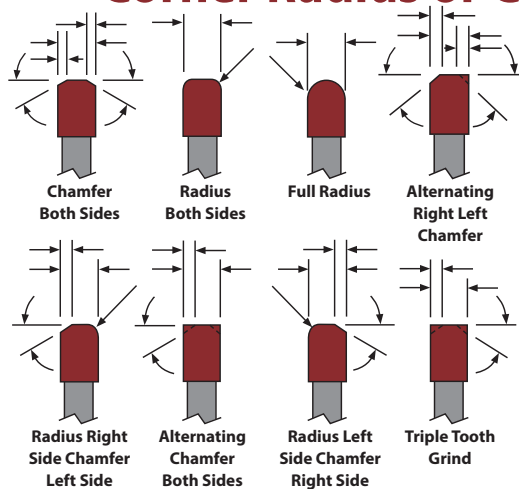
- Chamfer Angles can range from 0° to 45°
- Chamfer is measured off of the OD
- Maximum chamfer is the LESSER of 1/2 the width of the cutter OR .2656" length of angle when measured across the OD
- Chamfer Angle Tolerance: +/- 1/2°
- Chamfers greater than 45° must be quoted

Specify side for radius or chamfer



Corner Radius or Chamfer on BOTH Sides OR a Full Radius

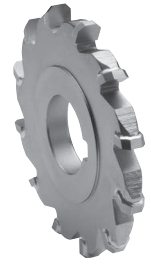
- Alternating Chamfers add 5%



TOOL DIAM.	DECIMAL SIZE WIDTH RANGE	HUB WIDTH	1"ARBOR EDP NO.	PRICE EACH FINISHED TO DECIMAL WIDTH					
				1 PC	2 PC	3 PC	4 PC	5PC	6PC
4	.0600 - .0703	.0545	355916R2	\$508.95	\$453.90	\$446.10	\$442.15	\$439.70	\$438.45
4	.0704 - .0859	.0701	355918R2	564.75	509.75	502.05	498.10	495.65	494.30
4	.0860 - .1015	.0858	355920R2	508.95	453.90	446.10	442.15	439.70	438.45
4	.1016 - .1171	.1014	355922R2	580.25	525.20	517.45	513.55	511.10	509.75
4	.1172 - .1406	.1170	355924R2	508.20	453.20	445.50	441.50	439.10	437.80
4	.1407 - .1718	.1562	355926R2	518.35	463.30	455.50	451.65	449.15	447.85
4	.1719 - .2031	.1875	355928R2	531.00	475.85	468.15	464.20	461.65	460.55
4	.2032 - .2343	.2188	355930R2	543.65	488.60	480.90	476.95	474.60	473.25
4	.2344 - .2812	.2500	355932R2	553.60	498.60	490.90	486.90	484.55	483.20
4	.2813 - .3437	.3125	355934R2	583.90	528.80	521.10	517.15	514.75	513.45
4	.3438 - .4062	.3750	355936R2	619.20	564.15	556.45	552.50	550.10	548.80
4	.4063 - .4687	.4375	355938R2	654.80	599.75	592.05	588.05	585.60	584.40
4	.4688 - .5312	.5000	355940R2	690.35	635.35	627.60	623.60	621.20	619.85

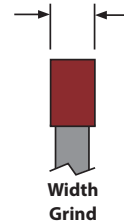
5" CARBIDE TIPPED MILLING CUTTERS GENERAL PURPOSE

TYPE 3559 - GENERAL PURPOSE



Width grinds between .0704" and .5312"

TOOL DIAM.	DECIMAL SIZE WIDTH RANGE	HUB WIDTH	1"ARBOR EDP NO.	PRICE EACH FINISHED TO DECIMAL WIDTH					
				1 PC	2 PC	3 PC	4 PC	5PC	6PC
5	.0704-.0859	.0691	355942D	\$635.60	\$600.30	\$593.80	\$590.55	\$588.65	\$542.20
5	.0860-.1015	.0848	355944D	558.45	523.20	516.80	513.55	511.55	465.00
5	.1016-.1171	.1004	355946D	604.80	569.55	563.10	559.85	557.85	511.45
5	.1172-.1406	.1160	355948D	545.00	509.60	503.30	499.95	498.05	451.60
5	.1407-.1718	.1562	355950D	559.90	524.65	518.35	514.95	512.95	466.50
5	.1719-.2031	.1875	355952D	585.30	550.05	543.65	540.40	538.40	491.85
5	.2032-.2343	.2188	355954D	610.60	575.25	568.90	565.65	563.55	517.15
5	.2344-.2812	.2500	355956D	635.65	600.35	594.05	590.70	588.80	542.25
5	.2813-.3437	.3125	355958D	678.50	643.25	636.85	633.50	631.50	585.15
5	.3438-.4062	.3750	355960D	723.95	688.65	682.35	679.00	677.00	630.65
5	.4063-.4687	.4375	355962D	759.50	724.25	717.95	714.60	712.60	666.15
5	.4688-.5312	.5000	355964D	795.15	759.90	753.50	750.15	748.15	701.70



Cutter Notes (All cutters on page)

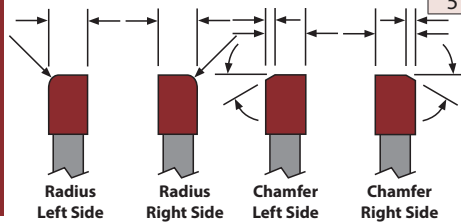
- 16 Teeth
- C-2(m) Carbide
- 5° Positive Radial Rake
- Width Tolerance: +.001"/-.000"
- OD tolerance: +.0313"/-.000"
- 1" Arbor hole +.001"/-.000"
- ANSI standard keyway dimensions
- Add 5% to grind the hub width thinner
- Add 5% to match OD's on cutter sets within .001"
- Not designed to be used on heat treated materials greater than 363 Brinell (39RC)

Radius Notes

- Maximum radius on one side is .2656"
- Full radius and maximum radius on both sides is 1/2 the width of the cutter
- A non-tangent radii must be quoted

Chamfer Notes

- Chamfer Angles can range from 0° to 45°
- Chamfer is measured off of the OD
- Maximum chamfer is the LESSER of 1/3 the width of the cutter OR .2656" length of angle when measured across the OD
- Chamfer Angle Tolerance: +/- 1/2°
- Chamfers greater than 45° must be quoted



Corner Radius or Chamfer on ONE Side

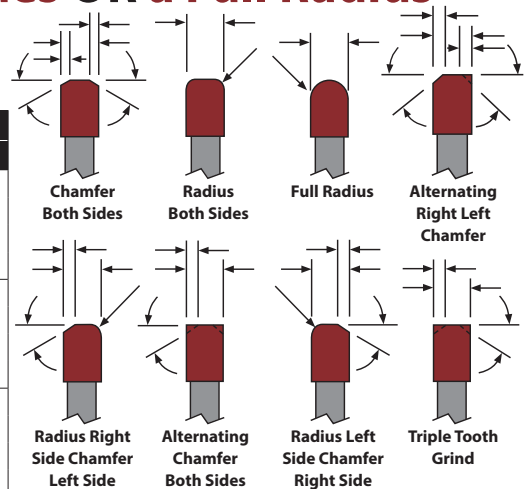
TOOL DIAM.	DECIMAL SIZE WIDTH RANGE	HUB WIDTH	1"ARBOR EDP NO.	PRICE EACH FINISHED TO DECIMAL WIDTH					
				1 PC	2 PC	3 PC	4 PC	5PC	6PC
5	.0704-.0859	.0691	355942R1	\$657.70	\$606.75	\$599.70	\$595.90	\$593.65	\$592.55
5	.0860-.1015	.0848	355944R1	580.70	529.70	522.50	518.90	516.65	515.40
5	.1016-.1171	.1004	355946R1	627.00	576.10	568.90	565.25	562.95	561.85
5	.1172-.1406	.1160	355948R1	567.10	516.15	509.10	505.30	503.15	501.95
5	.1407-.1718	.1562	355950R1	582.15	531.10	524.00	520.35	518.05	516.95
5	.1719-.2031	.1875	355952R1	607.50	556.50	549.40	545.65	543.50	542.25
5	.2032-.2343	.2188	355954R1	632.70	581.75	574.60	570.95	568.65	567.50
5	.2344-.2812	.2500	355956R1	657.85	606.95	599.75	596.10	593.80	592.65
5	.2813-.3437	.3125	355958R1	700.65	649.70	642.55	638.85	636.70	635.50
5	.3438-.4062	.3750	355960R1	746.15	695.20	688.05	684.35	682.20	681.00
5	.4063-.4687	.4375	355962R1	781.75	730.80	723.60	719.95	717.75	716.55
5	.4688-.5312	.5000	355964R1	817.25	766.35	759.20	755.60	753.20	752.10

Specify side for radius or chamfer

Corner Radius or Chamfer on BOTH Sides OR a Full Radius

- Alternating Chamfers add 5%

TOOL DIAM.	DECIMAL SIZE WIDTH RANGE	HUB WIDTH	1"ARBOR EDP NO.	PRICE EACH FINISHED TO DECIMAL WIDTH					
				1 PC	2 PC	3 PC	4 PC	5PC	6PC
5	.0704-.0859	.0691	355942R2	\$680.85	\$619.70	\$611.10	\$606.65	\$604.05	\$602.65
5	.0860-.1015	.0848	355944R2	603.85	542.55	534.00	529.65	526.95	525.55
5	.1016-.1171	.1004	355946R2	650.05	588.95	580.40	575.95	573.35	571.85
5	.1172-.1406	.1160	355948R2	590.25	529.05	520.50	516.05	513.45	512.05
5	.1407-.1718	.1562	355950R2	605.25	544.05	535.50	531.10	528.45	526.95
5	.1719-.2031	.1875	355952R2	630.65	569.40	560.80	556.45	553.75	552.35
5	.2032-.2343	.2188	355954R2	655.80	594.70	586.10	581.75	579.05	577.65
5	.2344-.2812	.2500	355956R2	681.00	619.80	611.20	606.80	604.20	602.80
5	.2813-.3437	.3125	355958R2	723.75	662.60	654.05	649.60	646.95	645.55
5	.3438-.4062	.3750	355960R2	769.30	708.00	699.55	695.10	692.45	691.10
5	.4063-.4687	.4375	355962R2	804.90	743.65	735.10	730.70	728.05	726.65
5	.4688-.5312	.5000	355964R2	840.40	779.25	770.70	766.35	763.60	762.20



6" CARBIDE TIPPED MILLING CUTTERS GENERAL PURPOSE

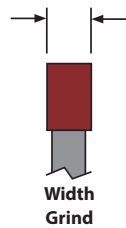


TYPE 3559 - GENERAL PURPOSE

Width grinds between .0704" and .5312"

Cutter Notes (All cutters on page)

- 18 Teeth
- C-2(m) Carbide
- 5° Positive Radial Rake
- Width Tolerance: +.001"/-.000"
- OD tolerance: +.0313"/-.000"
- 1" Arbor hole +.001"/-.000"
- ANSI standard keyway dimensions
- Add 5% to grind the hub width thinner
- Add 5% to match OD's on cutter sets within .001"
- Not designed to be used on heat treated materials greater than 363 Brinell (39Rc)



TOOL DIAM.	DECIMAL SIZE WIDTH RANGE	HUB WIDTH	1"ARBOR EDP NO.	PRICE EACH FINISHED TO DECIMAL WIDTH					
				1 PC	2 PC	3 PC	4 PC	5PC	6PC
6	.0704 - .0859	.0681	355966D	707.25	670.40	663.70	660.30	658.15	609.70
6	.0860 - .1015	.0838	355968D	658.95	622.15	615.50	612.10	609.90	561.45
6	.1016 - .1171	.0994	355970D	709.30	672.55	665.80	662.30	660.30	611.80
6	.1172 - .1406	.1150	355972D	675.00	638.25	631.50	628.05	626.05	577.55
6	.1407 - .1718	.1562	355974D	700.25	663.50	656.80	653.35	651.25	602.80
6	.1719 - .2031	.1875	355976D	725.55	688.65	682.10	678.50	676.40	627.95
6	.2032 - .2343	.2188	355978D	750.75	713.95	707.25	703.80	701.70	653.25
6	.2344 - .2812	.2500	355980D	785.65	748.85	742.05	738.65	736.60	688.15
6	.2813 - .3437	.3125	355982D	816.40	779.55	772.95	769.45	767.40	718.85
6	.3438 - .4062	.3750	355984D	844.00	807.15	800.60	797.05	795.00	746.45
6	.4063 - .4687	.4375	355990D	879.55	842.75	836.10	832.60	830.50	782.05
6	.4688 - .5312	.5000	355992D	915.10	878.40	871.65	868.20	866.15	817.70

Corner Radius or Chamfer on ONE Side

TOOL DIAM.	DECIMAL SIZE WIDTH RANGE	HUB WIDTH	1"ARBOR EDP NO.	PRICE EACH FINISHED TO DECIMAL WIDTH					
				1 PC	2 PC	3 PC	4 PC	5PC	6PC
6	.0704 - .0859	.0681	355966R1	\$729.85	\$676.85	\$669.45	\$665.65	\$663.35	\$662.10
6	.0860 - .1015	.0838	355968R1	681.60	628.60	621.20	617.40	615.10	613.85
6	.1016 - .1171	.0994	355970R1	732.00	678.95	671.50	667.65	665.35	664.15
6	.1172 - .1406	.1150	355972R1	697.70	644.65	637.25	633.35	631.15	629.90
6	.1407 - .1718	.1562	355974R1	722.95	669.95	662.45	658.75	656.35	655.10
6	.1719 - .2031	.1875	355976R1	748.15	695.20	687.75	683.90	681.60	680.40
6	.2032 - .2343	.2188	355978R1	773.40	720.40	713.05	709.15	706.90	705.65
6	.2344 - .2812	.2500	355980R1	808.25	755.35	747.85	744.10	741.70	740.45
6	.2813 - .3437	.3125	355982R1	839.05	786.05	778.75	774.80	772.50	771.25
6	.3438 - .4062	.3750	355984R1	866.65	813.70	806.25	802.40	800.15	798.90
6	.4063 - .4687	.4375	355990R1	902.20	849.30	841.85	838.00	835.65	834.45
6	.4688 - .5312	.5000	355992R1	937.80	884.85	877.35	873.65	871.25	870.00

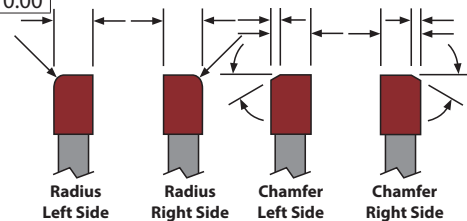
Radius Notes

- Maximum radius on one side is .2656"
- Full radius and maximum radius on both sides is 1/2 the width of the cutter
- A non-tangent radii must be quoted

Chamfer Notes

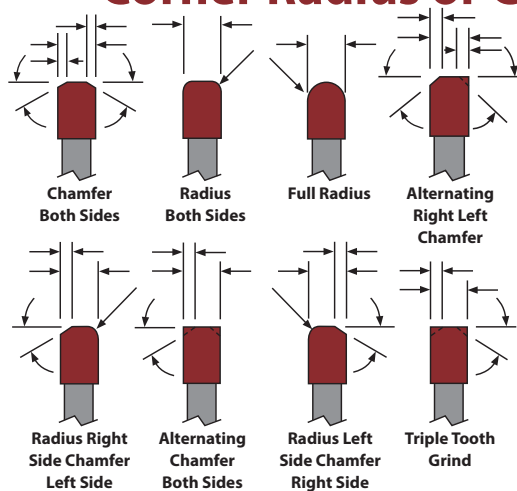
- Chamfer Angles can range from 0° to 45°
- Chamfer is measured off of the OD
- Maximum chamfer is the LESSER of 1/2 the width of the cutter OR .2656" length of angle when measured across the OD
- Chamfer Angle Tolerance: +/- 1/2°
- Chamfers greater than 45° must be quoted

Specify side for radius or chamfer



Corner Radius or Chamfer on BOTH Sides OR a Full Radius

- Alternating Chamfers add 5%



TOOL DIAM.	DECIMAL SIZE WIDTH RANGE	HUB WIDTH	1"ARBOR EDP NO.	PRICE EACH FINISHED TO DECIMAL WIDTH					
				1 PC	2 PC	3 PC	4 PC	5PC	6PC
6	.0704-.0859	.0681	355966R2	\$753.00	\$689.85	\$681.00	\$676.40	\$673.60	\$672.10
6	.0860-.1015	.0838	355968R2	704.75	641.60	632.70	628.10	625.35	623.85
6	.1016-.1171	.0994	355970R2	755.15	691.90	683.00	678.50	675.75	674.25
6	.1172-.1406	.1150	355972R2	720.85	657.65	648.75	644.20	641.45	640.00
6	.1407-.1718	.1562	355974R2	746.10	682.85	674.05	669.45	666.70	665.20
6	.1719-.2031	.1875	355976R2	771.25	708.00	699.25	694.75	692.00	690.50
6	.2032-.2343	.2188	355978R2	796.55	733.40	724.50	719.95	717.15	715.65
6	.2344-.2812	.2500	355980R2	831.40	768.20	759.35	754.75	752.00	750.60
6	.2813-.3437	.3125	355982R2	862.15	799.05	790.15	785.65	782.80	781.35
6	.3438-.4062	.3750	355984R2	889.75	826.60	817.75	813.25	810.50	809.00
6	.4063-.4687	.4375	355990R2	925.35	862.15	853.35	848.85	846.05	844.55
6	.4688-.5312	.5000	355992R2	960.95	897.75	888.90	884.45	881.65	880.10

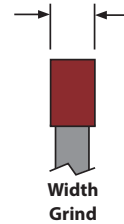
3" CARBIDE TIPPED MILLING CUTTERS FOR STEEL

TYPE 3556 - FOR STEEL



Width grinds between .0600" and .5312"

TOOL DIAM.	DECIMAL SIZE WIDTH RANGE	HUB WIDTH	1"ARBOR EDP NO.	PRICE EACH - FINISHED TO DECIMAL WIDTH					
				1 PC	2 PC	3 PC	4 PC	5PC	6PC
3	.0600-.0703	.0555	355698D	\$437.35	\$407.80	\$402.30	\$399.55	\$397.85	\$359.00
3	.0704-.0859	.0711	355600D	512.35	482.80	477.40	474.75	473.00	434.05
3	.0860-.1015	.0867	355602D	437.35	407.80	402.30	399.55	397.85	359.00
3	.1016-.1171	.1024	355604D	409.50	379.90	374.50	371.80	370.10	331.25
3	.1172-.1406	.1180	355606D	378.40	348.90	343.45	340.80	339.00	300.15
3	.1407-.1718	.1562	355608D	393.65	364.10	358.70	355.95	354.15	315.30
3	.1719-.2031	.1875	355609D	408.75	379.25	373.90	371.15	369.35	330.50
3	.2032-.2343	.2188	355610D	423.90	394.35	389.05	386.30	384.60	345.60
3	.2344-.2812	.2500	355611D	439.20	409.65	404.25	401.55	399.80	360.90
3	.2813-.3437	.3125	355612D	474.00	444.40	439.05	436.30	434.60	395.70
3	.3438-.4062	.3750	355613D	508.95	479.40	474.00	471.25	469.45	430.60
3	.4063-.4687	.4375	355614D	556.70	527.20	521.85	519.10	517.40	478.45
3	.4688-.5312	.5000	355615D	609.90	580.40	575.05	572.30	570.60	531.65



Cutter Notes (All cutters on page)

- 16 Teeth
- C-5 Carbide
- 0° - 3° Positive Radial Rake
- Width Tolerance: +.001"/-.000"
- OD tolerance: +.0313"/-.000"
- 1" Arbor hole +.001"/-.000"
- ANSI standard keyway dimensions
- Add 5% to grind the hub width thinner
- Add 5% to match OD's on cutter sets within .001"
- Not designed to be used on heat treated materials greater than 475 Brinell (50RC)

Corner Radius or Chamfer on ONE Side

Radius Notes

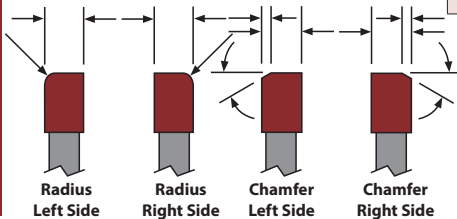
- Maximum radius on one side is .2656"
- Full radius and maximum radius on both sides is 1/2 the width of the cutter
- A non-tangent radii must be quoted

Chamfer Notes

- Chamfer Angles can range from 0° to 45°
- Chamfer is measured off of the OD
- Maximum chamfer is the LESSER of 1/3 the width of the cutter OR .2656" length of angle when measured across the OD
- Chamfer Angle Tolerance: +/- 1/2°
- Chamfers greater than 45° must be quoted

TOOL DIAM.	DECIMAL SIZE WIDTH RANGE	HUB WIDTH	1"ARBOR EDP NO.	PRICE EACH FINISHED WITH RADIUS OR CHAMFER					
				1 PC	2 PC	3 PC	4 PC	5 PC	6 PC
3	.0600-.0703	.0555	355698R1	\$457.05	\$413.80	\$407.80	\$404.70	\$402.75	\$401.80
3	.0704-.0859	.0711	355600R1	532.25	488.90	482.90	479.80	477.90	476.90
3	.0860-.1015	.0867	355602R1	457.05	413.80	407.80	404.70	402.75	401.80
3	.1016-.1171	.1024	355604R1	429.30	386.00	380.00	376.85	375.00	373.95
3	.1172-.1406	.1180	355606R1	398.25	354.95	348.95	345.85	343.90	342.90
3	.1407-.1718	.1562	355608R1	413.35	370.20	364.15	361.05	359.05	358.10
3	.1719-.2031	.1875	355609R1	428.60	385.30	379.30	376.20	374.25	373.30
3	.2032-.2343	.2188	355610R1	443.80	400.45	394.45	391.35	389.50	388.45
3	.2344-.2812	.2500	355611R1	459.00	415.75	409.75	406.60	404.70	403.65
3	.2813-.3437	.3125	355612R1	493.80	450.45	444.45	441.35	439.50	438.45
3	.3438-.4062	.3750	355613R1	528.70	485.50	479.50	476.35	474.35	473.40
3	.4063-.4687	.4375	355614R1	576.60	533.30	527.25	524.15	522.30	521.35
3	.4688-.5312	.5000	355615R1	629.80	586.55	580.55	577.40	575.40	574.55

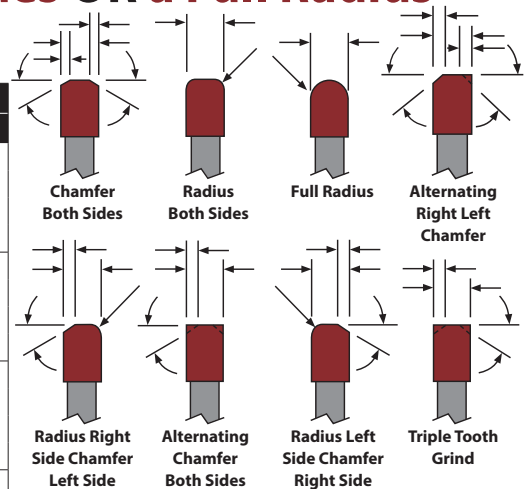
Specify side for radius or chamfer

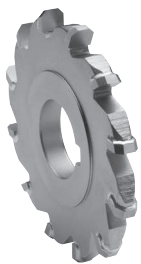


Corner Radius or Chamfer on BOTH Sides OR a Full Radius

- Alternating Chamfers add 5%

TOOL DIAM.	DECIMAL SIZE WIDTH RANGE	HUB WIDTH	1"ARBOR EDP NO.	PRICE EACH FINISHED WITH RADIUS, CHAMFERS, OR COMBINATION					
				1 PC	2 PC	3 PC	4 PC	5 PC	6 PC
3	.0600-.0703	.0555	355698R2	\$468.00	\$419.95	\$413.20	\$409.75	\$407.65	\$406.55
3	.0704-.0859	.0711	355600R2	543.15	495.05	488.25	484.80	482.75	481.55
3	.0860-.1015	.0867	355602R2	468.00	419.95	413.20	409.75	407.65	406.55
3	.1016-.1171	.1024	355604R2	440.15	392.15	385.30	381.90	379.85	378.70
3	.1172-.1406	.1180	355606R2	409.15	361.05	354.30	350.90	348.75	347.65
3	.1407-.1718	.1562	355608R2	424.30	376.20	369.50	366.10	363.95	362.85
3	.1719-.2031	.1875	355609R2	439.50	391.40	384.75	381.30	379.10	378.05
3	.2032-.2343	.2188	355610R2	454.70	406.60	399.85	396.40	394.30	393.10
3	.2344-.2812	.2500	355611R2	469.90	421.85	415.05	411.65	409.50	408.40
3	.2813-.3437	.3125	355612R2	504.70	456.65	449.85	446.40	444.30	443.20
3	.3438-.4062	.3750	355613R2	539.60	491.50	484.80	481.40	479.25	478.15
3	.4063-.4687	.4375	355614R2	587.50	539.45	532.70	529.25	527.10	526.00
3	.4688-.5312	.5000	355615R2	640.70	592.55	585.90	582.45	580.30	579.20





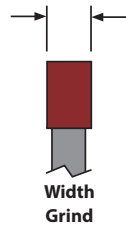
4" CARBIDE TIPPED MILLING CUTTERS FOR STEEL

TYPE 3556 - FOR STEEL

Width grinds between .0600" and .5312"

Cutter Notes (All cutters on page)

- 20 Teeth
- C-5 Carbide
- 5° Positive Radial Rake
- Width Tolerance: +.001"/-.000"
- OD tolerance: +.0313"/-.000"
- 1" Arbor hole +.001"/-.000"
- ANSI standard keyway dimensions
- Add 5% to grind the hub width thinner
- Add 5% to match OD's on cutter sets within .001"
- Not designed to be used on heat treated materials greater than 475 Brinell (50Rc)



TOOL DIAM.	DECIMAL SIZE WIDTH RANGE	HUB WIDTH	1"ARBOR EDP NO.	PRICE EACH FINISHED TO DECIMAL WIDTH					
				1 PC	2 PC	3 PC	4 PC	5PC	6PC
4	.0600-.0703	.0545	355616D	\$526.45	\$492.30	\$485.95	\$482.60	\$480.60	\$434.05
4	.0704-.0859	.0701	355618D	567.25	533.20	526.75	523.50	521.50	474.95
4	.0860-.1015	.0858	355620D	526.45	492.30	485.95	482.60	480.60	434.05
4	.1016-.1171	.1014	355622D	502.95	468.80	462.40	459.10	457.00	410.45
4	.1172-.1406	.1170	355624D	475.75	441.65	435.25	431.90	430.00	383.40
4	.1407-.1718	.1562	355626D	504.40	470.30	463.90	460.55	458.55	412.05
4	.1719-.2031	.1875	355628D	506.05	471.90	465.55	462.20	460.10	413.60
4	.2032-.2343	.2188	355630D	530.45	496.40	489.95	486.60	484.65	438.15
4	.2344-.2812	.2500	355632D	536.15	502.05	495.65	492.30	490.40	443.80
4	.2813-.3437	.3125	355634D	573.85	539.80	533.35	530.10	528.10	481.55
4	.3438-.4062	.3750	355636D	608.80	574.70	568.30	564.95	562.90	516.35
4	.4063-.4687	.4375	355638D	666.15	632.05	625.65	622.25	620.25	573.70
4	.4688-.5312	.5000	355640D	729.90	695.85	689.40	686.05	684.05	637.55

Corner Radius or Chamfer on ONE Side

TOOL DIAM.	DECIMAL SIZE WIDTH RANGE	HUB WIDTH	1"ARBOR EDP NO.	PRICE EACH FINISHED TO DECIMAL WIDTH					
				1 PC	2 PC	3 PC	4 PC	5PC	6PC
4	.0600-.0703	.0545	355616R1	\$547.80	\$498.90	\$491.85	\$488.10	\$485.85	\$484.65
4	.0704-.0859	.0701	355618R1	588.70	539.80	532.70	528.90	526.75	525.50
4	.0860-.1015	.0858	355620R1	547.80	498.90	491.85	488.10	485.85	484.65
4	.1016-.1171	.1014	355622R1	524.20	475.40	468.35	464.55	462.35	461.15
4	.1172-.1406	.1170	355624R1	497.15	448.30	441.20	437.50	435.20	434.05
4	.1407-.1718	.1562	355626R1	525.80	476.90	469.85	466.05	463.90	462.65
4	.1719-.2031	.1875	355628R1	527.35	478.50	471.45	467.70	465.45	464.25
4	.2032-.2343	.2188	355630R1	551.90	503.00	495.90	492.15	489.95	488.75
4	.2344-.2812	.2500	355632R1	557.55	508.65	501.60	497.90	495.60	494.40
4	.2813-.3437	.3125	355634R1	595.30	546.50	539.30	535.60	533.35	532.15
4	.3438-.4062	.3750	355636R1	630.10	581.30	574.10	570.40	568.20	566.95
4	.4063-.4687	.4375	355638R1	687.45	638.65	631.50	627.80	625.50	624.40
4	.4688-.5312	.5000	355640R1	751.30	702.45	695.25	691.55	689.30	688.15

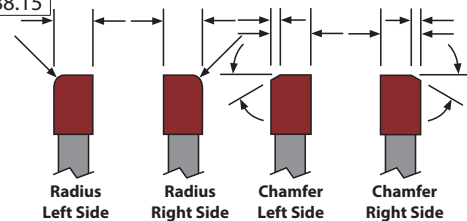
Radius Notes

- Maximum radius on one side is .2656"
- Full radius and maximum radius on both sides is 1/2 the width of the cutter
- A non-tangent radii must be quoted

Chamfer Notes

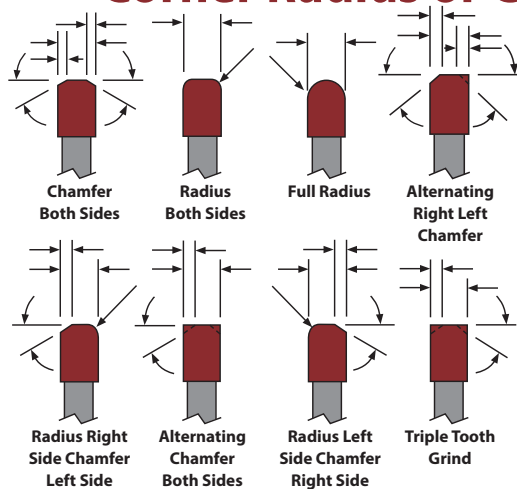
- Chamfer Angles can range from 0° to 45°
- Chamfer is measured off of the OD
- Maximum chamfer is the LESSER of 1/2 the width of the cutter OR .2656" length of angle when measured across the OD
- Chamfer Angle Tolerance: +/- 1/2°
- Chamfers greater than 45° must be quoted

Specify side for radius or chamfer



Corner Radius or Chamfer on BOTH Sides OR a Full Radius

- Alternating Chamfers add 5%



TOOL DIAM.	DECIMAL SIZE WIDTH RANGE	HUB WIDTH	1"ARBOR EDP NO.	PRICE EACH FINISHED TO DECIMAL WIDTH					
				1 PC	2 PC	3 PC	4 PC	5PC	6PC
4	.0600-.0703	.0545	355616R2	\$559.45	\$505.50	\$497.75	\$493.65	\$491.15	\$489.80
4	.0704-.0859	.0701	355618R2	600.30	546.50	538.60	534.45	532.00	530.70
4	.0860-.1015	.0858	355620R2	559.45	505.50	497.75	493.65	491.15	489.80
4	.1016-.1171	.1014	355622R2	535.95	482.00	474.15	470.15	467.60	466.25
4	.1172-.1406	.1170	355624R2	508.85	454.90	447.15	442.95	440.55	439.20
4	.1407-.1718	.1562	355626R2	537.45	483.50	475.70	471.60	469.10	467.75
4	.1719-.2031	.1875	355628R2	539.05	485.10	477.25	473.25	470.70	469.40
4	.2032-.2343	.2188	355630R2	563.55	509.60	501.80	497.65	495.20	493.90
4	.2344-.2812	.2500	355632R2	569.20	515.30	507.55	503.35	500.85	499.60
4	.2813-.3437	.3125	355634R2	606.95	553.10	545.20	541.05	538.70	537.30
4	.3438-.4062	.3750	355636R2	641.75	587.90	580.00	575.95	573.50	572.15
4	.4063-.4687	.4375	355638R2	699.20	645.25	637.40	633.30	630.85	629.50
4	.4688-.5312	.5000	355640R2	762.90	709.05	701.20	697.05	694.65	693.30

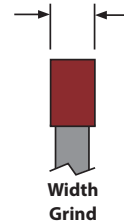
5" CARBIDE TIPPED MILLING CUTTERS FOR STEEL

TYPE 3556 - FOR STEEL



Width grinds between .0704" and .5312"

TOOL DIAM.	DECIMAL SIZE WIDTH RANGE	HUB WIDTH	1"ARBOR EDP NO.	PRICE EACH FINISHED TO DECIMAL WIDTH					
				1 PC	2 PC	3 PC	4 PC	5PC	6PC
5	.0704-.0859	.0691	355642D	\$682.55	\$647.75	\$641.25	\$637.75	\$635.75	\$588.10
5	.0860-.1015	.0848	355644D	686.70	651.85	645.30	641.90	639.90	592.25
5	.1016-.1171	.1004	355646D	646.95	612.15	605.60	602.15	600.15	552.55
5	.1172-.1406	.1160	355648D	573.55	538.75	532.25	528.75	526.75	479.20
5	.1407-.1718	.1562	355650D	584.60	549.80	543.30	539.80	537.80	490.25
5	.1719-.2031	.1875	355652D	619.05	584.25	577.70	574.30	572.25	524.65
5	.2032-.2343	.2188	355654D	634.05	599.25	592.55	589.20	587.15	539.60
5	.2344-.2812	.2500	355656D	657.25	622.40	615.80	612.45	610.35	562.80
5	.2813-.3437	.3125	355658D	706.45	671.65	665.05	661.70	659.55	612.10
5	.3438-.4062	.3750	355660D	755.80	721.00	714.30	711.00	708.90	661.35
5	.4063-.4687	.4375	355662D	829.25	794.45	787.95	784.45	782.45	734.90
5	.4688-.5312	.5000	355664D	910.95	876.10	869.55	866.15	864.15	816.50



Cutter Notes (All cutters on page)

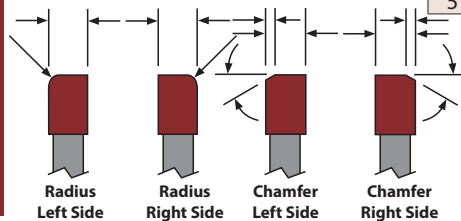
- 24 Teeth
- C-5 Carbide
- 1° - 3° Positive Radial Rake
- Width Tolerance: +.001"/-.000"
- OD tolerance: +.0313"/-.000"
- 1" Arbor hole +.001"/-.000"
- ANSI standard keyway dimensions
- Add 5% to grind the hub width thinner
- Add 5% to match OD's on cutter sets within .001"
- Not designed to be used on heat treated materials greater than 475 Brinell (50RC)

Radius Notes

- Maximum radius on one side is .2656"
- Full radius and maximum radius on both sides is 1/2 the width of the cutter
- A non-tangent radii must be quoted

Chamfer Notes

- Chamfer Angles can range from 0° to 45°
- Chamfer is measured off of the OD
- Maximum chamfer is the LESSER of 1/3 the width of the cutter OR .2656" length of angle when measured across the OD
- Chamfer Angle Tolerance: +/- 1/2°
- Chamfers greater than 45° must be quoted



Corner Radius or Chamfer on ONE Side

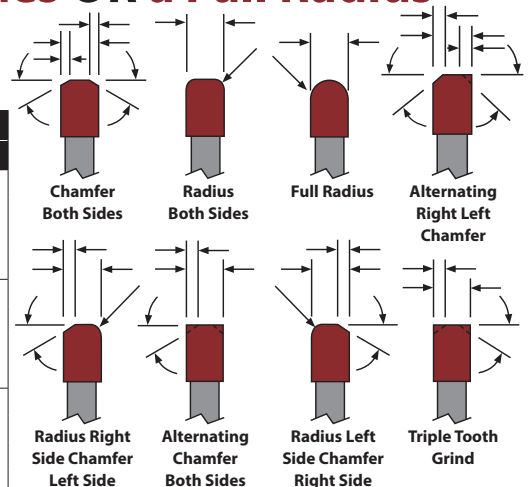
TOOL DIAM.	DECIMAL SIZE WIDTH RANGE	HUB WIDTH	1"ARBOR EDP NO.	PRICE EACH FINISHED TO DECIMAL WIDTH					
				1 PC	2 PC	3 PC	4 PC	5PC	6PC
5	.0704-.0859	.0691	355642R1	\$704.25	\$654.35	\$647.10	\$643.30	\$641.00	\$639.85
5	.0860-.1015	.0848	355644R1	708.40	658.50	651.25	647.45	645.15	643.90
5	.1016-.1171	.1004	355646R1	668.60	618.75	611.50	607.70	605.45	604.20
5	.1172-.1406	.1160	355648R1	595.25	545.35	538.00	534.30	532.00	530.85
5	.1407-.1718	.1562	355650R1	606.30	556.45	549.15	545.35	543.15	541.90
5	.1719-.2031	.1875	355652R1	640.70	590.85	583.65	579.80	577.55	576.30
5	.2032-.2343	.2188	355654R1	655.70	605.85	598.50	594.80	592.40	591.25
5	.2344-.2812	.2500	355656R1	678.95	629.05	621.70	617.95	615.65	614.40
5	.2813-.3437	.3125	355658R1	728.10	678.25	671.00	667.20	664.90	663.70
5	.3438-.4062	.3750	355660R1	777.45	727.60	720.25	716.50	714.20	713.00
5	.4063-.4687	.4375	355662R1	850.95	801.05	793.80	790.00	787.80	786.50
5	.4688-.5312	.5000	355664R1	932.55	882.70	875.40	871.65	869.40	868.15

Specify side for radius or chamfer

Corner Radius or Chamfer on BOTH Sides OR a Full Radius

- Alternating Chamfers add 5%

TOOL DIAM.	DECIMAL SIZE WIDTH RANGE	HUB WIDTH	1"ARBOR EDP NO.	PRICE EACH FINISHED TO DECIMAL WIDTH					
				1 PC	2 PC	3 PC	4 PC	5PC	6PC
5	.0704-.0859	.0691	355642R2	\$727.45	\$667.60	\$658.90	\$654.35	\$651.60	\$650.15
5	.0860-.1015	.0848	355644R2	731.60	671.75	663.05	658.45	655.70	654.30
5	.1016-.1171	.1004	355646R2	691.85	632.05	623.30	618.70	615.95	614.50
5	.1172-.1406	.1160	355648R2	618.45	558.60	549.90	545.30	542.55	541.15
5	.1407-.1718	.1562	355650R2	629.50	569.70	560.95	556.35	553.60	552.20
5	.1719-.2031	.1875	355652R2	663.95	604.15	595.40	590.85	588.10	586.65
5	.2032-.2343	.2188	355654R2	678.95	619.05	610.35	605.75	603.00	601.55
5	.2344-.2812	.2500	355656R2	702.10	642.30	633.50	629.00	626.25	624.75
5	.2813-.3437	.3125	355658R2	751.35	691.55	682.80	678.20	675.50	674.05
5	.3438-.4062	.3750	355660R2	800.60	740.80	732.05	727.55	724.80	723.30
5	.4063-.4687	.4375	355662R2	874.15	814.35	805.60	801.00	798.25	796.85
5	.4688-.5312	.5000	355664R2	955.75	895.95	887.20	882.60	879.95	878.55



6" CARBIDE TIPPED MILLING CUTTERS FOR STEEL

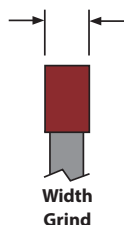
TYPE 3556 - FOR STEEL



Width grinds between .0704" and .5312"

Cutter Notes (All cutters on page)

- 28 Teeth
- C-5 Carbide
- 1° - 3° Positive Radial Rake
- Width Tolerance: +.001"/-.000"
- OD tolerance: +.0313"/-.000"
- 1" Arbor hole +.001"/-.000"
- ANSI standard keyway dimensions
- Add 5% to grind the hub width thinner
- Add 5% to match OD's on cutter sets within .001"
- Not designed to be used on heat treated materials greater than 475 Brinell (50Rc)



TOOL DIAM.	DECIMAL SIZE WIDTH RANGE	HUB WIDTH	1"ARBOR EDP NO.	PRICE EACH FINISHED TO DECIMAL WIDTH					
				1 PC	2 PC	3 PC	4 PC	5PC	6PC
6	.0704 - .0859	.0681	355666D	\$767.10	\$728.85	\$721.45	\$717.50	\$715.30	\$661.20
6	.0860 - .1015	.0838	355668D	711.65	673.35	665.95	662.10	659.80	605.75
6	.1016 - .1171	.0994	355670D	769.40	731.10	723.65	719.80	717.45	663.50
6	.1172 - .1406	.1150	355672D	741.50	703.20	695.85	691.90	689.60	635.60
6	.1407 - .1718	.1562	355674D	741.20	702.80	695.40	691.55	689.25	635.30
6	.1719 - .2031	.1875	355676D	787.40	749.20	741.80	737.90	735.55	681.55
6	.2032 - .2343	.2188	355678D	799.15	760.85	753.50	749.55	747.25	693.25
6	.2344 - .2812	.2500	355680D	847.00	808.65	801.20	797.35	795.05	741.05
6	.2813 - .3437	.3125	355682D	857.25	818.95	811.55	807.60	805.35	751.35
6	.3438 - .4062	.3750	355684D	886.10	847.75	840.30	836.45	834.15	780.20
6	.4063 - .4687	.4375	355690D	972.75	934.45	927.05	923.10	920.90	866.80
6	.4688 - .5312	.5000	355692D	1069.05	1030.85	1023.45	1019.50	1017.20	963.20

Corner Radius or Chamfer on ONE Side

TOOL DIAM.	DECIMAL SIZE WIDTH RANGE	HUB WIDTH	1"ARBOR EDP NO.	PRICE EACH FINISHED TO DECIMAL WIDTH					
				1 PC	2 PC	3 PC	4 PC	5PC	6PC
6	.0704 - .0859	.0681	355666R1	\$789.95	\$736.05	\$727.85	\$723.50	\$721.00	\$719.60
6	.0860 - .1015	.0838	355668R1	734.45	680.65	672.40	668.10	665.50	664.10
6	.1016 - .1171	.0994	355670R1	792.15	738.30	730.15	725.80	723.25	721.80
6	.1172 - .1406	.1150	355672R1	764.25	710.45	702.25	697.95	695.35	693.90
6	.1407 - .1718	.1562	355674R1	763.95	710.10	701.85	697.65	695.05	693.60
6	.1719 - .2031	.1875	355676R1	810.25	756.40	748.15	743.85	741.35	739.90
6	.2032 - .2343	.2188	355678R1	822.00	768.10	759.90	755.60	753.00	751.55
6	.2344 - .2812	.2500	355680R1	869.75	815.90	807.60	803.35	800.85	799.45
6	.2813 - .3437	.3125	355682R1	880.10	826.15	818.00	813.70	811.15	809.75
6	.3438 - .4062	.3750	355684R1	908.90	855.00	846.75	842.55	839.95	838.55
6	.4063 - .4687	.4375	355690R1	995.60	941.65	933.45	929.15	926.70	925.25
6	.4688 - .5312	.5000	355692R1	1091.95	1038.05	1029.80	1025.50	1022.90	1021.60

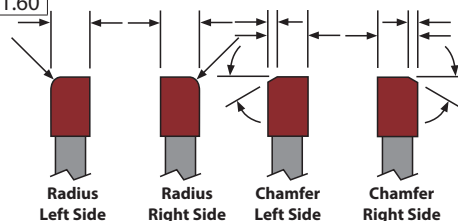
Radius Notes

- Maximum radius on one side is .2656"
- Full radius and maximum radius on both sides is 1/2 the width of the cutter
- A non-tangent radii must be quoted

Chamfer Notes

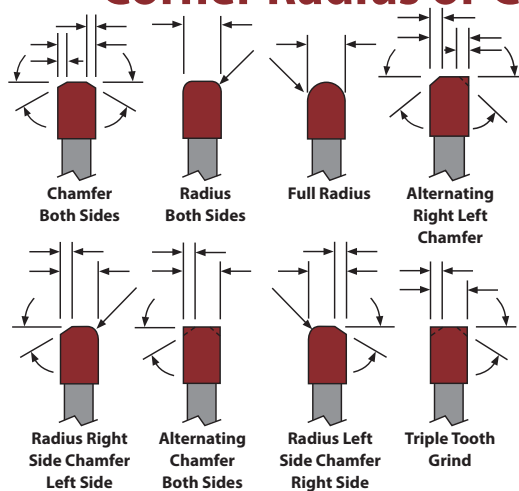
- Chamfer Angles can range from 0° to 45°
- Chamfer is measured off of the OD
- Maximum chamfer is the LESSER of 1/2 the width of the cutter OR .2656" length of angle when measured across the OD
- Chamfer Angle Tolerance: +/- 1/2°
- Chamfers greater than 45° must be quoted

Specify side for radius or chamfer



Corner Radius or Chamfer on BOTH Sides OR a Full Radius

- Alternating Chamfers add 5%



TOOL DIAM.	DECIMAL SIZE WIDTH RANGE	HUB WIDTH	1"ARBOR EDP NO.	PRICE EACH FINISHED TO DECIMAL WIDTH					
				1 PC	2 PC	3 PC	4 PC	5PC	6PC
6	.0704-.0859	.0681	355666R2	\$814.70	\$750.45	\$740.60	\$735.55	\$732.50	\$730.85
6	.0860-.1015	.0838	355668R2	759.20	694.95	685.15	680.05	677.00	675.35
6	.1016-.1171	.0994	355670R2	816.95	752.70	742.90	737.70	734.80	733.00
6	.1172-.1406	.1150	355672R2	789.05	724.80	715.00	709.85	706.90	705.20
6	.1407-.1718	.1562	355674R2	788.75	724.50	714.70	709.50	706.55	704.85
6	.1719-.2031	.1875	355676R2	835.05	770.80	760.90	755.80	752.85	751.15
6	.2032-.2343	.2188	355678R2	846.70	782.45	772.65	767.50	764.55	762.85
6	.2344-.2812	.2500	355680R2	894.50	830.20	820.50	815.30	812.25	810.65
6	.2813-.3437	.3125	355682R2	904.85	840.55	830.75	825.60	822.65	820.95
6	.3438-.4062	.3750	355684R2	933.65	869.40	859.60	854.40	851.45	849.75
6	.4063-.4687	.4375	355690R2	1020.30	956.05	946.25	941.15	938.10	936.50
6	.4688-.5312	.5000	355692R2	1116.70	1052.40	1042.60	1037.45	1034.50	1032.80

CARBIDE TIPPED SIDE MILLING CUTTERS

TYPE 3540 - FOR NON-FERROUS

Carbide tips brazed to alloy steel bodies.

High feed rates can be achieved due to the large flute capacity. For milling aluminum, magnesium, zinc, brass, bronze, plastics and non-metals.

TYPE 3541 - FOR CAST IRON

Carbide tips brazed to alloy steel bodies.

Increased number of teeth with large flute capacity permit higher metal removal at moderate speeds and feeds.

TYPE 3542 - FOR STEEL

Carbide tips brazed to alloy steel bodies.

Steel cutting grade of carbide permits the heavy chip loads for milling steel.

TYPE 3543 - FOR STAINLESS STEEL

Carbide tips brazed to alloy steel bodies.

High number of teeth for milling of stainless steel and related alloy steels. AISI type 200 thru 350 stainless steels.



ALL TYPES:
Tool diameter tolerance: $+\frac{1}{16}"/-.000"$.
Face width tolerance: $+.001"/-.000"$.
Arbor hole tolerance: $+.001"/-.000"$.
Sharpened on all 3 cutting edges.

TOOL DIAM.	WIDTH		TYPE 3540 FOR NON-FERROUS				TYPE 3541 FOR CAST IRON				TYPE 3542 FOR STEEL				TYPE 3543 FOR STAINLESS STEEL			
	FRACTIONAL	DECIMAL	NO. OF TEETH	1" ARBOR EDP NO.	1 1/4" ARBOR EDP NO.	PRICE EACH	NO. OF TEETH	1" ARBOR EDP NO.	1 1/4" ARBOR EDP NO.	PRICE EACH	NO. OF TEETH	1" ARBOR EDP NO.	1 1/4" ARBOR EDP NO.	PRICE EACH	NO. OF TEETH	1" ARBOR EDP NO.	1 1/4" ARBOR EDP NO.	PRICE EACH
3	1/4	.2500	4	354030	-	\$160.60	6	354130	-	\$200.95	6	354230	-	\$198.45	8	354330	-	\$247.55
3	5/16	.3125	4	354031	-	168.70	6	354131	-	201.90	6	354231	-	201.10	8	354331	-	259.40
3	3/8	.3750	4	354032	-	174.85	6	354132	-	205.90	6	354232	-	203.65	8	354332	-	262.95
3	7/16	.4375	4	354033	-	182.05	6	354133	-	222.70	6	354233	-	227.15	-	-	-	-
3	1/2	.5000	4	354034	-	190.80	6	354134	-	231.85	6	354234	-	230.25	8	354334	-	293.90
4	1/4	.2500	4	354040	-	209.45	8	354140	-	259.65	8	354240	-	261.35	10	354340	-	309.55
4	5/16	.3125	4	354041	-	215.35	8	354141	-	268.35	8	354241	-	277.50	10	354341	-	325.15
4	3/8	.3750	4	354042	354043	221.00	8	354142	354143	282.05	8	354242	354243	277.50	10	354342	354343	332.50
4	7/16	.4375	4	354074	-	222.05	8	354174	-	287.65	8	354274	-	285.75	10	354374	-	361.00
4	1/2	.5000	4	354044	354045	222.05	8	354144	354145	297.15	8	354244	354245	295.70	10	354344	354345	363.75
4	9/16	.5625	4	354094	-	241.40	8	354194	-	305.40	8	354294	-	310.30	-	-	-	-
4	5/8	.6250	4	354046	354047	259.05	8	354146	354147	331.00	8	354246	354247	362.75	10	354346	354347	383.10
4	3/4	.7500	4	354048	354049	290.20	8	354148	354149	331.00	8	354248	354249	367.35	10	354348	354349	394.55
5	1/4	.2500	6	354050	-	292.60	10	354150	-	343.80	10	354250	-	344.05	-	-	-	-
5	5/16	.3125	-	-	-	-	10	354151	-	343.80	10	354251	-	344.05	-	-	-	-
5	3/8	.3750	-	-	-	-	10	-	354153	352.20	10	-	354253	361.20	-	-	-	-
5	7/16	.4375	6	-	354075	304.40	10	-	354175	353.90	10	-	354275	372.85	-	-	-	-
5	1/2	.5000	6	354054	354055	308.00	10	354154	354155	375.70	10	354254	354255	372.90	12	354354	354355	417.80
5	9/16	.5625	6	-	354095	317.85	10	-	354195	382.15	10	-	354295	389.30	-	-	-	-
5	5/8	.6250	6	-	354057	334.40	10	-	354157	406.70	10	-	354257	457.00	12	-	354357	456.30
5	3/4	.7500	6	354058	354059	356.50	10	354158	354159	460.55	10	354258	354259	505.75	12	354358	354359	511.75
5	1	1.0000	6	-	354015	357.05	10	-	354115	501.10	10	-	354215	533.40	-	-	-	-
6	3/8	.3750	6	354062	-	313.95	12	-	354163	432.65	12	-	354263	457.05	-	-	-	-
6	1/2	.5000	6	354064	354065	343.80	12	354164	354165	459.45	12	354264	354265	470.80	14	354364	354365	537.55
6	5/8	.6250	6	-	354067	376.85	12	-	354167	502.10	12	-	354267	512.15	14	-	354367	541.85
6	3/4	.7500	6	354068	354069	433.35	12	354168	354169	563.35	12	354268	354269	583.35	14	354368	354369	584.75
6	1	1.0000	6	-	354016	496.75	12	-	354116	569.35	12	-	354216	595.20	-	-	-	-
				1 1/4" ARBOR	1 1/2" ARBOR			1 1/4" ARBOR	1 1/2" ARBOR			1 1/4" ARBOR	1 1/2" ARBOR			1 1/4" ARBOR	1 1/2" ARBOR	
8	3/4	.7500	8	354088	354089	563.80	12	354188	354189	591.20	12	354288	354289	613.30	14	354388	-	626.95
8	1	1.0000	8	354080	354081	611.75	12	354180	354181	616.25	12	354280	354281	638.35	-	-	-	-

CARBIDE TIPPED ANGLE CUTTERS

SINGLE ANGLE CUTTERS

TYPE 3714 - 45° RIGHT
TYPE 3716 - 45° LEFT

TYPE 3724 - 60° RIGHT
TYPE 3726 - 60° LEFT

(Left hand shown)

Carbide tips brazed to hardened alloy steel bodies. General purpose cutters for cutting non-ferrous materials and cast iron.

TOOL DIAMETER	WIDTH	ARBOR HOLE	NO. OF TEETH	RIGHT 45° TYPE 3714 EDP NO.	LEFT 45° TYPE 3716 EDP NO.	RIGHT 60° TYPE 3724 EDP NO.	LEFT 60° TYPE 3726 EDP NO.	ALL TYPES PRICE
3	1/2	1	8	371408	371608	372408	372608	\$471.10
4	1/2	1 1/4	10	371416	371616	372416	372616	583.05
4	3/4	1 1/4	10	371424	371624	372424	372624	632.55

DOUBLE ANGLE CUTTERS

TYPE 3750 - 45° DOUBLE
TYPE 3752 - 60° DOUBLE
TYPE 3754 - 90° DOUBLE

Carbide tips brazed to hardened alloy steel bodies. General purpose cutters for cutting non-ferrous materials and cast iron.

TOOL DIAMETER	WIDTH	ARBOR HOLE	NO. OF TEETH	45° TYPE 3750 EDP NO.	60° TYPE 3752 EDP NO.	90° TYPE 3754 EDP NO.	ALL TYPES PRICE
2 3/4	1/2	1	8	-	375207	375407	\$396.60
3	1/2	1	8	375008	375208	375408	494.60
4	1/2	1 1/4	10	375016	375216	375416	612.15
4	3/4	1 1/4	10	375024	375224	375424	664.00
4	1	1 1/4	10	-	375232	375432	777.15

CARBIDE TIPPED SHELL MILL CUTTERS

Carbide tips brazed to alloy steel bodies.

TYPE 3530 - FOR NON-FERROUS

Large, open right hand spiral flutes aid in chip removal.

TYPE 3531 - FOR CAST IRON

Open flutes for machining cast iron, soft cast iron and malleable iron.

TYPE 3532 - FOR STEEL

Large, open left hand spiral flutes absorb impact shock.

ALL TYPES ON THIS PAGE:

Tool diameter tolerance: +1/16"/-.000".

Arbor hole tolerance: +.001"/-.000".

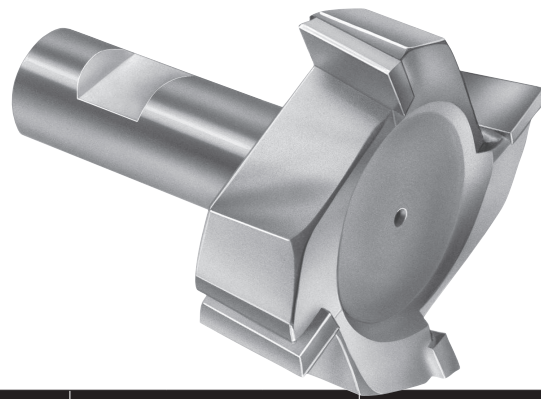
TOOL DIAMETER	ARBOR HOLE	CARBIDE LENGTH	OVERALL LENGTH	DRIVE SLOTS		TYPE 3530 FOR NON-FERROUS			TYPE 3531 FOR CAST IRON			TYPE 3532 FOR STEEL		
				WIDTH	DEPTH	NO. OF TEETH	EDP NO.	PRICE EACH	NO. OF TEETH	EDP NO.	PRICE EACH	NO. OF TEETH	EDP NO.	PRICE EACH
1 1/4	1/2	1/2	1	1/4	5/32	4	353024	\$240.25	4	353124	\$240.25	4	353224	\$249.90
1 1/2	1/2	1/2	1 1/8	1/4	5/32	4	353026	250.20	4	353126	250.20	4	353226	260.20
1 3/4	3/4	1/2	1 1/4	5/16	3/16	4	353028	311.80	4	353128	311.80	4	353228	324.20
2	3/4	5/8	1 3/8	5/16	3/16	4	353032	327.35	4	353132	348.30	4	353232	362.15
2 1/4	1	5/8	1 1/2	3/8	7/32	6	353036	345.85	6	353136	377.10	6	353236	392.20
2 1/2	1	5/8	1 5/8	3/8	7/32	6	353040	364.15	6	353140	411.05	6	353240	411.05
2 3/4	1	5/8	1 5/8	3/8	7/32	6	353044	384.30	6	353144	431.20	6	353244	431.20
3	1 1/4	3/4	1 3/4	1/2	9/32	6	353048	421.25	6	353148	469.00	6	353248	469.00
3 1/2	1 1/4	3/4	1 7/8	1/2	9/32	6	353056	515.60	8	353156	551.60	6	353256	583.05
4	1 1/2	3/4	2 1/4	5/8	3/8	6	353064	647.90	8	353164	682.35	6	353264	724.20

CARBIDE TIPPED FACE MILLS

TYPE 3536 - FOR NON-FERROUS
TYPE 3537 - FOR CAST IRON
TYPE 3538 - FOR STEEL

Carbide tips brazed to hardened alloy steel bodies.

Straight shank with Weldon flats. Tools are designed with appropriate carbide grade and geometry for material being machined.



TOOL DIAMETER	SHANK DIAMETER	TOOL WIDTH	CARBIDE LENGTH	DEPTH OF CARBIDE	OVERALL LENGTH	TYPE 3536 - NON-FERROUS			TYPE 3537 - CAST IRON			TYPE 3538 - STEEL		
						NO. OF TEETH	EDP NO.	PRICE EACH	NO. OF TEETH	EDP NO.	PRICE EACH	NO. OF TEETH	EDP NO.	PRICE EACH
1 1/2	3/4	3/4	1/2	1/4	2 7/8	4	353624	\$223.95	4	353724	\$223.95	4	353824	\$230.45
2	3/4	3/4	1/2	1/4	2 7/8	4	353632	273.80	4	353732	273.80	4	353832	280.20
2 1/2	3/4	3/4	1/2	1/4	2 7/8	6	353640	308.30	6	353740	308.30	6	353840	316.55
3 1/2	1 1/4	1 1/8	5/8	5/16	4	6	353656	532.00	6	353756	532.00	8	353856	550.25
3 1/2	1 1/2	1 1/8	5/8	5/16	4	6	353657	558.65	6	353757	558.65	8	353857	577.70
4	1 1/2	1 1/2	3/4	3/8	5	8	353664	597.85	8	353764	597.85	8	353864	598.50

CARBIDE TIPPED COUNTERSINKS

SINGLE FLUTE COUNTERSINKS

TYPE 3561 - 60°
TYPE 3581 - 82°
TYPE 3591 - 90°
TYPE 3584 - 100°

Carbide tips brazed to hardened alloy steel bodies.

The single flute design with a positive rake assures burr-free holes and chatterless operation. Not recommended for portable hand tool use — see three flute types.



THREE FLUTE COUNTERSINKS

TYPE 3563 - 60°
TYPE 3583 - 82°
TYPE 3590 - 90°
TYPE 3585 - 100°

Carbide tips brazed to hardened alloy steel bodies.

The three flute design tends to center the tool in portable tool use and results in longer tool life.



TOOL DIAM.	SHANK DIAM.	MINIMUM CUTTING DIAM.	60° ANGLE TYPE 3561 EDP NO.	82° ANGLE TYPE 3581 EDP NO.	90° ANGLE TYPE 3591 EDP NO.	100° ANGLE TYPE 3584 EDP NO.	ALL TYPES PRICE
1/4	3/16	1/16	356108	358108	359108	358408	\$68.50
3/8	1/4	5/64	356112	358112	359112	358412	68.50
1/2	3/8	3/32	356116	358116	359116	358416	81.25
3/4	1/2	1/8	356124	358124	359124	358424	101.65
1	1/2	1/8	356132	358132	359132	358432	132.75
1 1/4	1/2	5/32	356140	358140	359140	358440	168.90
1 1/2	1/2	3/16	356148	358148	359148	358448	189.45

TOOL DIAM.	SHANK DIAM.	MINIMUM CUTTING DIAM.	60° ANGLE TYPE 3563 EDP NO.	82° ANGLE TYPE 3583 EDP NO.	90° ANGLE TYPE 3590 EDP NO.	100° ANGLE TYPE 3585 EDP NO.	ALL TYPES PRICE
1/4	3/16	5/64	356308	358308	359008	358508	\$75.25
3/8	1/4	7/64	356312	358312	359012	358512	75.25
1/2	3/8	9/64	356316	358316	359016	358516	89.40
3/4	1/2	1/8	356320	358320	359020	358520	94.00
1	1/2	1/8	356324	358324	359024	358524	113.10
1 1/4	1/2	5/32	356328	358328	359028	358528	129.55
1 1/2	1/2	3/16	356332	358332	359032	358532	141.35
1 1/4	1/2	5/32	356340	358340	359040	358540	175.85
1 1/2	1/2	3/8	356348	358348	359048	358548	205.10

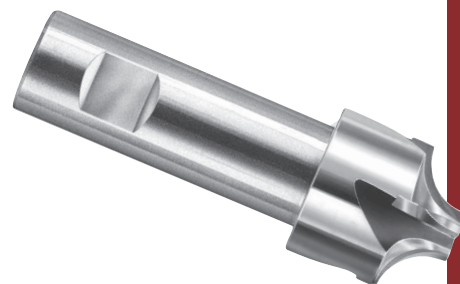
CARBIDE TIPPED CORNER ROUNDING END MILLS

TYPE 3740 - FOR NON-FERROUS & CAST IRON

TYPE 3741 - FOR STEEL

CIRCLE RADIUS	TOOL DIAM.	SHANK DIAM.	END DIAM.	CARBIDE LENGTH	OVERALL LENGTH	TYPE 3740		TYPE 3741	
						EDP NO.	PRICE EACH	EDP NO.	PRICE EACH
1/16	7/16	3/8	17/64	13/32	2 3/4	374002	\$156.10	374102	\$168.75
3/32	1/2	3/8	17/64	13/32	2 3/4	374003	156.10	374103	168.75
1/8	5/8	1/2	19/64	13/32	3	374004	161.60	374104	174.45
5/32	3/4	1/2	23/64	13/32	3	374005	171.40	374105	185.05
3/16	7/8	3/4	13/32	13/32	3 1/4	374006	181.35	374106	195.80
1/4	1	3/4	13/32	15/32	3 1/4	374008	206.70	374108	223.20
5/16	1 1/8	7/8	13/32	19/32	3 1/2	374010	212.30	374110	229.35
3/8	1 1/4	7/8	13/32	25/32	3 3/4	374012	220.60	374112	238.25
7/16	1 3/8	1	13/32	7/8	4	374014	245.60	374114	265.25
1/2	1 1/2	1	13/32	1	4	374016	273.35	374116	295.30
5/8	2	1 1/4	21/32	1 7/32	4 1/4	374020	336.40	374120	363.35

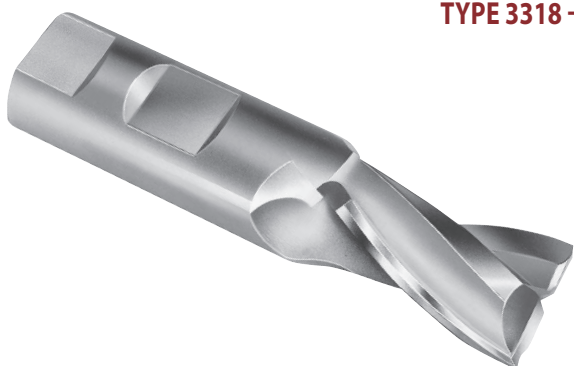
Carbide tips brazed to hardened alloy steel bodies. All sizes have three flutes and are used to mill round corners on square edges.



CARBIDE TIPPED CENTER CUTTING END MILLS

TYPE 3318 - 25° RIGHT SPIRAL FLUTES - FOR NON-FERROUS & CAST IRON

Flute long carbide tips brazed to hardened alloy steel bodies.



TOOL DIAMETER		SHANK DIAM.	NO. OF FLUTES	CARBIDE TIP LENGTH	OVER ALL LEN.	TYPE 3318 - 25° RIGHT SPIRAL	
DECIMAL	FRAC.					EDP NO.	PRICE EACH
.5000	1/2	1/2	2	1	3	331816	\$195.00
.6250	5/8	5/8	2	1 1/4	3 3/8	331820	218.00
.7500	3/4	3/4	2	1 1/4	3 3/8	331824	231.00
.8750	7/8	7/8	2	1 1/2	3 3/4	331828	254.05
1.0000	1	1	2	1 1/2	4	331832	292.00
1.2500	1 1/4	1 1/4	2	1 3/4	4 1/4	331840	396.80
1.5000	1 1/2	1 1/2	2	2	4 3/4	331848	463.10

TYPE 3314 - THREE STRAIGHT FLUTES - FOR NON-FERROUS & CAST IRON

TYPE 3312 - THREE STRAIGHT FLUTES - FOR STEEL

Flute long carbide tips brazed to hardened alloy steel bodies.



ALL TYPES:

One flute is center cutting.

Straight shanks with drive flats.

Tool diameter tolerance: +.002"/-.000".

For plunge and side cut milling at moderate feeds and speeds.

TOOL DIAMETER		SHANK DIAM.	NO. OF FLUTES	CARBIDE TIP LENGTH	OVERALL LENGTH	TYPE 3314 - FOR NON-FERR. & C.I.		TYPE 3312 - FOR STEEL	
DECIMAL	FRAC.					EDP NO.	PRICE EACH	EDP NO.	PRICE EACH
.3750	3/8	3/8	3	1/2	2 1/2	331412	\$116.65	331212	\$121.25
.4375	7/16	3/8	3	3/4	2 1/2	331414	119.25	331214	123.90
.5000	1/2	1/2	3	3/4	3	331416	122.35	331216	126.90
.5625	9/16	1/2	3	3/4	3	331418	127.05	331218	132.00
.6250	5/8	5/8	3	3/4	3 1/4	331420	148.75	331220	154.35
.7500	3/4	5/8	3	3/4	3 3/8	331424	155.60	331224	161.60
.8750	7/8	7/8	3	3/4	3 3/4	331428	181.65	331228	188.70
1.0000	1	7/8	3	3/4	3 3/4	331432	199.60	331232	207.25
1.1250	1 1/8	1	3	3/4	4	331436	213.75	331236	221.95
1.2500	1 1/4	1	3	3/4	4	331440	247.70	331240	257.35
1.5000	1 1/2	1 1/4	3	3/4	4	331448	294.50	331248	305.85

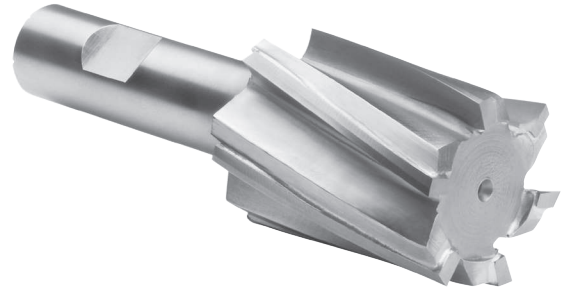
CARBIDE TIPPED BRIDGEPORT/REDUCED SHANK END MILLS

TYPE 3323 - 15° RIGHT SPIRAL FLUTES - FOR NON-FERROUS & CAST IRON

TYPE 3353 - 15° RIGHT SPIRAL FLUTES - FOR STEEL

Flute long carbide tips brazed to hardened alloy steel bodies.

The large capacity 15° spiral flutes permit easy chip flow.
 $\frac{3}{4}$ " shank designed for use on Bridgeport style machines.



TOOL DIAMETER		SHANK DIAM.	CARBIDE TIP LENGTH	OVER ALL LENGTH	NO. OF FLUTES	N-F/C.I. TYPE 3323 EDP NO.	STEEL TYPE 3353 EDP NO.	BOTH TYPES PRICE
DECIMAL	FRACTION							
.7500	$\frac{3}{4}$	$\frac{3}{4}$	1 $\frac{1}{4}$	3 $\frac{3}{8}$	4	332324	335324	\$155.60
.8750	$\frac{7}{8}$	$\frac{3}{4}$	1 $\frac{1}{2}$	3 $\frac{3}{4}$	4	332328	335328	178.20
1.0000	1	$\frac{3}{4}$	1 $\frac{1}{2}$	4	6	332332	335332	249.85
1.1250	1 $\frac{1}{8}$	$\frac{3}{4}$	1 $\frac{3}{4}$	4 $\frac{1}{4}$	6	332336	335336	294.00
1.2500	1 $\frac{1}{4}$	$\frac{3}{4}$	1 $\frac{3}{4}$	4 $\frac{1}{4}$	6	332340	335340	337.05
1.5000	1 $\frac{1}{2}$	$\frac{3}{4}$	2	4 $\frac{1}{2}$	6	332348	335348	387.75

CARBIDE TIPPED CNC FINISHING END MILLS

TYPE 3322 - 15° RIGHT SPIRAL FLUTES - FOR NON-FERROUS & CAST IRON

TYPE 3355 - 15° RIGHT SPIRAL FLUTES - FOR STEEL

Flute long carbide tips brazed to hardened alloy steel bodies.

CNC qualified edge provides for accurate and consistent resharping. Carbide grade and tool geometry appropriate for material being machined.



TOOL DIAMETER		SHANK DIAM.	CARBIDE TIP LENGTH	OVER ALL LENGTH	NO. OF FLUTES	N-F/C.I. TYPE 3322 EDP NO.	STEEL TYPE 3355 EDP NO.	BOTH TYPES PRICE
DECIMAL	FRACTION							
.5000	$\frac{1}{2}$	$\frac{1}{2}$	1	3	4	332216	335516	\$137.90
.6250	$\frac{5}{8}$	$\frac{5}{8}$	1 $\frac{1}{4}$	3 $\frac{3}{8}$	4	332220	335520	159.25
.7500	$\frac{3}{4}$	$\frac{5}{8}$	1 $\frac{1}{4}$	3 $\frac{3}{8}$	4	332224	335524	177.40
1.0000	1	1	1 $\frac{1}{2}$	4	6	332232	335532	284.80
1.1250	1 $\frac{1}{8}$	1	1 $\frac{3}{4}$	4 $\frac{1}{4}$	6	332236	335536	335.20
1.2500	1 $\frac{1}{4}$	1	1 $\frac{3}{4}$	4 $\frac{1}{4}$	6	332240	335540	384.25
1.5000	1 $\frac{1}{2}$	1 $\frac{1}{4}$	2	4 $\frac{1}{2}$	6	332248	335548	442.15
1.7500	1 $\frac{3}{4}$	1 $\frac{1}{4}$	2	4 $\frac{1}{2}$	8	332256	335556	556.10
2.0000	2	1 $\frac{1}{4}$	2	4 $\frac{1}{2}$	8	332264	335564	628.25

CARBIDE TIPPED CNC HIGH PERFORMANCE END MILLS

TYPE 3337 - 25° RIGHT SPIRAL FLUTES - FOR ALUMINUM & OTHER NON-FERROUS

Flute long carbide tips brazed to hardened alloy steel bodies.

High helix, high performance open flute design for high speed non-ferrous metal removal. CNC qualified edge provides for accurate and consistent resharping.

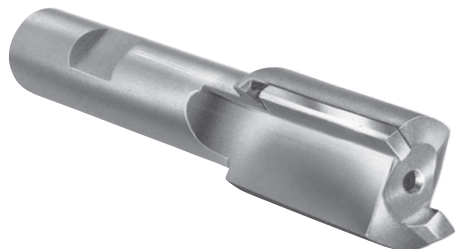


TOOL DIAMETER		SHANK DIAM.	CARBIDE TIP LENGTH	OVER ALL LENGTH	NO. OF FLUTES	NON-FERR. TYPE 3337 EDP NO.	PRICE EACH
DECIMAL	FRACTION						
.5000	$\frac{1}{2}$	$\frac{1}{2}$	1	3	2	333716	\$137.90
.6250	$\frac{5}{8}$	$\frac{5}{8}$	1 $\frac{1}{4}$	3 $\frac{3}{8}$	2	333720	159.25
.7500	$\frac{3}{4}$	$\frac{5}{8}$	1 $\frac{1}{4}$	3 $\frac{3}{8}$	2	333724	177.40
1.0000	1	1	1 $\frac{1}{2}$	4	2	333732	234.55
1.2500	1 $\frac{1}{4}$	1	1 $\frac{3}{4}$	4 $\frac{1}{4}$	3	333740	340.65
1.5000	1 $\frac{1}{2}$	1 $\frac{1}{4}$	2	4 $\frac{1}{2}$	3	333748	412.70
2.0000	2	1 $\frac{1}{4}$	2	4 $\frac{1}{2}$	3	333764	602.75

CARBIDE TIPPED END MILLS - FOR STEEL

TYPE 3300 - TWO STRAIGHT FLUTES

Flute long carbide tips brazed to hardened alloy steel bodies.
Large flute capacity for easier chip removal.



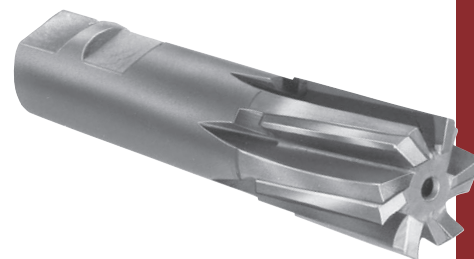
TYPE 3308 - 6° RIGHT SPIRAL FLUTES

Flute long carbide tips brazed to hardened alloy steel bodies.
Spiral flutes help remove chips, permitting faster speeds and higher feed rate. Produces better finish.



TYPE 3310 - 6° LEFT SPIRAL FLUTES

Flute long carbide tips brazed to hardened alloy steel bodies.
The left spiral flutes help absorb the impact shock on entering steel while maintaining constant pressure on the work piece. For milling all types of steel, including hardened steel and other tough steel alloys.



TOOL DIAMETER		SHANK DIAM.	CARB. TIP LEN.	OVER ALL LEN.	TYPE 3300 - STRAIGHT FLUTES			TYPE 3308 OR TYPE 3310 - 6° SPIRAL FLUTES			
DEC.	FRACTIONAL				NO. OF FLTS.	EDP NO.	PRICE EACH	NO. OF FLTS.	TYPE 3308 RIGHT EDP NO.	TYPE 3310 LEFT EDP NO.	BOTH TYPES PRICE
.2500	1/4	3/8	1/2	2 1/2	2	330008	\$76.00	2	330808	331008	\$78.25
.3125	5/16	3/8	5/8	2 1/2	2	330010	79.15	2	330810	331010	84.40
.3750	3/8	3/8	5/8	2 1/2	2	330012	84.55	2	330812	331012	89.45
.4375	7/16	3/8	1	2 1/16	2	330014	84.55	2	330814	331014	89.45
.5000	1/2	1/2	1	3 1/4	2	330016	86.55	4	330816	331016	96.40
.5625	9/16	1/2	1	3 3/8	2	330018	95.85	4	330818	331018	103.55
.6250	5/8	1/2	1	3 3/8	2	330020	95.85	4	330820	331020	127.80
.7500	3/4	5/8	1	3 3/8	2	330024	107.65	4	330824	331024	142.45
.8750	7/8	5/8	1 1/4	4	2	330028	127.20	4	330828	331028	171.55
1.0000	1	7/8	1 1/4	4	2	330032	140.60	6	330832	331032	197.25
1.1250	1 1/8	1	1 1/4	4 1/4	2	330036	144.00	6	330836	331036	209.20
1.2500	1 1/4	1	1 1/4	4 1/4	2	330040	160.55	6	330840	331040	252.85
1.5000	1 1/2	1 1/4	1 1/2	4 1/2	2	330048	206.80	6	330848	331048	307.55
1.7500	1 3/4	1 1/4	1 1/2	4 1/2	2	330056	232.00	8	330856	331056	370.30
2.0000	2	1 1/4	1 1/2	4 1/2	2	330064	276.95	8	330864	331064	413.40

TYPE 3350 - 15° RIGHT SPIRAL FLUTES

Flute long carbide tips brazed to hardened alloy steel bodies.
For milling all types of steel. The large capacity of the 15° spiral flutes permits faster chip removal while allowing smoother finishes. The high spiral provides longer tool life.



ALL TYPES:

Radial edged tool diameter tolerance: +.002"/-.000".

Shank diameter tolerance: -.0001"/-.0005".

Straight shanks with drive flats.

All End Mills are radial edged; see page 33 for descriptions.

Also available in 3/4" shank diameter, see pg. 30.

TOOL DIAMETER		SHANK DIAM.	CARB. TIP LEN.	OVER ALL LEN.	TYPE 3350 - 15° RIGHT SPIRAL		
DECIMAL	FRACTIONAL				NO. OF FLTS.	EDP NO.	PRICE EACH
.5000	1/2	3/8	1	3	4	335016	\$120.95
.5000	1/2	1/2	1	3	4	335017	120.95
.5625	9/16	1/2	1	3	4	335018	129.90
.6250	5/8	1/2	1 1/4	3 1/4	4	335020	139.85
.6250	5/8	5/8	1 1/4	3 3/8	4	335021	139.85
.6875	11/16	1/2	1 1/4	3 1/4	4	335022	145.75
.6875	11/16	5/8	1 1/4	3 3/8	4	335023	145.75
.7500	3/4	1/2	1 1/4	3 1/4	4	335024	155.60
.7500	3/4	5/8	1 1/4	3 3/8	4	335025	155.60
.8125	13/16	5/8	1 1/2	3 5/8	4	335026	167.85
.8750	7/8	5/8	1 1/2	3 5/8	4	335028	178.20
.8750	7/8	7/8	1 1/2	3 3/4	4	335029	178.20

TOOL DIAMETER		SHANK DIAM.	CARB. TIP LEN.	OVER ALL LEN.	TYPE 3350 - 15° RIGHT SPIRAL		
DECIMAL	FRACTIONAL				NO. OF FLTS.	EDP NO.	PRICE EACH
.9375	15/16	5/8	1 1/2	3 3/4	4	335030	\$263.90
.9375	15/16	7/8	1 1/2	3 3/4	4	335031	263.90
1.0000	1	7/8	1 1/2	3 3/4	6	335032	249.85
1.0000	1	1	1 1/2	4	6	335033	249.85
1.1250	1 1/8	1	1 3/4	4 1/4	6	335036	294.15
1.2500	1 1/4	1	1 3/4	4 1/4	6	335040	337.10
1.3750	1 3/8	1	1 3/4	4 1/4	6	335044	393.85
1.5000	1 1/2	1 1/4	2	4 1/2	6	335048	387.95
1.6250	1 5/8	1 1/4	2	4 1/2	8	335052	517.15
1.7500	1 3/4	1 1/4	2	4 1/2	8	335056	551.55
1.8750	1 7/8	1 1/4	2	4 1/2	8	335060	589.80
2.0000	2	1 1/4	2	4 1/2	8	335064	622.95

CARBIDE TIPPED END MILLS - FOR NON-FERROUS & CAST IRON

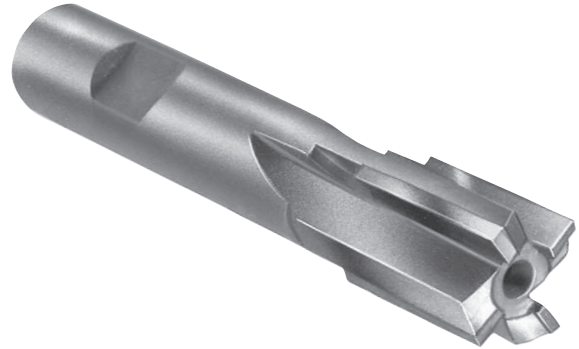
TYPE 3302 - TWO STRAIGHT FLUTES - RADIAL EDGED

Flute long carbide tips brazed to hardened alloy steel bodies.
Large flute capacity for easier chip removal.



TYPE 3304 - FOUR/SIX STRAIGHT FLUTES - RADIAL EDGED

Flute long carbide tips brazed to hardened alloy steel bodies.
Best when machine horsepower allows a higher capacity end mill.



TYPE 3305 - FOUR STRAIGHT FLUTES - UPSHARP

Flute long carbide tips brazed to hardened alloy steel bodies.
Reduced horsepower requirements in a high capacity end mill.



TYPE 3306 - 6° RIGHT SPIRAL FLUTES - RADIAL EDGED

Flute long carbide tips brazed to hardened alloy steel bodies.
Spiral flutes help remove chips, permitting faster speeds and heavier feeds. Produces better finish.

TYPE 3307 - 6° RIGHT SPIRAL FLUTES - UPSHARP

Flute long carbide tips brazed to hardened alloy steel bodies.
Spiral flutes help remove chips which permits heavier feeds and faster speeds. Ideal for zinc and aluminum.

ALL TYPES:

Radial edged tool diameter tolerance: +.002"/-.000".

Upsharp tool diameter tolerance: +.005"/-.000".

Shank diameter tolerance: -.0001"/-.0005".

Straight shanks with drive flats.

For radial edged and upsharp descriptions, see page 33.

TOOL DIAMETER		SHANK DIAM.	CARB. TIP LEN.	OVER ALL LEN.	TYPE 3302 - STR. FLTS.			TYPE 3304 - FOUR/SIX STR. FLTS.			TYPE 3305 - FOUR STR. FLTS.			TYPE 3306 - 6° RIGHT SPIRAL			TYPE 3307 - 6° RIGHT SPIRAL		
DECIMAL	FRACTION				NO. OF FLTS.	EDP NO.	PRICE EACH	NO. OF FLTS.	EDP NO.	PRICE EACH	NO. OF FLTS.	EDP NO.	PRICE EACH	NO. OF FLTS.	EDP NO.	PRICE EACH	NO. OF FLTS.	EDP NO.	PRICE EACH
.2500	1/4	3/8	1/2	2 1/2	2	330208	\$66.15	4	330408	\$66.75	4	330508	\$66.75	2	330608	\$67.60	2	330708	\$71.70
.3125	5/16	3/8	5/8	2 1/2	2	330210	68.70	4	330410	71.30	-	-	-	2	330610	70.05	-	-	-
.3750	3/8	3/8	5/8	2 1/2	2	330212	73.60	4	330412	75.15	-	-	-	2	330612	75.00	-	-	-
.4375	7/16	3/8	1	2 1/16	2	330214	73.60	4	330414	75.15	4	330514	72.30	2	330614	75.00	2	330714	79.55
.5000	1/2	1/2	1	3 1/4	2	330216	75.45	4	330416	76.90	4	330516	76.75	2	330616	77.00	2	330716	81.45
.5625	9/16	1/2	1	3 3/4	2	330218	83.45	4	330418	86.40	4	330518	86.15	2	330618	85.25	2	330718	90.15
.6250	5/8	1/2	1	3 3/8	2	330220	83.45	4	330420	90.50	4	330520	90.30	4	330620	88.55	4	330720	93.70
.6875	11/16	5/8	1	3 3/8	2	330222	90.30	4	330422	99.65	4	330522	99.35	-	-	-	-	-	-
.7500	3/4	5/8	1	3 5/8	2	330224	93.70	4	330424	93.10	4	330524	103.20	4	330624	101.20	4	330724	107.05
.8125	13/16	5/8	1	3 5/8	2	330226	113.25	4	330426	109.95	4	330526	118.10	-	-	-	-	-	-
.8750	7/8	5/8	1 1/4	4	2	330228	114.05	4	330428	109.95	4	330528	122.05	4	330628	135.20	4	330728	143.30
.9375	15/16	7/8	1 1/4	4	2	330230	122.05	4	330430	122.10	4	330530	129.90	-	-	-	-	-	-
1.0000	1	7/8	1 1/4	4	2	330232	122.45	4	330432	127.15	4	330532	140.90	4	330632	156.25	4	330732	165.45
1.1250	1 1/8	1	1 1/4	4 1/4	2	330236	125.65	4	330436	144.15	4	330536	159.70	4	330636	177.20	-	-	-
1.2500	1 1/4	1	1 1/4	4 1/4	2	330240	151.45	4	330440	162.10	4	330540	179.55	4	330640	199.10	4	330740	210.60
1.5000	1 1/2	1 1/4	1 1/2	4 1/2	2	330248	187.55	4	330448	209.00	4	330548	222.40	4	330648	246.55	4	330748	251.40
1.7500	1 3/4	1 1/4	1 1/2	4 1/2	2	330256	222.40	6	330456	269.35	-	-	-	6	330656	318.25	-	-	-
2.0000	2	1 1/4	1 1/2	4 1/2	2	330264	248.10	6	330464	310.30	-	-	-	6	330664	366.45	6	330764	373.45

CARBIDE TIPPED END MILLS - FOR NON-FERROUS & CAST IRON

TYPE 3320 - 15° RIGHT SPIRAL FLUTES - RADIAL EDGED

Flute long carbide tips brazed to hardened alloy steel bodies.

For milling primarily cast iron and malleable iron. However, they can be used on other materials *except steel*. The large capacity of the 15° spiral flutes permits faster chip removal while allowing smoother finishes. Also the high spiral provides longer tool life. More flutes than Type 3375 for use where less feed rate per flute is required but table feed is maintained for same productivity.

Also available in 3/4" shank diameter, see pg. 30.



TYPE 3375 - 15° RIGHT SPIRAL FLUTES - RADIAL EDGED

Same as Type 3320, except less flutes.

TYPE 3325 - 25° RIGHT SPIRAL FLUTES - RADIAL EDGED

Flute long carbide tips brazed to hardened alloy steel bodies.

For milling all types of non-ferrous metals and non-metals. The large capacity of the 25° spiral flutes permits faster chip removal while allowing smoother finishes. Also the high spiral provides longer tool life.



TYPE 3327 - 25° RIGHT SPIRAL FLUTES - UPSHARP

Flute long carbide tips brazed to hardened alloy steel bodies.

For high speed milling of aluminum, plastics, and other soft non-ferrous materials.

UPSHARP END MILLS:

These tools are manufactured with sharp cutting edges on the periphery and permit maximum metal removal with less horsepower.

RADIAL EDGED END MILLS:

These tools are manufactured with a precise .002" to .003" radial edge on the periphery, thus eliminating the need to hand hone the feathered edge. This small margin results in a stronger cutting edge and minimizes edge chipping for longer tool life.

ALL TYPES:

Radial edged tool diameter tolerance: +.002"/-.000".

Upsharp tool diameter tolerance: +.005"/-.000".

Shank diameter tolerance: -.0001"/-.0005".

Straight shanks with drive flats.

TOOL DIAMETER		SHANK DIAM.	CARB. TIP LEN.	OVER ALL LEN.	TYPE 3320 - 15° RIGHT SPIRAL			TYPE 3375 - 15° RIGHT SPIRAL			TYPE 3327 OR TYPE 3325 - 25° RIGHT SPIRAL			
DECIMAL	FRACTION				NO. OF FLUTES	EDP NO.	PRICE EACH	NO. OF FLUTES	EDP NO.	PRICE EACH	NO. OF FLUTES	TYPE 3327 EDP NO.	TYPE 3325 EDP NO.	PRICE EACH
.5000	1/2	3/8	1	3	-	-	-	2	337516	\$111.40	2	-	332516	\$120.95
.5000	1/2	1/2	1	3	4	332017	\$120.95	2	337517	111.40	2	-	332517	120.95
.5625	9/16	1/2	1	3	-	-	-	2	337518	119.80	2	-	332518	129.90
.6250	5/8	1/2	1 1/4	3 1/4	-	-	-	2	337520	128.80	2	-	332520	139.85
.6250	5/8	5/8	1 1/4	3 3/8	4	332021	139.85	2	337521	128.80	2	332721	332521	139.85
.6875	11/16	1/2	1 1/4	3 1/4	-	-	-	2	337522	134.30	2	-	332522	145.75
.6875	11/16	5/8	1 1/4	3 3/8	4	332023	145.75	2	337523	134.30	2	-	332523	145.75
.7500	3/4	1/2	1 1/4	3 1/4	-	-	-	2	337524	143.35	2	332724	332524	155.60
.7500	3/4	5/8	1 1/4	3 3/8	4	332025	155.60	2	337525	143.35	2	332725	332525	155.60
.8125	13/16	5/8	1 1/2	3 5/8	4	332026	167.85	2	337526	154.70	2	332726	332526	167.85
.8750	7/8	5/8	1 1/2	3 5/8	-	-	-	2	337528	164.30	2	-	332528	178.20
.8750	7/8	7/8	1 1/2	3 3/4	4	332029	178.20	2	337529	164.30	2	-	332529	178.20
.9375	15/16	5/8	1 1/2	3 3/4	-	-	-	3	337530	243.15	2	-	332530	201.50
.9375	15/16	7/8	1 1/2	3 3/4	-	-	-	3	337531	243.15	2	-	332531	201.50
1.0000	1	7/8	1 1/2	3 3/4	-	-	-	3	337532	230.25	2	332732	332532	205.75
1.0000	1	1	1 1/2	4	6	332033	249.85	3	337533	230.25	2	332733	332533	205.75
1.1250	1 1/8	1	1 3/4	4 1/4	6	332036	294.15	3	337536	271.10	2	-	332536	225.20
1.2500	1 1/4	1	1 3/4	4 1/4	6	332040	337.10	4	337540	310.70	3	332740	332540	298.85
1.3750	1 3/8	1	1 3/4	4 1/4	6	332044	393.85	4	337544	362.80	3	332744	332544	323.95
1.5000	1 1/2	1 1/4	2	4 1/2	6	332048	387.95	4	337548	357.50	3	332748	332548	361.80
1.6250	1 5/8	1 1/4	2	4 1/2	-	-	-	4	337552	437.20	3	-	332552	428.25
1.7500	1 3/4	1 1/4	2	4 1/2	8	332056	487.80	4	337556	466.25	3	-	332556	459.45
1.8750	1 7/8	1 1/4	2	4 1/2	-	-	-	4	337560	498.65	3	-	332560	494.65
2.0000	2	1 1/4	2	4 1/2	8	332064	551.10	4	337564	526.75	3	332764	332564	528.75

CARBIDE TIPPED PORT CONTOUR CUTTERS

ISO 6149-1 METRIC PORTS - WITHOUT I.D. GROOVE

TYPE 3786 - STRAIGHT SHANK - FOR NON-FERROUS & CAST IRON

TYPE 3787 - STRAIGHT SHANK - FOR STEEL

Carbide tips brazed to one piece heat treated steel bodies.

In a single operation, a port contour cutter can produce the form and finish required on internal straight thread o-ring ports. All tolerances are within military specifications. All are manufactured with negative radial rake and 5° axial rake.



THREAD SIZE	DIMENSIONS									N-F/CI TYPE 3786 EDP NO.	STEEL TYPE 3787 EDP NO.	BOTH TYPES PRICE
	DIAMETER			TAPER SHANK NO.	SEALING SEAT ANGLE	LENGTH						
	REAMER	SPOTFACE	SHANK			SHANK	REAMER	HEAD	OVERALL			
M 8X1	.2770	.6690	.5000	3	12°	2	.4530	1 1/8	3 1/8	3786080	3787080	\$423.55
M 10X1	.3560	.7870	.5000	3	12°	2	.4530	1 1/4	3 1/4	3786100	3787100	423.55
M 12X1.5	.4150	.9060	.5000	3	15°	2	.5510	1 1/4	3 1/4	3786120	3787120	443.55
M 14X1.5	.4930	.9840	.5000	3	15°	2	.5510	1 1/4	3 1/4	3786140	3787140	443.55
M 16X1.5	.5720	1.1020	.5000	3	15°	2	.6100	1 1/4	3 1/4	3786160	3787160	488.45
M 18X1.5	.6510	1.1810	.7500	3	15°	2	.6690	1 3/8	3 3/8	3786180	3787180	488.45
M 20X1.5	.7300	1.2600	.7500	3	15°	2	.6890	1 3/8	3 3/8	3786200	3787200	507.30
M 22X1.5	.8080	1.3390	.7500	3	15°	2	.7090	1 3/8	3 3/8	3786220	3787220	526.15
M 27X2	.9850	1.5750	.7500	3	15°	2 1/4	.8660	1 7/8	4 1/8	3786270	3787270	568.65
M 33X2	1.2210	1.9290	.7500	3	15°	2 1/4	.8660	1 7/8	4 1/8	3786330	3787330	654.05
M 42X2	1.5760	2.3620	1.0000	3	15°	2 1/4	.8860	1 7/8	4 1/8	3786420	3787420	714.75
M 48X2	1.8120	2.5890	1.0000	4	15°	2 1/4	.9840	2	4 1/4	3786480	3787480	755.65
M 60X2	2.2840	2.9920	1.0000	4	15°	2 1/4	1.0830	2	4 1/4	3786600	3787600	854.80

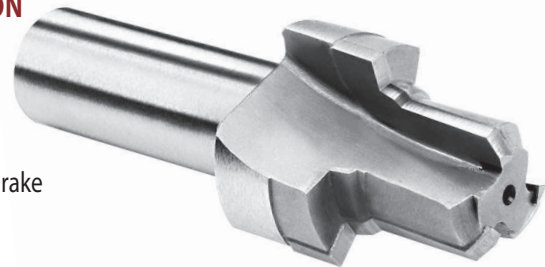
S.A.E. PORTS - MS16142 - J514F - J1926

TYPE 3780 - STRAIGHT SHANK - FOR NON-FERROUS & CAST IRON

TYPE 3781 - STRAIGHT SHANK - FOR STEEL

Carbide tips brazed to one piece heat treated steel bodies.

In a single operation, a port contour cutter can produce the form and finish required on internal straight thread o-ring ports. All tolerances are within military specifications. All are manufactured with negative radial rake and 5° axial rake.



TUBE			DIMENSIONS								N-F/CI TYPE 3780 EDP NO.	STEEL TYPE 3781 EDP NO.	BOTH TYPES PRICE
NO.	SIZE	THREAD SIZE	DIAMETER			SEALING SEAT ANGLE	LENGTH						
			REAMER	SPOTFACE	SHANK		SHANK	REAMER	HEAD	OVERALL			
2	1/8	5/16-24	.2720	.6820	.5000	12°	2	.4730	1 1/8	3 1/8	378002	378102	\$393.95
3	3/16	3/8-24	.3350	.7600	.5000	12°	2	.4730	1 1/4	3 1/4	378003	378103	393.95
4	1/4	7/16-20	.3890	.8380	.5000	12°	2	.5520	1 1/4	3 1/4	378004	378104	393.95
5	5/16	1/2-20	.4520	.9160	.5000	12°	2	.5520	1 1/4	3 1/4	378005	378105	406.30
6	3/8	9/16-18	.5090	.9790	.5000	12°	2	.6140	1 1/4	3 1/4	378006	378106	406.30
8	1/2	3/4-16	.6890	1.1980	.7500	15°	2	.6930	1 3/8	3 3/8	378008	378108	444.70
10	5/8	7/8-14	.8060	1.3540	.7500	15°	2	.7860	1 5/8	3 5/8	378010	378110	502.95
12	3/4	1 1/16-12	.9810	1.6350	.7500	15°	2 1/4	.9110	1 7/8	4 1/8	378012	378112	542.55
14	7/8	1 3/16-12	1.1060	1.7750	.7500	15°	2 1/4	.9110	1 7/8	4 1/8	378014	378114	551.30
16	1	1 5/16-12	1.2310	1.9200	.7500	15°	2 1/4	.9110	1 7/8	4 1/8	378016	378116	593.40
20	1 1/4	1 5/8-12	1.5440	2.2800	1.0000	15°	2 1/4	.9110	2	4 1/4	378020	378120	653.70
24	1 1/2	1 7/8-12	1.7940	2.5700	1.0000	15°	2 1/4	.9110	2	4 1/4	378024	378124	803.95
32	2	2 1/2-12	2.4190	3.4900	1.0000	15°	2 1/4	.9110	2 1/4	4 1/2	378032	378132	1049.95

LEXINGTON CUTTER, INC. • sales@lexingtoncutter.com • Phone 800-882-2627 • Fax 800-882-3637

FEEDS & SPEEDS CHART FOR COUNTERBORES



Feeds & speeds are a starting recommendation only. Factors such as machine, fixture and tooling rigidity, horsepower available, coolant application and others will affect the performance significantly. Please read machine operators instructions and use all safety shields and glasses before performing these operations.

$$\text{RPM} = \text{SFPM} \times 3.82 / \text{Cutter Diameter}$$

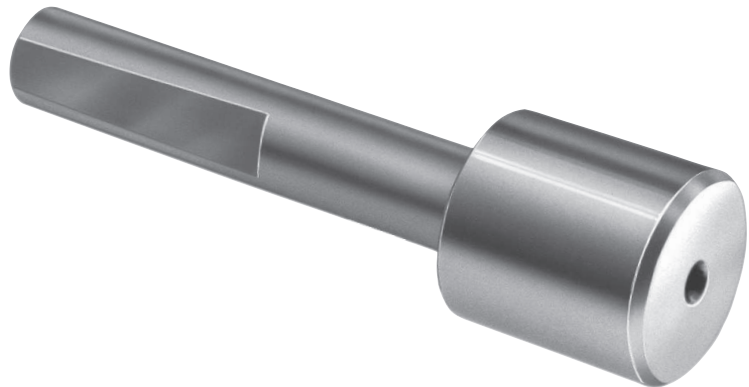
CLASSIFICATION	MATERIAL	COUNTERBORING		FEED RATE (INCHES PER REVOLUTION) FINISHED HOLE DIAMETER IN INCHES					
		BRINELL	SFPM	¼	½	¾	1	1 ½	2
NON-FERROUS (SOFT)	ALUMINUM ALLOY - WROUGHT	30-150*	750-900	.006	.006	.007	.007	.009	.010
	MAGNESIUM ALLOY	50-90*	875-1000	.006	.006	.007	.007	.009	.010
	LEAD	10-20*	875-1000	.006	.006	.007	.007	.009	.010
	NON-METAL AND PLASTIC	-	700-1200	.006	.006	.007	.007	.009	.010
	ZINC ALLOY - DIE CAST	80-100	700-850	.005	.005	.006	.006	.007	.009
NON-FERROUS (HARD)	ALUMINUM BRONZE	40-175	700-850	.006	.006	.007	.007	.009	.010
	BRASS ALLOY - LEADED AND FREE CUTTING	10-100Rb	850-1000	.006	.006	.007	.007	.009	.010
	CHROMIUM - NICKEL	10-100Rb	75-85	.003	.003	.003	.003	.004	.005
	COPPER ALLOY - TOUGH	40-200*	275-350	.005	.005	.006	.006	.007	.009
CAST IRON	DUCTILE CAST IRON - AUSTENITIC	120-275	85-110	.002	.002	.002	.002	.003	.004
	DUCTILE CAST IRON - FERRITIC	140-270	200-250	.006	.006	.007	.007	.009	.010
	DUCTILE CAST IRON - MARTENSITIC	270-400	75-95	.002	.002	.002	.002	.003	.004
	GRAY - PEARLITIC	220-320	125-200	.004	.004	.004	.005	.006	.007
	GRAY - FERRITIC	110-240	200-250	.004	.004	.004	.005	.006	.007
	MALLEABLE CAST IRON - MARTENSITIC	200-320	60-85	.004	.004	.004	.005	.006	.007
LOW CARBON STEELS	LOW AND MEDIUM CARBON STEEL - FREE MACHINING	100-250	200-250	.006	.006	.007	.007	.009	.010
	LOW AND MEDIUM CARBON STEEL - WROUGHT	100-375	150-200	.006	.006	.007	.007	.009	.010
MEDIUM STRENGTH STEELS	LOW AND MEDIUM CARBON ALLOY STEEL - FREE MACHINING	100-275	145-185	.004	.004	.004	.005	.006	.007
	LOW AND MEDIUM CARBON ALLOY STEEL	85-375	130-165	.004	.004	.004	.005	.006	.007
	STAINLESS STEEL - 400 SERIES	135-325	150-200	.003	.003	.003	.003	.004	.005
	STAINLESS STEEL - 400 SERIES FREE MACHINING	135-275	155-205	.003	.003	.003	.003	.004	.005
HIGH STRENGTH STEELS	HIGH STRENGTH STEEL - WROUGHT & TOOL STEEL	175-400	90-135	.002	.002	.002	.002	.003	.003
HIGH TEMP. ALLOYS	HIGH TEMP ALLOYS NICKEL & IRON BASE ALLOY	140-300	40-65	.002	.002	.002	.002	.003	.003
	STAINLESS STEEL - 300 SERIES	135-375	150-300	.003	.003	.003	.003	.004	.005
	STAINLESS STEEL - PH SERIES	150-440	115-175	.003	.003	.003	.003	.004	.005
	TITANIUM ALLOY	110-380	125-175	.002	.002	.002	.002	.003	.003

INTERCHANGEABLE COUNTERBORE PILOTS

TYPE 3500 - CARBON STEEL - SHORT SHANK

For use with our carbide tipped counterbores (pages 38-47).

The shank diameter must be the same as the pilot hole diameter in the counterbore. The pilot head diameter is always larger than the shank diameter and is determined by part to be machined.



PILOT HEAD DIAMETER	TOLERANCE
1/8" THRU 1/4"	-.001"/-.002"
OVER 1/4" THRU 7/8"	-.003"/-.004"
OVER 7/8" THRU 1 1/4"	-.005"/-.006"
OVER 1 1/4"	-.006"/-.007"

Shank diameter tolerance: +.0000"/-.0005".

PILOT HEAD DIAMETER		SHANK DIAMETER									ALL TYPES PRICE	PRICE EACH - PILOT HEAD DIAMETER FINISHED TO DECIMAL SIZE					
DEC.	FRACTION	.0938 EDP NO.	.1250 EDP NO.	.1562 EDP NO.	.1875 EDP NO.	.2500 EDP NO.	.3125 EDP NO.	.3750 EDP NO.	.4375 EDP NO.	.5000 EDP NO.		1 PC.	2 PC.	3 PC.	4 PC.	5-7	8+
.1250	1/8	350104	-	-	-	-	-	-	-	-	\$27.25	\$108.20	\$67.75	\$54.25	\$47.65	\$40.75	\$35.15
.1562	5/32	350105	350205	-	-	-	-	-	-	-	22.10	103.00	62.55	49.05	42.30	35.60	30.05
.1875	3/16	350106	350206	350306	-	-	-	-	-	-	22.55	103.45	63.00	49.50	42.80	36.00	30.35
.2188	7/32	350107	350207	350307	350407	-	-	-	-	-	25.50	106.50	65.95	52.45	45.95	39.05	33.45
.2500	1/4	350108	350208	350308	350408	-	-	-	-	-	25.50	106.50	65.95	52.45	45.95	39.05	33.45
.2812	9/32	350109	350209	350309	350409	350509	-	-	-	-	27.25	108.20	67.75	54.25	47.65	40.75	35.15
.3125	5/16	350110	350210	350310	350410	350510	-	-	-	-	27.25	108.20	67.75	54.25	47.65	40.75	35.15
.3438	11/32	350111	350211	350311	350411	350511	350611	-	-	-	27.25	108.20	67.75	54.25	47.65	40.75	35.15
.3750	3/8	-	350212	350312	350412	350512	350612	-	-	-	30.05	110.95	70.50	57.00	50.25	43.50	38.00
.4062	13/32	-	350213	350313	350413	350513	350613	-	-	-	30.05	110.95	70.50	57.00	50.25	43.50	38.00
.4375	7/16	-	350214	350314	350414	350514	350614	350714	-	-	30.70	111.60	71.15	57.65	51.00	44.20	38.65
.4688	15/32	-	350215	-	350415	350515	350615	-	-	-	30.70	111.60	71.15	57.65	51.00	44.20	38.65
.5000	1/2	-	350216	-	350416	350516	350616	350716	350816	-	35.15	116.10	75.70	62.10	55.60	48.70	43.10
.5312	17/32	-	350217	-	350417	350517	350617	-	350817	-	40.95	121.90	81.45	68.05	61.30	54.55	48.95
.5625	9/16	-	350218	-	350418	350518	350618	350718	350818	350918	46.00	126.95	86.50	73.00	66.40	59.60	53.95
.5938	19/32	-	350219	-	-	350519	350619	-	350819	350919	50.55	131.50	90.95	77.45	70.70	63.95	58.45
.6250	5/8	-	350220	-	350420	350520	350620	350720	350820	350920	50.55	131.50	90.95	77.45	70.70	63.95	58.45
.6562	21/32	-	-	-	350421	350521	350621	-	350821	-	51.70	132.65	92.15	78.65	72.10	65.20	59.65
.6875	11/16	-	-	-	350422	350522	350622	350722	350822	350922	51.70	132.65	92.15	78.65	72.10	65.20	59.65
.7188	23/32	-	-	-	-	350523	350623	-	350823	350923	58.60	139.50	99.05	85.55	78.85	72.10	66.55
.7500	3/4	-	-	-	350424	350524	350624	350724	350824	350924	58.60	139.50	99.05	85.55	78.85	72.10	66.55
.7812	25/32	-	-	-	-	350525	350625	-	350825	350925	65.90	146.75	106.35	92.80	86.30	79.40	73.85
.8125	13/16	-	-	-	350426	350526	350626	350726	350826	350926	65.90	146.75	106.35	92.80	86.30	79.40	73.85
.8438	27/32	-	-	-	-	350527	-	-	-	-	72.85	153.80	113.30	99.85	93.10	86.35	80.80
.8750	7/8	-	-	-	350428	350528	350628	350728	350828	350928	72.85	153.80	113.30	99.85	93.10	86.35	80.80
.9375	15/16	-	-	-	350430	350530	350630	350730	350830	350930	76.85	157.75	117.30	103.90	97.15	90.40	84.80
1.0000	1	-	-	-	350432	350532	350632	350732	350832	350932	79.55	160.40	120.00	106.50	99.85	93.05	87.50
1.0625	1 1/16	-	-	-	-	-	350634	350734	350834	350934	82.45	163.30	122.90	109.35	102.60	95.95	90.40
1.1250	1 1/8	-	-	-	-	-	350636	350736	350836	350936	99.35	180.30	139.80	126.30	119.70	112.80	107.30
1.1875	1 3/16	-	-	-	-	-	350638	350738	350838	350938	102.40	183.25	142.85	129.35	122.75	115.90	110.35
1.2500	1 1/4	-	-	-	-	-	350640	350740	350840	350940	107.95	188.85	148.40	134.90	128.35	121.40	115.90
1.3125	1 5/16	-	-	-	-	-	-	350742	350842	350942	113.60	194.55	154.10	140.60	134.00	127.20	121.55
1.3750	1 3/8	-	-	-	-	-	350644	350744	350844	350944	124.05	205.15	164.70	151.20	144.45	137.70	132.10
1.4375	1 7/16	-	-	-	-	-	-	350746	350846	350946	125.55	206.50	166.00	152.50	145.90	139.00	133.50
1.5000	1 1/2	-	-	-	-	-	-	-	350848	350948	127.20	208.20	167.70	154.20	147.45	140.70	135.20
1.5625	1 9/16	-	-	-	-	-	-	-	350850	350950	128.65	209.75	169.30	155.80	149.05	142.30	136.75
1.6250	1 5/8	-	-	-	-	-	-	-	-	350952	130.05	210.95	170.50	157.00	150.35	143.50	138.00
1.6875	1 11/16	-	-	-	-	-	-	-	-	350954	131.80	212.65	172.20	158.70	152.05	145.20	139.70
1.7500	1 3/4	-	-	-	-	-	-	-	350856	350956	133.85	214.65	174.15	160.65	154.10	147.20	141.65
1.8750	1 7/8	-	-	-	-	-	-	-	-	350960	161.15	242.35	201.80	188.30	181.55	174.80	169.30
2.0000	2	-	-	-	-	-	-	-	-	350964	161.15	242.35	201.80	188.30	181.55	174.80	169.30

CARBIDE TIPPED CAPSCREW COUNTERBORES

TYPE 3513 - STRAIGHT SHANK - FOR NON-FERROUS & CAST IRON

TYPE 3515 - STRAIGHT SHANK - FOR STEEL

Carbide tips brazed to hardened alloy steel bodies. Right spiral smooth flutes. Integral pilot type.

Tools are designed with appropriate carbide grade and tool geometry for material being machined. The pilot is manufactured in nominal screw body diameters as well as 1/64" and 1/32" over size diameters.

Decimal sizes available upon request.



TOOL DIAMETER		PILOT DIAMETER	PILOT LENGTH	SHANK DIAMETER	OVERALL LENGTH	TYPE 3513 - NON-FERR/CI		PRICE EACH	TYPE 3515 - STEEL		PRICE EACH
DECIMAL	SCREW SIZE					NO. OF FLUTES	EDP NO.		NO. OF FLUTES	EDP NO.	
.3820	1/4	.2500	.3125	5/16	5 5/8	3	35132500	\$106.35	3	35152500	\$116.95
.3980	1/4	.2650	.3125	5/16	5 5/8	3	35132650	118.15	3	35152650	130.00
.4140	1/4	.2810	.3125	5/16	5 5/8	3	35132810	118.15	3	35152810	130.00
.4750	5/16	.3125	.3750	3/8	6 1/8	3	35133125	118.95	3	35153125	130.90
.4910	5/16	.3280	.3750	3/8	6 1/8	3	35133280	118.95	3	35153280	130.90
.5070	5/16	.3430	.3750	3/8	6 1/8	3	35133430	118.95	3	35153430	130.90
.5720	3/8	.3750	.5000	1/2	6 1/2	3	35133750	134.15	3	35153750	147.60
.5880	3/8	.3900	.5000	1/2	6 1/2	3	35133900	134.15	3	35153900	147.60
.6040	3/8	.4060	.5000	1/2	6 1/2	3	35134060	134.15	3	35154060	147.60
.6630	7/16	.4375	.5000	1/2	7	3	35134375	129.55	3	35154375	142.55
.6790	7/16	.4530	.5000	1/2	7	3	35134530	129.55	3	35154530	142.55
.6950	7/16	.4680	.5000	1/2	7	3	35134680	129.55	3	35154680	142.55
.7570	1/2	.5000	.5000	1/2	7 1/2	3	35135000	146.90	3	35155000	161.70
.7730	1/2	.5150	.5000	1/2	7 1/2	3	35135150	146.90	3	35155150	161.70
.7890	1/2	.5310	.5000	1/2	7 1/2	3	35135310	146.90	3	35155310	161.70
.8510	9/16	.5625	.5625	5/8	7 5/8	3	35135625	142.00	3	35155625	156.25
.8670	9/16	.5780	.5625	5/8	7 5/8	3	35135780	142.00	3	35155780	156.25
.8830	9/16	.5930	.5625	5/8	7 5/8	3	35135930	142.00	3	35155930	156.25
.9450	5/8	.6250	.6250	5/8	7 5/8	3	35136250	161.90	3	35156250	178.10
.9610	5/8	.6400	.6250	5/8	7 5/8	3	35136400	161.90	3	35156400	178.10
.9770	5/8	.6560	.6250	5/8	7 5/8	3	35136560	161.90	3	35156560	178.10
1.1330	3/4	.7500	.7500	3/4	7 3/4	3	35137500	159.60	3	35157500	175.55
1.1490	3/4	.7650	.7500	3/4	7 3/4	3	35137650	159.60	3	35157650	175.55
1.1650	3/4	.7810	.7500	3/4	7 3/4	3	35137810	159.60	3	35157810	175.55
1.3220	7/8	.8750	.8750	7/8	8 1/8	4	35138750	177.40	4	35158750	195.30
1.3380	7/8	.8910	.8750	7/8	8 1/8	4	35138910	177.40	4	35158910	195.30
1.3540	7/8	.9060	.8750	7/8	8 1/8	4	35139060	177.40	4	35159060	195.30
1.5100	1	1.0000	1.0000	1	8 1/2	4	35130000	203.15	4	35150000	223.50
1.5260	1	1.0150	1.0000	1	8 1/2	4	35130156	203.15	4	35150156	223.50
1.5420	1	1.0310	1.0000	1	8 1/2	4	35130313	203.15	4	35150313	223.50

TYPE 3513 - STRAIGHT SHANK - FOR NON-FERROUS & CAST IRON - METRIC

TYPE 3515 - STRAIGHT SHANK - FOR STEEL - METRIC

Same as above except metric sizes.

TOOL DIAMETER		PILOT DIAMETER	PILOT LENGTH	SHANK DIAMETER	OVERALL LENGTH	TYPE 3513 - NON-FERR/CI		PRICE EACH	TYPE 3515 - STEEL		PRICE EACH
SCREW SIZE mm	DECIMAL					NO. OF FLUTES	EDP NO.		NO. OF FLUTES	EDP NO.	
5	.3543	5.5	9/32	5/16	5 5/8	3	3513055	\$117.85	3	3515055	\$129.55
6	.4134	6.5	5/16	5/16	5 5/8	3	3513065	124.35	3	3515065	136.80
8	.5315	8.5	3/8	1/2	6 1/2	3	3513085	147.75	3	3515085	162.40
10	.6496	10.5	1/2	1/2	7	3	3513105	160.65	3	3515105	176.75
12	.7283	12.5	1/2	1/2	7 1/2	3	3513125	150.75	3	3515125	165.75
14	.8465	14.5	9/16	5/8	7 5/8	3	3513145	175.80	3	3515145	193.30
16	.9646	16.5	5/8	5/8	7 5/8	3	3513165	183.65	3	3515165	202.05
20	1.2008	20.5	3/4	7/8	8	3	3513205	170.30	3	3515205	187.35

CARBIDE TIPPED COUNTERBORES FOR NON-FERROUS & CAST IRON

TYPE 3512 - STRAIGHT SHANK - FOUR FLUTES

TYPE 3514 - STRAIGHT SHANK - THREE/FOUR FLUTES

Carbide tips brazed to hardened alloy steel bodies. Right spiral smooth flutes. Interchangeable pilot type.

Tools are designed with appropriate carbide grade and tool geometry for machining non-ferrous, cast iron and non-metals.

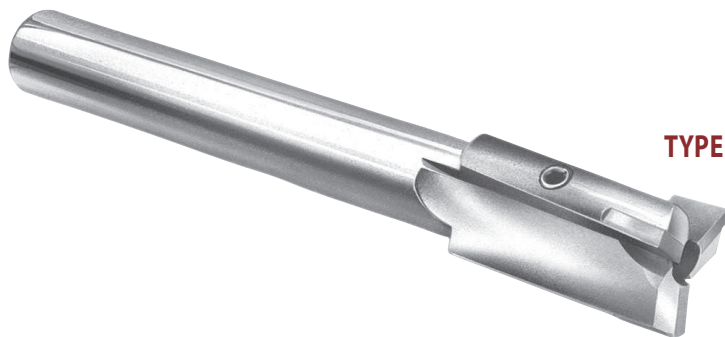


Tool diameter tolerance: +.001"/-.000".
Shank diameter tolerance: +.0000"/-.0005".

TOOL DIAMETER		MIN. CUT DIAM.	PILOT HOLE DIAM.	SHANK DIAM.	OVER ALL LEN.	TYPE 3512		TYPE 3514		BOTH TYPES PRICE	DECIMAL SIZE RANGE	PRICE EACH - FINISHED TO DECIMAL SIZE					
DECIMAL	FRACTION					NO. OF FLTS.	EDP NO.	NO. OF FLTS.	EDP NO.			1 PC.	2 PC.	3 PC.	4 PC.	5-7	8-14*
.2500	1/4	.114	3/32	15/64	3 13/16	-	-	3	351408	\$85.90	.2381 - .2530	\$134.40	\$110.20	\$102.10	\$98.10	\$93.95	\$90.65
.2812	9/32	.114	3/32	17/64	3 13/16	-	-	3	351409	105.00	.2531 - .2840	153.35	129.25	121.15	117.15	113.15	109.75
.3125	5/16	.114	3/32	19/64	3 13/16	-	-	3	351410	95.40	.2841 - .3150	143.85	119.70	111.60	107.60	103.50	100.15
.3438	11/32	.114	3/32	5/16	3 13/16	-	-	3	351411	120.80	.3151 - .3470	169.20	144.90	136.80	132.90	128.80	125.40
.3750	3/8	.182	5/32	5/16	4 1/16	-	-	3	351412	101.15	.3471 - .3780	145.90	123.55	116.05	112.40	108.65	105.60
.4062	13/32	.182	5/32	3/8	4 1/16	-	-	3	351413	114.10	.3781 - .4090	158.80	136.55	129.05	125.30	121.55	118.50
.4375	7/16	.182	5/32	3/8	4 1/16	-	-	3	351414	103.80	.4091 - .4410	148.45	126.15	118.65	115.10	111.25	108.20
.4688	15/32	.228	3/16	7/16	4 5/16	-	-	3	351415	126.75	.4411 - .4720	171.40	149.05	141.65	138.00	134.15	131.10
.5000	1/2	.228	3/16	7/16	4 5/16	4	351216	3	351416	115.25	.4721 - .5030	159.90	137.50	130.15	126.45	122.65	119.60
.5312	17/32	.228	3/16	1/2	4 5/16	4	351217	3	351417	130.45	.5031 - .5340	175.05	152.80	145.35	141.65	137.85	134.75
.5625	9/16	.228	3/16	1/2	4 5/16	4	351218	3	351418	118.55	.5341 - .5660	163.30	140.90	133.50	129.80	126.05	122.95
.5938	19/32	.228	3/16	1/2	5 1/8	4	351219	3	351419	131.80	.5661 - .5970	176.35	154.10	146.70	143.00	139.10	136.10
.6250	5/8	.228	3/16	1/2	5 1/8	4	351220	3	351420	119.75	.5971 - .6280	164.45	142.00	134.60	130.95	127.20	124.15
.6562	21/32	.228	3/16	1/2	5 1/8	4	351221	3	351421	139.50	.6281 - .6590	184.10	161.85	154.35	150.65	146.90	143.85
.6875	11/16	.228	3/16	1/2	5 1/8	4	351222	3	351422	126.80	.6591 - .6910	171.55	149.15	141.70	138.10	134.30	131.20
.7188	23/32	.290	1/4	1/2	5 3/8	4	351223	3	351423	142.85	.6911 - .7220	187.35	165.10	157.70	154.05	150.20	147.15
.7500	3/4	.290	1/4	1/2	5 3/8	4	351224	3	351424	129.70	.7221 - .7530	174.45	152.05	144.60	140.90	137.20	134.10
.7812	25/32	.290	1/4	5/8	5 3/8	4	351225	3	351425	145.80	.7531 - .7840	190.40	168.05	160.65	157.00	153.15	150.10
.8125	13/16	.290	1/4	5/8	5 3/8	4	351226	3	351426	132.45	.7841 - .8160	177.10	154.70	147.35	143.60	139.95	136.80
.8438	27/32	.290	1/4	3/4	5 3/8	4	351227	3	351427	154.40	.8161 - .8470	199.10	176.65	169.30	165.60	161.90	158.80
.8750	7/8	.290	1/4	3/4	5 3/8	4	351228	3	351428	140.40	.8471 - .8780	185.05	162.70	155.30	151.60	147.80	144.75
.9062	29/32	.290	1/4	3/4	6 1/8	4	351229	3	351429	157.55	.8781 - .9090	202.25	179.85	172.45	168.80	165.00	162.00
.9375	15/16	.290	1/4	3/4	6 1/8	4	351230	3	351430	143.30	.9091 - .9410	188.00	165.60	158.20	154.50	150.70	147.65
.9688	31/32	.353	5/16	3/4	6 3/8	4	351231	3	351431	162.15	.9411 - .9720	206.80	184.40	177.05	173.35	169.55	166.50
1.0000	1	.353	5/16	3/4	6 3/8	4	351232	3	351432	147.45	.9721 - 1.0030	192.10	169.70	162.30	158.65	154.85	151.75
1.0625	1 1/16	.353	5/16	3/4	6 3/8	4	351234	3	351434	149.00	1.0031 - 1.0660	193.65	171.25	163.85	160.20	156.40	153.30
1.1250	1 1/8	.353	5/16	1	6 3/8	4	351236	3	351436	152.80	1.0661 - 1.1280	197.35	175.05	167.70	163.90	160.20	157.15
1.1875	1 3/16	.353	5/16	1	6 3/8	4	351238	3	351438	159.55	1.1281 - 1.1905	204.20	181.95	174.50	170.80	166.95	163.90
1.2500	1 1/4	.426	3/8	1	6 3/8	-	-	4	351440	177.70	1.1906 - 1.2530	226.10	201.95	193.80	189.90	185.70	182.45
1.3125	1 5/16	.426	3/8	1	6 3/8	-	-	4	351442	191.80	1.2531 - 1.3155	240.35	216.05	207.90	204.00	199.90	196.55
1.3750	1 3/8	.426	3/8	1	6 3/8	-	-	4	351444	201.80	1.3156 - 1.3780	250.20	225.95	217.85	213.85	209.75	206.40
1.4375	1 7/16	.426	3/8	1 1/4	7 7/8	-	-	4	351446	221.20	1.3781 - 1.4405	273.80	247.45	238.65	234.30	229.95	226.25
1.5000	1 1/2	.426	3/8	1 1/4	7 7/8	-	-	4	351448	255.70	1.4406 - 1.5030	310.30	283.00	273.90	269.50	264.80	261.05
1.5625	1 5/8	.489	7/16	1 1/4	8 1/8	-	-	4	351450	263.20	1.5031 - 1.5660	317.95	290.50	281.45	276.90	272.35	268.60
1.6250	1 5/8	.489	7/16	1 1/4	8 1/8	-	-	4	351452	268.75	1.5661 - 1.6280	323.40	296.05	287.05	282.50	277.90	274.20
1.6875	1 11/16	.489	7/16	1 1/4	8 1/8	-	-	4	351454	321.55	1.6281 - 1.6910	380.45	351.05	341.20	336.25	331.35	327.25
1.7500	1 3/4	.489	7/16	1 1/4	8 1/8	-	-	4	351456	321.55	1.6911 - 1.7530	380.45	351.05	341.20	336.25	331.35	327.25
1.8125	1 13/16	.489	7/16	1 1/2	8 1/8	-	-	4	351458	380.70	1.7531 - 1.8160	439.65	410.20	400.30	395.45	390.40	386.45
1.8750	1 7/8	.489	7/16	1 1/2	8 1/8	-	-	4	351460	380.70	1.8161 - 1.8780	439.65	410.20	400.30	395.45	390.40	386.45
1.9375	1 15/16	.489	7/16	1 1/2	8 1/8	-	-	4	351462	416.05	1.8781 - 1.9410	475.10	445.60	435.65	430.80	425.80	421.80
2.0000	2	.551	1/2	1 1/2	8 3/8	-	-	4	351464	416.05	1.9411 - 2.0030	475.10	445.60	435.65	430.80	425.80	421.80

CARBIDE TIPPED COUNTERBORES FOR NON-FERROUS & CAST IRON

METRIC



TYPE 3512 - STRAIGHT SHANK - FOUR FLUTES
TYPE 3514 - STRAIGHT SHANK - THREE/FOUR FLUTES

Detailed description, tolerances, and fractional sizes on page 34. Tool diameter in millimeters with all other dimensions in inches.

TOOL DIAM.		MIN. CUT DIAM.	PILOT HOLE DIAM.	SHANK DIAM.	OVER ALL LEN.	TYPE 3512		TYPE 3514		BOTH TYPES PRICE	METRIC SIZE RANGE	PRICE EACH - FINISHED TO METRIC SIZE						
mm	INCH					NO. OF FLTS.	EDP NO.	NO. OF FLTS.	EDP NO.			1 PC.	2 PC.	3 PC.	4 PC.	5-7	8-14	15+
6.0	.2362	.114	3/32	15/64	3 13/16	-	-	3	3514060	\$102.10	6.000 - 6.426	\$138.25	\$114.05	\$105.95	\$102.10	\$98.00	\$94.75	\$89.95
6.5	.2559	.114	3/32	17/64	3 13/16	-	-	3	3514065	121.15	6.427 - 7.214	157.40	133.10	125.10	121.15	117.10	113.80	109.00
7.0	.2756	.114	3/32	17/64	3 13/16	-	-	3	3514070	121.15	-	-	-	-	-	-	-	-
7.5	.2953	.114	3/32	19/64	3 13/16	-	-	3	3514075	111.60	7.215 - 8.001	147.75	123.55	115.45	111.60	107.50	104.25	99.45
8.0	.3150	.114	3/32	19/64	3 13/16	-	-	3	3514080	111.60	-	-	-	-	-	-	-	-
8.5	.3346	.114	3/32	5/16	3 13/16	-	-	3	3514085	136.80	8.002 - 8.814	173.05	148.85	140.70	136.80	132.75	129.40	124.75
9.0	.3543	.182	5/32	5/16	4 1/16	-	-	3	3514090	116.05	8.815 - 9.601	149.45	127.10	119.70	116.05	112.35	109.20	104.85
9.5	.3740	.182	5/32	5/16	4 1/16	-	-	3	3514095	116.05	-	-	-	-	-	-	-	-
10.0	.3937	.182	5/32	3/8	4 1/16	-	-	3	3514100	129.05	9.602 - 10.389	162.35	140.10	132.60	129.05	125.25	122.20	117.90
10.5	.4134	.182	5/32	3/8	4 1/16	-	-	3	3514105	118.65	10.390 - 11.201	152.05	129.70	122.30	118.65	115.00	111.90	107.50
11.0	.4331	.182	5/32	3/8	4 1/16	-	-	3	3514110	118.65	-	-	-	-	-	-	-	-
11.5	.4528	.228	3/16	7/16	4 5/16	-	-	3	3514115	141.65	11.202 - 11.989	174.95	152.70	145.30	141.65	137.85	134.75	130.45
12.0	.4724	.228	3/16	7/16	4 5/16	4	3512120	3	3514120	130.15	11.990 - 12.776	163.45	141.20	133.70	130.15	126.35	123.25	118.80
12.5	.4921	.228	3/16	7/16	4 5/16	4	3512125	3	3514125	130.15	-	-	-	-	-	-	-	-
13.0	.5118	.228	3/16	1/2	4 5/16	4	3512130	3	3514130	145.35	12.777 - 13.564	178.65	156.35	148.90	145.35	141.55	138.55	134.10
13.5	.5315	.228	3/16	1/2	4 5/16	4	3512135	3	3514135	145.35	-	-	-	-	-	-	-	-
14.0	.5512	.228	3/16	1/2	4 5/16	4	3512140	3	3514140	133.50	13.565 - 14.376	166.80	144.55	137.10	133.50	129.70	126.65	122.30
14.5	.5709	.228	3/16	1/2	5 1/8	4	3512145	3	3514145	146.70	14.377 - 15.164	180.00	157.70	150.20	146.70	142.90	139.85	135.40
15.0	.5906	.228	3/16	1/2	5 1/8	4	3512150	3	3514150	146.70	-	-	-	-	-	-	-	-
15.5	.6102	.228	3/16	1/2	5 1/8	4	3512155	3	3514155	134.60	15.165 - 15.951	168.00	145.75	138.25	134.60	130.90	127.85	123.45
16.0	.6299	.228	3/16	1/2	5 1/8	4	3512160	3	3514160	154.35	15.952 - 16.739	187.65	165.30	157.90	154.35	150.55	147.50	143.15
16.5	.6496	.228	3/16	1/2	5 1/8	4	3512165	3	3514165	154.35	-	-	-	-	-	-	-	-
17.0	.6693	.228	3/16	1/2	5 1/8	4	3512170	3	3514170	141.70	16.740 - 17.551	175.05	152.80	145.35	141.70	138.00	134.90	130.50
17.5	.6890	.228	3/16	1/2	5 1/8	4	3512175	3	3514175	141.70	-	-	-	-	-	-	-	-
18.0	.7087	.290	1/4	1/2	5 3/8	4	3512180	3	3514180	157.70	17.552 - 18.339	191.05	168.75	161.30	157.70	153.90	150.85	146.40
18.5	.7283	.290	1/4	1/2	5 3/8	4	3512185	3	3514185	144.60	18.340 - 19.126	177.95	155.65	148.25	144.60	140.85	137.70	133.40
19.0	.7480	.290	1/4	1/2	5 3/8	4	3512190	3	3514190	144.60	-	-	-	-	-	-	-	-
19.5	.7677	.290	1/4	5/8	5 3/8	4	3512195	3	3514195	160.65	19.127 - 19.914	193.95	171.70	164.20	160.65	156.95	153.80	149.45
20.0	.7874	.290	1/4	5/8	5 3/8	4	3512200	3	3514200	147.35	19.915 - 20.726	180.70	158.40	150.90	147.35	143.50	140.45	136.10
20.5	.8071	.290	1/4	5/8	5 3/8	4	3512205	3	3514205	147.35	-	-	-	-	-	-	-	-
21.0	.8268	.290	1/4	3/4	5 3/8	4	3512210	3	3514210	169.30	20.727 - 21.514	202.65	180.40	172.95	169.30	165.45	162.40	158.05
21.5	.8465	.290	1/4	3/4	5 3/8	4	3512215	3	3514215	169.30	-	-	-	-	-	-	-	-
22.0	.8661	.290	1/4	3/4	5 3/8	4	3512220	3	3514220	155.30	21.515 - 22.301	188.60	166.35	158.85	155.30	151.50	148.45	144.10
22.5	.8858	.290	1/4	3/4	6 1/8	4	3512225	3	3514225	172.45	22.302 - 23.089	205.85	183.50	176.10	172.45	168.75	165.60	161.30
23.0	.9055	.290	1/4	3/4	6 1/8	4	3512230	3	3514230	172.45	-	-	-	-	-	-	-	-
23.5	.9252	.290	1/4	3/4	6 1/8	4	3512235	3	3514235	158.20	23.090 - 23.901	191.50	169.25	161.85	158.20	154.40	151.35	147.00
24.0	.9449	.353	5/16	3/4	6 3/8	4	3512240	3	3514240	177.05	23.902 - 24.689	210.35	188.10	180.60	177.05	173.25	170.20	165.75
24.5	.9646	.353	5/16	3/4	6 3/8	4	3512245	3	3514245	177.05	-	-	-	-	-	-	-	-
25.0	.9843	.353	5/16	3/4	6 3/8	4	3512250	3	3514250	162.30	24.690 - 25.476	195.65	173.35	165.90	162.30	158.55	155.50	151.15
25.5	1.0039	.353	5/16	3/4	6 3/8	4	3512255	3	3514255	163.85	25.477 - 27.076	197.20	174.90	167.55	163.85	160.10	157.10	152.70
26.0	1.0236	.353	5/16	3/4	6 3/8	4	3512260	3	3514260	163.85	-	-	-	-	-	-	-	-
27.0	1.0630	.353	5/16	3/4	6 3/8	4	3512270	3	3514270	163.85	-	-	-	-	-	-	-	-
28.0	1.1024	.353	5/16	1	6 3/8	4	3512280	3	3514280	167.70	27.077 - 28.651	201.00	178.65	171.20	167.70	163.85	160.80	156.40
29.0	1.1417	.353	5/16	1	6 3/8	4	3512290	3	3514290	174.50	28.652 - 30.239	207.75	185.50	178.00	174.50	170.75	167.70	163.30
30.0	1.1811	.353	5/16	1	6 3/8	4	3512300	3	3514300	174.50	-	-	-	-	-	-	-	-
31.0	1.2205	.426	3/8	1	6 5/8	-	-	4	3514310	193.80	30.240 - 31.826	230.00	205.85	197.75	193.80	189.80	186.40	181.70
32.0	1.2598	.426	3/8	1	6 5/8	-	-	4	3514320	207.90	31.827 - 33.414	244.20	219.95	211.90	207.90	203.90	200.65	195.80
33.0	1.2992	.426	3/8	1	6 5/8	-	-	4	3514330	207.90	-	-	-	-	-	-	-	-
34.0	1.3386	.426	3/8	1	6 5/8	-	-	4	3514340	217.85	33.415 - 35.001	254.05	229.85	221.70	217.85	213.75	210.45	205.70
35.0	1.3780	.426	3/8	1	6 5/8	-	-	4	3514350	217.85	-	-	-	-	-	-	-	-
36.0	1.4173	.426	3/8	1 1/4	7 7/8	-	-	4	3514360	238.65	35.002 - 36.589	277.95	251.75	242.85	238.65	234.20	230.60	225.50
37.0	1.4567	.426	3/8	1 1/4	7 7/8	-	-	4	3514370	263.95	36.590 - 38.176	303.25	277.00	268.25	263.95	259.55	255.90	250.70
38.0	1.4961	.426	3/8	1 1/4	7 7/8	-	-	4	3514380	263.95	-	-	-	-	-	-	-	-

Phone 941-739-2726 • Fax 941-739-2827 • www.lexingtoncutter.com • LEXINGTON CUTTER, INC.

Diameters up to 50mm - call us for pricing & availability.

Made in U.S.A.

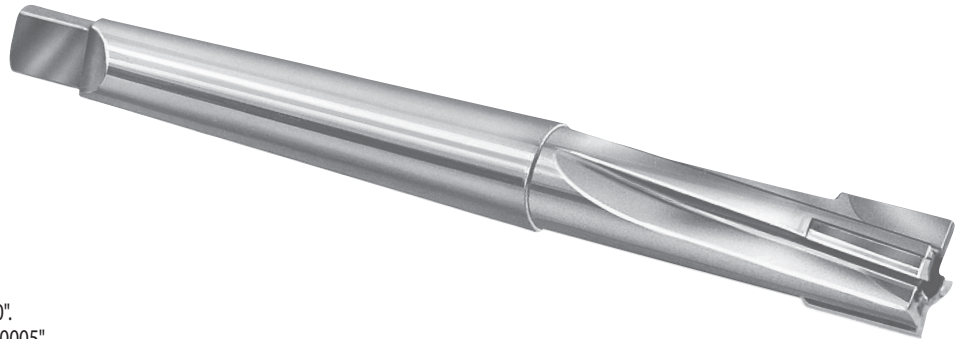
CARBIDE TIPPED COUNTERBORES FOR NON-FERROUS & CAST IRON

TYPE 3518 - TAPER SHANK - FOUR FLUTES

TYPE 3516 - TAPER SHANK - THREE/FOUR FLUTES

Carbide tips brazed to hardened alloy steel bodies. Right spiral smooth flutes. Interchangeable pilot type.

Tools are designed with appropriate carbide grade and tool geometry for machining non-ferrous, cast iron and non-metals.



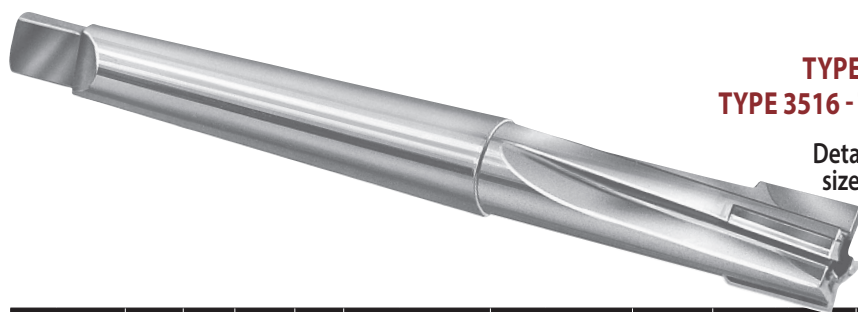
Tool diameter tolerance: +.001"/-.000".
Shank diameter tolerance: +.0000"/-.0005".

TOOL DIAMETER		MIN. CUT DIAM.	PILOT HOLE DIAM.	MORSE TAPER	OVER ALL LEN.	TYPE 3518		TYPE 3516		BOTH TYPES PRICE	DECIMAL SIZE RANGE	PRICE EACH - FINISHED TO DECIMAL SIZE					
DECIMAL	FRACTIONAL					NO. OF FLTS.	EDP NO.	NO. OF FLTS.	EDP NO.			1 PC.	2 PC.	3 PC.	4 PC.	5-7	8-14*
.2500	1/4	.114	3/32	1	3 13/16	-	-	3	351608	\$104.25	.2381 - .2530	\$154.55	\$129.45	\$121.05	\$116.90	\$112.65	\$109.20
.2812	9/32	.114	3/32	1	3 13/16	-	-	3	351609	125.45	.2531 - .2840	175.65	150.45	142.05	138.00	133.85	130.30
.3125	5/16	.114	3/32	1	3 13/16	-	-	3	351610	114.10	.2841 - .3150	164.30	139.15	130.80	126.65	122.45	118.95
.3438	11/32	.114	3/32	1	3 13/16	-	-	3	351611	140.50	.3151 - .3470	190.80	165.65	157.25	153.15	148.90	145.45
.3750	3/8	.182	5/32	1	4 1/16	-	-	3	351612	117.75	.3471 - .3780	164.00	140.90	133.15	129.35	125.50	122.35
.4062	13/32	.182	5/32	1	4 1/16	-	-	3	351613	133.00	.3781 - .4090	179.35	156.15	148.45	144.60	140.75	137.50
.4375	7/16	.182	5/32	1	4 1/16	-	-	3	351614	120.95	.4091 - .4410	167.15	144.05	136.30	132.60	128.65	125.50
.4688	15/32	.228	3/16	1	4 5/16	-	-	3	351615	146.85	.4411 - .4720	193.10	169.95	162.25	158.45	154.55	151.40
.5000	1/2	.228	3/16	1	4 5/16	4	351816	3	351616	133.50	.4721 - .5030	179.85	156.70	148.90	145.20	141.20	138.05
.5312	17/32	.228	3/16	1	4 5/16	4	351817	3	351617	149.55	.5031 - .5340	195.80	172.70	164.95	161.15	157.25	154.10
.5625	9/16	.228	3/16	1	4 5/16	4	351818	3	351618	136.00	.5341 - .5660	182.35	159.10	151.45	147.55	143.75	140.50
.5938	19/32	.228	3/16	2	5 1/8	4	351819	3	351619	153.60	.5661 - .5970	199.95	176.80	169.10	165.25	161.40	158.15
.6250	5/8	.228	3/16	2	5 1/8	4	351820	3	351620	139.60	.5971 - .6280	185.95	162.85	155.10	151.30	147.30	144.15
.6562	21/32	.228	3/16	2	5 1/8	4	351821	3	351621	162.15	.6281 - .6590	208.50	185.35	177.55	173.85	169.85	166.70
.6875	11/16	.228	3/16	2	5 1/8	4	351822	3	351622	147.30	.6591 - .6910	193.75	170.50	162.85	158.95	155.10	151.85
.7188	23/32	.290	1/4	2	5 3/8	4	351823	3	351623	164.85	.6911 - .7220	211.20	188.05	180.35	176.55	172.65	169.50
.7500	3/4	.290	1/4	2	5 3/8	4	351824	3	351624	149.85	.7221 - .7530	196.10	172.95	165.25	161.45	157.45	154.30
.7812	25/32	.290	1/4	2	5 3/8	4	351825	3	351625	167.65	.7531 - .7840	213.90	190.80	183.05	179.20	175.35	172.15
.8125	13/16	.290	1/4	2	5 3/8	4	351826	3	351626	152.45	.7841 - .8160	198.75	175.65	167.95	164.00	160.15	157.00
.8438	27/32	.290	1/4	2	5 3/8	4	351827	3	351627	176.25	.8161 - .8470	222.70	199.50	191.80	187.95	184.10	180.85
.8750	7/8	.290	1/4	2	5 3/8	4	351828	3	351628	160.25	.8471 - .8780	206.60	183.35	175.70	171.85	168.00	164.80
.9062	29/32	.290	1/4	3	6 1/4	4	351829	3	351629	181.10	.8781 - .9090	227.40	204.20	196.60	192.65	188.80	185.65
.9375	15/16	.290	1/4	3	6 1/4	4	351830	3	351630	164.65	.9091 - .9410	210.90	187.75	180.05	176.20	172.40	169.15
.9688	31/32	.353	5/16	3	6 3/8	4	351831	3	351631	185.25	.9411 - .9720	231.55	208.45	200.75	196.90	192.90	189.75
1.0000	1	.353	5/16	3	6 3/8	4	351832	3	351632	174.80	.9721 - 1.0030	222.90	198.90	190.80	186.90	182.70	179.50
1.0625	1 1/16	.353	5/16	3	6 3/8	4	351834	3	351634	177.10	1.0031 - 1.0660	225.05	201.05	193.05	189.10	185.05	181.70
1.1250	1 1/8	.353	5/16	3	6 3/8	4	351836	3	351636	182.65	1.0661 - 1.1280	230.75	206.80	198.65	194.75	190.65	187.40
1.1875	1 3/16	.353	5/16	3	6 3/8	4	351838	3	351638	188.90	1.1281 - 1.1905	237.10	213.00	204.90	200.95	196.90	193.65
1.2500	1 1/4	.426	3/8	3	6 5/8	-	-	4	351640	210.00	1.1906 - 1.2530	262.10	236.00	227.40	223.05	218.70	215.05
1.3125	1 5/16	.426	3/8	3	6 5/8	-	-	4	351642	225.05	1.2531 - 1.3155	277.35	251.10	242.55	238.15	233.85	230.25
1.3750	1 3/8	.426	3/8	3	6 5/8	-	-	4	351644	235.85	1.3156 - 1.3780	288.00	261.95	253.25	248.95	244.55	240.95
1.4375	1 7/16	.426	3/8	4	7 7/8	-	-	4	351646	262.35	1.3781 - 1.4405	319.10	290.75	281.20	276.60	271.80	267.90
1.5000	1 1/2	.426	3/8	4	7 7/8	-	-	4	351648	290.90	1.4406 - 1.5030	347.65	319.25	309.85	305.15	300.45	296.45
1.5625	1 9/16	.489	7/16	4	8 1/8	-	-	4	351650	312.55	1.5031 - 1.5660	371.90	342.25	332.50	327.50	322.50	318.45
1.6250	1 5/8	.489	7/16	4	8 1/8	-	-	4	351652	318.15	1.5661 - 1.6280	377.55	347.90	338.05	333.00	328.00	324.10
1.6875	1 11/16	.489	7/16	4	8 1/8	-	-	4	351654	380.70	1.6281 - 1.6910	444.85	412.80	402.15	396.85	391.40	387.00
1.7500	1 3/4	.489	7/16	4	8 1/8	-	-	4	351656	380.70	1.6911 - 1.7530	444.85	412.80	402.15	396.85	391.40	387.00
1.8125	1 13/16	.489	7/16	4	8 1/8	-	-	4	351658	450.60	1.7531 - 1.8160	514.65	482.65	471.95	466.60	461.25	456.75
1.8750	1 7/8	.489	7/16	4	8 1/8	-	-	4	351660	450.60	1.8161 - 1.8780	514.65	482.65	471.95	466.60	461.25	456.75
1.9375	1 15/16	.489	7/16	4	8 1/8	-	-	4	351662	492.25	1.8781 - 1.9410	556.40	524.35	513.60	508.45	503.05	498.60
2.0000	2	.551	1/2	4	8 3/8	-	-	4	351664	492.25	1.9411 - 2.0030	556.40	524.35	513.60	508.45	503.05	498.60

LEXINGTON CUTTER, INC. • sales@lexingtoncutter.com • Phone 800-882-2627 • Fax 800-882-3637

CARBIDE TIPPED COUNTERBORES FOR NON-FERROUS & CAST IRON

METRIC



TYPE 3518 - TAPER SHANK - FOUR FLUTES
TYPE 3516 - TAPER SHANK - THREE/FOUR FLUTES

Detailed description, tolerances, and fractional sizes on page 36. Tool diameter in millimeters with all other dimensions in inches.

TOOL DIAM.		MIN. CUT DIAM.	PILOT HOLE DIAM.	MORSE TAPER	OVER ALL LEN.	TYPE 3518		TYPE 3516		BOTH TYPES PRICE	METRIC SIZE RANGE	PRICE EACH - FINISHED TO METRIC SIZE						
mm	INCH					NO. OF FLTS.	EDP NO.	NO. OF FLTS.	EDP NO.			NO. OF FLTS.	EDP NO.	1 PC.	2 PC.	3 PC.	4 PC.	5-7
6.0	.2362	.114	3/32	1	3 13/16	-	-	3	3516060	\$121.05	6.000 - 6.426	\$158.55	\$133.35	\$125.05	\$121.05	\$116.80	\$113.25	\$108.40
6.5	.2559	.114	3/32	1	3 13/16	-	-	3	3516065	142.05	6.427 - 7.214	179.65	154.55	146.05	142.05	137.90	134.45	129.50
7.0	.2756	.114	3/32	1	3 13/16	-	-	3	3516070	142.05	-	-	-	-	-	-	-	-
7.5	.2953	.114	3/32	1	3 13/16	-	-	3	3516075	130.80	7.215 - 8.001	168.30	143.20	134.75	130.80	126.60	123.05	118.20
8.0	.3150	.114	3/32	1	3 13/16	-	-	3	3516080	130.80	-	-	-	-	-	-	-	-
8.5	.3346	.114	3/32	1	3 13/16	-	-	3	3516085	157.25	8.002 - 8.814	194.80	169.70	161.40	157.25	153.10	149.70	144.60
9.0	.3543	.182	5/32	1	4 1/16	-	-	3	3516090	133.15	8.815 - 9.601	167.80	144.60	136.90	133.15	129.20	126.05	121.50
9.5	.3740	.182	5/32	1	4 1/16	-	-	3	3516095	133.15	-	-	-	-	-	-	-	-
10.0	.3937	.182	5/32	1	4 1/16	-	-	3	3516100	148.45	9.602 - 10.389	183.05	159.95	152.25	148.45	144.45	141.30	136.85
10.5	.4134	.182	5/32	1	4 1/16	-	-	3	3516105	136.30	10.390 - 11.201	171.00	147.75	140.15	136.30	132.45	129.20	124.65
11.0	.4331	.182	5/32	1	4 1/16	-	-	3	3516110	136.30	-	-	-	-	-	-	-	-
11.5	.4528	.228	3/16	1	4 3/16	-	-	3	3516115	162.25	11.202 - 11.989	196.90	173.70	166.00	162.25	158.40	155.15	150.55
12.0	.4724	.228	3/16	1	4 3/16	4	3518120	3	3516120	148.90	11.990 - 12.776	183.65	160.40	152.70	148.90	145.15	141.90	137.35
12.5	.4921	.228	3/16	1	4 3/16	4	3518125	3	3516125	148.90	-	-	-	-	-	-	-	-
13.0	.5118	.228	3/16	1	4 3/16	4	3518130	3	3516130	164.95	12.777 - 13.564	199.60	176.50	168.65	164.95	161.10	157.95	153.30
13.5	.5315	.228	3/16	1	4 3/16	4	3518135	3	3516135	164.95	-	-	-	-	-	-	-	-
14.0	.5512	.228	3/16	1	4 3/16	4	3518140	3	3516140	151.45	13.565 - 14.376	186.05	162.95	155.15	151.45	147.45	144.30	139.75
14.5	.5709	.228	3/16	2	5 1/8	4	3518145	3	3516145	169.10	14.377 - 15.164	203.75	180.50	172.80	169.10	165.15	161.95	157.40
15.0	.5906	.228	3/16	2	5 1/8	4	3518150	3	3516150	169.10	-	-	-	-	-	-	-	-
15.5	.6102	.228	3/16	2	5 1/8	4	3518155	3	3516155	155.10	15.165 - 15.951	189.65	166.55	158.75	155.10	151.25	148.05	143.45
16.0	.6299	.228	3/16	2	5 1/8	4	3518160	3	3516160	177.55	15.952 - 16.739	212.20	189.05	181.35	177.55	173.70	170.50	166.00
16.5	.6496	.228	3/16	2	5 1/8	4	3518165	3	3516165	177.55	-	-	-	-	-	-	-	-
17.0	.6693	.228	3/16	2	5 1/8	4	3518170	3	3516170	162.85	16.740 - 17.551	197.35	174.25	166.55	162.85	158.85	155.70	151.25
17.5	.6890	.228	3/16	2	5 1/8	4	3518175	3	3516175	162.85	-	-	-	-	-	-	-	-
18.0	.7087	.290	1/4	2	5 3/8	4	3518180	3	3516180	180.35	17.552 - 18.339	214.90	191.80	184.10	180.35	176.50	173.15	168.65
18.5	.7283	.290	1/4	2	5 3/8	4	3518185	3	3516185	165.25	18.340 - 19.126	199.90	176.70	168.95	165.25	161.40	158.15	153.60
19.0	.7480	.290	1/4	2	5 3/8	4	3518190	3	3516190	165.25	-	-	-	-	-	-	-	-
19.5	.7677	.290	1/4	2	5 3/8	4	3518195	3	3516195	183.05	19.127 - 19.914	217.70	194.40	186.80	183.05	179.10	175.95	171.40
20.0	.7874	.290	1/4	2	5 3/8	4	3518200	3	3516200	167.95	19.915 - 20.726	202.50	179.35	171.55	167.95	163.95	160.80	156.25
20.5	.8071	.290	1/4	2	5 3/8	4	3518205	3	3516205	167.95	-	-	-	-	-	-	-	-
21.0	.8268	.290	1/4	2	5 3/8	4	3518210	3	3516210	191.80	20.727 - 21.514	226.45	203.20	195.50	191.80	187.90	184.65	180.10
21.5	.8465	.290	1/4	2	5 3/8	4	3518215	3	3516215	191.80	-	-	-	-	-	-	-	-
22.0	.8661	.290	1/4	2	5 3/8	4	3518220	3	3516220	175.70	21.515 - 22.301	210.30	187.20	179.50	175.70	171.70	168.55	164.00
22.5	.8858	.290	1/4	3	6 1/8	4	3518225	3	3516225	196.60	22.302 - 23.089	231.15	208.00	200.20	196.60	192.60	189.40	184.80
23.0	.9055	.290	1/4	3	6 1/8	4	3518230	3	3516230	196.60	-	-	-	-	-	-	-	-
23.5	.9252	.290	1/4	3	6 1/8	4	3518235	3	3516235	180.05	23.090 - 23.901	214.70	191.40	183.80	180.05	176.10	172.95	168.40
24.0	.9449	.353	5/16	3	6 3/8	4	3518240	3	3516240	200.75	23.902 - 24.689	235.30	212.15	204.35	200.75	196.80	193.65	189.05
24.5	.9646	.353	5/16	3	6 3/8	4	3518245	3	3516245	200.75	-	-	-	-	-	-	-	-
25.0	.9843	.353	5/16	3	6 3/8	4	3518250	3	3516250	183.90	24.690 - 25.476	218.45	195.35	187.55	183.90	179.95	176.80	172.35
25.5	1.0039	.353	5/16	3	6 3/8	4	3518255	3	3516255	193.05	25.477 - 27.076	229.00	204.90	196.90	193.05	189.05	185.70	180.95
26.0	1.0236	.353	5/16	3	6 3/8	4	3518260	3	3516260	193.05	-	-	-	-	-	-	-	-
27.0	1.0630	.353	5/16	3	6 3/8	4	3518270	3	3516270	193.05	-	-	-	-	-	-	-	-
28.0	1.1024	.353	5/16	3	6 3/8	4	3518280	3	3516280	198.65	27.077 - 28.651	234.60	210.60	202.60	198.65	194.65	191.35	186.65
29.0	1.1417	.353	5/16	3	6 3/8	4	3518290	3	3516290	204.90	28.652 - 30.239	240.85	216.85	208.80	204.90	200.90	197.60	192.90
30.0	1.1811	.353	5/16	3	6 3/8	4	3518300	3	3516300	204.90	-	-	-	-	-	-	-	-
31.0	1.2205	.426	3/8	3	6 5/8	-	-	4	3516310	227.40	30.240 - 31.826	266.35	240.25	231.55	227.40	223.00	219.45	214.20
32.0	1.2598	.426	3/8	3	6 5/8	-	-	4	3516320	242.55	31.827 - 33.414	281.50	255.40	246.70	242.55	238.10	234.55	229.40
33.0	1.2992	.426	3/8	3	6 5/8	-	-	4	3516330	242.55	-	-	-	-	-	-	-	-
34.0	1.3386	.426	3/8	3	6 5/8	-	-	4	3516340	253.25	33.415 - 35.001	292.30	266.10	257.40	253.25	248.85	245.30	240.10
35.0	1.3780	.426	3/8	3	6 5/8	-	-	4	3516350	253.25	-	-	-	-	-	-	-	-
36.0	1.4173	.426	3/8	4	7 7/8	-	-	4	3516360	281.20	35.002 - 36.589	323.65	295.30	285.80	281.20	276.50	272.65	266.95
37.0	1.4567	.426	3/8	4	7 7/8	-	-	4	3516370	309.85	36.590 - 38.176	352.20	323.80	314.30	309.85	305.05	301.15	295.60
38.0	1.4961	.426	3/8	4	7 7/8	-	-	4	3516380	309.85	-	-	-	-	-	-	-	-

Phone 941-739-2726 • Fax 941-739-2827 • www.lexingtoncutter.com • LEXINGTON CUTTER, INC.

Diameters up to 50mm - call us for pricing & availability.

Made in U.S.A.

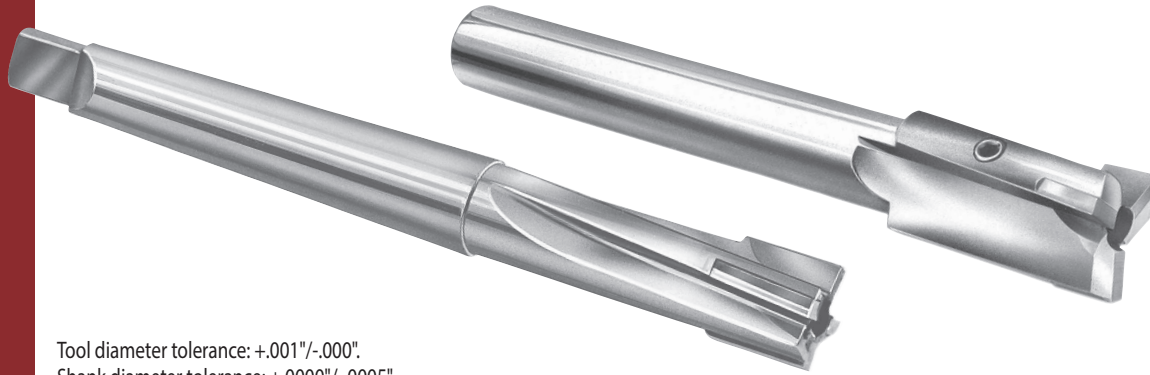
CARBIDE TIPPED COUNTERBORES FOR STEEL

TYPE 3510 - STRAIGHT SHANK - THREE/FOUR FLUTES

TYPE 3511 - TAPER SHANK - THREE/FOUR FLUTES

Carbide tips brazed to hardened alloy steel bodies. Right spiral smooth flutes. Interchangeable pilot type.

Tools are designed with appropriate carbide grade and tool geometry for machining steel and steel alloys.



Tool diameter tolerance: +.001"/-.000".

Shank diameter tolerance: +.0000"/-.0005".

TOOL DIAMETER		MIN. CUT DIAM.	PILOT HOLE DIAM.	NO. OF FLUTES	OVER ALL LEN.	STRAIGHT SHANK TYPE 3510		TAPER SHANK TYPE 3511		BOTH TYPES PRICE	DECIMAL SIZE RANGE	PRICE EACH - FINISHED TO DECIMAL SIZE					
DECIMAL	FRACTION					SHANK DIAM.	EDP NO.	MORSE TAPER	EDP NO.			1 PC.	2 PC.	3 PC.	4 PC.	5-7	8-14*
.2500	1/4	.114	3/32	3	3 13/16	15/64	351008	1	351108	\$104.25	.2381 - .2530	\$154.55	\$129.45	\$121.05	\$116.90	\$112.65	\$109.20
.2812	9/32	.114	3/32	3	3 13/16	17/64	351009	1	351109	125.45	.2531 - .2840	175.65	150.45	142.05	138.00	133.85	130.30
.3125	5/16	.114	3/32	3	3 13/16	19/64	351010	1	351110	114.10	.2841 - .3150	164.30	139.15	130.80	126.65	122.45	118.95
.3438	11/32	.114	3/32	3	3 13/16	5/16	351011	1	351111	140.50	.3151 - .3470	190.80	165.65	157.25	153.15	148.90	145.45
.3750	3/8	.182	5/32	3	4 1/16	5/16	351012	1	351112	117.75	.3471 - .3780	164.00	140.90	133.15	129.35	125.50	122.35
.4062	13/32	.182	5/32	3	4 1/16	3/8	351013	1	351113	133.00	.3781 - .4090	179.35	156.15	148.45	144.60	140.75	137.50
.4375	7/16	.182	5/32	3	4 1/16	3/8	351014	1	351114	120.95	.4091 - .4410	167.15	144.05	136.30	132.60	128.65	125.50
.4688	15/32	.228	3/16	3	4 5/16	7/16	351015	1	351115	146.85	.4411 - .4720	193.10	169.95	162.25	158.45	154.55	151.40
.5000	1/2	.228	3/16	3	4 5/16	7/16	351016	1	351116	133.50	.4721 - .5030	179.85	156.70	148.90	145.20	141.20	138.05
.5312	17/32	.228	3/16	3	4 5/16	1/2	351017	1	351117	144.10	.5031 - .5340	188.70	166.45	158.95	155.30	151.50	148.45
.5625	9/16	.228	3/16	3	4 5/16	1/2	351018	1	351118	131.05	.5341 - .5660	175.70	153.30	145.95	142.15	138.55	135.40
.5938	19/32	.228	3/16	3	5 1/8	1/2	351019	2	351119	148.05	.5661 - .5970	192.70	170.35	162.95	159.25	155.50	152.40
.6250	5/8	.228	3/16	3	5 1/8	1/2	351020	2	351120	134.50	.5971 - .6280	179.20	156.95	149.45	145.80	141.95	138.90
.6562	21/32	.228	3/16	3	5 1/8	1/2	351021	2	351121	156.25	.6281 - .6590	200.95	178.60	171.10	167.55	163.70	160.65
.6875	11/16	.228	3/16	3	5 1/8	1/2	351022	2	351122	141.95	.6591 - .6910	186.70	164.30	156.95	153.15	149.45	146.30
.7188	23/32	.290	1/4	3	5 3/8	1/2	351023	2	351123	158.85	.6911 - .7220	203.55	181.20	173.80	170.15	166.35	163.30
.7500	3/4	.290	1/4	3	5 3/8	1/2	351024	2	351124	144.40	.7221 - .7530	189.00	166.65	159.25	155.60	151.75	148.70
.7812	25/32	.290	1/4	3	5 3/8	5/8	351025	2	351125	161.55	.7531 - .7840	206.15	183.85	176.35	172.65	168.95	165.90
.8125	13/16	.290	1/4	3	5 3/8	5/8	351026	2	351126	146.90	.7841 - .8160	191.50	169.25	161.85	158.05	154.35	151.30
.8438	27/32	.290	1/4	3	5 3/8	3/4	351027	2	351127	169.85	.8161 - .8470	214.60	192.25	184.85	181.10	177.40	174.30
.8750	7/8	.290	1/4	3	5 3/8	3/4	351028	2	351128	154.40	.8471 - .8780	199.10	176.65	169.30	165.60	161.90	158.80
.9062	29/32	.290	1/4	3	6 1/8	3/4	351029	3	351129	174.50	.8781 - .9090	219.10	196.80	189.45	185.65	181.95	178.90
.9375	15/16	.290	1/4	3	6 1/8	3/4	351030	3	351130	158.65	.9091 - .9410	203.25	180.90	173.50	169.75	166.15	163.00
.9688	31/32	.353	5/16	3	6 3/8	3/4	351031	3	351131	178.55	.9411 - .9720	223.10	200.85	193.45	189.75	185.85	182.85
1.0000	1	.353	5/16	3	6 3/8	3/4	351032	3	351132	168.45	.9721 - 1.0030	214.80	191.65	183.85	180.10	176.10	172.95
1.0625	1 1/16	.353	5/16	3	6 3/8	3/4	351034	3	351134	170.65	1.0031 - 1.0660	216.90	193.75	186.00	182.25	178.30	175.10
1.1250	1 1/8	.353	5/16	3	6 3/8	1	351036	3	351136	176.00	1.0661 - 1.1280	222.40	199.30	191.45	187.65	183.70	180.60
1.1875	1 3/16	.353	5/16	3	6 3/8	1	351038	3	351138	182.00	1.1281 - 1.1905	228.45	205.25	197.45	193.65	189.75	186.60
1.2500	1 1/4	.426	3/8	4	6 5/8	1	351040	3	351140	202.35	1.1906 - 1.2530	252.60	227.40	219.10	214.95	210.75	207.25
1.3125	1 5/16	.426	3/8	4	6 5/8	1	351042	3	351142	216.90	1.2531 - 1.3155	267.25	241.95	233.75	229.50	225.35	221.85
1.3750	1 3/8	.426	3/8	4	6 5/8	1	351044	3	351144	227.25	1.3156 - 1.3780	277.50	252.45	244.05	239.90	235.65	232.15
1.4375	1 7/16	.426	3/8	4	7 7/8	1 1/4	351046	4	351146	252.80	1.3781 - 1.4405	307.50	280.20	271.00	266.55	261.95	258.15
1.5000	1 1/2	.426	3/8	4	7 7/8	1 1/4	351048	4	351148	290.90	1.4406 - 1.5030	347.65	319.25	309.85	305.15	300.45	296.45
1.5625	1 9/16	.489	7/16	4	8 1/8	1 1/4	351050	4	351150	312.55	1.5031 - 1.5660	371.90	342.25	332.50	327.50	322.50	318.45
1.6250	1 5/8	.489	7/16	4	8 1/8	1 1/4	351052	4	351152	318.15	1.5661 - 1.6280	377.55	347.90	338.05	333.00	328.00	324.10
1.6875	1 11/16	.489	7/16	4	8 1/8	1 1/4	351054	4	351154	380.70	1.6281 - 1.6910	444.85	412.80	402.15	396.85	391.40	387.00
1.7500	1 3/4	.489	7/16	4	8 1/8	1 1/4	351056	4	351156	380.70	1.6911 - 1.7530	444.85	412.80	402.15	396.85	391.40	387.00
1.8125	1 13/16	.489	7/16	4	8 1/8	1 1/2	351058	4	351158	450.60	1.7531 - 1.8160	514.65	482.65	471.95	466.60	461.25	456.75
1.8750	1 7/8	.489	7/16	4	8 1/8	1 1/2	351060	4	351160	450.60	1.8161 - 1.8780	514.65	482.65	471.95	466.60	461.25	456.75
1.9375	1 15/16	.489	7/16	4	8 1/8	1 1/2	351062	4	351162	492.25	1.8781 - 1.9410	556.40	524.35	513.60	508.45	503.05	498.60
2.0000	2	.551	1/2	4	8 3/8	1 1/2	351064	4	351164	492.25	1.9411 - 2.0030	556.40	524.35	513.60	508.45	503.05	498.60

LEXINGTON CUTTER, INC. • sales@lexingtoncutter.com • Phone 800-882-2627 • Fax 800-882-3637

CARBIDE TIPPED COUNTERBORES FOR STEEL

METRIC



TYPE 3510 - STRAIGHT SHANK - THREE/FOUR FLUTES
TYPE 3511 - TAPER SHANK - THREE/FOUR FLUTES

Detailed description, tolerances, and fractional sizes on page 38. Tool diameter in millimeters with all other dimensions in inches.

TOOL DIAM.		MIN. CUT DIAM.	PILOT HOLE DIAM.	NO. OF FLTS.	OVER ALL LEN.	STRAIGHT SHANK TYPE 3510		TAPER SHANK TYPE 3511		BOTH TYPES PRICE	METRIC SIZE RANGE	PRICE EACH - FINISHED TO METRIC SIZE						
mm	INCH					SHANK DIAM.	EDP NO.	MORSE TAPER	EDP NO.			METRIC SIZE RANGE	1 PC.	2 PC.	3 PC.	4 PC.	5-7	8-14
6.0	.2362	.114	3/32	3	3 13/16	15/64	3510060	1	3511060	\$121.05	6.000 - 6.426	\$158.55	\$133.35	\$125.05	\$121.05	\$116.80	\$113.25	\$108.40
6.5	.2559	.114	3/32	3	3 13/16	17/64	3510065	1	3511065	142.05	6.427 - 7.214	179.65	154.55	146.05	142.05	137.90	134.45	129.50
7.0	.2756	.114	3/32	3	3 13/16	17/64	3510070	1	3511070	142.05	-	-	-	-	-	-	-	-
7.5	.2953	.114	3/32	3	3 13/16	19/64	3510075	1	3511075	130.80	7.215 - 8.001	168.30	143.20	134.75	130.80	126.60	123.05	118.20
8.0	.3150	.114	3/32	3	3 13/16	19/64	3510080	1	3511080	130.80	-	-	-	-	-	-	-	-
8.5	.3346	.114	3/32	3	3 13/16	5/16	3510085	1	3511085	157.25	8.002 - 8.814	194.80	169.70	161.40	157.25	153.10	149.70	144.60
9.0	.3543	.182	5/32	3	4 1/16	5/16	3510090	1	3511090	133.15	8.815 - 9.601	167.80	144.60	136.90	133.15	129.20	126.05	121.50
9.5	.3740	.182	5/32	3	4 1/16	5/16	3510095	1	3511095	133.15	-	-	-	-	-	-	-	-
10.0	.3937	.182	5/32	3	4 1/16	3/8	3510100	1	3511100	148.45	9.602 - 10.389	183.05	159.95	152.25	148.45	144.45	141.30	136.85
10.5	.4134	.182	5/32	3	4 1/16	3/8	3510105	1	3511105	136.30	10.390 - 11.201	171.00	147.75	140.15	136.30	132.45	129.20	124.65
11.0	.4331	.182	5/32	3	4 1/16	3/8	3510110	1	3511110	136.30	-	-	-	-	-	-	-	-
11.5	.4528	.228	3/16	3	4 3/16	7/16	3510115	1	3511115	162.25	11.202 - 11.989	196.90	173.70	166.00	162.25	158.40	155.15	150.55
12.0	.4724	.228	3/16	3	4 3/16	7/16	3510120	1	3511120	148.90	11.990 - 12.776	183.65	160.40	152.70	148.90	145.15	141.90	137.35
12.5	.4921	.228	3/16	3	4 3/16	7/16	3510125	1	3511125	148.90	-	-	-	-	-	-	-	-
13.0	.5118	.228	3/16	3	4 3/16	1/2	3510130	1	3511130	158.95	12.777 - 13.564	192.35	170.05	162.50	158.95	155.25	152.20	147.75
13.5	.5315	.228	3/16	3	4 3/16	1/2	3510135	1	3511135	158.95	-	-	-	-	-	-	-	-
14.0	.5512	.228	3/16	3	4 3/16	1/2	3510140	1	3511140	145.95	13.565 - 14.376	179.25	157.00	149.50	145.95	142.10	139.05	134.65
14.5	.5709	.228	3/16	3	5 1/8	1/2	3510145	2	3511145	162.95	14.377 - 15.164	196.35	173.90	166.50	162.95	159.15	156.05	151.65
15.0	.5906	.228	3/16	3	5 1/8	1/2	3510150	2	3511150	162.95	-	-	-	-	-	-	-	-
15.5	.6102	.228	3/16	3	5 1/8	1/2	3510155	2	3511155	149.45	15.165 - 15.951	182.75	160.50	153.00	149.45	145.75	142.70	138.25
16.0	.6299	.228	3/16	3	5 1/8	1/2	3510160	2	3511160	149.45	15.952 - 16.739	182.75	160.50	153.00	149.45	145.75	142.70	138.25
16.5	.6496	.228	3/16	3	5 1/8	1/2	3510165	2	3511165	171.10	-	-	-	-	-	-	-	-
17.0	.6693	.228	3/16	3	5 1/8	1/2	3510170	2	3511170	156.95	16.740 - 17.551	190.15	167.90	160.50	156.95	153.05	150.05	145.75
17.5	.6890	.228	3/16	3	5 1/8	1/2	3510175	2	3511175	156.95	-	-	-	-	-	-	-	-
18.0	.7087	.290	1/4	3	5 3/8	1/2	3510180	2	3511180	173.80	17.552 - 18.339	207.10	184.85	177.40	173.80	170.05	166.90	162.50
18.5	.7283	.290	1/4	3	5 3/8	1/2	3510185	2	3511185	159.25	18.340 - 19.126	192.60	170.30	162.80	159.25	155.50	152.40	148.05
19.0	.7480	.290	1/4	3	5 3/8	1/2	3510190	2	3511190	159.25	-	-	-	-	-	-	-	-
19.5	.7677	.290	1/4	3	5 3/8	5/8	3510195	2	3511195	176.35	19.127 - 19.914	209.75	187.35	180.00	176.35	172.60	169.55	165.15
20.0	.7874	.290	1/4	3	5 3/8	5/8	3510200	2	3511200	161.85	19.915 - 20.726	195.15	172.80	165.30	161.85	157.95	154.95	150.55
20.5	.8071	.290	1/4	3	5 3/8	5/8	3510205	2	3511205	161.85	-	-	-	-	-	-	-	-
21.0	.8268	.290	1/4	3	5 3/8	3/4	3510210	2	3511210	184.85	20.727 - 21.514	218.20	195.80	188.40	184.85	181.05	177.95	173.55
21.5	.8465	.290	1/4	3	5 3/8	3/4	3510215	2	3511215	184.85	-	-	-	-	-	-	-	-
22.0	.8661	.290	1/4	3	5 3/8	3/4	3510220	2	3511220	169.30	21.515 - 22.301	202.65	180.40	172.95	169.30	165.45	162.40	158.05
22.5	.8858	.290	1/4	3	6 1/8	3/4	3510225	3	3511225	189.45	22.302 - 23.089	222.75	200.40	192.90	189.45	185.55	182.55	178.10
23.0	.9055	.290	1/4	3	6 1/8	3/4	3510230	3	3511230	189.45	-	-	-	-	-	-	-	-
23.5	.9252	.290	1/4	3	6 1/8	3/4	3510235	3	3511235	173.50	23.090 - 23.901	206.85	184.45	177.10	173.50	169.70	166.65	162.30
24.0	.9449	.353	5/16	3	6 3/8	3/4	3510240	3	3511240	193.45	23.902 - 24.689	226.75	204.40	196.95	193.45	189.65	186.60	182.15
24.5	.9646	.353	5/16	3	6 3/8	3/4	3510245	3	3511245	193.45	-	-	-	-	-	-	-	-
25.0	.9843	.353	5/16	3	6 3/8	3/4	3510250	3	3511250	177.20	24.690 - 25.476	210.50	188.25	180.75	177.20	173.40	170.35	166.05
25.5	1.0039	.353	5/16	3	6 3/8	3/4	3510255	3	3511255	186.00	25.477 - 27.076	220.65	197.45	189.75	186.00	182.15	178.95	174.35
26.0	1.0236	.353	5/16	3	6 3/8	3/4	3510260	3	3511260	186.00	-	-	-	-	-	-	-	-
27.0	1.0630	.353	5/16	3	6 3/8	3/4	3510270	3	3511270	186.00	-	-	-	-	-	-	-	-
28.0	1.1024	.353	5/16	3	6 3/8	1	3510280	3	3511280	191.45	27.077 - 28.651	226.10	202.95	195.20	191.45	187.60	184.40	179.85
29.0	1.1417	.353	5/16	3	6 3/8	1	3510290	3	3511290	197.45	28.652 - 30.239	232.10	208.95	201.25	197.45	193.60	190.40	185.85
30.0	1.1811	.353	5/16	3	6 3/8	1	3510300	3	3511300	197.45	-	-	-	-	-	-	-	-
31.0	1.2205	.426	3/8	4	6 5/8	1	3510310	3	3511310	219.10	30.240 - 31.826	256.65	231.50	223.10	219.10	214.90	211.45	206.40
32.0	1.2598	.426	3/8	4	6 5/8	1	3510320	3	3511320	233.75	31.827 - 33.414	271.30	246.10	237.75	233.75	229.45	226.00	221.05
33.0	1.2992	.426	3/8	4	6 5/8	1	3510330	3	3511330	233.75	-	-	-	-	-	-	-	-
34.0	1.3386	.426	3/8	4	6 5/8	1	3510340	3	3511340	244.05	33.415 - 35.001	281.65	256.45	248.05	244.05	239.80	236.40	231.35
35.0	1.3780	.426	3/8	4	6 5/8	1	3510350	3	3511350	244.05	-	-	-	-	-	-	-	-
36.0	1.4173	.426	3/8	4	7 7/8	1 1/4	3510360	4	3511360	271.00	35.002 - 36.589	311.85	284.55	275.45	271.00	266.45	262.75	257.25
37.0	1.4567	.426	3/8	4	7 7/8	1 1/4	3510370	4	3511370	298.60	36.590 - 38.176	339.40	312.00	302.90	298.60	294.00	290.20	284.85
38.0	1.4961	.426	3/8	4	7 7/8	1 1/4	3510380	4	3511380	298.60	-	-	-	-	-	-	-	-

Phone 941-739-2726 • Fax 941-739-2827 • www.lexingtoncutter.com • LEXINGTON CUTTER, INC.

Diameters up to 50mm - call us for price & availability.

Made in U.S.A.

CARBIDE TIPPED AIRCRAFT/REDUCED SHANK COUNTERBORES

TYPE 3522 - STRAIGHT SHANK - THREE FLUTES

Carbide tips brazed to alloy steel bodies. Polished flutes.

For counterboring and spotfacing composites, non-metals, and non-ferrous materials used in airframe manufacturing.



Tool diameter tolerance: +.001"/-.000".
Shank diameter tolerance: +.0000"/-.001".
Corner radius: 1/64".

TOOL DIAMETER		MIN. CUT DIAM.	PILOT HOLE DIAM.	NO. OF FLUTES	SMALL SHANK DIAM.	OVER ALL LENGTH	EDP NO.	PRICE EACH	DECIMAL SIZE RANGE	PRICE EACH - FINISHED TO DECIMAL SIZE					
DECIMAL	FRACTION									1 PC.	2 PC.	3 PC.	4 PC.	5-7	8-14*
.2500	1/4	.125	3/32	3	1/4	2 3/8	352208	\$69.30	.2381 - .2530	\$117.85	\$93.65	\$85.50	\$81.60	\$77.45	\$74.05
.2812	9/32	.125	3/32	3	1/4	2 3/8	352209	69.40	.2531 - .2840	117.90	93.70	85.65	81.70	77.55	74.20
.3125	5/16	.125	3/32	3	1/4	2 3/8	352210	71.15	.2841 - .3150	119.75	95.40	87.25	83.35	79.25	76.00
.3438	11/32	.125	3/32	3	1/4	2 3/8	352211	72.55	.3151 - .3470	121.15	96.85	88.75	84.75	80.75	77.40
.3750	3/8	.125	3/32	3	1/4	2 3/8	352212	72.80	.3471 - .3780	121.30	97.05	89.05	84.95	80.90	77.55
.4062	13/32	.156	1/8	3	1/4	2 3/4	352213	82.80	.3781 - .4090	131.20	107.05	98.90	95.00	90.80	87.55
.4375	7/16	.156	1/8	3	1/4	2 3/4	352214	89.25	.4091 - .4410	137.80	113.45	105.45	101.35	97.35	94.00
.4688	15/32	.156	1/8	3	1/4	2 3/4	352215	90.75	.4411 - .4720	139.25	115.00	106.90	103.00	98.85	95.50
.5000	1/2	.156	1/8	3	1/4	2 3/4	352216	91.85	.4721 - .5030	140.40	116.10	108.05	103.95	99.85	96.55
.5312	17/32	.156	1/8	3	1/4	2 3/4	352217	92.30	.5031 - .5340	140.75	116.50	108.50	104.45	100.30	97.05
.5625	9/16	.156	1/8	3	1/4	2 3/4	352218	92.70	.5341 - .5660	141.20	116.95	108.85	104.75	100.85	97.40
.5938	19/32	.156	1/8	3	1/4	2 3/4	352219	93.20	.5661 - .5970	141.80	117.55	109.45	105.45	101.30	97.95
.6250	5/8	.156	1/8	3	1/4	2 3/4	352220	94.25	.5971 - .6280	142.75	118.55	110.40	106.55	102.40	99.00
.6562	21/32	.219	3/16	3	1/4	2 3/4	352221	104.70	.6281 - .6590	153.20	128.95	120.95	116.95	112.85	109.50
.6875	11/16	.219	3/16	3	1/4	2 3/4	352222	109.95	.6591 - .6910	158.50	134.25	126.15	122.15	118.00	114.70
.7188	23/32	.219	3/16	3	1/4	2 3/4	352223	113.65	.6911 - .7220	162.15	137.95	129.80	125.90	121.75	118.50
.7500	3/4	.219	3/16	3	1/4	2 3/4	352224	115.10	.7221 - .7530	163.60	139.35	131.20	127.35	123.25	119.90
.7812	25/32	.219	3/16	3	1/4	2 3/4	352225	115.60	.7531 - .7840	164.15	139.85	131.80	127.70	123.70	120.35
.8125	13/16	.219	3/16	3	1/4	2 3/4	352226	116.55	.7841 - .8160	165.25	140.85	132.80	128.80	124.75	121.40
.8438	27/32	.219	3/16	3	1/4	2 3/4	352227	117.45	.8161 - .8470	166.00	141.55	133.55	129.55	125.45	122.15
.8750	7/8	.219	3/16	3	1/4	2 3/4	352228	118.55	.8471 - .8780	167.00	142.75	134.75	130.75	126.60	123.30
.9062	29/32	.219	3/16	3	1/4	2 3/4	352229	119.30	.8781 - .9090	167.85	143.65	135.55	131.65	127.50	124.15
.9375	15/16	.219	3/16	3	1/4	2 3/4	352230	120.50	.9091 - .9410	169.05	144.85	136.70	132.75	128.65	125.25
.9688	31/32	.219	3/16	3	1/4	2 3/4	352231	121.30	.9411 - .9720	169.85	145.50	137.55	133.50	129.40	126.05
1.0000	1	.219	3/16	3	1/4	2 3/4	352232	121.70	.9721 - 1.0030	170.20	145.95	137.85	133.85	129.70	126.45
1.0625	1 1/16	.219	3/16	3	3/8	2 3/4	352234	155.30	1.0031 - 1.0660	203.75	179.50	171.50	167.45	163.30	160.05
1.1250	1 1/8	.219	3/16	3	3/8	2 3/4	352236	165.70	1.0661 - 1.1280	214.20	189.95	181.95	177.95	173.80	170.45
1.1875	1 3/16	.219	3/16	3	3/8	2 3/4	352238	167.75	1.1281 - 1.1905	216.30	192.10	184.00	180.00	175.95	172.60
1.2500	1 1/4	.281	1/4	3	3/8	2 3/4	352240	170.95	1.1906 - 1.2530	219.55	195.20	187.05	183.15	179.10	175.80
1.3125	1 5/16	.281	1/4	3	3/8	2 3/4	352242	174.05	1.2531 - 1.3155	222.60	198.35	190.30	186.30	182.15	178.80
1.3750	1 3/8	.281	1/4	3	3/8	2 3/4	352244	176.15	1.3156 - 1.3780	224.70	200.55	192.40	188.30	184.30	180.90
1.4375	1 7/16	.281	1/4	3	3/8	2 3/4	352246	178.25	1.3781 - 1.4405	226.90	202.50	194.50	190.45	186.40	183.05
1.5000	1 1/2	.281	1/4	3	3/8	2 3/4	352248	187.65	1.4406 - 1.5030	237.95	212.80	204.40	200.25	195.95	192.55
1.5625	1 9/16	.343	5/16	3	1/2	3 1/16	352250	208.70	1.5031 - 1.5660	259.05	233.95	225.55	221.40	217.20	213.75
1.6250	1 5/8	.343	5/16	3	1/2	3 1/16	352252	211.45	1.5661 - 1.6280	261.80	236.70	228.40	224.25	219.95	216.35
1.6875	1 11/16	.343	5/16	3	1/2	3 1/16	352254	214.30	1.6281 - 1.6910	264.60	239.45	231.05	227.00	222.75	219.25
1.7500	1 3/4	.343	5/16	3	1/2	3 1/16	352256	217.55	1.6911 - 1.7530	267.85	242.65	234.30	230.15	225.95	222.55
1.8125	1 13/16	.343	5/16	3	1/2	3 1/16	352258	220.15	1.7531 - 1.8160	270.00	244.95	236.55	232.40	228.00	224.60
1.8750	1 7/8	.343	5/16	3	1/2	3 1/16	352260	221.80	1.8161 - 1.8780	272.10	246.95	238.50	234.45	230.15	226.70
1.9375	1 15/16	.343	5/16	3	1/2	3 1/16	352262	244.70	1.8781 - 1.9410	295.00	269.85	261.50	257.35	253.00	249.60
2.0000	2	.343	5/16	3	1/2	3 1/16	352264	304.50	1.9411 - 2.0030	354.95	329.75	321.35	317.20	313.00	309.50

LEXINGTON CUTTER, INC. • sales@lexingtoncutter.com • Phone 800-882-2627 • Fax 800-882-3637

CARBIDE TIPPED RADIAL DRIVE COUNTERBORES

TYPE 3577 - FOR NON-FERROUS & CAST IRON

Carbide tips brazed to hardened alloy steel bodies.

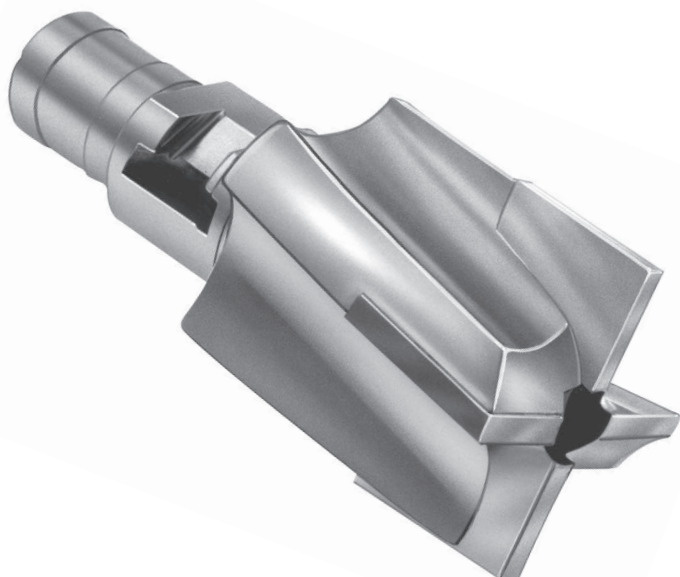
Tools are designed with appropriate carbide grade and tool geometry for machining non-ferrous, cast iron and non-metals.

TYPE 3578 - FOR STEEL

Carbide tips brazed to hardened alloy steel bodies.

Tools are designed with appropriate carbide grade and tool geometry for machining steel and steel alloys.

Both types have 10° right spiral smooth flutes and accept only short shank pilots (see page 36).



Body length = 1 1/2"

Tool diameter tolerance: +.001"/-.000"

TOOL DIAMETER		MIN. CUT DIAM.	PILOT HOLE DIAM.	RADIAL DRIVE SIZE	LARGE SHANK DIAM.	NO. OF FLTS.	OVER ALL LENGTH	N-F./C.I. TYPE 3577 EDP NO.	STEEL TYPE 3578 EDP NO.	BOTH TYPES PRICE	DECIMAL SIZE RANGE	PRICE EACH - FINISHED TO DECIMAL SIZE					
DEC.	FRAC.											1 PC.	2 PC.	3 PC.	4 PC.	5-7	8-14*
.5000	1/2	.219	3/16	RB	5/8	3	2 7/8	357716	357816	\$194.70	.4721 - .5030	\$284.65	\$239.80	\$224.70	\$217.25	\$209.75	\$203.55
.5625	9/16	.219	3/16	RB	5/8	3	2 7/8	357718	357818	194.70	.5341 - .5660	284.65	239.80	224.70	217.25	209.75	203.55
.6250	5/8	.219	3/16	RB	5/8	3	2 7/8	357720	357820	194.70	.5971 - .6280	284.65	239.80	224.70	217.25	209.75	203.55
.6875	11/16	.297	1/4	RB	5/8	3	2 7/8	357722	357822	194.70	.6591 - .6910	284.65	239.80	224.70	217.25	209.75	203.55
.7500	3/4	.297	1/4	RB	5/8	4	2 7/8	357724	357824	194.70	.7221 - .7530	284.65	239.80	224.70	217.25	209.75	203.55
.8125	13/16	.297	1/4	RB	5/8	4	2 7/8	357726	357826	198.40	.7841 - .8160	288.35	243.40	228.30	220.95	213.45	207.15
.8750	7/8	.297	1/4	RB	5/8	4	2 7/8	357728	357828	198.40	.8471 - .8780	288.35	243.40	228.30	220.95	213.45	207.15
.9375	15/16	.297	1/4	RB	5/8	4	2 7/8	357730	357830	210.00	.9091 - .9410	299.90	255.05	239.95	232.55	225.05	218.80
1.0000	1	.297	1/4	RB	5/8	4	2 7/8	357732	357832	210.00	.9721 - 1.0030	299.90	255.05	239.95	232.55	225.05	218.80
1.0000	1	.359	5/16	RC	3/4	4	2 7/8	357733	357833	213.70	.9721 - 1.0030	303.65	258.75	243.65	236.25	228.70	222.55
1.0625	1 1/16	.359	5/16	RC	3/4	4	2 7/8	357734	357834	213.70	1.0031 - 1.0660	303.65	258.75	243.65	236.25	228.70	222.55
1.1250	1 1/8	.359	5/16	RC	3/4	4	2 7/8	357736	357836	213.70	1.0661 - 1.1280	303.65	258.75	243.65	236.25	228.70	222.55
1.1875	1 3/16	.359	5/16	RC	3/4	4	2 7/8	357738	357838	228.70	1.1281 - 1.1905	318.60	273.70	258.75	251.30	243.80	237.60
1.2500	1 1/4	.359	5/16	RC	3/4	4	2 7/8	357740	357840	228.70	1.1906 - 1.2530	318.60	273.70	258.75	251.30	243.80	237.60
1.3125	1 5/16	.359	5/16	RC	3/4	4	2 7/8	357742	357842	228.70	1.2531 - 1.3155	318.60	273.70	258.75	251.30	243.80	237.60
1.3750	1 3/8	.359	5/16	RC	3/4	4	2 7/8	357744	357844	228.70	1.3156 - 1.3780	318.60	273.70	258.75	251.30	243.80	237.60
1.3750	1 3/8	.359	5/16	RE	1	4	3	357745	357845	248.05	1.3151 - 1.3780	337.90	293.00	277.95	270.55	262.95	256.75
1.5000	1 1/2	.359	5/16	RE	1	4	3	357748	357848	278.30	1.4406 - 1.5030	368.25	323.35	308.40	300.95	293.45	287.25
1.5000	1 1/2	.484	7/16	RF	1 1/8	4	3 1/16	357749	357849	289.70	1.4406 - 1.5030	379.75	334.70	319.75	312.30	304.80	298.60
1.6250	1 5/8	.359	5/16	RE	1	4	3	357752	357852	289.70	1.5661 - 1.6280	379.75	334.70	319.75	312.30	304.80	298.60
1.6250	1 5/8	.484	7/16	RF	1 1/8	4	3 1/16	357753	357853	297.55	1.5661 - 1.6280	387.55	342.60	327.60	320.15	312.70	306.45
1.7500	1 3/4	.484	7/16	RF	1 1/8	6	3 1/16	357756	357856	365.80	1.6911 - 1.7530	455.75	410.85	395.85	388.45	380.95	374.70
1.8750	1 7/8	.484	7/16	RF	1 1/8	6	3 1/16	357760	357860	385.10	1.8161 - 1.8780	475.05	430.05	415.05	407.65	400.10	393.85
2.0000	2	.484	7/16	RF	1 1/8	6	3 1/16	357764	357864	419.40	1.9411 - 2.0030	509.45	464.40	449.45	442.00	434.50	428.30
2.0000	2	.563	1/2	RJ	1 3/8	6	3 1/16	357765	357865	419.40	1.9411 - 2.0030	509.45	464.40	449.45	442.00	434.50	428.30
2.1250	2 1/8	.563	1/2	RJ	1 3/8	6	3 1/16	357768	357868	430.80	2.0661 - 2.1280	520.75	475.90	460.85	453.45	445.95	439.70
2.2500	2 1/4	.563	1/2	RJ	1 3/8	6	3 1/16	357772	357872	449.65	2.1906 - 2.2530	539.75	494.75	479.70	472.30	464.80	458.55
2.3750	2 3/8	.563	1/2	RJ	1 3/8	6	3 1/16	357776	357876	474.65	2.3156 - 2.3780	568.10	521.35	505.75	498.20	490.25	483.70
2.5000	2 1/2	.563	1/2	RJ	1 3/8	6	3 1/16	357780	357880	494.70	2.4406 - 2.5030	588.10	541.45	525.80	518.15	510.35	503.90
2.6250	2 5/8	.563	1/2	RJ	1 3/8	6	3 1/16	357784	357884	506.10	2.5661 - 2.6280	599.55	552.85	537.20	529.55	521.75	515.30
2.7500	2 3/4	.563	1/2	RS	1 3/4	6	3 1/8	357788	357888	514.20	2.6911 - 2.7530	607.55	560.95	545.35	537.65	529.95	523.40
2.8750	2 7/8	.563	1/2	RS	1 3/4	6	3 1/8	357792	357892	542.05	2.8161 - 2.8780	635.35	588.70	573.20	565.40	557.60	551.15
3.0000	3	.563	1/2	RS	1 3/4	6	3 1/8	357796	357896	581.60	2.9411 - 3.0030	674.85	628.25	612.65	605.05	597.15	590.65

CARBIDE TIPPED PIN DRIVE COUNTERBORES

TYPE 3573 - FOR NON-FERROUS & CAST IRON

Carbide tips brazed to hardened alloy steel bodies.

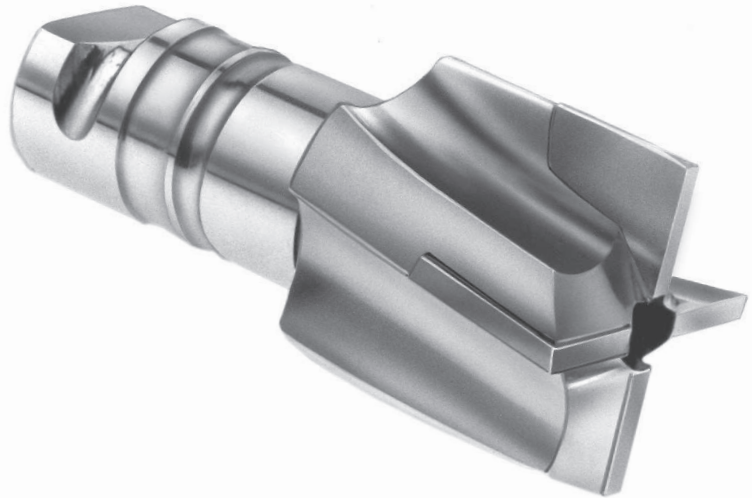
Tools are designed with appropriate carbide grade and tool geometry for machining non-ferrous, cast iron and non-metals.

TYPE 3574 - FOR STEEL

Carbide tips brazed to hardened alloy steel bodies.

Tools are designed with appropriate carbide grade and tool geometry for machining steel and steel alloys.

Both types have 10° right spiral smooth flutes and accept short or long threaded shank pilots. For short shank pilots, see page 36. For long threaded shank pilots, contact us for price and availability. Pin drive shanks can also be used in straight shank holders or collets.



Tool diameter tolerance: +.001"/-.000".
Body length: 1 3/8".

TOOL DIAMETER		MIN. CUT DIAM.	PILOT HOLE DIAM.	PIN DRIVE NO.	SHANK DIAM.	NO. OF FLTS.	OVER ALL LENGTH	N-F/C.I. TYPE 3573 EDP NO.	STEEL TYPE 3574 EDP NO.	BOTH TYPES PRICE	DECIMAL SIZE RANGE	PRICE EACH - FINISHED TO DECIMAL SIZE					
DEC.	FRACTIONAL											1 PC.	2 PC.	3 PC.	4 PC.	5-7	8-14*
.5000	1/2	.2188	.1875	1	5/16	3	2 7/8	357316	357416	\$187.00	.4721 - .5030	\$277.00	\$232.00	\$216.90	\$209.55	\$201.95	\$195.75
.5625	9/16	.2188	.1875	1	5/16	3	2 7/8	357318	357418	187.00	.5341 - .5660	277.00	232.00	216.90	209.55	201.95	195.75
.6250	5/8	.2188	.1875	1	5/16	3	2 7/8	357320	357420	187.00	.5971 - .6280	277.00	232.00	216.90	209.55	201.95	195.75
.6875	11/16	.2969	.2500	1	5/16	3	2 7/8	357322	357422	175.70	.6591 - .6910	265.65	220.65	205.70	198.35	190.75	184.45
.7500	3/4	.2969	.2500	1	5/16	3	2 7/8	357324	357424	175.70	.7221 - .7530	265.65	220.65	205.70	198.35	190.75	184.45
.8125	13/16	.2969	.2500	1	5/16	4	2 7/8	357326	357426	175.70	.7841 - .8160	265.65	220.65	205.70	198.35	190.75	184.45
.8750	7/8	.2969	.2500	1	5/16	4	2 7/8	357328	357428	175.70	.8471 - .8780	265.65	220.65	205.70	198.35	190.75	184.45
.9375	15/16	.2969	.2500	1	5/16	4	2 7/8	357330	357430	179.65	.9091 - .9410	269.65	224.70	209.70	202.25	194.70	188.45
1.0000	1	.2969	.2500	1	5/16	4	2 7/8	357332	357432	183.00	.9721 - 1.0030	272.90	228.00	212.90	205.45	197.95	191.75
1.0625	1 1/16	.2969	.2500	1	5/16	4	2 7/8	357334	357434	202.25	1.0031 - 1.0660	292.20	247.30	232.25	224.85	217.25	211.10
1.0625	1 1/16	.3594	.3125	2	7/8	4	3	357335	357435	213.70	1.0031 - 1.0660	303.65	258.75	243.65	236.25	228.70	222.55
1.1250	1 1/8	.2969	.2500	1	5/16	4	2 7/8	357336	357436	202.25	1.0661 - 1.1280	292.20	247.30	232.25	224.85	217.25	211.10
1.1250	1 1/8	.3594	.3125	2	7/8	4	3	357337	357437	213.70	1.0661 - 1.1280	303.65	258.75	243.65	236.25	228.70	222.55
1.1875	1 3/16	.3594	.3125	2	7/8	4	3	357338	357438	221.50	1.1281 - 1.1905	311.55	266.60	251.55	244.10	236.60	230.40
1.2500	1 1/4	.3594	.3125	2	7/8	4	3	357340	357440	221.50	1.1906 - 1.2530	311.55	266.60	251.55	244.10	236.60	230.40
1.3125	1 3/16	.3594	.3125	2	7/8	4	3	357342	357442	225.05	1.2531 - 1.3155	315.05	270.10	255.05	247.60	240.10	233.90
1.3750	1 3/8	.3594	.3125	2	7/8	4	3	357344	357444	225.05	1.3156 - 1.3780	315.05	270.10	255.05	247.60	240.10	233.90
1.4375	1 7/16	.3594	.3125	2	7/8	4	3	357346	357446	236.40	1.3781 - 1.4405	326.35	281.45	266.30	258.95	251.40	245.15
1.5000	1 1/2	.3594	.3125	2	7/8	4	3	357348	357448	248.05	1.4406 - 1.5030	337.90	293.00	277.95	270.55	262.95	256.75
1.5625	1 5/8	.3594	.3125	2	7/8	4	3	357350	357450	266.65	1.5031 - 1.5660	356.70	311.70	296.75	289.25	281.75	275.50
1.6250	1 5/8	.3594	.3125	2	7/8	4	3	357352	357452	278.30	1.5661 - 1.6280	368.25	323.35	308.40	300.95	293.45	287.25
1.6875	1 11/16	.3594	.3125	2	7/8	4	3	357354	357454	289.70	1.6281 - 1.6910	379.75	334.70	319.75	312.30	304.80	298.60
1.7500	1 3/4	.3594	.3125	2	7/8	4	3	357356	357456	305.10	1.6911 - 1.7530	395.05	350.10	335.10	327.65	320.15	313.95
1.7500	1 3/4	.4844	.4375	3	1 1/4	6	3 1/16	357357	357457	347.25	1.6911 - 1.7530	437.35	392.35	377.30	369.90	362.40	356.15
1.8750	1 7/8	.4844	.4375	3	1 1/4	6	3 1/16	357360	357460	347.25	1.8161 - 1.8780	437.35	392.35	377.30	369.90	362.40	356.15
2.0000	2	.4844	.4375	3	1 1/4	6	3 1/16	357364	357464	393.10	1.9411 - 2.0030	482.95	438.15	423.10	415.75	408.10	401.85
2.1250	2 1/8	.4844	.4375	3	1 1/4	6	3 1/16	357368	357468	404.00	2.0661 - 2.1280	493.95	449.05	434.00	426.60	419.10	412.85
2.2500	2 1/4	.4844	.4375	3	1 1/4	6	3 1/16	357372	357472	419.40	2.1906 - 2.2530	509.45	464.40	449.45	442.00	434.50	428.30
2.3750	2 3/8	.4844	.4375	3	1 1/4	6	3 1/16	357376	357476	470.60	2.3156 - 2.3780	564.05	517.30	501.80	494.00	486.25	479.80
2.5000	2 1/2	.5625	.5000	3	1 1/4	6	3 1/16	357380	357480	506.10	2.4406 - 2.5030	599.55	552.85	537.20	529.55	521.75	515.30
2.7500	2 3/4	.5625	.5000	3	1 1/4	6	3 1/16	357388	357488	561.85	2.6911 - 2.7530	655.20	608.50	592.95	585.20	577.40	570.95
3.0000	3	.5625	.5000	3	1 1/4	6	3 1/16	357396	357496	593.55	2.9411 - 3.0030	687.00	640.35	624.75	617.05	609.25	602.80

LEXINGTON CUTTER, INC. • sales@lexingtoncutter.com • Phone 800-882-2627 • Fax 800-882-3637

CARBIDE TIPPED STUB TAPER SHANK COUNTERBORES

TYPE 3575 - FOR NON-FERROUS & CAST IRON

Carbide tips brazed to hardened alloy steel bodies.

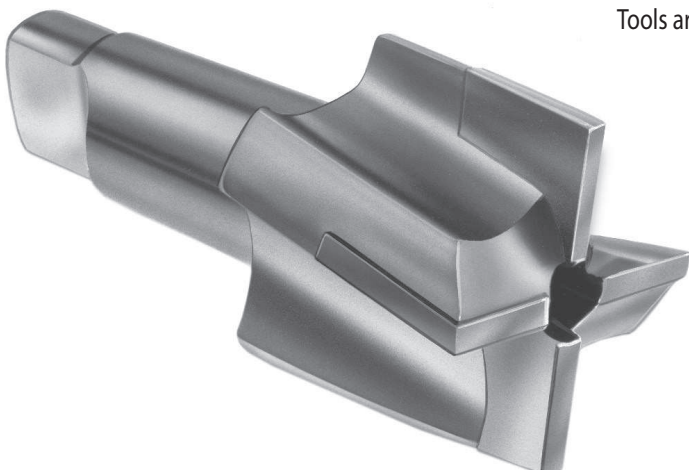
Tools are designed with appropriate carbide grade and tool geometry for machining non-ferrous, cast iron and non-metals.

TYPE 3576 - FOR STEEL

Carbide tips brazed to hardened alloy steel bodies.

Tools are designed with appropriate carbide grade and tool geometry for machining steel and steel alloys.

Both types have 10° right spiral smooth flutes and accept only short shank pilots (see page 36).



Tool diameter tolerance: +.001"/-.000".

Stub taper dimensions conform to ASME/ANSI B5.10 specifications.

Body length = 1 ¼" thru 1.9410" tool diameter.

= 1 ½" above 1.9410" tool diameter.

TOOL DIAMETER		MIN. CUT DIAM.	PILOT HOLE DIAM.	STUB TAPER NO.	NO. OF FLTS.	OVER ALL LENGTH	N-F/C.I. TYPE 3575 EDP NO.	STEEL TYPE 3576 EDP NO.	BOTH TYPES PRICE	DECIMAL SIZE RANGE	PRICE EACH - FINISHED TO DECIMAL SIZE					
DECIMAL	FRACTIONAL										1 PC.	2 PC.	3 PC.	4 PC.	5-7	8-14*
.5000	1/2	.2188	.1875	1	3	2 3/16	357516	357616	227.20	.4721 - .5030	\$313.80	\$270.55	\$256.05	\$248.95	\$241.65	\$235.65
.5625	9/16	.2188	.1875	1	3	2 3/16	357518	357618	227.20	.5341 - .5660	313.80	270.55	256.05	248.95	241.65	235.65
.6250	5/8	.2188	.1875	1	3	2 3/16	357520	357620	227.20	.5971 - .6280	313.80	270.55	256.05	248.95	241.65	235.65
.6875	11/16	.2188	.1875	1	3	2 3/16	357522	357622	227.20	.6591 - .6910	313.80	270.55	256.05	248.95	241.65	235.65
.7500	3/4	.2969	.2500	2	4	2 7/8	357524	357624	212.95	.7221 - .7530	299.45	256.35	241.80	234.75	227.50	221.50
.8125	13/16	.2969	.2500	2	4	2 7/8	357526	357626	212.95	.7841 - .8160	299.45	256.35	241.80	234.75	227.50	221.50
.8750	7/8	.2969	.2500	2	4	2 7/8	357528	357628	212.95	.8471 - .8780	299.45	256.35	241.80	234.75	227.50	221.50
.9375	15/16	.2969	.2500	2	4	2 7/8	357530	357630	205.40	.9091 - .9410	292.00	248.70	234.25	227.15	219.95	213.90
1.0000	1	.3594	.3125	2	4	2 7/8	357532	357632	205.40	.9721 - 1.0030	292.00	248.70	234.25	227.15	219.95	213.90
1.0625	1 1/16	.3594	.3125	2	4	2 7/8	357534	357634	205.40	1.0031 - 1.0660	292.00	248.70	234.25	227.15	219.95	213.90
1.1250	1 1/8	.3594	.3125	2	4	2 7/8	357536	357636	205.40	1.0661 - 1.1280	292.00	248.70	234.25	227.15	219.95	213.90
1.1875	1 3/16	.3594	.3125	2	4	2 7/8	357538	357638	212.95	1.1281 - 1.1905	299.45	256.35	241.80	234.75	227.50	221.50
1.2500	1 1/4	.3594	.3125	2	4	2 7/8	357540	357640	212.95	1.1906 - 1.2530	299.45	256.35	241.80	234.75	227.50	221.50
1.3125	1 5/16	.3594	.3125	2	4	2 7/8	357542	357642	216.35	1.2531 - 1.3155	302.90	259.65	245.25	238.05	230.85	224.85
1.3750	1 3/8	.3594	.3125	2	4	2 7/8	357544	357644	238.40	1.3156 - 1.3780	324.90	281.75	267.25	260.15	252.95	246.95
1.4375	1 7/16	.3594	.3125	2	4	2 7/8	357546	357646	260.45	1.3781 - 1.4405	346.90	303.70	289.25	282.10	274.85	268.75
1.5000	1 1/2	.3594	.3125	2	4	2 7/8	357548	357648	282.25	1.4406 - 1.5030	368.85	325.60	311.10	304.00	296.80	290.80
1.5625	1 5/8	.4844	.4375	3	6	3 3/16	357550	357650	300.60	1.5031 - 1.5660	387.20	343.85	329.45	322.40	315.15	309.10
1.6250	1 5/8	.4844	.4375	3	6	3 3/16	357552	357652	337.30	1.5661 - 1.6280	423.75	380.55	366.20	359.00	351.70	345.70
1.6875	1 11/16	.4844	.4375	3	6	3 3/16	357554	357654	366.45	1.6281 - 1.6910	453.05	409.80	395.35	388.20	381.00	375.00
1.7500	1 3/4	.4844	.4375	3	6	3 3/16	357556	357656	395.85	1.6911 - 1.7530	482.30	439.10	424.70	417.50	410.25	404.30
1.8125	1 13/16	.4844	.4375	3	6	3 3/16	357558	357658	417.95	1.7531 - 1.8160	504.55	461.30	446.75	439.70	432.45	426.50
1.8750	1 7/8	.4844	.4375	3	6	3 3/16	357560	357660	439.80	1.8161 - 1.8780	526.30	483.05	468.65	461.45	454.20	448.25
1.9375	1 15/16	.4844	.4375	3	6	3 3/16	357562	357662	461.95	1.8781 - 1.9410	548.50	505.25	490.85	483.70	476.50	470.45
2.0000	2	.5625	.5000	4	6	3 3/4	357564	357664	483.80	1.9411 - 2.0030	570.25	527.20	512.65	505.50	498.35	492.25
2.1250	2 1/8	.5625	.5000	4	6	3 3/4	357568	357668	498.50	2.0661 - 2.1280	585.00	541.75	527.35	520.15	512.95	506.95
2.2500	2 1/4	.5625	.5000	4	6	3 3/4	357572	357672	512.85	2.1906 - 2.2530	599.40	556.20	541.65	534.60	527.35	521.35
2.3750	2 3/8	.5625	.5000	4	6	3 3/4	357576	357676	551.60	2.3156 - 2.3780	641.25	596.40	581.45	574.10	566.60	560.35
2.5000	2 1/2	.5625	.5000	4	6	3 3/4	357580	357680	570.75	2.4406 - 2.5030	660.60	615.70	600.70	593.30	585.80	579.60
2.7500	2 3/4	.5625	.5000	4	6	3 3/4	357588	357688	601.10	2.6911 - 2.7530	690.80	646.00	630.90	623.60	616.10	609.90
3.0000	3	.5625	.5000	4	6	3 3/4	357596	357696	631.35	2.9411 - 3.0030	721.10	676.35	661.25	653.85	646.35	640.10

Phone 941-739-2726 • Fax 941-739-2827 • www.lexingtoncutter.com • LEXINGTON CUTTER, INC.

*Quantities of 15 or more: price of fractional size in same size range.

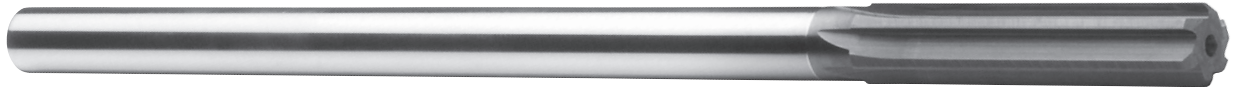
Made in U.S.A.

SOLID CARBIDE HEAD REAMERS

TYPE 3801 - STRAIGHT STEEL SHANK - STRAIGHT FLUTES - FOR NON-FERROUS
TYPE 3800 - STRAIGHT STEEL SHANK - STRAIGHT FLUTES - FOR CAST IRON & STEEL

Solid carbide head brazed to hardened alloy steel shank on tool diameters .1911" and larger.
 Solid carbide head and shank on diameters .1910" and below.
 Tool geometry appropriate for material being machined.

We recommend our Carbide Tipped Reamers Type 3480 (page 78) or Type 3459 (page 94) for better performance when reaming cast steels and tough steel alloys. The carbide grade and tool geometry are appropriate for these materials. Diameters 7/64" and below provided with male centers.



Tool diameter tolerance thru .2500": +.0002"/-.0000".
 over .2500": +.0003"/-.0000".
 Shank diameter tolerance: +.0000"/-.0010".

For closer tool diameter tolerance pricing, see page 60.

TOOL DIAMETER		MAX. SHANK DIAM.	NO. OF FLUTES	LENGTH		NON-FERR. TYPE 3801 EDP NO.	C.I./STEEL TYPE 3800 EDP NO.	BOTH TYPES PRICE	DECIMAL SIZE RANGE	PRICE EACH - FINISHED TO DECIMAL SIZE					
DECIMAL	FRACTION			FLUTE	OAL					1 PC.	2 PC.	3 PC.	4 PC.	5-7	8-14**
* .0938	3/32	.0800	4	3/4	3	-	380099	-	.0811 - .0890	\$89.70	\$66.35	\$58.30	\$54.70	\$50.55	\$47.50
*.1094	7/64	.0943	4	7/8	3 1/2	-	380007	42.90	.0891 - .0970	89.70	66.35	58.30	54.70	50.55	47.50
*.1250	1/8	.1099	4	7/8	3 1/2	380108	380008	42.90	.0971 - .1120	89.70	66.35	58.30	54.70	50.55	47.50
*.1406	9/64	.1255	4	7/8	3 1/2	380109	380009	48.95	.1121 - .1280	89.70	66.35	58.30	54.70	50.55	47.50
*.1562	5/32	.1411	4	1	4	380110	380010	50.40	.1281 - .1435	95.85	72.35	64.50	60.75	56.75	53.55
*.1719	11/64	.1567	4	1	4	380111	380011	56.85	.1436 - .1590	97.20	73.85	65.90	62.20	58.10	55.05
*.1875	3/16	.1724	4	1 1/8	4 1/2	380112	380012	58.00	.1591 - .1750	103.60	80.30	72.35	68.65	64.70	61.45
.2031	13/64	.1880	6	1 1/4	5	380113	380013	61.90	.1751 - .1910	104.90	81.45	73.55	69.80	65.80	62.70
.2188	7/32	.1880	6	1 1/4	5	380114	380014	61.90	-	-	-	-	-	-	-
.2344	15/64	.2193	6	1 1/2	6	380115	380015	65.80	.1911 - .2210	108.80	85.35	77.40	73.60	69.65	66.55
.2500	1/4	.2193	6	1 1/2	6	380116	380016	65.80	-	-	-	-	-	-	-
.2656	17/64	.2505	6	1 1/2	6	380117	380017	70.80	.2211 - .2530	112.65	89.20	81.30	77.70	73.55	70.40
.2812	9/32	.2505	6	1 1/2	6	380118	380018	70.80	-	-	-	-	-	-	-
.2969	19/64	.2817	6	1 5/8	6	380119	380019	73.60	.2531 - .2840	117.55	94.15	86.30	82.60	78.60	75.40
.3125	5/16	.2817	6	1 5/8	6	380120	380020	73.60	-	-	-	-	-	-	-
.3281	21/64	.3130	6	1 5/8	6	380121	380021	78.80	.2841 - .3150	120.50	97.05	89.20	85.50	81.45	78.30
.3438	11/32	.3130	6	1 5/8	6	380122	380022	78.80	-	-	-	-	-	-	-
.3594	23/64	.3443	6	1 3/4	7	380123	380023	84.75	.3151 - .3470	125.60	102.10	94.25	90.50	86.50	83.50
.3750	3/8	.3443	6	1 3/4	7	380124	380024	84.75	-	-	-	-	-	-	-
.3906	25/64	.3755	6	1 3/4	7	380125	380025	96.90	.3471 - .3780	131.55	108.10	100.25	96.55	92.55	89.40
.4062	13/32	.3755	6	1 3/4	7	380126	380026	96.90	-	-	-	-	-	-	-
.4219	27/64	.4067	6	1 3/4	7	380127	380027	102.90	.3781 - .4090	143.65	120.20	112.40	108.70	104.60	101.45
.4375	7/16	.4067	6	1 3/4	7	380128	380028	102.90	-	-	-	-	-	-	-
.4531	29/64	.4380	6	1 3/4	8	380129	380029	109.05	.4091 - .4410	149.65	126.20	118.40	114.70	110.65	107.45
.4688	15/32	.4380	6	1 3/4	8	380130	380030	109.05	-	-	-	-	-	-	-
.4844	31/64	.4693	6	1 3/4	8	380131	380031	117.10	.4411 - .4720	155.90	132.45	124.60	120.85	116.85	113.65
.5000	1/2	.4693	6	1 3/4	8	380132	380032	117.10	-	-	-	-	-	-	-
.5156	33/64	.5005	6	1 7/8	9	380133	380033	151.05	.4721 - .5030	164.00	140.45	132.60	128.90	124.90	121.75
.5312	17/32	.5005	6	1 7/8	9	380134	380034	151.05	-	-	-	-	-	-	-
.5469	35/64	.5005	6	1 7/8	9	380135	380035	178.30	.5031 - .5340	197.80	174.35	166.60	162.80	158.80	155.60
.5625	9/16	.5005	6	1 7/8	9	380136	380036	178.30	-	-	-	-	-	-	-
.5781	37/64	.5630	6	1 7/8	9	380137	380037	202.35	.5341 - .5660	225.10	201.60	193.75	190.05	186.00	182.90
.5938	19/32	.5630	6	1 7/8	9	380138	380038	202.35	-	-	-	-	-	-	-
.6094	39/64	.5630	6	1 7/8	9	380139	380039	204.65	.5661 - .5970	249.15	225.70	217.85	214.05	210.15	206.95
.6250	5/8	.5630	6	1 7/8	9	380140	380040	204.65	-	-	-	-	-	-	-
.6562	21/32	.6255	6	2	9 1/2	380142	380042	296.05	.4721 - .5030	251.40	227.95	220.15	216.45	212.35	209.15
.6875	11/16	.6255	6	2	9 1/2	380144	380044	296.05	.5971 - .6280	251.40	227.95	220.15	216.45	212.35	209.15
.7188	23/32	.6880	6	2	9 1/2	380146	380046	333.10	.6281 - .6590	340.60	318.25	310.80	307.25	303.85	300.35
.7500	3/4	.6880	6	2	9 1/2	380148	380048	333.10	.6591 - .6910	340.60	318.25	310.80	307.25	303.85	300.35
.7812	25/32	.7505	8	2	10	380150	380050	369.75	.6911 - .7220	377.60	355.25	347.85	344.30	340.85	337.40
.8125	13/16	.7817	8	2	10	380152	380052	403.45	.7221 - .7530	377.60	355.25	347.85	344.30	340.85	337.40
.8438	27/32	.8130	8	2	10	380154	380054	425.45	.7531 - .7840	414.25	391.90	384.50	380.95	377.55	374.05
.8750	7/8	.8440	8	2	10	380156	380056	416.55	.7841 - .8160	447.95	425.60	418.20	414.65	411.20	407.75
.9062	29/32	.8755	8	2	10	380158	380058	487.40	.8161 - .8470	470.00	447.65	440.25	436.65	433.25	429.75
.9375	15/16	.9067	8	2	10	380160	380060	512.35	.8471 - .8780	461.10	438.75	431.30	427.75	424.35	420.85
.9688	31/32	.9380	8	2	10	380162	380062	536.70	.8781 - .9090	531.95	509.60	502.20	498.60	495.20	491.70
1.0000	1	.9693	8	2	10	380164	380064	556.95	.9091 - .9410	556.85	534.55	527.10	523.55	520.15	516.65
									.9411 - .9720	581.20	558.85	551.45	547.90	544.50	541.00
									.9721 - 1.0030	601.45	579.15	571.70	568.15	564.75	561.25

LEXINGTON CUTTER, INC. • sales@lexingtoncutter.com • Phone 800-882-2627 • Fax 800-882-3637

SOLID CARBIDE HEAD SPIRAL REAMERS

TYPE 3811 - STRAIGHT STEEL SHANK - RIGHT SPIRAL FLUTES - FOR NON-FERROUS TYPE 3810 - STRAIGHT STEEL SHANK - RIGHT SPIRAL FLUTES - FOR CAST IRON & STEEL

Solid carbide head brazed to hardened alloy steel shank on tool diameters of .1911" and larger. Tool geometry appropriate for material being machined.

Ground with spiral flutes for reaming blind holes with interruptions such as keyways, slots or intersecting holes.



TYPE 3821 - STRAIGHT STEEL SHANK - LEFT SPIRAL FLUTES - FOR NON-FERROUS TYPE 3820 - STRAIGHT STEEL SHANK - LEFT SPIRAL FLUTES - FOR CAST IRON & STEEL

Same as Types 3810 & 3811, except left spiral flutes. Used in through holes only.



ALL TYPES ON THIS PAGE:

Tool diameter tolerance thru .2500": +.0002"/-.0000"
over .2500": +.0003"/-.0000"

Shank diameter tolerance: +.0000"/-.0010"

For closer tool diameter tolerance pricing, see page 60.

TOOL DIAMETER		MAX. SHANK DIAM.	NO. OF FLTS.	LENGTH		RIGHT SPIRAL		LEFT SPIRAL		ALL TYPES PRICE	DECIMAL SIZE RANGE	PRICE EACH - FINISHED TO DECIMAL SIZE					
DEC.	FRAC.			FLT	OAL	NON-FERR. TYPE 3811 EDP NO.	C.I./STEEL TYPE 3810 EDP NO.	NON-FERR. TYPE 3821 EDP NO.	C.I./STEEL TYPE 3820 EDP NO.			1 PC.	2 PC.	3 PC.	4 PC.	5-7	8-14**
.1250	1/8*	.1099	4	7/8	3 1/2	381108	381008	382108	382008	\$52.25	.1121 - .1280	\$99.15	\$75.70	\$67.65	\$63.95	\$59.95	\$56.85
.1406	9/64*	.1255	4	7/8	3 1/2	381109	381009	382109	382009	59.65	.1281 - .1435	106.55	83.05	75.15	71.45	67.45	64.35
.1562	5/32*	.1411	4	1	4	381110	381010	382110	382010	61.60	.1436 - .1590	108.40	84.80	77.00	73.30	69.25	66.10
.1719	11/64*	.1567	4	1	4	381111	381011	382111	382011	69.30	.1591 - .1750	116.25	92.75	84.80	81.10	77.15	74.05
.1875	3/16*	.1724	4	1 1/8	4 1/2	381112	381012	382112	382012	70.80	.1751 - .1910	117.55	94.15	86.30	82.60	78.60	75.40
.2031	13/64	.1880	6	1 1/4	5	381113	381013	382113	382013	75.40	-	-	-	-	-	-	-
.2188	7/32	.1880	6	1 1/4	5	381114	381014	382114	382014	75.40	.1911 - .2210	122.20	98.75	90.95	87.25	83.10	80.00
.2344	15/64	.2193	6	1 1/2	6	381115	381015	382115	382015	80.35	-	-	-	-	-	-	-
.2500	1/4	.2193	6	1 1/2	6	381116	381016	382116	382016	80.35	.2211 - .2530	127.10	103.60	95.85	92.10	88.00	84.80
.2656	17/64	.2505	6	1 1/2	6	381117	381017	382117	382017	86.30	-	-	-	-	-	-	-
.2812	9/32	.2505	6	1 1/2	6	381118	381018	382118	382018	86.30	.2531 - .2840	133.10	109.65	101.80	98.10	94.00	90.95
.2969	19/64	.2817	6	1 5/8	6	381119	381019	382119	382019	89.95	-	-	-	-	-	-	-
.3125	5/16	.2817	6	1 5/8	6	381120	381020	382120	382020	89.95	.2841 - .3150	136.70	113.25	105.45	101.65	97.65	94.45
.3281	21/64	.3130	6	1 5/8	6	381121	381021	382121	382021	96.00	-	-	-	-	-	-	-
.3438	11/32	.3130	6	1 5/8	6	381122	381022	382122	382022	96.00	.3151 - .3470	142.85	119.40	111.50	107.75	103.75	100.70
.3594	23/64	.3443	6	1 3/4	7	381123	381023	382123	382023	103.35	-	-	-	-	-	-	-
.3750	3/8	.3443	6	1 3/4	7	381124	381024	382124	382024	103.35	.3471 - .3780	150.10	126.65	118.85	115.15	111.10	107.90
.3906	25/64	.3755	6	1 3/4	7	381125	381025	382125	382025	118.15	-	-	-	-	-	-	-
.4062	13/32	.3755	6	1 3/4	7	381126	381026	382126	382026	118.15	.3781 - .4090	164.95	141.50	133.65	129.85	125.90	122.75
.4219	27/64	.4067	6	1 3/4	7	381127	381027	382127	382027	125.40	-	-	-	-	-	-	-
.4375	7/16	.4067	6	1 3/4	7	381128	381028	382128	382028	125.40	.4091 - .4410	172.15	148.70	140.90	137.20	133.10	129.90
.4531	29/64	.4380	6	1 3/4	8	381129	381029	382129	382029	133.05	-	-	-	-	-	-	-
.4688	15/32	.4380	6	1 3/4	8	381130	381030	382130	382030	133.05	.4411 - .4720	179.80	156.40	148.55	144.85	140.85	137.65
.4844	31/64	.4693	6	1 3/4	8	381131	381031	382131	382031	142.75	-	-	-	-	-	-	-
.5000	1/2	.4693	6	1 3/4	8	381132	381032	382132	382032	142.75	.4721 - .5030	189.50	166.15	158.25	154.50	150.55	147.35
.5156	33/64	.5005	6	1 7/8	9	381133	381033	382133	382033	184.00	-	-	-	-	-	-	-
.5312	17/32	.5005	6	1 7/8	9	381134	381034	382134	382034	184.00	.5031 - .5340	230.90	207.40	199.50	195.80	191.80	188.70
.5469	35/64	.5005	6	1 7/8	9	381135	381035	382135	382035	217.40	-	-	-	-	-	-	-
.5625	9/16	.5005	6	1 7/8	9	381136	381036	382136	382036	217.40	.5341 - .5660	264.25	240.70	232.85	229.15	225.10	221.95
.5781	37/64	.5630	6	1 7/8	9	381137	381037	382137	382037	246.65	-	-	-	-	-	-	-
.5938	19/32	.5630	6	1 7/8	9	381138	381038	382138	382038	246.65	.5661 - .5970	293.40	270.00	262.15	258.45	254.35	251.25
.6094	39/64	.5630	6	1 7/8	9	381139	381039	382139	382039	249.45	-	-	-	-	-	-	-
.6250	5/8	.5630	6	1 7/8	9	381140	381040	382140	382040	249.45	.5971 - .6280	296.35	272.90	264.95	261.25	257.25	254.15
.6562	21/32	.6255	6	2	9 1/2	381142	381042	382142	382042	361.20	.6281 - .6590	415.50	388.30	379.25	374.85	370.70	366.45
.6875	11/16	.6255	6	2	9 1/2	381144	381044	382144	382044	361.20	.6591 - .6910	415.50	388.30	379.25	374.85	370.70	366.45
.7188	23/32	.6880	6	2	9 1/2	381146	381046	382146	382046	406.40	.6911 - .7220	460.70	433.40	424.35	420.05	415.90	411.60
.7500	3/4	.6880	6	2	9 1/2	381148	381048	382148	382048	406.40	.7221 - .7530	460.70	433.40	424.35	420.05	415.90	411.60
.7812	25/32	.7505	8	2	10	381150	381050	382150	382050	451.05	.7531 - .7840	505.40	478.15	469.10	464.70	460.55	456.35
.8125	13/16	.7817	8	2	10	381152	381052	382152	382052	492.15	.7841 - .8160	546.50	519.25	510.20	505.80	501.65	497.45
.8438	27/32	.8130	8	2	10	381154	381054	382154	382054	519.05	.8161 - .8470	573.35	546.10	537.05	532.75	528.60	524.30
.8750	7/8	.8440	8	2	10	381156	381056	382156	382056	508.20	.8471 - .8780	562.50	535.30	526.25	521.85	517.70	513.45
.9062	29/32	.8755	8	2	10	381158	381058	382158	382058	594.65	.8781 - .9090	648.95	621.70	612.65	608.30	604.15	599.90
.9375	15/16	.9067	8	2	10	381160	381060	382160	382060	625.05	.9091 - .9410	679.40	652.15	643.10	638.70	634.55	630.35
.9688	31/32	.9380	8	2	10	381162	381062	382162	382062	654.75	.9411 - .9720	709.05	681.80	672.75	668.40	664.25	660.00
1.0000	1	.9693	8	2	10	381164	381064	382164	382064	679.45	.9721 - 1.0030	733.75	706.55	697.50	693.20	688.95	684.70

Phone 941-739-2726 • Fax 941-739-2827 • www.lexingtoncutter.com • LEXINGTON CUTTER, INC.

*Solid carbide head and shank (.0811" - .1910" tool diameters). **Quantities of 15 or more: price of fractional size in same size range.

Made in U.S.A.

SOLID CARBIDE CHUCKING REAMERS

TYPE 3801 - LONG LENGTH - STRAIGHT SHANK - STRAIGHT FLUTES - FOR NON-FERROUS
TYPE 3800 - LONG LENGTH - STRAIGHT SHANK - STRAIGHT FLUTES - FOR CAST IRON & STEEL

Extended length series solid carbide chucking reamers. Tool geometry appropriate for material being machined.



Tool diameter tolerance +.0002"/-.0000".
 Shank diameter tolerance: +.0000"/-.0010".
 For closer tool diameter tolerance pricing, see page 60.

TOOL DIAMETER		MAX. SHANK DIAM.	NO. OF FLUTES	LENGTH		NON-FERR. TYPE 3801 EDP NO.	C.I./STEEL TYPE 3800 EDP NO.	BOTH TYPES PRICE	DECIMAL SIZE RANGE	PRICE EACH - FINISHED TO DECIMAL SIZE					
DECIMAL	FRACTIONAL			FLUTE	OAL					1 PC.	2 PC.	3 PC.	4 PC.	5-7	8-14**
* -	-	.0800	4	3/4	3	-	380099	-	.0811 - .0890	\$89.70	\$66.35	\$58.30	\$54.70	\$50.55	\$47.50
*.0938	3/32	.0880	4	3/4	3	-	380006	\$42.90	.0891 - .0970	89.70	66.35	58.30	54.70	50.55	47.50
*.1094	7/64	.0943	4	7/8	3 1/2	-	380007	42.90	.0971 - .1120	89.70	66.35	58.30	54.70	50.55	47.50
.1250	1/8	.1099	4	7/8	3 1/2	380108	380008	42.90	.1121 - .1280	89.70	66.35	58.30	54.70	50.55	47.50
.1406	9/64	.1255	4	7/8	3 1/2	380109	380009	48.95	.1281 - .1435	95.85	72.35	64.50	60.75	56.75	53.55
.1562	5/32	.1411	4	1	4	380110	380010	50.40	.1436 - .1590	97.20	73.85	65.90	62.20	58.10	55.05
.1719	11/64	.1567	4	1	4	380111	380011	56.85	.1591 - .1750	103.60	80.30	72.35	68.65	64.70	61.45
.1875	3/16	.1724	4	1 1/8	4 1/2	380112	380012	58.00	.1751 - .1910	104.90	81.45	73.55	69.80	65.80	62.70

*Provided with male centers

**Quantities of 15 or more: price of fractional size in same size range.

TYPE 3803 - STRAIGHT SHANK - STRAIGHT FLUTES - FOR NON-FERROUS
TYPE 3802 - STRAIGHT SHANK - STRAIGHT FLUTES - FOR CAST IRON & STEEL

Short series solid carbide head and shank. Tool geometry appropriate for material being machined.

For stocked general purpose reamers in decimal sizes and .0005" increments (Type 3804), see pages 55-58.



Tool diameter tolerance thru .2500": +.0002"/-.0000".
 over .2500": +.0003"/.0000".

Shank diameter tolerance: +.0000"/-.0010".
 For closer tool diameter tolerance pricing, see page 60.

DECIMAL SIZE RANGE	MAX. SHANK DIAMETER	NO. OF FLUTES	LENGTH		NON-FERR. TYPE 3803 EDP NO.	C.I./STEEL TYPE 3802 EDP NO.	PRICE EACH - FINISHED TO DECIMAL SIZE						
			FLUTE	OAL			1 PC.	2 PC.	3 PC.	4 PC.	5-7	8-14	15+
*.0591 - .0660	.0580	4	3/8	1 1/2	-	380204	\$95.05	\$59.15	\$47.15	\$41.50	\$35.40	\$30.50	\$23.50
*.0661 - .0740	.0650	4	1/2	1 3/4	-	380245	95.40	59.45	47.45	41.75	35.65	30.85	23.80
*.0741 - .0810	.0730	4	1/2	1 3/4	-	380205	95.45	59.60	47.55	41.95	35.70	31.00	23.90
*.0811 - .0890	.0800	4	1/2	2	-	380255	96.05	60.20	48.20	42.60	36.45	31.60	24.55
*.0891 - .0970	.0880	4	1/2	2	-	380206	96.65	60.75	48.75	43.10	37.00	32.05	25.10
*.0971 - .1120	.0943	4	5/8	2 1/4	380307	380207	97.05	61.10	49.15	43.50	37.30	32.50	25.50
.1121 - .1280	.1099	4	5/8	2 1/4	380308	380208	98.75	62.80	50.80	45.15	39.00	34.20	27.15
.1281 - .1435	.1255	4	3/4	2 1/2	380309	380209	99.40	63.55	51.50	45.95	39.75	34.95	27.85
.1436 - .1590	.1411	4	3/4	2 1/2	380310	380210	101.10	65.15	53.20	47.55	41.45	36.55	29.55
.1591 - .1750	.1567	4	7/8	2 3/4	380311	380211	104.90	69.00	57.00	51.35	45.25	40.35	33.35
.1751 - .1910	.1724	4	7/8	2 3/4	380312	380212	107.45	71.55	59.60	53.95	47.70	42.95	35.85
.1911 - .2210	.1880	6	1	3	380314	380214	111.85	76.00	64.00	58.35	52.25	47.40	40.35
.2211 - .2530	.2193	6	1	3	380316	380216	119.50	83.60	71.65	66.00	59.90	55.00	48.00
.2531 - .2840	.2505	6	1 1/8	3 1/4	380318	380218	128.40	92.50	80.50	74.85	68.75	63.85	56.85
.2841 - .3150	.2817	6	1 1/8	3 1/4	380320	380220	138.20	102.25	90.20	84.60	78.50	73.65	66.60
.3151 - .3470	.3130	6	1 1/4	3 1/2	380322	380222	152.60	116.80	104.85	99.20	93.00	88.05	81.20
.3471 - .3780	.3443	6	1 1/4	3 1/2	380324	380224	154.60	118.70	106.80	101.10	95.00	90.05	83.10
.3781 - .4090	.3755	6	1 3/8	3 3/4	380326	380226	167.40	131.45	119.50	113.75	107.65	102.85	95.75
.4091 - .4410	.4067	6	1 3/8	3 3/4	380328	380228	168.80	132.85	120.85	115.20	109.10	104.25	97.20
.4411 - .4720	.4380	6	1 1/2	4	380330	380230	179.10	143.15	131.15	125.50	119.40	114.60	107.50
.4721 - .5150	.4693	6	1 1/2	4	380332	380232	189.00	153.15	141.10	135.50	129.35	124.50	117.45

LEXINGTON CUTTER, INC. • sales@lexingtoncutter.com • Phone 800-882-2627 • Fax 800-882-3637

SOLID CARBIDE SPIRAL CHUCKING REAMERS

TYPE 3811 - LONG LENGTH - RIGHT SPIRAL FLUTES - FOR NON-FERROUS

TYPE 3810 - LONG LENGTH - RIGHT SPIRAL FLUTES - FOR CAST IRON & STEEL

TYPE 3821 - LONG LENGTH - LEFT SPIRAL FLUTES - FOR NON-FERROUS

TYPE 3820 - LONG LENGTH - LEFT SPIRAL FLUTES - FOR CAST IRON & STEEL

Extended length series. Ground with spiral flutes for reaming holes with interruptions such as keyways, slots or intersecting holes. Left spiral flutes should not be used on blind holes.



Tool diameter tolerance: +.0002"/-.0000".

Shank diameter tolerance: +.0000"/-.0010".

For closer tool diameter tolerance pricing, see page 60.

TOOL DIAMETER		MAX. SHANK DIAM.	NO. OF FLTS.	LENGTH		RIGHT SPIRAL		LEFT SPIRAL		ALL TYPES PRICE	DECIMAL SIZE RANGE	PRICE EACH - FINISHED TO DECIMAL SIZE					
DEC.	FRAC.			FLT.	OAL	NON-FERR. TYPE 3811 EDP NO.	C.I./STEEL TYPE 3810 EDP NO.	NON-FERR. TYPE 3821 EDP NO.	C.I./STEEL TYPE 3820 EDP NO.			1 PC.	2 PC.	3 PC.	4 PC.	5-7	8-14*
.1250	1/8	.1099	4	7/8	3 1/2	381108	381008	382108	382008	\$52.25	.1121 - .1280	\$99.15	\$75.70	\$67.65	\$63.95	\$59.95	\$56.85
.1406	9/64	.1255	4	7/8	3 1/2	381109	381009	382109	382009	59.65	.1281 - .1435	106.55	83.05	75.15	71.45	67.45	64.35
.1562	5/32	.1411	4	1	4	381110	381010	382110	382010	61.60	.1436 - .1590	108.40	84.80	77.00	73.30	69.25	66.10
.1719	11/64	.1567	4	1	4	381111	381011	382111	382011	69.30	.1591 - .1750	116.25	92.75	84.80	81.10	77.15	74.05
.1875	3/16	.1724	4	1 1/8	4 1/2	381112	381012	382112	382012	70.80	.1751 - .1910	117.55	94.15	86.30	82.60	78.60	75.40

*Quantities of 15 or more: price of fractional size in same size range.

TYPE 3813 - STRAIGHT SHANK - RIGHT SPIRAL FLUTES - FOR NON-FERROUS

TYPE 3812 - STRAIGHT SHANK - RIGHT SPIRAL FLUTES - FOR CAST IRON & STEEL

TYPE 3823 - STRAIGHT SHANK - LEFT SPIRAL FLUTES - FOR NON-FERROUS

TYPE 3822 - STRAIGHT SHANK - LEFT SPIRAL FLUTES - FOR CAST IRON & STEEL

Short length solid carbide head and shank. Ground with spiral flutes for reaming holes with interruptions such as keyways, slots or intersecting holes. Left spiral flutes should not be used on blind holes.



Tool diameter tolerance thru .2500": +.0002"/-.0000".

over .2500": +.0003"/.0000".

Shank diameter tolerance: +.0000"/-.0010".

For closer tool diameter tolerance pricing, see page 60.

DECIMAL SIZE RANGE	MAX. SHANK DIAM.	NO. OF FLTS.	FLT. LEN.	OVER ALL LEN.	RIGHT SPIRAL		LEFT SPIRAL		PRICE EACH - FINISHED TO DECIMAL SIZE						
					NON-FERR. TYPE 3813 EDP NO.	C.I./STEEL TYPE 3812 EDP NO.	NON-FERR. TYPE 3823 EDP NO.	C.I./STEEL TYPE 3822 EDP NO.	1 PC.	2 PC.	3 PC.	4 PC.	5-7	8-14	15+
*.0971 - .1120	.0943	4	5/8	2 1/4	381307	381207	382307	382207	\$95.70	\$61.25	\$49.65	\$44.25	\$38.30	\$33.65	\$26.85
.1121 - .1280	.1099	4	5/8	2 1/4	381308	381208	382308	382208	97.50	63.00	51.45	46.10	40.05	35.40	28.70
.1281 - .1435	.1255	4	3/4	2 1/2	381309	381209	382309	382209	103.15	67.05	54.95	49.20	43.05	38.05	31.00
.1436 - .1590	.1411	4	3/4	2 1/2	381310	381210	382310	382210	105.15	68.90	56.75	51.10	44.85	39.90	32.95
.1591 - .1750	.1567	4	7/8	2 3/4	381311	381211	382311	382211	109.35	73.15	61.05	55.25	49.15	44.20	37.10
.1751 - .1910	.1724	4	7/8	2 3/4	381312	381212	382312	382212	112.10	75.90	63.80	58.05	51.80	46.90	39.85
.1911 - .2210	.1880	6	1	3	381314	381214	382314	382214	122.55	84.70	72.05	66.00	59.50	54.35	46.90
.2211 - .2530	.2193	6	1	3	381316	381216	382316	382216	131.60	93.55	80.90	74.95	68.35	63.35	55.95
.2531 - .2840	.2505	6	1 1/8	3 1/4	381318	381218	382318	382218	141.90	103.90	91.25	85.30	78.75	73.70	66.25
.2841 - .3150	.2817	6	1 1/8	3 1/4	381320	381220	382320	382220	153.05	115.15	102.45	96.50	90.05	84.85	77.45
.3151 - .3470	.3130	6	1 1/4	3 1/2	381322	381222	382322	382222	170.00	132.10	119.40	113.40	106.90	101.70	94.30
.3471 - .3780	.3443	6	1 1/4	3 1/2	381324	381224	382324	382224	172.30	134.35	121.70	115.65	109.20	104.00	96.60
.3781 - .4090	.3755	6	1 3/8	3 3/4	381326	381226	382326	382226	177.10	139.10	126.45	120.35	113.90	108.80	101.35
.4091 - .4410	.4067	6	1 3/8	3 3/4	381328	381228	382328	382228	178.55	140.45	127.80	121.85	115.35	110.20	102.85
.4411 - .4720	.4380	6	1 1/2	4	381330	381230	382330	382230	189.45	151.40	138.70	132.75	126.35	121.15	113.70
.4721 - .5150	.4693	6	1 1/2	4	381332	381232	382332	382232	199.90	162.00	149.25	143.35	136.80	131.70	124.20

Phone 941-739-2726 • Fax 941-739-2827 • www.lexingtoncutter.com • LEXINGTON CUTTER, INC.

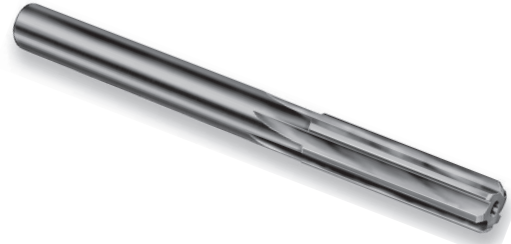
*Provided with male centers

Made in U.S.A.

SOLID CARBIDE COOLANT FED CHUCKING REAMERS

TYPE 3807 - STRAIGHT SHANK - STRAIGHT FLUTES - BLIND HOLES - FOR NON-FERROUS
TYPE 3806 - STRAIGHT SHANK - STRAIGHT FLUTES - BLIND HOLES - FOR CAST IRON & STEEL

Short length series solid carbide coolant fed chucking reamers.
 Center coolant feeding hole for flushing chips back towards shank.



Tool diameter tolerance thru .2500": +.0002"/-.0000".
 over .2500": +.0003"/-.0000".

Shank diameter tolerance: +.0000"/-.0010".

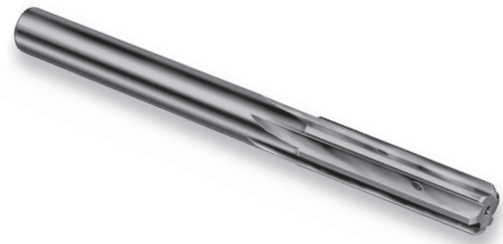
For closer tool diameter tolerance pricing, see page 60.

CENTER FED COOLANT

DECIMAL SIZE RANGE	MAX. SHANK DIAM.	NO. OF FLTS.	LENGTH		NON-FERR. TYPE 3807 EDP NO.	C.I./STEEL TYPE 3806 EDP NO.	PRICE EACH - FINISHED TO DECIMAL SIZE						
			FLUTE	OAL			1 PC.	2 PC.	3 PC.	4 PC.	5-7	8-14	15+
.1121 - .1280	.1099	4	5/8	2 1/4	380708	380608	\$171.35	\$148.40	\$140.75	\$137.10	\$133.05	\$130.00	\$125.50
.1281 - .1435	.1255	4	3/4	2 1/2	380709	380609	172.60	149.55	142.05	138.25	134.35	131.25	126.75
.1436 - .1590	.1411	4	3/4	2 1/2	380710	380610	173.30	150.40	142.75	139.00	135.05	131.90	127.50
.1591 - .1750	.1567	4	7/8	2 3/4	380711	380611	174.95	152.05	144.45	140.70	136.75	133.60	129.20
.1751 - .1910	.1724	4	7/8	2 3/4	380712	380612	182.00	158.95	151.40	147.65	143.75	140.60	136.10
.1911 - .2210	.1880	6	1	3	380714	380614	184.65	161.70	154.05	150.40	146.40	143.30	138.85
.2211 - .2530	.2193	6	1	3	380716	380616	187.95	164.95	157.35	153.65	149.60	146.65	142.15
.2531 - .2840	.2505	6	1 1/8	3 1/4	380718	380618	193.35	170.30	162.75	158.95	155.05	152.00	147.40
.2841 - .3150	.2817	6	1 1/8	3 1/4	380720	380620	197.75	174.80	167.15	163.45	159.55	156.50	152.00
.3151 - .3470	.3130	6	1 1/4	3 1/2	380722	380622	203.25	180.20	172.65	168.85	164.95	161.90	157.35
.3471 - .3780	.3443	6	1 1/4	3 1/2	380724	380624	209.45	186.40	178.85	175.10	171.15	168.10	163.60
.3781 - .4090	.3755	6	1 3/8	3 3/4	380726	380626	219.15	196.15	188.60	184.80	180.90	177.80	173.30

TYPE 3809 - STRAIGHT SHANK - STRAIGHT FLUTES - THROUGH HOLES - FOR NON-FERROUS
TYPE 3808 - STRAIGHT SHANK - STRAIGHT FLUTES - THROUGH HOLES - FOR CAST IRON & STEEL

Short length series solid carbide coolant fed chucking reamers.
 Coolant feeding hole in each flute for flushing chips forward through the hole being reamed.



Tool diameter tolerance thru .2500": +.0002"/-.0000".
 over .2500": +.0003"/-.0000".

Shank diameter tolerance: +.0000"/-.0010".

For closer tool diameter tolerance pricing, see page 60.

FLUTE FED COOLANT

DECIMAL SIZE RANGE	MAX. SHANK DIAM.	NO. OF FLTS.	LENGTH		NON-FERR. TYPE 3809 EDP NO.	C.I./STEEL TYPE 3808 EDP NO.	PRICE EACH - FINISHED TO DECIMAL SIZE						
			FLUTE	OAL			1 PC.	2 PC.	3 PC.	4 PC.	5-7	8-14	15+
.1121 - .1280	.1099	4	5/8	2 1/4	380908	380808	\$242.50	\$219.50	\$211.90	\$208.20	\$204.20	\$201.20	\$196.70
.1281 - .1435	.1255	4	3/4	2 1/2	380909	380809	230.35	207.30	199.75	195.95	192.05	189.00	184.50
.1436 - .1590	.1411	4	3/4	2 1/2	380910	380810	244.85	221.80	214.35	210.50	206.60	203.50	199.00
.1591 - .1750	.1567	4	7/8	2 3/4	380911	380811	247.00	224.00	216.45	212.70	208.75	205.65	201.20
.1751 - .1910	.1724	4	7/8	2 3/4	380912	380812	248.50	225.55	217.90	214.15	210.20	207.15	202.65
.1911 - .2210	.1880	6	1	3	380914	380814	298.65	275.65	268.05	264.30	260.35	257.35	252.80
.2211 - .2530	.2193	6	1	3	380916	380816	302.30	279.35	271.80	267.95	264.05	260.95	256.45
.2531 - .2840	.2505	6	1 1/8	3 1/4	380918	380818	308.80	285.75	278.25	274.45	270.55	267.45	262.95
.2841 - .3150	.2817	6	1 1/8	3 1/4	380920	380820	313.90	291.00	283.40	279.55	275.65	272.55	268.05
.3151 - .3470	.3130	6	1 1/4	3 1/2	380922	380822	333.90	310.90	303.30	299.55	295.60	292.60	288.05
.3471 - .3780	.3443	6	1 1/4	3 1/2	380924	380824	341.00	318.00	310.45	306.65	302.75	299.65	295.15
.3781 - .4090	.3755	6	1 3/8	3 3/4	380926	380826	352.65	329.70	322.05	318.30	314.35	311.30	306.75

SOLID CARBIDE COOLANT FED CHUCKING REAMERS

TYPE 3817 - STRAIGHT SHANK - RIGHT SPIRAL FLUTES - BLIND HOLES - FOR NON-FERROUS
TYPE 3816 - STRAIGHT SHANK - RIGHT SPIRAL FLUTES - BLIND HOLES - FOR CAST IRON & STEEL

Short length series solid carbide coolant fed chucking reamers.
 Center coolant feeding hole for flushing chips back towards shank.



Tool diameter tolerance thru .2500": +.0002"/-.0000"
 over .2500": +.0003"/-.0000"

Shank diameter tolerance: +.0000"/-.0010"

For closer tool diameter tolerance pricing, see page 60.

CENTER FED COOLANT

DECIMAL SIZE RANGE	MAX. SHANK DIAM.	NO. OF FLTS.	LENGTH		NON-FERR. TYPE 3817 EDP NO.	C.I./STEEL TYPE 3816 EDP NO.	PRICE EACH - FINISHED TO DECIMAL SIZE						
			FLUTE	OAL			1 PC.	2 PC.	3 PC.	4 PC.	5-7	8-14	15+
.1121 - .1280	.1099	4	5/8	2 1/4	381708	381608	\$175.70	\$152.70	\$145.10	\$141.30	\$137.40	\$134.35	\$129.80
.1281 - .1435	.1255	4	3/4	2 1/2	381709	381609	176.85	153.90	146.25	142.60	138.55	135.60	131.10
.1436 - .1590	.1411	4	3/4	2 1/2	381710	381610	177.65	154.60	147.10	143.30	139.40	136.25	131.75
.1591 - .1750	.1567	4	7/8	2 3/4	381711	381611	179.30	156.40	148.80	144.95	141.10	137.95	133.45
.1751 - .1910	.1724	4	7/8	2 3/4	381712	381612	186.25	163.30	155.65	152.00	147.95	144.90	140.45
.1911 - .2210	.1880	6	1	3	381714	381614	188.90	165.95	158.30	154.50	150.60	147.55	143.00
.2211 - .2530	.2193	6	1	3	381716	381616	192.10	169.25	161.60	157.80	153.90	150.85	146.25
.2531 - .2840	.2505	6	1 1/8	3 1/4	381718	381618	197.45	174.55	166.95	163.20	159.25	156.10	151.70
.2841 - .3150	.2817	6	1 1/8	3 1/4	381720	381620	201.95	179.10	171.45	167.70	163.75	160.60	156.10
.3151 - .3470	.3130	6	1 1/4	3 1/2	381722	381622	207.55	184.55	176.95	173.20	169.30	166.20	161.70
.3471 - .3780	.3443	6	1 1/4	3 1/2	381724	381624	214.95	191.95	184.35	180.70	176.65	173.60	169.15
.3781 - .4090	.3755	6	1 3/8	3 3/4	381726	381626	224.80	201.80	194.20	190.45	186.50	183.45	179.00

TYPE 3829 - STRAIGHT SHANK - LEFT SPIRAL FLUTES - THROUGH HOLES - FOR NON-FERROUS
TYPE 3828 - STRAIGHT SHANK - LEFT SPIRAL FLUTES - THROUGH HOLES - FOR CAST IRON & STEEL

Short length series solid carbide coolant fed chucking reamers.
 Coolant feeding hole in each flute for flushing chips forward through the hole being reamed.



Tool diameter tolerance thru .2500": +.0002"/-.0000"
 over .2500": +.0003"/-.0000"

Shank diameter tolerance: +.0000"/-.0010"

For closer tool diameter tolerance pricing, see page 60.

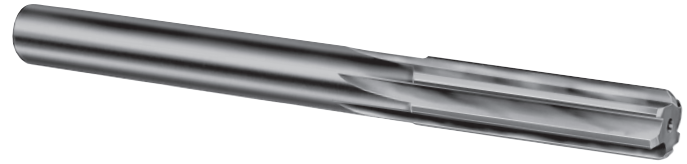
FLUTE FED COOLANT

DECIMAL SIZE RANGE	MAX. SHANK DIAM.	NO. OF FLTS.	LENGTH		NON-FERR. TYPE 3829 EDP NO.	C.I./STEEL TYPE 3828 EDP NO.	PRICE EACH - FINISHED TO DECIMAL SIZE						
			FLUTE	OAL			1 PC.	2 PC.	3 PC.	4 PC.	5-7	8-14	15+
.1121 - .1280	.1099	4	5/8	2 1/4	382908	382808	\$277.35	\$254.40	\$246.85	\$243.10	\$239.10	\$236.00	\$231.50
.1281 - .1435	.1255	4	3/4	2 1/2	382909	382809	278.90	255.90	248.30	244.60	240.55	237.50	233.00
.1436 - .1590	.1411	4	3/4	2 1/2	382910	382810	279.70	256.75	249.20	245.40	241.50	238.45	233.85
.1591 - .1750	.1567	4	7/8	2 3/4	382911	382811	281.70	258.65	251.10	247.35	243.40	240.35	235.85
.1751 - .1910	.1724	4	7/8	2 3/4	382912	382812	283.00	260.05	252.50	248.65	244.75	241.65	237.15
.1911 - .2210	.1880	6	1	3	382914	382814	365.95	342.95	335.35	331.60	327.65	324.65	320.15
.2211 - .2530	.2193	6	1	3	382916	382816	365.65	342.75	335.10	331.35	327.40	324.30	319.85
.2531 - .2840	.2505	6	1 1/8	3 1/4	382918	382818	372.05	349.05	341.45	337.80	333.75	330.70	326.25
.2841 - .3150	.2817	6	1 1/8	3 1/4	382920	382820	377.25	354.35	346.70	342.95	339.10	335.95	331.45
.3151 - .3470	.3130	6	1 1/4	3 1/2	382922	382822	397.15	374.25	366.60	362.80	358.90	355.80	351.30
.3471 - .3780	.3443	6	1 1/4	3 1/2	382924	382824	404.30	381.40	373.80	370.05	366.10	363.05	358.55
.3781 - .4090	.3755	6	1 3/8	3 3/4	382926	382826	416.20	393.15	385.60	381.90	377.90	374.85	370.35

SOLID CARBIDE CHUCKING REAMERS

TYPE 3804 - STRAIGHT SHANK STRAIGHT FLUTES - SHORT SERIES

For dimensional details for .0591" and above, see Types 3802/3803 on page 50.
For additional solid carbide reamer sizes (including wire #52-70), see page 55-58.
For reamer tolerances, see page 50. For closer tolerance pricing, see page 60.



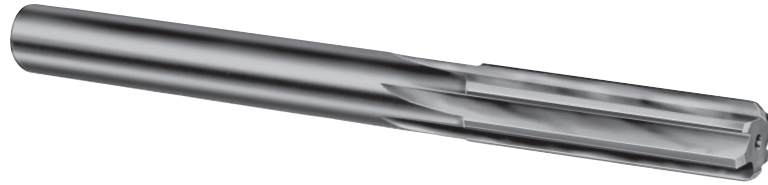
TOOL DIAMETER				EDP NO.	PRICE EACH	TOOL DIAMETER				EDP NO.	PRICE EACH	TOOL DIAMETER				EDP NO.	PRICE EACH
DECIMAL	FRAC.	WIRE LETTER	mm			DECIMAL	FRAC.	WIRE LETTER	mm			DECIMAL	FRAC.	WIRE LETTER	mm		
.0312	*1/32			380402	\$28.40	.1457			3.7	3804037	\$38.05	.2480			6.3	3804063	\$65.40
.0394			*1.0	3804010	27.15	.1470		26		38041470	38.75	.2500	1/4	E		380416	59.45
.0433			*1.1	3804011	29.85	.1495		25		38041495	39.00	.2520			6.4	3804064	72.05
.0469	*3/64			380403	30.05	.1496		3.8		3804038	40.95	.2559			6.5	3804065	71.95
.0472			*1.2	3804012	30.05	.1520		24		38041520	39.00	.2570		F		38042570	71.95
.0512			*1.3	3804013	30.05	.1535		3.9		3804039	40.60	.2598			6.6	3804066	75.45
.0551			*1.4	3804014	30.05	.1540		23		38041540	40.60	.2610		G		38042610	71.95
.0591			1.5	3804015	27.55	.1562	5/32			380410	38.40	.2638			6.7	3804067	75.45
.0625	1/16			380404	28.40	.1570		22		38041570	41.95	.2656	17/64			380417	71.95
.0630			1.6	3804016	30.85	.1575		4.0		3804040	38.40	.2660		H		38042660	71.95
.0669			1.7	3804017	31.15	.1590		21		38041590	43.05	.2677			6.8	3804068	75.45
.0670		51		38040670	31.15	.1610		20		38041610	43.65	.2717			6.9	3804069	75.45
.0700		50		38040700	31.15	.1614		4.1		3804041	43.65	.2720		I		38042720	71.95
.0709			1.8	3804018	31.15	.1654		4.2		3804042	43.80	.2756			7.0	3804070	65.70
.0730		49		38040730	31.15	.1660		19		38041660	43.80	.2770		J		38042770	71.95
.0748			1.9	3804019	31.15	.1693		4.3		3804043	44.35	.2795			7.1	3804071	81.95
.0760		48		38040760	31.15	.1695		18		38041695	44.35	.2810		K		38042810	78.00
.0781	3/64			380405	31.15	.1719	11/64			380411	45.15	.2812	9/32			380418	71.35
.0785		47		38040785	31.20	.1730		17		38041730	45.15	.2835			7.2	3804072	88.60
.0787			2.0	3804020	28.70	.1732		4.4		3804044	45.15	.2874			7.3	3804073	88.60
.0810		46		38040810	31.20	.1770		16		38041770	46.25	.2900		L		38042900	84.45
.0820		45		38040820	31.35	.1772		4.5		3804045	41.95	.2913			7.4	3804074	88.60
.0827			2.1	3804021	31.35	.1800		15		38041800	46.45	.2950		M		38042950	84.45
.0860		44		38040860	31.35	.1811		4.6		3804046	47.10	.2953			7.5	3804075	84.45
.0866			2.2	3804022	31.35	.1820		14		38041820	47.15	.2969	19/64			380419	84.45
.0890		43		38040890	31.90	.1850		13	4.7	3804047	47.45	.2992			7.6	3804076	92.40
.0906			2.3	3804023	31.90	.1875	3/16			380412	45.55	.3020		N		38043020	87.95
.0935		42		38040935	32.05	.1890		12	4.8	3804048	50.05	.3031			7.7	3804077	92.40
.0938	3/32			380406	29.55	.1910		11		38041910	50.65	.3071			7.8	3804078	92.40
.0945			2.4	3804024	32.05	.1929		4.9		3804049	50.65	.3110			7.9	3804079	92.40
.0960		41		38040960	32.65	.1935		10		38041935	50.95	.3125	5/16			380420	80.40
.0980		40		38040980	32.65	.1960		9		38041960	52.80	.3150			8.0	3804080	80.40
.0984			2.5	3804025	29.85	.1969		5.0		3804050	48.15	.3160		O		38043160	92.40
.0995		39		38040995	32.95	.1990		8		38041990	53.05	.3189			8.1	3804081	98.35
.1015		38		38041015	32.95	.2008		5.1		3804051	54.70	.3228			8.2	3804082	98.35
.1024			2.6	3804026	33.10	.2010		7		38042010	54.70	.3230		P		38043230	93.55
.1040		37		38041040	35.00	.2031	13/64			380413	54.70	.3268			8.3	3804083	112.45
.1063			2.7	3804027	33.25	.2040		6		38042040	54.70	.3281	21/64			380421	107.05
.1065		36		38041065	33.25	.2047		5.2		3804052	54.70	.3307			8.4	3804084	112.45
.1094	7/64			380407	34.35	.2055		5		38042055	54.70	.3320		Q		38043320	107.05
.1100		35		38041100	34.35	.2087		5.3		3804053	54.70	.3346			8.5	3804085	107.05
.1102			2.8	3804028	34.35	.2090		4		38042090	57.55	.3386			8.6	3804086	112.45
.1110		34		38041110	34.85	.2126		5.4		3804054	54.70	.3390		R		38043390	107.05
.1130		33		38041130	35.35	.2130		3		38042130	54.70	.3425			8.7	3804087	112.45
.1142			2.9	3804029	35.35	.2165		5.5		3804055	50.05	.3438	11/32			380422	107.05
.1160		32		38041160	35.35	.2188	7/32			380414	49.90	.3465			8.8	3804088	112.90
.1181			3.0	3804030	32.65	.2205		5.6		3804056	61.05	.3480		S		38043480	107.50
.1200		31		38041200	35.50	.2210		2		38042210	61.05	.3504			8.9	3804089	112.90
.1220			3.1	3804031	35.50	.2244		5.7		3804057	63.35	.3543			9.0	3804090	98.80
.1250	1/8			380408	32.65	.2280		1		38042280	64.10	.3580		T		38043580	107.95
.1260			3.2	3804032	35.50	.2283		5.8		3804058	64.10	.3583			9.1	3804091	114.00
.1285		30		38041285	35.55	.2323		5.9		3804059	64.10	.3594	23/64			380423	108.50
.1299			3.3	3804033	35.55	.2340		A		38042340	64.10	.3622			9.2	3804092	115.35
.1339			3.4	3804034	35.55	.2344	15/64			380415	64.10	.3661			9.3	3804093	115.35
.1360		29		38041360	35.55	.2362		6.0		3804060	59.45	.3680		U		38043680	109.85
.1378			3.5	3804035	33.10	.2380		B		38042380	65.40	.3701			9.4	3804094	116.00
.1405		28		38041405	36.00	.2402		6.1		3804061	65.40	.3740			9.5	3804095	110.55
.1406	9/64			380409	37.15	.2420		C		38042420	65.40	.3750	3/8			380424	101.15
.1417			3.6	3804036	37.70	.2441		6.2		3804062	65.40	.3770		V		38043770	131.25
.1440		27		38041440	37.70	.2460		D		38042460	65.40	.3780			9.6	3804096	138.05

LEXINGTON CUTTER, INC. • sales@lexingtoncutter.com • Phone 800-882-2627 • Fax 800-882-3637

SOLID CARBIDE DECIMAL SIZE CHUCKING REAMERS

**TYPE 3804 - SOLID CARBIDE - STRAIGHT FLUTES - SHORT LENGTH
STANDARD DECIMAL DIAMETER REAMERS (.0005" INCREMENTS)
THIS PAGE .0280" THRU .1475"**

Short length solid carbide head and shank. Tool geometry appropriate for material being machined. For fractional, wire and letter sizes, see page 50.



Tool diameter tolerance thru .2500": +.0002"/-.0000".
over .2500": +.0003"/-.0000".

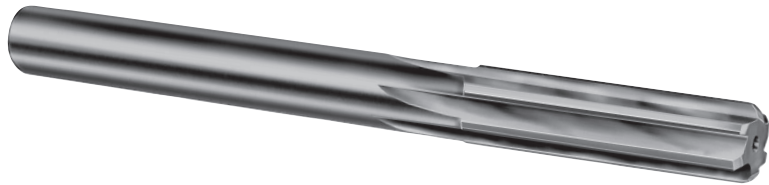
Shank diameter tolerance: +.0000"/-.0010".

DECIMAL SIZE	EDP NO.	PRICE EACH	DECIMAL SIZE	EDP NO.	PRICE EACH	DECIMAL SIZE	EDP NO.	PRICE EACH	DECIMAL SIZE	EDP NO.	PRICE EACH	DECIMAL SIZE	EDP NO.	PRICE EACH
.0280	38040280	\$30.85	.0520	38040520	\$30.05	.0760	38040760	\$31.15	.1000	38041000	\$34.55	.1240	38041240	\$37.30
.0285	38040285	32.50	.0525	38040525	31.65	.0765	38040765	32.65	.1005	38041005	34.55	.1245	38041245	37.30
.0290	38040290	32.50	.0530	38040530	31.65	.0770	38040770	32.65	.1010	38041010	34.55	.1250	38041250	32.65
.0295	38040295	30.85	.0535	38040535	31.65	.0775	38040775	32.65	.1015	38041015	32.95	.1255	38041255	37.30
.0300	38040300	32.50	.0540	38040540	31.65	.0780	38040780	32.65	.1020	38041020	34.85	.1260	3804032	35.50
.0305	38040305	32.50	.0545	38040545	31.65	.0785	38040785	31.20	.1025	38041025	35.00	.1265	38041265	37.45
.0310	38040310	30.85	.0550	38040550	30.05	.0790	38040790	32.80	.1030	38041030	35.00	.1270	38041270	37.45
.0315	3804008	30.85	.0555	38040555	31.65	.0795	38040795	32.80	.1035	38041035	35.00	.1275	38041275	37.45
.0320	38040320	30.85	.0560	38040560	31.65	.0800	38040800	32.80	.1040	38041040	35.00	.1280	38041280	35.55
.0325	38040325	32.50	.0565	38040565	31.65	.0805	38040805	32.80	.1045	38041045	35.00	.1285	38041285	35.55
.0330	38040330	30.85	.0570	38040570	31.65	.0810	38040810	31.20	.1050	38041050	35.00	.1290	38041290	37.45
.0335	38040335	30.85	.0575	38040575	31.65	.0815	38040815	32.95	.1055	38041055	35.00	.1295	38041295	37.45
.0340	38040340	31.35	.0580	38040580	31.65	.0820	38040820	31.35	.1060	38041060	35.00	.1300	38041300	37.45
.0345	38040345	31.35	.0585	38040585	31.65	.0825	38040825	32.95	.1065	38041065	33.25	.1305	38041305	37.45
.0350	38040350	29.85	.0590	38040590	27.55	.0830	38040830	32.95	.1070	38041070	35.55	.1310	38041310	37.45
.0355	38040355	31.35	.0595	38040595	30.05	.0835	38040835	32.95	.1075	38041075	35.55	.1315	38041315	37.45
.0360	38040360	29.85	.0600	38040600	32.50	.0840	38040840	32.95	.1080	38041080	35.55	.1320	38041320	37.45
.0365	38040365	31.35	.0605	38040605	32.50	.0845	38040845	32.95	.1085	38041085	36.00	.1325	38041325	37.45
.0370	38040370	29.85	.0610	38040610	30.85	.0850	38040850	32.95	.1090	38041090	36.00	.1330	38041330	37.45
.0375	38040375	31.35	.0615	38040615	32.50	.0855	38040855	32.95	.1095	38041095	36.00	.1335	38041335	37.45
.0380	38040380	29.85	.0620	38040620	32.50	.0860	38040860	31.35	.1100	38041100	34.35	.1340	38041340	37.45
.0385	38040385	31.35	.0625	380404	28.40	.0865	38040865	32.95	.1105	38041105	36.55	.1345	38041345	37.45
.0390	38040390	29.85	.0630	3804016	30.85	.0870	38040870	32.95	.1110	38041110	34.85	.1350	38041350	37.45
.0395	38040395	31.35	.0635	38040635	30.85	.0875	38040875	32.95	.1115	38041115	37.15	.1355	38041355	37.45
.0400	38040400	29.85	.0640	38040640	32.50	.0880	38040880	32.95	.1120	38041120	37.15	.1360	38041360	35.55
.0405	38040405	31.35	.0645	38040645	32.50	.0885	38040885	32.95	.1125	38041125	37.15	.1365	38041365	37.45
.0410	38040410	29.85	.0650	38040650	32.65	.0890	38040890	31.90	.1130	38041130	35.35	.1370	38041370	37.45
.0415	38040415	31.35	.0655	38040655	32.65	.0895	38040895	33.70	.1135	38041135	37.15	.1375	38041375	37.45
.0420	38040420	29.85	.0660	38040660	32.65	.0900	38040900	33.70	.1140	38041140	37.15	.1380	38041380	38.05
.0425	38040425	31.35	.0665	38040665	32.65	.0905	38040905	33.70	.1145	38041145	37.15	.1385	38041385	38.05
.0430	38040430	29.85	.0670	38040670	31.15	.0910	38040910	33.90	.1150	38041150	37.15	.1390	38041390	38.05
.0435	38040435	31.65	.0675	38040675	32.65	.0915	38040915	33.90	.1155	38041155	37.15	.1395	38041395	38.05
.0440	38040440	31.65	.0680	38040680	32.65	.0920	38040920	33.90	.1160	38041160	35.35	.1400	38041400	38.05
.0445	38040445	31.65	.0685	38040685	32.65	.0925	38040925	32.05	.1165	38041165	37.15	.1405	38041405	36.00
.0450	38040450	31.65	.0690	38040690	32.65	.0930	38040930	33.90	.1170	38041170	37.15	.1410	38041410	39.50
.0455	38040455	31.65	.0695	38040695	32.65	.0935	38040935	32.05	.1175	38041175	37.15	.1415	38041415	39.50
.0460	38040460	31.65	.0700	38040700	31.15	.0940	38040940	33.90	.1180	38041180	37.15	.1420	38041420	39.50
.0465	38040465	30.05	.0705	38040705	32.65	.0945	3804024	32.05	.1185	38041185	37.30	.1425	38041425	39.50
.0470	38040470	31.65	.0710	38040710	32.65	.0950	38040950	34.35	.1190	38041190	37.30	.1430	38041430	39.50
.0475	38040475	31.65	.0715	38040715	32.65	.0955	38040955	34.35	.1195	38041195	37.30	.1435	38041435	39.50
.0480	38040480	31.65	.0720	38040720	32.65	.0960	38040960	32.65	.1200	38041200	35.50	.1440	38041440	37.70
.0485	38040485	31.65	.0725	38040725	32.65	.0965	38040965	32.65	.1205	38041205	37.30	.1445	38041445	39.75
.0490	38040490	31.65	.0730	38040730	31.15	.0970	38040970	34.35	.1210	38041210	37.30	.1450	38041450	39.85
.0495	38040495	31.65	.0735	38040735	32.65	.0975	38040975	34.35	.1215	38041215	37.30	.1455	38041455	39.85
.0500	38040500	31.65	.0740	38040740	32.65	.0980	38040980	32.65	.1220	3804031	35.50	.1460	38041460	40.90
.0505	38040505	31.65	.0745	38040745	32.65	.0985	38040985	34.55	.1225	38041225	37.30	.1465	38041465	40.90
.0510	38040510	31.65	.0750	38040750	32.65	.0990	38040990	34.55	.1230	38041230	37.30	.1470	38041470	38.75
.0515	38040515	31.65	.0755	38040755	32.65	.0995	38040995	32.95	.1235	38041235	37.30	.1475	38041475	40.90

SOLID CARBIDE DECIMAL SIZE CHUCKING REAMERS

**TYPE 3804 - SOLID CARBIDE - STRAIGHT FLUTES - SHORT LENGTH
STANDARD DECIMAL DIAMETER REAMERS (.0005" INCREMENTS)
THIS PAGE .1480" THRU .2675"**

Short length solid carbide head and shank. Tool geometry appropriate for material being machined.
For fractional, wire and letter sizes, see page 54.



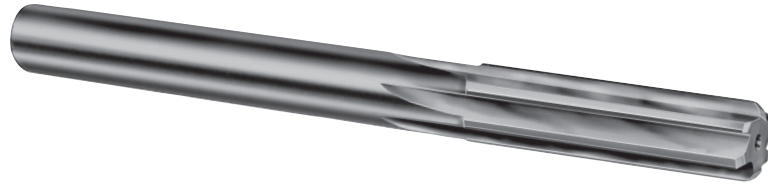
Tool diameter tolerance thru .2500": +.0002"/-.0000".
over .2500": +.0003"/-.0000".
Shank diameter tolerance: +.0000"/-.0010".

DECIMAL SIZE	EDP NO.	PRICE EACH	DECIMAL SIZE	EDP NO.	PRICE EACH	DECIMAL SIZE	EDP NO.	PRICE EACH	DECIMAL SIZE	EDP NO.	PRICE EACH	DECIMAL SIZE	EDP NO.	PRICE EACH
.1480	38041480	\$40.95	.1720	38041720	\$47.45	.1960	38041960	\$52.80	.2200	38042200	\$64.30	.2440	38042440	\$68.65
.1485	38041485	40.95	.1725	38041725	47.45	.1965	38041965	55.30	.2205	3804056	61.05	.2445	38042445	68.65
.1490	38041490	40.95	.1730	38041730	45.15	.1970	38041970	55.85	.2210	38042210	61.05	.2450	38042450	68.65
.1495	38041495	39.00	.1735	38041735	48.15	.1975	38041975	55.85	.2215	38042215	66.85	.2455	38042455	68.65
.1500	38041500	40.95	.1740	38041740	48.15	.1980	38041980	55.85	.2220	38042220	66.85	.2460	38042460	65.40
.1505	38041505	40.95	.1745	38041745	48.15	.1985	38041985	55.85	.2225	38042225	66.85	.2465	38042465	68.65
.1510	38041510	40.95	.1750	38041750	48.15	.1990	38041990	53.05	.2230	38042230	66.85	.2470	38042470	68.65
.1515	38041515	40.95	.1755	38041755	48.70	.1995	38041995	57.55	.2235	38042235	66.85	.2475	38042475	68.65
.1520	38041520	39.00	.1760	38041760	48.70	.2000	38042000	57.55	.2240	38042240	66.85	.2480	3804063	65.40
.1525	38041525	42.75	.1765	38041765	48.70	.2005	38042005	57.55	.2245	38042245	66.85	.2485	38042485	68.65
.1530	38041530	42.75	.1770	38041770	46.25	.2010	38042010	54.70	.2250	38042250	66.85	.2490	38042490	68.65
.1535	3804039	40.60	.1775	38041775	48.75	.2015	38042015	57.55	.2255	38042255	66.85	.2495	38042495	68.65
.1540	38041540	40.60	.1780	38041780	48.75	.2020	38042020	57.55	.2260	38042260	66.85	.2500	380416	59.45
.1545	38041545	42.75	.1785	38041785	48.75	.2025	38042025	57.55	.2265	38042265	67.55	.2505	38042505	68.65
.1550	38041550	42.75	.1790	38041790	48.75	.2030	38042030	57.55	.2270	38042270	67.55	.2510	38042510	68.65
.1555	38041555	40.60	.1795	38041795	48.75	.2035	38042035	57.55	.2275	38042275	67.55	.2515	38042515	68.65
.1560	38041560	42.75	.1800	38041800	46.45	.2040	38042040	54.70	.2280	38042280	64.10	.2520	3804064	72.05
.1565	38041565	44.25	.1805	38041805	49.15	.2045	38042045	57.55	.2285	38042285	67.55	.2525	38042525	72.05
.1570	38041570	41.95	.1810	38041810	49.20	.2050	38042050	57.55	.2290	38042290	67.55	.2530	38042530	68.65
.1575	3804040	38.40	.1815	38041815	49.50	.2055	38042055	54.70	.2295	38042295	67.55	.2535	38042535	75.85
.1580	38041580	45.15	.1820	38041820	47.15	.2060	38042060	57.55	.2300	38042300	67.55	.2540	38042540	75.85
.1585	38041585	45.15	.1825	38041825	49.75	.2065	38042065	57.55	.2305	38042305	67.55	.2545	38042545	75.85
.1590	38041590	43.05	.1830	38041830	49.75	.2070	38042070	57.55	.2310	38042310	67.55	.2550	38042550	75.85
.1595	38041595	45.95	.1835	38041835	49.90	.2075	38042075	57.55	.2315	38042315	67.55	.2555	38042555	75.85
.1600	38041600	45.95	.1840	38041840	49.90	.2080	38042080	57.55	.2320	38042320	67.55	.2560	38042560	75.85
.1605	38041605	45.95	.1845	38041845	49.90	.2085	38042085	57.55	.2325	38042325	67.55	.2565	38042565	75.85
.1610	38041610	43.65	.1850	3804047	47.45	.2090	38042090	57.55	.2330	38042330	67.55	.2570	38042570	71.95
.1615	38041615	45.95	.1855	38041855	52.50	.2095	38042095	57.55	.2335	38042335	67.55	.2575	38042575	75.85
.1620	38041620	45.95	.1860	38041860	52.50	.2100	38042100	57.55	.2340	38042340	64.10	.2580	38042580	75.85
.1625	38041625	45.95	.1865	38041865	52.50	.2105	38042105	57.55	.2345	38042345	67.55	.2585	38042585	75.85
.1630	38041630	45.95	.1870	38041870	50.05	.2110	38042110	57.55	.2350	38042350	67.55	.2590	38042590	75.85
.1635	38041635	46.10	.1875	380412	45.55	.2115	38042115	57.55	.2355	38042355	67.55	.2595	38042595	75.85
.1640	38041640	45.95	.1880	38041880	52.65	.2120	38042120	57.55	.2360	38042360	67.55	.2600	38042600	75.85
.1645	38041645	45.95	.1885	38041885	52.65	.2125	38042125	57.55	.2365	38042365	68.65	.2605	38042605	75.85
.1650	38041650	45.95	.1890	3804048	50.05	.2130	38042130	54.70	.2370	38042370	68.65	.2610	38042610	71.95
.1655	38041655	45.95	.1895	38041895	53.20	.2135	38042135	57.55	.2375	38042375	68.65	.2615	38042615	75.85
.1660	38041660	43.80	.1900	38041900	53.20	.2140	38042140	57.55	.2380	38042380	65.40	.2620	38042620	75.85
.1665	38041665	46.45	.1905	38041905	53.20	.2145	38042145	57.55	.2385	38042385	68.65	.2625	38042625	75.85
.1670	38041670	46.45	.1910	38041910	50.65	.2150	38042150	57.55	.2390	38042390	68.65	.2630	38042630	75.85
.1675	38041675	46.45	.1915	38041915	53.35	.2155	38042155	57.55	.2395	38042395	68.65	.2635	38042635	75.85
.1680	38041680	46.45	.1920	38041920	53.35	.2160	38042160	57.55	.2400	38042400	68.65	.2640	38042640	75.85
.1685	38041685	46.45	.1925	38041925	53.35	.2165	3804055	50.05	.2405	38042405	68.65	.2645	38042645	75.85
.1690	38041690	46.45	.1930	38041930	53.85	.2170	38042170	57.55	.2410	38042410	68.65	.2650	38042650	75.85
.1695	38041695	44.35	.1935	38041935	50.95	.2175	38042175	57.55	.2415	38042415	68.65	.2655	38042655	75.85
.1700	38041700	47.45	.1940	38041940	53.85	.2180	38042180	57.55	.2420	38042420	65.40	.2660	38042660	71.95
.1705	38041705	47.45	.1945	38041945	53.85	.2185	38042185	54.70	.2425	38042425	68.65	.2665	38042665	75.85
.1710	38041710	47.45	.1950	38041950	55.30	.2190	38042190	64.30	.2430	38042430	68.65	.2670	38042670	75.85
.1715	38041715	47.45	.1955	38041955	55.30	.2195	38042195	64.30	.2435	38042435	68.65	.2675	38042675	75.85

SOLID CARBIDE DECIMAL SIZE CHUCKING REAMERS

**TYPE 3804 - SOLID CARBIDE - STRAIGHT FLUTES - SHORT LENGTH
STANDARD DECIMAL DIAMETER REAMERS (.0005" INCREMENTS)
THIS PAGE .2680" THRU .3875"**

Short length solid carbide head and shank. Tool geometry appropriate for material being machined. For fractional, wire and letter sizes, see page 54.



Tool diameter tolerance thru .2500": +.0002"/-.0000".
over .2500": +.0003"/-.0000".

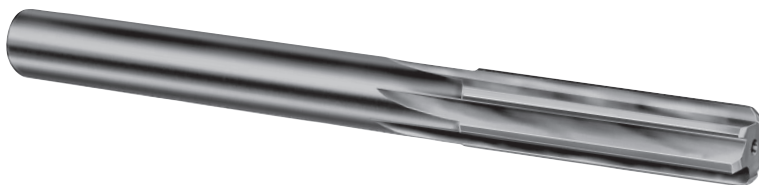
Shank diameter tolerance: +.0000"/-.0010".

DECIMAL SIZE	EDP NO.	PRICE EACH	DECIMAL SIZE	EDP NO.	PRICE EACH	DECIMAL SIZE	EDP NO.	PRICE EACH	DECIMAL SIZE	EDP NO.	PRICE EACH	DECIMAL SIZE	EDP NO.	PRICE EACH
.2680	38042680	\$75.85	.2920	38042920	\$88.80	.3160	38043160	\$92.40	.3400	38043400	\$112.70	.3640	38043640	\$115.60
.2685	38042685	75.85	.2925	38042925	88.80	.3165	38043165	98.45	.3405	38043405	112.70	.3645	38043645	115.60
.2690	38042690	75.85	.2930	38042930	88.80	.3170	38043170	98.45	.3410	38043410	112.70	.3650	38043650	115.60
.2695	38042695	75.85	.2935	38042935	88.80	.3175	38043175	98.45	.3415	38043415	112.70	.3655	38043655	115.60
.2700	38042700	75.85	.2940	38042940	88.80	.3180	38043180	98.45	.3420	38043420	112.70	.3660	38043660	115.60
.2705	38042705	75.85	.2945	38042945	88.80	.3185	38043185	98.45	.3425	3804087	112.45	.3665	38043665	115.60
.2710	38042710	75.85	.2950	38042950	84.45	.3190	38043190	98.45	.3430	38043430	112.70	.3670	38043670	115.60
.2715	38042715	75.85	.2955	38042955	88.80	.3195	38043195	98.45	.3435	38043435	112.70	.3675	38043675	115.60
.2720	38042720	71.95	.2960	38042960	88.80	.3200	38043200	98.45	.3440	38043440	112.90	.3680	38043680	109.85
.2725	38042725	75.85	.2965	38042965	88.80	.3205	38043205	98.45	.3445	38043445	112.90	.3685	38043685	116.65
.2730	38042730	75.85	.2970	38042970	92.40	.3210	38043210	98.45	.3450	38043450	112.90	.3690	38043690	116.95
.2735	38042735	75.85	.2975	38042975	92.40	.3215	38043215	98.45	.3455	38043455	112.90	.3695	38043695	116.65
.2740	38042740	75.85	.2980	38042980	92.40	.3220	38043220	98.45	.3460	38043460	112.90	.3700	38043700	116.65
.2745	38042745	75.85	.2985	38042985	92.40	.3225	38043225	98.45	.3465	3804088	112.90	.3705	38043705	116.65
.2750	38042750	75.85	.2990	38042990	92.40	.3230	38043230	93.55	.3470	38043470	112.90	.3710	38043710	116.65
.2755	38042755	75.85	.2995	38042995	92.40	.3235	38043235	98.45	.3475	38043475	112.90	.3715	38043715	116.65
.2760	38042760	75.85	.3000	38043000	92.40	.3240	38043240	112.70	.3480	38043480	107.50	.3720	38043720	116.65
.2765	38042765	75.85	.3005	38043005	92.40	.3245	38043245	112.70	.3485	38043485	112.90	.3725	38043725	116.65
.2770	38042770	71.95	.3010	38043010	92.40	.3250	38043250	112.70	.3490	38043490	112.90	.3730	38043730	116.65
.2775	38042775	75.85	.3015	38043015	92.40	.3255	38043255	112.70	.3495	38043495	112.90	.3735	38043735	116.65
.2780	38042780	82.00	.3020	38043020	87.95	.3260	38043260	112.70	.3500	38043500	112.90	.3740	3804095	110.55
.2785	38042785	82.00	.3025	38043025	92.40	.3265	38043265	112.70	.3505	38043505	112.90	.3745	38043745	116.65
.2790	38042790	82.00	.3030	38043030	92.40	.3270	38043270	112.70	.3510	38043510	112.90	.3750	380424	101.15
.2795	3804071	81.95	.3035	38043035	92.40	.3275	38043275	112.70	.3515	38043515	112.90	.3755	38043755	138.25
.2800	38042800	82.00	.3040	38043040	92.40	.3280	38043280	112.70	.3520	38043520	112.90	.3760	38043760	138.40
.2805	38042805	82.00	.3045	38043045	92.40	.3285	38043285	112.70	.3525	38043525	112.90	.3765	38043765	138.25
.2810	38042810	78.00	.3050	38043050	92.40	.3290	38043290	112.70	.3530	38043530	112.90	.3770	38043770	131.25
.2815	38042815	82.00	.3055	38043055	92.40	.3295	38043295	112.70	.3535	38043535	112.90	.3775	38043775	138.25
.2820	38042820	88.80	.3060	38043060	92.40	.3300	38043300	112.70	.3540	38043540	112.90	.3780	3804096	138.05
.2825	38042825	88.80	.3065	38043065	92.40	.3305	38043305	112.70	.3545	38043545	112.90	.3785	38043785	138.25
.2830	38042830	88.80	.3070	38043070	92.40	.3310	38043310	108.80	.3550	38043550	113.45	.3790	38043790	138.25
.2835	3804072	88.60	.3075	38043075	92.40	.3315	38043315	112.70	.3555	38043555	113.45	.3795	38043795	138.25
.2840	38042840	88.80	.3080	38043080	92.40	.3320	38043320	107.05	.3560	38043560	113.45	.3800	38043800	138.25
.2845	38042845	88.80	.3085	38043085	92.40	.3325	38043325	112.70	.3565	38043565	113.45	.3805	38043805	138.25
.2850	38042850	88.80	.3090	38043090	92.40	.3330	38043330	112.70	.3570	38043570	113.45	.3810	38043810	138.25
.2855	38042855	88.80	.3095	38043095	92.40	.3335	38043335	112.70	.3575	38043575	113.45	.3815	38043815	138.25
.2860	38042860	88.80	.3100	38043100	92.40	.3340	38043340	112.70	.3580	38043580	107.95	.3820	38043820	138.25
.2865	38042865	88.80	.3105	38043105	92.40	.3345	38043345	112.70	.3585	38043585	113.45	.3825	38043825	138.25
.2870	38042870	88.80	.3110	3804079	92.40	.3350	38043350	112.70	.3590	38043590	114.30	.3830	38043830	138.25
.2875	38042875	88.80	.3115	38043115	92.40	.3355	38043355	112.70	.3595	38043595	115.60	.3835	38043835	138.25
.2880	38042880	88.80	.3120	38043120	92.40	.3360	38043360	112.70	.3600	38043600	115.60	.3840	38043840	138.25
.2885	38042885	88.80	.3125	380420	80.40	.3365	38043365	112.70	.3605	38043605	115.60	.3845	38043845	138.25
.2890	38042890	88.80	.3130	38043130	92.40	.3370	38043370	112.70	.3610	38043610	115.60	.3850	38043850	138.25
.2895	38042895	88.80	.3135	38043135	92.40	.3375	38043375	112.70	.3615	38043615	115.60	.3855	38043855	138.25
.2900	38042900	84.45	.3140	38043140	92.40	.3380	38043380	112.70	.3620	38043620	115.60	.3860	38043860	131.60
.2905	38042905	88.80	.3145	38043145	92.40	.3385	38043385	112.70	.3625	38043625	115.60	.3865	38043865	145.35
.2910	38042910	88.80	.3150	3804080	80.40	.3390	38043390	107.05	.3630	38043630	115.60	.3870	38043870	145.35
.2915	38042915	88.80	.3155	38043155	92.40	.3395	38043395	112.70	.3635	38043635	115.60	.3875	38043875	145.35

SOLID CARBIDE DECIMAL SIZE CHUCKING REAMERS

**TYPE 3804 - SOLID CARBIDE - STRAIGHT FLUTES - SHORT LENGTH
STANDARD DECIMAL DIAMETER REAMERS (.0005" INCREMENTS)
THIS PAGE .3880" THRU .5150"**

Short length solid carbide head and shank. Tool geometry appropriate for material being machined.
For fractional, wire and letter sizes, see page 54.



Tool diameter tolerance thru .2500": +.0002"/-.0000".
over .2500": +.0003"/-.0000".
Shank diameter tolerance: +.0000"/-.0010".

DECIMAL SIZE	EDP NO.	PRICE EACH	DECIMAL SIZE	EDP NO.	PRICE EACH	DECIMAL SIZE	EDP NO.	PRICE EACH	DECIMAL SIZE	EDP NO.	PRICE EACH	DECIMAL SIZE	EDP NO.	PRICE EACH
.3880	38043880	\$145.35	.4135	38044135	\$149.25	.4390	38044390	\$163.45	.4645	38044645	\$163.45	.4910	38044910	\$177.85
.3885	38043885	145.35	.4140	38044140	149.25	.4395	38044395	163.45	.4650	38044650	163.45	.4915	38044915	177.85
.3890	38043890	145.35	.4145	38044145	149.25	.4400	38044400	163.45	.4655	38044655	163.45	.4920	38044920	177.85
.3895	38043895	145.35	.4150	38044150	149.25	.4405	38044405	163.45	.4660	38044660	163.45	.4925	38044925	177.85
.3900	38043900	145.35	.4155	38044155	149.25	.4410	38044410	163.45	.4665	38044665	163.45	.4930	38044930	177.85
.3905	38043905	145.35	.4160	38044160	149.25	.4415	38044415	163.45	.4670	38044670	163.45	.4935	38044935	177.85
.3910	38043910	145.35	.4165	38044165	149.25	.4420	38044420	163.45	.4675	38044675	163.45	.4940	38044940	177.85
.3915	38043915	145.35	.4170	38044170	149.25	.4425	38044425	163.45	.4680	38044680	163.45	.4945	38044945	177.85
.3920	38043920	145.35	.4175	38044175	149.25	.4430	38044430	163.45	.4685	3804119	163.45	.4950	38044950	177.85
.3925	38043925	145.35	.4180	38044180	149.25	.4435	38044435	163.45	.4690	38044690	163.45	.4955	38044955	177.85
.3930	38043930	145.35	.4185	38044185	149.25	.4440	38044440	163.45	.4695	38044695	163.45	.4960	38044960	177.85
.3935	38043935	145.35	.4190	38044190	149.25	.4445	38044445	163.45	.4700	38044700	163.45	.4965	38044965	177.85
.3940	38043940	145.35	.4195	38044195	149.25	.4450	38044450	163.45	.4705	38044705	163.45	.4970	38044970	177.85
.3945	38043945	145.35	.4200	38044200	149.25	.4455	38044455	163.45	.4710	38044710	163.45	.4975	38044975	177.85
.3950	38043950	145.35	.4205	38044205	149.25	.4460	38044460	163.45	.4715	38044715	163.45	.4980	38044980	177.85
.3955	38043955	145.35	.4210	38044210	149.25	.4465	38044465	163.45	.4720	38044720	163.45	.4985	38044985	177.85
.3960	38043960	145.35	.4215	38044215	149.25	.4470	38044470	163.45	.4725	38044725	177.85	.4990	38044990	177.85
.3965	38043965	145.35	.4220	38044220	149.25	.4475	38044475	163.45	.4730	38044730	177.85	.4995	38044995	168.25
.3970	38043970	138.40	.4225	38044225	149.25	.4480	38044480	163.45	.4735	38044735	177.85	.5000	380432	168.25
.3975	38043975	145.35	.4230	38044230	149.25	.4485	38044485	163.45	.4740	38044740	177.85	.5005	38045005	211.10
.3980	38043980	145.35	.4235	38044235	149.25	.4490	38044490	163.45	.4745	38044745	177.85	.5010	38045010	211.10
.3985	38043985	145.35	.4240	38044240	149.25	.4495	38044495	163.45	.4750	38044750	177.85	.5015	38045015	211.10
.3990	38043990	145.35	.4245	38044245	149.25	.4500	38044500	163.45	.4755	38044755	177.85	.5020	38045020	211.10
.3995	38043995	145.35	.4250	38044250	149.25	.4505	38044505	163.45	.4760	38044760	177.85	.5025	38045025	211.10
.4000	38044000	145.35	.4255	38044255	149.25	.4510	38044510	163.45	.4765	38044765	177.85	.5030	38045030	211.10
.4005	38044005	145.35	.4260	38044260	149.25	.4515	38044515	163.45	.4770	38044770	177.85	.5035	38045035	211.10
.4010	38044010	145.35	.4265	38044265	149.25	.4520	38044520	163.45	.4775	38044775	177.85	.5040	38045040	211.10
.4015	38044015	145.35	.4270	38044270	149.25	.4525	38044525	163.45	.4780	38044780	177.85	.5045	38045045	211.10
.4020	38044020	145.35	.4275	38044275	149.25	.4530	38044530	163.45	.4785	38044785	177.85	.5050	38045050	211.10
.4025	38044025	145.35	.4280	38044280	149.25	.4535	38044535	163.45	.4790	38044790	177.85	.5055	38045055	211.10
.4030	38044030	145.35	.4285	38044285	149.25	.4540	38044540	163.45	.4795	38044795	177.85	.5060	38045060	211.10
.4035	38044035	145.35	.4290	38044290	149.25	.4545	38044545	163.45	.4800	38044800	177.85	.5065	38045065	211.10
.4040	38044040	138.40	.4295	38044295	149.25	.4550	38044550	163.45	.4805	38044805	177.85	.5070	38045070	211.10
.4045	38044045	145.35	.4300	38044300	149.25	.4555	38044555	163.45	.4810	38044810	177.85	.5075	38045075	211.10
.4050	38044050	145.35	.4305	38044305	149.25	.4560	38044560	163.45	.4815	38044815	177.85	.5080	38045080	211.10
.4055	3804103	145.35	.4310	38044310	149.25	.4565	38044565	163.45	.4820	38044820	177.85	.5085	38045085	211.10
.4060	38044060	145.35	.4315	38044315	149.25	.4570	38044570	163.45	.4835	38044835	177.85	.5090	38045090	211.10
.4065	38044065	145.35	.4320	38044320	149.25	.4575	38044575	163.45	.4840	38044840	177.85	.5095	38045095	211.10
.4070	38044070	145.35	.4325	38044325	149.25	.4580	38044580	163.45	.4845	38044845	177.85	.5100	38045100	211.10
.4075	38044075	145.35	.4330	38044330	149.25	.4585	38044585	163.45	.4850	38044850	177.85	.5105	38045105	211.10
.4080	38044080	145.35	.4335	38044335	149.25	.4590	38044590	163.45	.4855	38044855	177.85	.5110	38045110	211.10
.4085	38044085	145.35	.4340	38044340	149.25	.4595	38044595	163.45	.4860	38044860	177.85	.5115	38045115	211.10
.4090	38044090	145.35	.4345	38044345	149.25	.4600	38044600	163.45	.4865	38044865	177.85	.5120	38045120	211.10
.4095	38044095	145.35	.4350	38044350	149.25	.4605	38044605	163.45	.4870	38044870	177.85	.5125	38045125	211.10
.4100	38044100	145.35	.4355	38044355	149.25	.4610	38044610	163.45	.4875	38044875	177.85	.5130	38045130	211.10
.4105	38044105	145.35	.4360	38044360	149.25	.4615	38044615	163.45	.4880	38044880	177.85	.5135	38045135	211.10
.4110	38044110	145.35	.4365	38044365	149.25	.4620	38044620	163.45	.4885	38044885	177.85	.5140	38045140	211.10
.4115	38044115	145.35	.4370	3804111	149.25	.4625	38044625	163.45	.4890	38044890	177.85	.5145	38045145	211.10
.4120	38044120	145.35	.4375	380428	142.05	.4630	38044630	163.45	.4895	38044895	177.85	.5150	38045150	211.10
.4125	38044125	145.35	.4380	38044380	163.45	.4635	38044635	163.45	.4900	38044900	177.85	-	-	-
.4130	38044130	138.40	.4385	38044385	163.45	.4640	38044640	163.45	.4905	38044905	177.85	-	-	-

FEEDS & SPEEDS CHARTS FOR REAMERS - CARBIDE TIPPED

Feeds & speeds are a starting recommendation only. Factors such as machine, fixture and tooling rigidity, horsepower available, coolant application and others will affect the performance significantly. Please read machine operators instructions and use all safety shields and glasses before performing these operations.



$$\text{IPM} = \text{RPM} * \text{IPR}$$

$$\text{RPM} = \text{SFPM} * 3.82 / \text{Cutter Diameter}$$

CLASSIFICATION	MATERIAL	BRINELL	SPEED IN SFPM	FEED RATE (INCHES PER REVOLUTION)					HOLE DIAMETER IN INCHES			
				GENERAL PURPOSE (G.P.)	1/8	1/4	3/8	1/2	5/8	3/4	1	1 1/4
NON-FERROUS (SOFT)	ALUMINUM ALLOY - CAST WROUGHT	30 - 150*	150 - 250	.004	.006	.008	.011	.012	.013	.016	.019	.020
	MAGNESIUM ALLOY	50 - 90*	130 - 190	.005	.010	.012	.015	.016	.017	.020	.022	.025
	LEAD ALLOY	10 - 20*	150 - 250	.002	.006	.008	.012	.014	.015	.018	.021	.022
	NON-METAL AND PLASTIC	-	90 - 250	.004	.005	.007	.008	.009	.012	.014	.016	.018
	ZINC ALLOY - DIE CAST	80 - 100	140 - 210	.005	.007	.008	.010	.011	.012	.015	.018	.020
NON-FERROUS (HARD)	ALUMINUM BRONZE	40 - 175	50 - 90	.004	.006	.010	.012	.014	.016	.018	.020	.022
	BRASS ALLOY - LEADED AND FREE CUTTING	10 - 100Rb	100 - 250	.005	.008	.011	.015	.017	.018	.020	.022	.025
	NICKEL SILVER	10 - 100Rb	50 - 90	.004	.006	.008	.010	.011	.012	.014	.015	.016
CAST IRON	COPPER ALLOY - TOUGH	40 - 200*	50 - 90	.005	.006	.008	.010	.011	.012	.014	.016	.017
	DUCTILE CAST IRON - AUSTENITIC	120 - 275	45 - 70	.004	.006	.007	.008	.010	.013	.015	.018	.020
	DUCTILE CAST IRON - FERRITIC	140 - 270	50 - 90	.004	.005	.008	.010	.012	.014	.017	.020	.023
	DUCTILE CAST IRON - MARTENSITIC	270 - 400	35 - 60	.004	.006	.007	.008	.009	.010	.012	.014	.016
	GRAY - PEARLITIC	220 - 320	45 - 70	.004	.006	.008	.009	.010	.012	.014	.018	.020
	GRAY - FERRITIC	120 - 220	65 - 135	.005	.008	.010	.011	.013	.016	.020	.022	.025
LOW CARBON STEELS	MALLEABLE CAST IRON - MARTENSITIC	200 - 320	45 - 70	.004	.006	.008	.010	.012	.013	.015	.018	.025
	LOW AND MEDIUM CARBON STEEL - FREE MACHINING	100 - 250	70 - 100	.005	.008	.010	.012	.014	.015	.020	.025	.030
MEDIUM STRENGTH STEELS	LOW AND MEDIUM CARBON STEEL - WROUGHT	100 - 375	30 - 85	.004	.008	.009	.011	.013	.015	.018	.020	.022
	LOW AND MEDIUM CARBON ALLOY STEEL - FREE MACHINING	100 - 275	65 - 100	.005	.008	.010	.015	.017	.018	.022	.025	.027
	LOW AND MEDIUM CARBON ALLOY STEEL	85 - 375	40 - 85	.005	.010	.012	.015	.018	.020	.025	.027	.030
	STAINLESS STEEL - 400 SERIES	135 - 325	40 - 90	.003	.005	.006	.007	.008	.008	.010	.011	.012
	STAINLESS STEEL - 400 SERIES FREE MACHINING	135 - 275	65 - 100	.004	.006	.007	.008	.009	.009	.010	.011	.012
HIGH STRENGTH STEELS	HIGH STRENGTH STEEL - WROUGHT & TOOL STEEL	175 - 400	35 - 70	.004	.006	.007	.008	.009	.010	.011	.012	.013
HIGH TEMP. ALLOYS	HIGH TEMP ALLOYS NICKEL & IRON BASE ALLOY	140 - 300	15 - 85	.003	.005	.005	.005	.006	.007	.008	.010	.012
	STAINLESS STEEL - 300 SERIES	135 - 375	40 - 75	.003	.004	.005	.006	.006	.007	.008	.009	.010
	STAINLESS STEEL - PH SERIES	150 - 440	35 - 70	.003	.004	.004	.005	.006	.007	.008	.009	.010
	TITANIUM ALLOY	110 - 380	30 - 45	.004	.006	.008	.010	.011	.011	.012	.013	.014

CLASSIFICATION	MATERIAL	BRINELL	SPEED IN SFPM	COOLANT FED (C.F.)	FEED RATE (INCHES PER REVOLUTION)					HOLE DIAMETER IN INCHES		
					1/8	1/4	3/8	1/2	5/8	3/4	1	1 1/4
NON-FERROUS (SOFT)	ALUMINUM ALLOY - CAST WROUGHT	30 - 150*	200 - 300	-	.008	.010	.013	.015	.017	.021	.022	.024
	MAGNESIUM ALLOY	50 - 90*	150 - 250	-	.012	.015	.018	.019	.020	.024	.026	.028
	LEAD ALLOY	10 - 20*	200 - 300	-	.008	.010	.016	.017	.018	.022	.024	.026
	NON-METAL AND PLASTIC	-	125 - 300	-	.006	.008	.009	.010	.014	.016	.018	.020
	ZINC ALLOY - DIE CAST	80 - 100	170 - 240	-	.009	.011	.013	.014	.016	.020	.022	.025
NON-FERROUS (HARD)	ALUMINUM BRONZE	40 - 175	70 - 105	-	.008	.013	.015	.016	.018	.021	.024	.028
	BRASS ALLOY - LEADED AND FREE CUTTING	10 - 100Rb	125 - 300	-	.010	.014	.020	.022	.024	.026	.028	.032
	NICKEL SILVER	10 - 100Rb	70 - 190	-	.007	.010	.012	.013	.014	.017	.018	.018
CAST IRON	COPPER ALLOY - TOUGH	40 - 200*	70 - 105	-	.008	.010	.013	.014	.016	.018	.019	.020
	DUCTILE CAST IRON - AUSTENITIC	120 - 275	65 - 100	-	.008	.009	.011	.014	.016	.018	.020	.025
	DUCTILE CAST IRON - FERRITIC	140 - 270	70 - 105	-	.007	.010	.012	.015	.017	.022	.024	.027
	DUCTILE CAST IRON - MARTENSITIC	270 - 400	50 - 85	-	.008	.009	.010	.011	.013	.014	.017	.019
	GRAY - PEARLITIC	220 - 320	55 - 100	-	.008	.010	.012	.014	.015	.018	.020	.026
	GRAY - FERRITIC	120 - 220	95 - 190	-	.010	.013	.014	.017	.020	.024	.028	.030
LOW CARBON STEELS	MALLEABLE CAST IRON - MARTENSITIC	200 - 320	65 - 100	-	.008	.010	.012	.014	.015	.020	.023	.030
	LOW AND MEDIUM CARBON STEEL - FREE MACHINING	100 - 250	100 - 150	-	.012	.014	.016	.018	.020	.025	.030	.035
MEDIUM STRENGTH STEELS	LOW AND MEDIUM CARBON STEEL - WROUGHT	100 - 375	40 - 110	-	.009	.011	.013	.015	.017	.022	.024	.026
	LOW AND MEDIUM CARBON ALLOY STEEL - FREE MACHINING	100 - 275	90 - 135	-	.010	.012	.018	.020	.022	.025	.027	.030
	LOW AND MEDIUM CARBON ALLOY STEEL	85 - 375	65 - 100	-	.012	.015	.018	.022	.024	.028	.030	.033
	STAINLESS STEEL - 400 SERIES	135 - 325	50 - 100	-	.007	.007	.008	.009	.009	.012	.014	.015
	STAINLESS STEEL - 400 SERIES FREE MACHINING	135 - 275	90 - 135	-	.008	.009	.010	.011	.012	.013	.013	.014
HIGH STRENGTH STEELS	HIGH STRENGTH STEEL - WROUGHT & TOOL STEEL	175 - 400	50 - 100	-	.007	.008	.009	.011	.012	.014	.015	.016
HIGH TEMP. ALLOYS	HIGH TEMP ALLOYS NICKEL & IRON BASE ALLOY	140 - 300	20 - 115	-	.006	.007	.007	.008	.008	.010	.012	.015
	STAINLESS STEEL - 300 SERIES	135 - 375	60 - 90	-	.006	.007	.008	.008	.009	.010	.011	.012
	STAINLESS STEEL - PH SERIES	150 - 440	50 - 90	-	.006	.006	.007	.008	.009	.010	.012	.014
	TITANIUM ALLOY	110 - 380	40 - 60	-	.008	.010	.013	.014	.014	.016	.016	.018

CARBIDE TIPPED JOBBERS DRILL LENGTH REAMERS

TYPE 3401 - STRAIGHT SHANK - STRAIGHT FLUTES

Carbide tips brazed to one piece hardened alloy steel bodies. Straight polished flutes.

Designed and manufactured for maximum tool life. Used for all general types of reaming, including low carbon steel, cast iron, non-ferrous metals and non-metals. These shorter length reamers provide increased rigidity and should be used in applications requiring jobbers length drills.



TOOL DIAMETER		SHANK DIAM.	NO. OF FLUTES	LENGTH			EDP NO.	PRICE EACH	DECIMAL SIZE RANGE	PRICE EACH - FINISHED TO DECIMAL SIZE					
DECIMAL	FRACTIONAL			FLT	CARB	OAL				1 PC.	2 PC.	3 PC.	4 PC.	5-7	8-14*
.1562	5/32	.151	4	1	1/2	3 1/8	340105	\$75.85	.1560 - .1769	\$121.10	\$98.45	\$90.80	\$87.20	\$83.40	\$80.30
.1719	1/64	.151	4	1	1/2	3 1/4	34011719	75.85	-	-	-	-	-	-	-
.1875	3/16	1/64	4	1 1/8	1/2	3 1/2	340106	73.30	.1770 - .2040	117.30	95.25	87.95	84.35	80.75	77.70
.2031	13/64	1/64	4	1 1/8	1/2	3 5/8	34012031	73.85	-	-	-	-	-	-	-
.2188	7/32	13/64	4	1 1/4	1/2	3 3/4	340107	73.30	.2041 - .2210	117.30	95.25	87.95	84.35	80.75	77.70
.2344	15/64	7/32	4	1 1/2	1/2	3 7/8	34012344	73.85	.2211 - .2380	117.90	95.85	88.35	84.90	81.10	78.15
.2500	1/4	15/64	4	1 1/2	1/2	4	340108	73.30	.2381 - .2530	117.30	95.25	87.95	84.35	80.75	77.70
.2656	17/64	15/64	4	1 1/2	1/2	4 1/8	34012656	74.80	-	-	-	-	-	-	-
.2812	9/32	15/64	4	1 1/2	1/2	4 1/4	340109	74.35	.2531 - .2840	118.35	96.30	88.95	85.40	81.60	78.65
.2969	19/64	9/32	4	1 1/2	1/2	4 3/8	34012969	74.80	-	-	-	-	-	-	-
.3125	5/16	9/32	4	1 1/2	1/2	4 1/2	340110	74.35	.2841 - .3150	118.35	96.30	88.95	85.40	81.60	78.65
.3281	21/64	9/32	4	1 1/2	5/8	4 5/8	34013281	77.00	-	-	-	-	-	-	-
.3438	11/32	9/32	4	1 1/2	5/8	4 3/4	340111	76.15	.3151 - .3470	120.15	98.10	90.75	87.20	83.50	80.45
.3594	23/64	5/16	4	1 3/4	5/8	4 7/8	34013594	77.00	-	-	-	-	-	-	-
.3750	3/8	5/16	4	1 3/4	5/8	5	340112	69.90	.3471 - .3780	110.25	90.00	83.20	80.00	76.55	73.85
.3906	25/64	5/16	4	1 3/4	5/8	5 1/8	34013906	79.90	-	-	-	-	-	-	-
.4062	13/32	5/16	4	1 3/4	5/8	5 1/4	340113	78.60	.3781 - .4090	122.65	100.60	93.20	89.70	85.85	82.90
.4219	27/64	3/8	4	1 3/4	5/8	5 3/8	34014219	79.90	-	-	-	-	-	-	-
.4375	7/16	3/8	4	1 3/4	5/8	5 1/2	340114	82.05	.4091 - .4410	126.05	104.05	96.60	93.10	89.25	86.30
.4531	29/64	3/8	4	1 3/4	5/8	5 5/8	34014531	85.25	-	-	-	-	-	-	-
.4688	15/32	3/8	4	1 3/4	5/8	5 3/4	340115	85.70	.4411 - .4720	129.70	107.65	100.25	96.75	93.05	90.00
.4844	31/64	7/16	6	2	5/8	5 7/8	34014844	90.80	-	-	-	-	-	-	-
.5000	1/2	7/16	6	2	5/8	6	340116	96.25	.4721 - .5030	144.70	120.35	112.35	108.50	104.25	101.00
.5156	33/64	7/16	6	2	5/8	6 5/8	34015156	102.25	-	-	-	-	-	-	-
.5312	17/32	7/16	6	2	5/8	6 5/8	340117	102.25	.5031 - .5340	150.70	126.45	118.35	114.40	110.35	107.05
.5469	35/64	7/16	6	2	5/8	6 5/8	34015469	102.25	-	-	-	-	-	-	-
.5625	9/16	7/16	6	2	5/8	6 5/8	340118	102.25	.5341 - .5660	150.70	126.45	118.35	114.40	110.35	107.05
.5781	37/64	7/16	6	2	5/8	6 5/8	34015781	105.05	-	-	-	-	-	-	-
.5938	19/32	7/16	6	2	5/8	7 1/8	340119	105.05	.5661 - .5970	153.65	129.35	121.25	117.30	113.15	109.95
.6094	39/64	9/16	6	2 1/4	5/8	7 1/8	34016094	105.05	-	-	-	-	-	-	-
.6250	5/8	9/16	6	2 1/4	5/8	7 1/8	340120	105.05	.5971 - .6280	153.65	129.35	121.25	117.30	113.15	109.95
.6406	41/64	9/16	6	2 1/4	5/8	7 1/8	34016406	106.40	-	-	-	-	-	-	-
.6562	21/32	9/16	6	2 1/4	5/8	7 1/8	340121	106.40	.6281 - .6590	154.95	130.65	122.50	118.55	114.40	111.15
.6719	43/64	9/16	6	2 1/4	5/8	7 5/8	34016719	106.40	-	-	-	-	-	-	-
.6875	11/16	9/16	6	2 1/4	5/8	7 5/8	340122	106.40	.6591 - .6910	154.95	130.65	122.50	118.55	114.40	111.15
.7031	45/64	9/16	6	2 1/4	5/8	7 5/8	34017031	110.10	-	-	-	-	-	-	-
.7188	23/32	9/16	6	2 1/4	5/8	7 5/8	340123	110.10	.6911 - .7220	158.55	134.30	126.20	122.30	118.15	114.85
.7344	47/64	5/8	6	2 1/2	3/4	7 5/8	34017344	110.10	-	-	-	-	-	-	-
.7500	3/4	5/8	6	2 1/2	3/4	8	340124	110.10	.7221 - .7530	158.55	134.30	126.20	122.30	118.15	114.85

REAMER EXPEDITE FEES

*Quantities of 15 or more: price of fractional size in same size range.

REAMER DIAMETER	SERVICE	FEE
Up to 1.0000"	24 Hour	\$105.00
Up to 1.0000"	48 Hour	70.00
Over 1.0000"	48 Hour	105.00
Over 1.0000"	72 Hour	70.00

Order must be received by 3:00 PM EST (Exceptions may apply)
 18 pieces max per diameter, 4 diameters max per order, 1 fee per diameter
 Does NOT apply to types 3401, 3431, 3441, 3490, or Variable Length Reamers
 Does NOT require air shipment of the product

REAMER TOLERANCES & CLOSER TOLERANCE PRICING

TOOL TYPE	TOOL DIAMETER TOLERANCES		CLOSER TOLERANCE PRICING			TOOL TYPE	SHANK DIAMETER TOLERANCES (BASED ON TOOL DIAMETER)	
			.0001"	.0002"	.0003"		NAS 897 & COOLANT	UP TO 23/32"
3480, NAS 897 EXCLUDING COOLANT	.0000" THRU .5000"	+0.0002"/-.0000"	\$4.20	-	-	ALL OTHER REAMERS	ALL SIZES	
	.5001" THRU .7500"	+0.0003"/-.0000"	4.20	\$1.40	-		-.0005"/-.0015"	
	.7501" AND UP	+0.0004"/-.0000"	7.00	4.20	\$1.40			

CARBIDE TIPPED OVER & UNDER SIZE REAMERS

TYPE 3479 - JOBBERS DRILL LENGTH STRAIGHT SHANK & FLUTES

These precision ground carbide tipped reamers are very convenient for finishing accurate holes in most materials.

Same specifications as Type 3401 (pg. 60).

Tool diameter tolerance: +.0002"/-.0000".

TOOL DIAMETER	SHANK DIAM.	NO. OF FLUTES	LENGTH			TYPE 3479 EDP NO.	PRICE EACH
			FLT	CARB	OAL		
.1865	1/64	4	1 1/8	1/2	3 1/2	347918	\$73.85
.1885	1/64	4	1 1/8	1/2	3 1/2	347919	73.85
.2490	15/64	4	1 1/2	1/2	4	347924	73.85
.2510	15/64	4	1 1/2	1/2	4	347925	73.85
.3115	9/32	4	1 1/2	1/2	4 1/2	347931	74.80
.3135	9/32	4	1 1/2	1/2	4 1/2	347932	74.80
.3740	5/16	4	1 3/4	5/8	5	347937	77.00
.3760	5/16	4	1 3/4	5/8	5	347938	77.00
.4365	3/8	4	1 3/4	5/8	5 1/2	347943	85.25
.4385	3/8	4	1 3/4	5/8	5 1/2	347944	85.25
.4990	7/16	6	2	5/8	6	347949	90.80
.5010	7/16	6	2	5/8	6	347950	90.80

TYPE 3478 - REGULAR LENGTH STRAIGHT SHANK & FLUTES

These precision ground carbide tipped reamers are very convenient for finishing accurate holes in most materials.

Same specifications as Type 3400 (pg. 62).

Tool diameter tolerance: +.0002"/-.0000".

TOOL DIAMETER	SHANK DIAM.	NO. OF FLUTES	LENGTH			TYPE 3478 EDP NO.	PRICE EACH
			FLT	CARB	OAL		
.1865	1/64	4	1 1/8	1/2	4 1/2	347818	\$59.30
.1885	1/64	4	1 1/8	1/2	4 1/2	347819	59.30
.2490	15/64	4	1 1/2	1/2	6	347824	59.30
.2510	15/64	4	1 1/2	1/2	6	347825	59.30
.3115	9/32	4	1 1/2	1/2	6	347831	60.60
.3135	9/32	4	1 1/2	1/2	6	347832	60.60
.3740	5/16	4	1 3/4	5/8	7	347837	62.85
.3760	5/16	4	1 3/4	5/8	7	347838	62.85
.4365	3/8	4	1 3/4	5/8	7	347843	70.25
.4385	3/8	4	1 3/4	5/8	7	347844	70.25
.4990	7/16	6	2	5/8	8	347849	77.00
.5010	7/16	6	2	5/8	8	347850	77.00
.6240	9/16	6	2 1/4	5/8	9	347862	92.30
.6260	9/16	6	2 1/4	5/8	9	347863	92.30
.7490	5/8	6	2 1/2	3/4	9 1/2	347874	97.30
.7510	5/8	6	2 1/2	3/4	9 1/2	347875	97.30
.8740	3/4	6	2 5/8	3/4	10	347886	103.35
.8760	3/4	6	2 5/8	3/4	10	347887	107.30
.9990	7/8	8	2 3/4	3/4	10 1/2	347898	127.50
1.0010	7/8	8	2 3/4	3/4	10 1/2	347899	122.15

CARBIDE TIPPED DOWEL PIN SIZE REAMERS

TYPE 3477 - JOBBERS DRILL LENGTH STRAIGHT SHANK & FLUTES

These precision ground carbide tipped reamers accurately finish holes in most materials resulting in properly fitting dowel pins.

Should be used in pairs of .0005" and .0020" under the fractional size.

Note special undersize tolerance.

Same specifications as Type 3401 (pg. 60).

Tool diameter tolerance: +.0000"/-.0002".

TOOL DIAMETER	SHANK DIAM.	NO. OF FLUTES	LENGTH			TYPE 3477 EDP NO.	PRICE EACH
			FLT	CARB	OAL		
.1855	1/64	4	1 1/8	1/2	3 1/2	347717	\$73.85
.1870	1/64	4	1 1/8	1/2	3 1/2	347718	73.85
.2480	15/64	4	1 1/2	1/2	4	347723	73.85
.2495	15/64	4	1 1/2	1/2	4	347724	73.85
.3105	9/32	4	1 1/2	1/2	4 1/2	347730	74.80
.3120	9/32	4	1 1/2	1/2	4 1/2	347731	74.80
.3730	5/16	4	1 3/4	5/8	5	347736	77.00
.3745	5/16	4	1 3/4	5/8	5	347737	77.00
.4355	3/8	4	1 3/4	5/8	5 1/2	347742	85.25
.4370	3/8	4	1 3/4	5/8	5 1/2	347743	85.25
.4980	7/16	6	2	5/8	6	347748	90.80
.4995	7/16	6	2	5/8	6	347749	90.80

TYPE 3476 - REGULAR LENGTH STRAIGHT SHANK & FLUTES

These precision ground carbide tipped reamers accurately finish holes in most materials resulting in properly fitting dowel pins.

Should be used in pairs of .0005" and .0020" under the fractional size.

Note special undersize tolerance.

Same specifications as Type 3400 (pg. 62).

Tool diameter tolerance: +.0000"/-.0002".

TOOL DIAMETER	SHANK DIAM.	NO. OF FLUTES	LENGTH			TYPE 3476 EDP NO.	PRICE EACH
			FLT	CARB	OAL		
.1855	1/64	4	1 1/8	1/2	4 1/2	347617	\$59.30
.1870	1/64	4	1 1/8	1/2	4 1/2	347618	59.30
.2480	15/64	4	1 1/2	1/2	6	347623	59.30
.2495	15/64	4	1 1/2	1/2	6	347624	59.30
.3105	9/32	4	1 1/2	1/2	6	347630	60.60
.3120	9/32	4	1 1/2	1/2	6	347631	60.60
.3730	5/16	4	1 3/4	5/8	7	347636	62.85
.3745	5/16	4	1 3/4	5/8	7	347637	62.85
.4355	3/8	4	1 3/4	5/8	7	347642	70.25
.4370	3/8	4	1 3/4	5/8	7	347643	70.25
.4980	7/16	6	2	5/8	8	347648	77.00
.4995	7/16	6	2	5/8	8	347649	77.00
CASED SET OF ABOVE 12 REAMERS						347600	739.90

CARBIDE TIPPED REGULAR LENGTH CHUCKING REAMERS

TYPE 3400 - STRAIGHT SHANK - STRAIGHT FLUTES

Carbide tips brazed to one piece hardened alloy steel bodies. Straight polished flutes.

Designed and manufactured for maximum tool life. Used for all general types of reaming, including low carbon steels, cast iron, non-ferrous metals and non-metals.



For metric sizes, see page 64.

For reamer tolerances and closer tolerance pricing, see page 60.

TOOL DIAMETER		SHANK DIAM.	NO. OF FLUTES	LENGTH			EDP NO.	PRICE EACH	DECIMAL SIZE RANGE	PRICE EACH - FINISHED TO DECIMAL SIZE					
DECIMAL	FRAC.			FLT	CARB	OAL				1 PC.	2 PC.	3 PC.	4 PC.	5-7	8-14*
.1562	5/32	.151	4	1	1/2	4	340005	\$51.35	.1560 - .1769	\$97.15	\$73.90	\$66.40	\$62.70	\$58.85	\$55.80
.1719	11/64	.151	4	1	1/2	4	34001719	51.35	-	-	-	-	-	-	-
.1875	3/16	11/64	4	1 1/8	1/2	4 1/2	340006	47.10	.1770 - .2040	91.10	69.10	61.80	58.15	54.45	51.40
.1875	3/16	11/64	4	1 1/4	1/2	5	340086	49.95	.1770 - .2040	93.95	71.90	64.70	61.00	57.30	54.25
.2031	13/64	11/64	4	1 1/8	1/2	4 1/2	34002031	49.95	-	-	-	-	-	-	-
.2188	7/32	13/64	4	1 1/4	1/2	5	340007	47.10	.2041 - .2210	91.10	69.10	61.80	58.15	54.45	51.40
.2344	15/64	7/32	4	1 1/2	1/2	6	34002344	49.95	.2211 - .2380	93.95	71.90	64.70	61.00	57.30	54.25
.2500	1/4	15/64	4	1 1/2	1/2	6	340008	47.10	.2381 - .2530	91.10	69.10	61.80	58.15	54.45	51.40
.2656	17/64	15/64	4	1 1/2	1/2	6	34002656	51.05	-	-	-	-	-	-	-
.2812	9/32	15/64	4	1 1/2	1/2	6	340009	48.15	.2531 - .2840	92.15	70.10	62.75	59.20	55.45	52.45
.2969	19/64	9/32	4	1 1/2	1/2	6	34002969	51.05	-	-	-	-	-	-	-
.3125	5/16	9/32	4	1 1/2	1/2	6	340010	48.15	.2841 - .3150	92.15	70.10	62.75	59.20	55.45	52.45
.3281	21/64	9/32	4	1 1/2	5/8	6	34003281	52.90	-	-	-	-	-	-	-
.3438	11/32	9/32	4	1 1/2	5/8	6	340011	49.85	.3151 - .3470	93.85	71.85	64.40	60.90	57.20	54.15
.3594	23/64	5/16	4	1 3/4	5/8	7	34003594	52.90	-	-	-	-	-	-	-
.3750	3/8	5/16	4	1 3/4	5/8	7	340012	49.85	.3471 - .3780	93.85	71.85	64.40	60.90	57.20	54.15
.3906	25/64	5/16	4	1 3/4	5/8	7	34003906	55.60	-	-	-	-	-	-	-
.4062	13/32	5/16	4	1 3/4	5/8	7	340013	52.30	.3781 - .4090	96.30	74.25	66.95	63.35	59.60	56.60
.4219	27/64	3/8	4	1 3/4	5/8	7	34004219	59.15	-	-	-	-	-	-	-
.4375	7/16	3/8	4	1 3/4	5/8	7	340014	55.85	.4091 - .4410	99.85	77.85	70.35	66.95	63.05	60.20
.4531	29/64	3/8	4	1 3/4	5/8	7	34004531	60.10	-	-	-	-	-	-	-
.4688	15/32	3/8	4	1 3/4	5/8	7	340015	56.60	.4411 - .4720	100.70	78.60	71.25	67.65	63.90	60.90
.4844	31/64	7/16	6	2	5/8	8	34004844	64.90	-	-	-	-	-	-	-
.5000	1/2	7/16	6	2	5/8	8	340016	67.35	.4721 - .5030	115.85	91.65	83.50	79.60	75.40	72.10
.5156	33/64	7/16	6	2	5/8	8	34005156	73.30	-	-	-	-	-	-	-
.5312	17/32	7/16	6	2	5/8	8	340017	73.30	.5031 - .5340	121.85	97.55	89.50	85.55	81.30	78.15
.5469	35/64	7/16	6	2	5/8	8	34005469	73.30	-	-	-	-	-	-	-
.5625	9/16	7/16	6	2	5/8	8	340018	73.30	.5341 - .5660	121.85	97.55	89.50	85.55	81.30	78.15
.5781	37/64	7/16	6	2	5/8	8	34005781	76.30	-	-	-	-	-	-	-
.5938	19/32	7/16	6	2	5/8	8	340019	76.30	.5661 - .5970	124.80	100.45	92.30	88.50	84.30	81.10
.6094	39/64	9/16	6	2 1/4	5/8	9	34006094	76.30	-	-	-	-	-	-	-
.6250	5/8	9/16	6	2 1/4	5/8	9	340020	76.30	.5971 - .6280	124.80	100.45	92.30	88.50	84.30	81.10
.6406	41/64	9/16	6	2 1/4	5/8	9	34006406	77.60	-	-	-	-	-	-	-
.6562	21/32	9/16	6	2 1/4	5/8	9	340021	77.60	.6281 - .6590	126.05	101.75	93.65	89.80	85.65	82.35
.6719	43/64	9/16	6	2 1/4	5/8	9	34006719	77.60	-	-	-	-	-	-	-
.6875	11/16	9/16	6	2 1/4	5/8	9	340022	77.60	.6591 - .6910	126.05	101.75	93.65	89.80	85.65	82.35
.7031	45/64	9/16	6	2 1/4	5/8	9	34007031	81.25	-	-	-	-	-	-	-
.7188	23/32	9/16	6	2 1/4	5/8	9	340023	81.25	.6911 - .7220	129.70	105.50	97.30	93.50	89.25	86.05
.7344	47/64	5/8	6	2 1/2	3/4	9 1/2	34007344	81.25	-	-	-	-	-	-	-
.7500	3/4	5/8	6	2 1/2	3/4	9 1/2	340024	81.25	.7221 - .7530	129.70	105.50	97.30	93.50	89.25	86.05

TOOL DIAMETER		SHANK DIAM.	NO. OF FLUTES	LENGTH			EDP NO.	PRICE EACH	DECIMAL SIZE RANGE	PRICE EACH - FINISHED TO DECIMAL SIZE					
DECIMAL	FRACTIONAL			FLT	CARB	OAL				1 PC.	2 PC.	3 PC.	4 PC.	5-7	8-14*
.7656	49/64	5/8	6	2 1/2	3/4	9 1/2	34007656	\$83.90	-	-	-	-	-	-	-
.7812	25/32	5/8	6	2 1/2	3/4	9 1/2	340025	83.90	.7531 - .7840	\$132.35	\$108.10	\$100.00	\$96.15	\$92.00	\$88.65
.7969	51/64	5/8	6	2 1/2	3/4	9 1/2	34007969	83.90	-	-	-	-	-	-	-
.8125	13/16	5/8	6	2 1/2	3/4	9 1/2	340026	83.90	.7841 - .8160	132.35	108.10	100.00	96.15	92.00	88.65
.8281	53/64	5/8	6	2 1/2	3/4	9 1/2	34008281	87.25	-	-	-	-	-	-	-
.8438	27/32	5/8	6	2 1/2	3/4	9 1/2	340027	87.25	.8161 - .8470	135.80	111.50	103.35	99.50	95.25	92.10
.8594	55/64	3/4	6	2 5/8	3/4	10	34008594	87.25	-	-	-	-	-	-	-
.8750	7/8	3/4	6	2 5/8	3/4	10	340028	90.60	.8471 - .8780	140.85	115.70	107.30	103.30	98.85	95.50
.8906	57/64	3/4	6	2 5/8	3/4	10	34008906	105.50	-	-	-	-	-	-	-
.9062	29/32	3/4	6	2 5/8	3/4	10	340029	105.50	.8781 - .9090	155.80	130.60	122.20	118.20	113.80	110.50
.9219	59/64	3/4	8	2 5/8	3/4	10	34009219	105.50	-	-	-	-	-	-	-
.9375	15/16	3/4	8	2 5/8	3/4	10	340030	105.50	.9091 - .9410	155.80	130.60	122.20	118.20	113.80	110.50
.9531	61/64	3/4	8	2 5/8	3/4	10	34009531	110.65	-	-	-	-	-	-	-
.9688	31/32	3/4	8	2 5/8	3/4	10	340031	110.65	.9411 - .9720	160.95	135.70	127.40	123.30	118.95	115.60
.9844	63/64	7/8	8	2 3/4	3/4	10 1/2	34009844	110.65	-	-	-	-	-	-	-
1.0000	1	7/8	8	2 3/4	3/4	10 1/2	340032	110.65	.9721 - 1.0030	160.95	135.70	127.40	123.30	118.95	115.60
1.0625	1 1/16	7/8	8	2 3/4	3/4	10 1/2	340034	114.35	1.0031 - 1.0660	162.65	138.55	130.35	126.60	122.45	119.10
1.1250	1 1/8	7/8	8	2 7/8	7/8	11	340036	123.60	1.0661 - 1.1280	171.90	147.75	139.70	135.85	131.65	128.35
1.1875	1 3/16	1	8	2 7/8	7/8	11	340038	130.00	1.1281 - 1.1905	178.15	154.05	145.95	142.10	138.00	134.65
1.2500	1 1/4	1	8	3	7/8	11 1/2	340040	137.40	1.1906 - 1.2530	185.70	161.60	153.45	149.65	145.45	142.15
1.3125	1 5/16	1	8	3	7/8	11 1/2	340042	144.60	1.2531 - 1.3155	192.75	168.65	160.50	156.70	152.55	149.30
1.3750	1 3/8	1	8	3 1/4	7/8	12	340044	153.45	1.3156 - 1.3780	201.60	177.50	169.45	165.55	161.45	158.25
1.4375	1 7/16	1 1/4	8	3 1/4	7/8	12	340046	170.95	1.3781 - 1.4405	219.25	195.05	187.00	183.20	178.95	175.70
1.5000	1 1/2	1 1/4	8	3 1/2	7/8	12 1/2	340048	180.75	1.4406 - 1.5030	228.90	204.80	196.65	192.90	188.70	185.45
1.5625	1 9/16	1 1/4	8	3 1/2	7/8	12 1/2	340050	268.45	1.5031 - 1.5660	316.60	292.50	284.50	280.55	276.45	273.20
1.6250	1 5/8	1 1/4	8	3 3/4	7/8	13	340052	277.65	1.5661 - 1.6280	325.80	301.70	293.60	289.75	285.60	282.35
1.6875	1 11/16	1 1/4	8	3 3/4	7/8	13	340054	312.25	1.6281 - 1.6910	360.55	336.40	328.35	324.50	320.40	317.15
1.7500	1 3/4	1 1/4	10	4	7/8	13 1/2	340056	312.25	1.6911 - 1.7530	360.55	336.40	328.35	324.50	320.40	317.15
1.8125	1 13/16	1 1/2	10	4	7/8	13 1/2	340058	312.25	1.7531 - 1.8160	360.55	336.40	328.35	324.50	320.40	317.15
1.8750	1 7/8	1 1/2	10	4 1/4	7/8	14	340060	327.20	1.8161 - 1.8780	375.40	351.25	343.10	339.30	335.15	331.90
1.9375	1 15/16	1 1/2	10	4 1/4	7/8	14	340062	327.20	1.8781 - 1.9410	375.40	351.25	343.10	339.30	335.15	331.90
2.0000	2	1 1/2	12	4 1/4	7/8	14	340064	327.20	1.9411 - 2.0030	375.40	351.25	343.10	339.30	335.15	331.90

*Quantities of 15 or more: price of fractional size in same size range.

WIRE & LETTER SIZES

For reamer tolerances, see page 60.

TOOL DIAMETER		SHANK DIAM.	NO. OF FLUTES	LENGTH			EDP NO.	PRICE EACH
WIRE LETTER	DECIMAL			FLT	CARB	OAL		
22	.1570	.151	4	1	1/2	4	34001570	\$66.40
21	.1590	.151	4	1	1/2	4	34001590	66.40
20	.1610	.151	4	1	1/2	4	34001610	66.40
19	.1660	.151	4	1	1/2	4	34001660	66.40
18	.1695	.151	4	1	1/2	4	34001695	66.40
17	.1730	.151	4	1	1/2	4	34001730	66.40
16	.1770	11/64	4	1 1/8	1/2	4 1/2	34001770	61.80
15	.1800	11/64	4	1 1/8	1/2	4 1/2	34001800	61.80
14	.1820	11/64	4	1 1/8	1/2	4 1/2	34001820	61.80
13	.1850	11/64	4	1 1/8	1/2	4 1/2	3400047	61.80
12	.1890	11/64	4	1 1/8	1/2	4 1/2	3400048	61.80
11	.1910	11/64	4	1 1/8	1/2	4 1/2	34001910	61.80
10	.1935	11/64	4	1 1/8	1/2	4 1/2	34001935	61.80
9	.1960	11/64	4	1 1/8	1/2	4 1/2	34001960	61.80
8	.1990	11/64	4	1 1/8	1/2	4 1/2	34001990	61.80
7	.2010	11/64	4	1 1/8	1/2	4 1/2	34002010	61.80
6	.2040	11/64	4	1 1/8	1/2	4 1/2	34002040	61.80
5	.2055	13/64	4	1 1/4	1/2	5	34002055	61.80
4	.2090	13/64	4	1 1/4	1/2	5	34002090	61.80
3	.2130	13/64	4	1 1/4	1/2	5	34002130	61.80
2	.2210	13/64	4	1 1/4	1/2	5	34002210	61.80
1	.2280	7/32	4	1 1/2	1/2	6	34002280	64.70
A	.2340	7/32	4	1 1/2	1/2	6	34002340	64.70
B	.2380	7/32	4	1 1/2	1/2	6	34002380	64.70

TOOL DIAMETER		SHANK DIAM.	NO. OF FLUTES	LENGTH			EDP NO.	PRICE EACH
WIRE LETTER	DECIMAL			FLT	CARB	OAL		
C	.2420	15/64	4	1 1/2	1/2	6	34002420	\$61.80
D	.2460	15/64	4	1 1/2	1/2	6	34002460	61.80
E	.2500	15/64	4	1 1/2	1/2	6	3400008	47.10
F	.2570	15/64	4	1 1/2	1/2	6	34002570	62.75
G	.2610	15/64	4	1 1/2	1/2	6	34002610	62.75
H	.2660	15/64	4	1 1/2	1/2	6	34002660	62.75
I	.2720	15/64	4	1 1/2	1/2	6	34002720	62.75
J	.2770	15/64	4	1 1/2	1/2	6	34002770	62.75
K	.2810	15/64	4	1 1/2	1/2	6	34002810	62.75
L	.2900	9/32	4	1 1/2	1/2	6	34002900	62.75
M	.2950	9/32	4	1 1/2	1/2	6	34002950	62.75
N	.3020	9/32	4	1 1/2	1/2	6	34003020	62.75
O	.3160	9/32	4	1 1/2	1/2	6	34003160	64.40
P	.3230	9/32	4	1 1/2	1/2	6	34003230	64.40
Q	.3320	9/32	4	1 1/2	1/2	6	34003320	64.40
R	.3390	9/32	4	1 1/2	1/2	6	34003390	64.40
S	.3480	5/16	4	1 3/4	5/8	7	34003480	64.40
T	.3580	5/16	4	1 3/4	5/8	7	34003580	64.40
U	.3680	5/16	4	1 3/4	5/8	7	34003680	64.40
V	.3770	5/16	4	1 3/4	5/8	7	34003770	64.40
W	.3860	5/16	4	1 3/4	5/8	7	34003860	66.95
X	.3970	5/16	4	1 3/4	5/8	7	34003970	66.95
Y	.4040	5/16	4	1 3/4	5/8	7	34004040	66.95
Z	.4130	3/8	4	1 3/4	5/8	7	34004130	70.35

CARBIDE TIPPED REGULAR LENGTH CHUCKING REAMERS

TYPE 3400 - STRAIGHT SHANK - STRAIGHT FLUTES

Detailed description and fractional sizes on pages 62 & 63. Tolerances on page 60. Tool diameter in millimeters with all other dimensions in inches.



TOOL DIAMETER		SHANK DIAM.	NO. OF FLUTES	LENGTH			EDP NO.	PRICE EACH	METRIC SIZE RANGE	PRICE EACH - FINISHED TO METRIC SIZE						
mm	INCH			FLT	CARB	OAL				1 PC.	2 PC.	3 PC.	4 PC.	5-7	8-14	15+
4.0	.1575	.151	4	1	1/2	4	3400040	\$66.40	3.962 - 4.493	\$100.30	\$77.85	\$70.20	\$66.50	\$62.70	\$59.50	\$55.20
4.5	.1772	1/64	4	1 1/8	1/2	4 1/2	3400045	61.80	4.494 - 5.182	94.90	72.95	65.60	61.95	58.15	55.15	51.00
5.0	.1969	1/64	4	1 1/8	1/2	4 1/2	3400050	61.80	-	-	-	-	-	-	-	-
5.5	.2165	13/64	4	1 1/4	1/2	5	3400055	61.80	5.183 - 5.613	94.90	72.95	65.60	61.95	58.15	55.15	51.00
6.0	.2362	7/32	4	1 1/2	1/2	6	3400060	64.70	5.614 - 6.045	97.70	75.75	68.35	64.80	61.00	57.95	53.70
6.3	.2480	15/64	4	1 1/2	1/2	6	3400063	61.80	6.046 - 6.426	94.90	72.95	65.60	61.95	58.15	55.15	51.00
6.5	.2559	15/64	4	1 1/2	1/2	6	3400065	62.75	6.427 - 7.214	95.95	73.90	66.55	62.90	59.20	56.15	51.95
7.0	.2756	15/64	4	1 1/2	1/2	6	3400070	62.75	-	-	-	-	-	-	-	-
7.5	.2953	9/32	4	1 1/2	1/2	6	3400075	62.75	7.215 - 8.001	95.95	73.90	66.55	62.90	59.20	56.15	51.95
8.0	.3150	9/32	4	1 1/2	1/2	6	3400080	62.75	-	-	-	-	-	-	-	-
8.5	.3346	9/32	4	1 1/2	5/8	6	3400085	64.40	8.002 - 8.814	97.65	75.70	68.25	64.70	60.90	57.90	53.65
9.0	.3543	5/16	4	1 3/4	5/8	7	3400090	64.40	8.815 - 9.601	97.65	75.70	68.25	64.70	60.90	57.90	53.65
9.5	.3740	5/16	4	1 3/4	5/8	7	347837	62.85	-	-	-	-	-	-	-	-
10.0	.3937	5/16	4	1 3/4	5/8	7	3400100	66.95	9.602 - 10.389	100.00	78.05	70.65	67.10	63.35	60.30	56.10
10.5	.4134	3/8	4	1 3/4	5/8	7	3400105	70.35	10.390 - 11.201	103.50	81.55	74.20	70.55	66.95	63.80	59.60
11.0	.4331	3/8	4	1 3/4	5/8	7	3400110	70.35	-	-	-	-	-	-	-	-
11.5	.4528	3/8	4	1 3/4	5/8	7	3400115	71.25	11.202 - 11.989	104.35	82.35	74.95	71.40	67.65	64.70	60.40
12.0	.4724	7/16	6	2	5/8	8	3400120	83.50	11.990 - 12.776	119.90	95.70	87.65	83.70	79.60	76.20	71.55
12.5	.4921	7/16	6	2	5/8	8	3400125	83.50	-	-	-	-	-	-	-	-
13.0	.5118	7/16	6	2	5/8	8	3400130	89.50	12.777 - 13.564	125.85	101.65	93.55	89.65	85.55	82.20	77.45
13.5	.5315	7/16	6	2	5/8	8	3400135	89.50	-	-	-	-	-	-	-	-
14.0	.5512	7/16	6	2	5/8	8	3400140	89.50	13.565 - 14.376	125.85	101.65	93.55	89.65	85.55	82.20	77.45
14.5	.5709	7/16	6	2	5/8	8	3400145	92.30	14.377 - 15.164	128.90	104.60	96.55	92.55	88.50	85.20	80.45
15.0	.5906	7/16	6	2	5/8	8	3400150	92.30	-	-	-	-	-	-	-	-
15.5	.6102	9/16	6	2 1/4	5/8	9	3400155	92.30	15.165 - 15.951	128.90	104.60	96.55	92.55	88.50	85.20	80.45
16.0	.6299	9/16	6	2 1/4	5/8	9	3400160	93.65	15.952 - 16.739	130.20	105.95	97.80	93.80	89.80	86.35	81.70
16.5	.6496	9/16	6	2 1/4	5/8	9	3400165	93.65	-	-	-	-	-	-	-	-
17.0	.6693	9/16	6	2 1/4	5/8	9	3400170	93.65	16.740 - 17.551	130.20	105.95	97.80	93.80	89.80	86.35	81.70
17.5	.6890	9/16	6	2 1/4	5/8	9	3400175	93.65	-	-	-	-	-	-	-	-
18.0	.7087	9/16	6	2 1/4	5/8	9	3400180	97.30	17.552 - 18.339	133.80	109.60	101.50	97.55	93.50	90.10	85.40
18.5	.7283	5/8	6	2 1/2	3/4	9 1/2	3400185	97.30	18.340 - 19.126	133.80	109.60	101.50	97.55	93.50	90.10	85.40
19.0	.7480	5/8	6	2 1/2	3/4	9 1/2	3400190	97.30	-	-	-	-	-	-	-	-
19.5	.7677	5/8	6	2 1/2	3/4	9 1/2	3400195	100.00	19.127 - 19.914	136.45	112.35	104.20	100.15	96.15	92.75	88.15
20.0	.7874	5/8	6	2 1/2	3/4	9 1/2	3400200	100.00	19.915 - 20.726	136.45	112.35	104.20	100.15	96.15	92.75	88.15
20.5	.8071	5/8	6	2 1/2	3/4	9 1/2	3400205	100.00	-	-	-	-	-	-	-	-
21.0	.8268	5/8	6	2 1/2	3/4	9 1/2	3400210	103.35	20.727 - 21.514	139.85	115.60	107.50	103.50	99.50	96.15	91.50
21.5	.8465	5/8	6	2 1/2	3/4	9 1/2	3400215	103.35	-	-	-	-	-	-	-	-
22.0	.8661	3/4	6	2 5/8	3/4	10	3400220	103.35	21.515 - 22.301	139.85	115.60	107.50	103.50	99.50	96.15	91.50
22.5	.8858	3/4	6	2 5/8	3/4	10	3400225	122.20	22.302 - 23.089	160.05	134.90	126.50	122.45	118.20	114.70	109.80
23.0	.9055	3/4	6	2 5/8	3/4	10	3400230	122.20	-	-	-	-	-	-	-	-
23.5	.9252	3/4	8	2 5/8	3/4	10	3400235	122.20	23.090 - 23.901	160.05	134.90	126.50	122.45	118.20	114.70	109.80
24.0	.9449	3/4	8	2 5/8	3/4	10	3400240	127.40	23.902 - 24.689	165.15	140.00	131.65	127.55	123.30	119.85	115.00
24.5	.9646	3/4	8	2 5/8	3/4	10	3400245	127.40	-	-	-	-	-	-	-	-
25.0	.9843	7/8	8	2 3/4	3/4	10 1/2	3400250	127.40	24.690 - 25.476	165.15	140.00	131.65	127.55	123.30	119.85	115.00
25.5	1.0039	7/8	8	2 3/4	3/4	10 1/2	3400255	130.35	25.477 - 27.076	166.75	142.60	134.50	130.60	126.60	123.25	118.50
26.0	1.0236	7/8	8	2 3/4	3/4	10 1/2	3400260	130.35	-	-	-	-	-	-	-	-
27.0	1.0630	7/8	8	2 3/4	3/4	10 1/2	3400270	130.35	-	-	-	-	-	-	-	-
28.0	1.1024	7/8	8	2 7/8	7/8	11	3400280	139.70	27.077 - 28.651	175.95	151.80	143.80	139.85	135.85	132.50	127.85
29.0	1.1417	1	8	2 7/8	7/8	11	3400290	145.95	28.652 - 30.239	182.25	158.25	150.05	146.15	142.10	138.75	134.15
30.0	1.1811	1	8	2 7/8	7/8	11	3400300	145.95	-	-	-	-	-	-	-	-
31.0	1.2205	1	8	3	7/8	11 1/2	3400310	153.45	30.240 - 31.826	189.75	165.60	157.60	153.65	149.65	146.30	141.65
32.0	1.2598	1	8	3	7/8	11 1/2	3400320	160.50	31.827 - 33.414	196.85	172.80	164.70	160.80	156.70	153.30	148.60
33.0	1.2992	1	8	3	7/8	11 1/2	3400330	160.50	-	-	-	-	-	-	-	-
34.0	1.3386	1	8	3 1/4	7/8	12	3400340	169.45	33.415 - 35.001	205.70	181.65	173.55	169.60	165.55	162.20	157.60
35.0	1.3780	1	8	3 1/4	7/8	12	3400350	169.45	-	-	-	-	-	-	-	-
36.0	1.4173	1 1/4	8	3 1/4	7/8	12	3400360	187.00	35.002 - 36.589	223.25	199.15	191.15	187.15	183.20	179.80	175.10
37.0	1.4567	1 1/4	8	3 1/2	7/8	12 1/2	3400370	196.65	36.590 - 38.176	233.05	208.95	200.85	196.95	192.90	189.50	184.90

CARBIDE TIPPED DECIMAL SIZE CHUCKING REAMERS

TYPE 3400 - STRAIGHT SHANK - STRAIGHT FLUTES
STANDARD DECIMAL DIAMETER REAMERS (.0005" INCREMENTS)
THIS PAGE .1560" THRU .3055"

For fractional, wire, letter sizes and dimensions, see pages 62 & 63.

DECIMAL SIZE	EDP NO.	PRICE EACH	DECIMAL SIZE	EDP NO.	PRICE EACH	DECIMAL SIZE	EDP NO.	PRICE EACH	DECIMAL SIZE	EDP NO.	PRICE EACH	DECIMAL SIZE	EDP NO.	PRICE EACH
.1560	34001560	\$66.40	.1860	34001860	\$61.80	.2160	34002160	\$61.80	.2460	34002460	\$61.80	.2760	34002760	\$62.75
.1565	34001565	66.40	.1865	347818	59.30	.2165	3400055	61.80	.2465	34002465	61.80	.2765	34002765	62.75
.1570	34001570	66.40	.1870	34001870	61.80	.2170	34002170	61.80	.2470	34002470	61.80	.2770	34002770	62.75
.1575	3400040	66.40	.1875	340006	47.10	.2175	34002175	61.80	.2475	34002475	61.80	.2775	34002775	62.75
.1580	34001580	66.40	.1880	34001880	61.80	.2180	34002180	61.80	.2480	3400063	61.80	.2780	34002780	62.75
.1585	34001585	66.40	.1885	347819	59.30	.2185	34002185	61.80	.2485	34002485	61.80	.2785	34002785	62.75
.1590	34001590	66.40	.1890	3400048	61.80	.2190	34002190	61.80	.2490	347824	59.30	.2790	34002790	62.75
.1595	34001595	66.40	.1895	34001895	61.80	.2195	34002195	61.80	.2495	34002495	61.80	.2795	3400071	62.75
.1600	34001600	66.40	.1900	34001900	61.80	.2200	34002200	61.80	.2500	340008	47.10	.2800	34002800	62.75
.1605	34001605	66.40	.1905	34001905	61.80	.2205	3400056	61.80	.2505	34002505	61.80	.2805	34002805	62.75
.1610	34001610	66.40	.1910	34001910	61.80	.2210	34002210	61.80	.2510	347825	59.30	.2810	34002810	62.75
.1615	34001615	66.40	.1915	34001915	61.80	.2215	34002215	64.70	.2515	34002515	61.80	.2815	34002815	62.75
.1620	34001620	66.40	.1920	34001920	61.80	.2220	34002220	64.70	.2520	3400064	61.80	.2820	34002820	62.75
.1625	34001625	66.40	.1925	34001925	61.80	.2225	34002225	64.70	.2525	34002525	61.80	.2825	34002825	62.75
.1630	34001630	66.40	.1930	34001930	61.80	.2230	34002230	64.70	.2530	34002530	61.80	.2830	34002830	62.75
.1635	34001635	66.40	.1935	34001935	61.80	.2235	34002235	64.70	.2535	34002535	62.75	.2835	3400072	62.75
.1640	34001640	66.40	.1940	34001940	61.80	.2240	34002240	64.70	.2540	34002540	62.75	.2840	34002840	62.75
.1645	34001645	66.40	.1945	34001945	61.80	.2245	34002245	64.70	.2545	34002545	62.75	.2845	34002845	62.75
.1650	34001650	66.40	.1950	34001950	61.80	.2250	34002250	64.70	.2550	34002550	62.75	.2850	34002850	62.75
.1655	34001655	66.40	.1955	34001955	61.80	.2255	34002255	64.70	.2555	34002555	62.75	.2855	34002855	62.75
.1660	34001660	66.40	.1960	34001960	61.80	.2260	34002260	64.70	.2560	34002560	62.75	.2860	34002860	62.75
.1665	34001665	66.40	.1965	34001965	61.80	.2265	34002265	64.70	.2565	34002565	62.75	.2865	34002865	62.75
.1670	34001670	66.40	.1970	34001970	61.80	.2270	34002270	64.70	.2570	34002570	62.75	.2870	34002870	62.75
.1675	34001675	66.40	.1975	34001975	61.80	.2275	34002275	64.70	.2575	34002575	62.75	.2875	34002875	62.75
.1680	34001680	66.40	.1980	34001980	61.80	.2280	34002280	64.70	.2580	34002580	62.75	.2880	34002880	62.75
.1685	34001685	66.40	.1985	34001985	61.80	.2285	34002285	64.70	.2585	34002585	62.75	.2885	34002885	62.75
.1690	34001690	66.40	.1990	34001990	61.80	.2290	34002290	64.70	.2590	34002590	62.75	.2890	34002890	62.75
.1695	34001695	66.40	.1995	34001995	61.80	.2295	34002295	64.70	.2595	34002595	62.75	.2895	34002895	62.75
.1700	34001700	66.40	.2000	34002000	61.80	.2300	34002300	64.70	.2600	34002600	62.75	.2900	34002900	62.75
.1705	34001705	66.40	.2005	34002005	61.80	.2305	34002305	64.70	.2605	34002605	62.75	.2905	34002905	62.75
.1710	34001710	66.40	.2010	34002010	61.80	.2310	34002310	64.70	.2610	34002610	62.75	.2910	34002910	62.75
.1715	34001715	66.40	.2015	34002015	61.80	.2315	34002315	64.70	.2615	34002615	62.75	.2915	34002915	62.75
.1720	34001720	66.40	.2020	34002020	61.80	.2320	34002320	64.70	.2620	34002620	62.75	.2920	34002920	62.75
.1725	34001725	66.40	.2025	34002025	61.80	.2325	34002325	64.70	.2625	34002625	62.75	.2925	34002925	62.75
.1730	34001730	66.40	.2030	34002030	61.80	.2330	34002330	64.70	.2630	34002630	62.75	.2930	34002930	62.75
.1735	34001735	66.40	.2035	34002035	61.80	.2335	34002335	64.70	.2635	34002635	62.75	.2935	34002935	62.75
.1740	34001740	66.40	.2040	34002040	61.80	.2340	34002340	64.70	.2640	34002640	62.75	.2940	34002940	62.75
.1745	34001745	66.40	.2045	34002045	61.80	.2345	34002345	64.70	.2645	34002645	62.75	.2945	34002945	62.75
.1750	34001750	66.40	.2050	34002050	61.80	.2350	34002350	64.70	.2650	34002650	62.75	.2950	34002950	62.75
.1755	34001755	66.40	.2055	34002055	61.80	.2355	34002355	64.70	.2655	34002655	62.75	.2955	34002955	62.75
.1760	34001760	66.40	.2060	34002060	61.80	.2360	34002360	64.70	.2660	34002660	62.75	.2960	34002960	62.75
.1765	34001765	66.40	.2065	34002065	61.80	.2365	34002365	64.70	.2665	34002665	62.75	.2965	34002965	62.75
.1770	34001770	61.80	.2070	34002070	61.80	.2370	34002370	64.70	.2670	34002670	62.75	.2970	34002970	62.75
.1775	34001775	61.80	.2075	34002075	61.80	.2375	34002375	64.70	.2675	34002675	62.75	.2975	34002975	62.75
.1780	34001780	61.80	.2080	34002080	61.80	.2380	34002380	64.70	.2680	34002680	62.75	.2980	34002980	62.75
.1785	34001785	61.80	.2085	34002085	61.80	.2385	34002385	61.80	.2685	34002685	62.75	.2985	34002985	62.75
.1790	34001790	61.80	.2090	34002090	61.80	.2390	34002390	61.80	.2690	34002690	62.75	.2990	34002990	62.75
.1795	34001795	61.80	.2095	34002095	61.80	.2395	34002395	61.80	.2695	34002695	62.75	.2995	34002995	62.75
.1800	34001800	61.80	.2100	34002100	61.80	.2400	34002400	61.80	.2700	34002700	62.75	.3000	34003000	62.75
.1805	34001805	61.80	.2105	34002105	61.80	.2405	34002405	61.80	.2705	34002705	62.75	.3005	34003005	62.75
.1810	34001810	61.80	.2110	34002110	61.80	.2410	34002410	61.80	.2710	34002710	62.75	.3010	34003010	62.75
.1815	34001815	61.80	.2115	34002115	61.80	.2415	34002415	61.80	.2715	34002715	62.75	.3015	34003015	62.75
.1820	34001820	61.80	.2120	34002120	61.80	.2420	34002420	61.80	.2720	34002720	62.75	.3020	34003020	62.75
.1825	34001825	61.80	.2125	34002125	61.80	.2425	34002425	61.80	.2725	34002725	62.75	.3025	34003025	62.75
.1830	34001830	61.80	.2130	34002130	61.80	.2430	34002430	61.80	.2730	34002730	62.75	.3030	34003030	62.75
.1835	34001835	61.80	.2135	34002135	61.80	.2435	34002435	61.80	.2735	34002735	62.75	.3035	34003035	62.75
.1840	34001840	61.80	.2140	34002140	61.80	.2440	34002440	61.80	.2740	34002740	62.75	.3040	34003040	62.75
.1845	34001845	61.80	.2145	34002145	61.80	.2445	34002445	61.80	.2745	34002745	62.75	.3045	34003045	62.75
.1850	3400047	61.80	.2150	34002150	61.80	.2450	34002450	61.80	.2750	34002750	62.75	.3050	34003050	62.75
.1855	34001855	61.80	.2155	34002155	61.80	.2455	34002455	61.80	.2755	34002755	62.75	.3055	34003055	62.75

CARBIDE TIPPED DECIMAL SIZE CHUCKING REAMERS

TYPE 3400 - STRAIGHT SHANK - STRAIGHT FLUTES
STANDARD DECIMAL DIAMETER REAMERS (.0005" INCREMENTS)
THIS PAGE .3060" THRU .4555"

For fractional, wire, letter sizes and dimensions, see pages 62 & 63.

DECIMAL SIZE	EDP NO.	PRICE EACH	DECIMAL SIZE	EDP NO.	PRICE EACH	DECIMAL SIZE	EDP NO.	PRICE EACH	DECIMAL SIZE	EDP NO.	PRICE EACH	DECIMAL SIZE	EDP NO.	PRICE EACH
.3060	34003060	\$62.75	.3360	34003360	\$64.40	.3660	34003660	\$64.40	.3960	34003960	\$66.95	.4260	34004260	\$70.35
.3065	34003065	62.75	.3365	34003365	64.40	.3665	34003665	64.40	.3965	34003965	66.95	.4265	34004265	70.35
.3070	34003070	62.75	.3370	34003370	64.40	.3670	34003670	64.40	.3970	34003970	66.95	.4270	34004270	70.35
.3075	34003075	62.75	.3375	34003375	64.40	.3675	34003675	64.40	.3975	34003975	66.95	.4275	34004275	70.35
.3080	34003080	62.75	.3380	34003380	64.40	.3680	34003680	64.40	.3980	34003980	66.95	.4280	34004280	70.35
.3085	34003085	62.75	.3385	34003385	64.40	.3685	34003685	64.40	.3985	34003985	66.95	.4285	34004285	70.35
.3090	34003090	62.75	.3390	34003390	64.40	.3690	34003690	64.40	.3990	34003990	66.95	.4290	34004290	70.35
.3095	34003095	62.75	.3395	34003395	64.40	.3695	34003695	64.40	.3995	34003995	66.95	.4295	34004295	70.35
.3100	34003100	62.75	.3400	34003400	64.40	.3700	34003700	64.40	.4000	34004000	66.95	.4300	34004300	70.35
.3105	34003105	62.75	.3405	34003405	64.40	.3705	34003705	64.40	.4005	34004005	66.95	.4305	34004305	70.35
.3110	3400079	62.75	.3410	34003410	64.40	.3710	34003710	64.40	.4010	34004010	66.95	.4310	34004310	70.35
.3115	347831	60.60	.3415	34003415	64.40	.3715	34003715	64.40	.4015	34004015	66.95	.4315	34004315	70.35
.3120	34003120	62.75	.3420	34003420	64.40	.3720	34003720	64.40	.4020	34004020	66.95	.4320	34004320	70.35
.3125	340010	48.15	.3425	3400087	64.40	.3725	34003725	64.40	.4025	34004025	66.95	.4325	34004325	70.35
.3130	34003130	62.75	.3430	34003430	64.40	.3730	34003730	64.40	.4030	34004030	66.95	.4330	34004330	70.35
.3135	347832	60.60	.3435	34003435	64.40	.3735	34003735	64.40	.4035	34004035	66.95	.4335	34004335	70.35
.3140	34003140	62.75	.3440	34003440	64.40	.3740	347837	62.85	.4040	34004040	66.95	.4340	34004340	70.35
.3145	34003145	62.75	.3445	34003445	64.40	.3745	34003745	64.40	.4045	34004045	66.95	.4345	34004345	70.35
.3150	3400080	62.75	.3450	34003450	64.40	.3750	340012	49.85	.4050	34004050	66.95	.4350	34004350	70.35
.3155	34003155	64.40	.3455	34003455	64.40	.3755	34003755	64.40	.4055	3400103	66.95	.4355	34004355	70.35
.3160	34003160	64.40	.3460	34003460	64.40	.3760	347838	62.85	.4060	34004060	66.95	.4360	34004360	70.35
.3165	34003165	64.40	.3465	3400088	64.40	.3765	34003765	64.40	.4065	34004065	66.95	.4365	347843	70.25
.3170	34003170	64.40	.3470	34003470	64.40	.3770	34003770	64.40	.4070	34004070	66.95	.4370	3400111	70.35
.3175	34003175	64.40	.3475	34003475	64.40	.3775	34003775	64.40	.4075	34004075	66.95	.4375	340014	55.85
.3180	34003180	64.40	.3480	34003480	64.40	.3780	3400096	64.40	.4080	34004080	66.95	.4380	34004380	70.35
.3185	34003185	64.40	.3485	34003485	64.40	.3785	34003785	66.95	.4085	34004085	66.95	.4385	347844	70.25
.3190	34003190	64.40	.3490	34003490	64.40	.3790	34003790	66.95	.4090	34004090	66.95	.4390	34004390	70.35
.3195	34003195	64.40	.3495	34003495	64.40	.3795	34003795	66.95	.4095	34004095	70.35	.4395	34004395	70.35
.3200	34003200	64.40	.3500	34003500	64.40	.3800	34003800	66.95	.4100	34004100	70.35	.4400	34004400	70.35
.3205	34003205	64.40	.3505	34003505	64.40	.3805	34003805	66.95	.4105	34004105	70.35	.4405	34004405	70.35
.3210	34003210	64.40	.3510	34003510	64.40	.3810	34003810	66.95	.4110	34004110	70.35	.4410	34004410	70.35
.3215	34003215	64.40	.3515	34003515	64.40	.3815	34003815	66.95	.4115	34004115	70.35	.4415	34004415	71.25
.3220	34003220	64.40	.3520	34003520	64.40	.3820	34003820	66.95	.4120	34004120	70.35	.4420	34004420	71.25
.3225	34003225	64.40	.3525	34003525	64.40	.3825	34003825	66.95	.4125	34004125	70.35	.4425	34004425	71.25
.3230	34003230	64.40	.3530	34003530	64.40	.3830	34003830	66.95	.4130	34004130	70.35	.4430	34004430	71.25
.3235	34003235	64.40	.3535	34003535	64.40	.3835	34003835	66.95	.4135	34004135	70.35	.4435	34004435	71.25
.3240	34003240	64.40	.3540	34003540	64.40	.3840	34003840	66.95	.4140	34004140	70.35	.4440	34004440	71.25
.3245	34003245	64.40	.3545	34003545	64.40	.3845	34003845	66.95	.4145	34004145	70.35	.4445	34004445	71.25
.3250	34003250	64.40	.3550	34003550	64.40	.3850	34003850	66.95	.4150	34004150	70.35	.4450	34004450	71.25
.3255	34003255	64.40	.3555	34003555	64.40	.3855	34003855	66.95	.4155	34004155	70.35	.4455	34004455	71.25
.3260	34003260	64.40	.3560	34003560	64.40	.3860	34003860	66.95	.4160	34004160	70.35	.4460	34004460	71.25
.3265	34003265	64.40	.3565	34003565	64.40	.3865	34003865	66.95	.4165	34004165	70.35	.4465	34004465	71.25
.3270	34003270	64.40	.3570	34003570	64.40	.3870	34003870	66.95	.4170	34004170	70.35	.4470	34004470	71.25
.3275	34003275	64.40	.3575	34003575	64.40	.3875	34003875	66.95	.4175	34004175	70.35	.4475	34004475	71.25
.3280	34003280	64.40	.3580	34003580	64.40	.3880	34003880	66.95	.4180	34004180	70.35	.4480	34004480	71.25
.3285	34003285	64.40	.3585	34003585	64.40	.3885	34003885	66.95	.4185	34004185	70.35	.4485	34004485	71.25
.3290	34003290	64.40	.3590	34003590	64.40	.3890	34003890	66.95	.4190	34004190	70.35	.4490	34004490	71.25
.3295	34003295	64.40	.3595	34003595	64.40	.3895	34003895	66.95	.4195	34004195	70.35	.4495	34004495	71.25
.3300	34003300	64.40	.3600	34003600	64.40	.3900	34003900	66.95	.4200	34004200	70.35	.4500	34004500	71.25
.3305	34003305	64.40	.3605	34003605	64.40	.3905	34003905	66.95	.4205	34004205	70.35	.4505	34004505	71.25
.3310	34003310	64.40	.3610	34003610	64.40	.3910	34003910	66.95	.4210	34004210	70.35	.4510	34004510	71.25
.3315	34003315	64.40	.3615	34003615	64.40	.3915	34003915	66.95	.4215	34004215	70.35	.4515	34004515	71.25
.3320	34003320	64.40	.3620	34003620	64.40	.3920	34003920	66.95	.4220	34004220	70.35	.4520	34004520	71.25
.3325	34003325	64.40	.3625	34003625	64.40	.3925	34003925	66.95	.4225	34004225	70.35	.4525	34004525	71.25
.3330	34003330	64.40	.3630	34003630	64.40	.3930	34003930	66.95	.4230	34004230	70.35	.4530	34004530	71.25
.3335	34003335	64.40	.3635	34003635	64.40	.3935	34003935	66.95	.4235	34004235	70.35	.4535	34004535	71.25
.3340	34003340	64.40	.3640	34003640	64.40	.3940	34003940	66.95	.4240	34004240	70.35	.4540	34004540	71.25
.3345	34003345	64.40	.3645	34003645	64.40	.3945	34003945	66.95	.4245	34004245	70.35	.4545	34004545	71.25
.3350	34003350	64.40	.3650	34003650	64.40	.3950	34003950	66.95	.4250	34004250	70.35	.4550	34004550	71.25
.3355	34003355	64.40	.3655	34003655	64.40	.3955	34003955	66.95	.4255	34004255	70.35	.4555	34004555	71.25

CARBIDE TIPPED DECIMAL SIZE CHUCKING REAMERS

TYPE 3400 - STRAIGHT SHANK - STRAIGHT FLUTES
STANDARD DECIMAL DIAMETER REAMERS (.0005" INCREMENTS)
THIS PAGE .4560" THRU .6055"

For fractional, wire and letter sizes, see pages 62 & 63.

DECIMAL SIZE	EDP NO.	PRICE EACH	DECIMAL SIZE	EDP NO.	PRICE EACH	DECIMAL SIZE	EDP NO.	PRICE EACH	DECIMAL SIZE	EDP NO.	PRICE EACH	DECIMAL SIZE	EDP NO.	PRICE EACH
.4560	34004560	\$71.25	.4860	34004860	\$83.50	.5160	34005160	\$89.50	.5460	34005460	\$89.50	.5760	34005760	\$92.30
.4565	34004565	71.25	.4865	34004865	83.50	.5165	34005165	89.50	.5465	34005465	89.50	.5765	34005765	92.30
.4570	34004570	71.25	.4870	34004870	83.50	.5170	34005170	89.50	.5470	34005470	89.50	.5770	34005770	92.30
.4575	34004575	71.25	.4875	34004875	83.50	.5175	34005175	89.50	.5475	34005475	89.50	.5775	34005775	92.30
.4580	34004580	71.25	.4880	34004880	83.50	.5180	34005180	89.50	.5480	34005480	89.50	.5780	34005780	92.30
.4585	34004585	71.25	.4885	34004885	83.50	.5185	34005185	89.50	.5485	34005485	89.50	.5785	34005785	92.30
.4590	34004590	71.25	.4890	34004890	83.50	.5190	34005190	89.50	.5490	34005490	89.50	.5790	34005790	92.30
.4595	34004595	71.25	.4895	34004895	83.50	.5195	34005195	89.50	.5495	34005495	89.50	.5795	34005795	92.30
.4600	34004600	71.25	.4900	34004900	83.50	.5200	34005200	89.50	.5500	34005500	89.50	.5800	34005800	92.30
.4605	34004605	71.25	.4905	34004905	83.50	.5205	34005205	89.50	.5505	34005505	89.50	.5805	34005805	92.30
.4610	34004610	71.25	.4910	34004910	83.50	.5210	34005210	89.50	.5510	34005510	89.50	.5810	34005810	92.30
.4615	34004615	71.25	.4915	34004915	83.50	.5215	34005215	89.50	.5515	34005515	89.50	.5815	34005815	92.30
.4620	34004620	71.25	.4920	34004920	83.50	.5220	34005220	89.50	.5520	34005520	89.50	.5820	34005820	92.30
.4625	34004625	71.25	.4925	34004925	83.50	.5225	34005225	89.50	.5525	34005525	89.50	.5825	34005825	92.30
.4630	34004630	71.25	.4930	34004930	83.50	.5230	34005230	89.50	.5530	34005530	89.50	.5830	34005830	92.30
.4635	34004635	71.25	.4935	34004935	83.50	.5235	34005235	89.50	.5535	34005535	89.50	.5835	34005835	92.30
.4640	34004640	71.25	.4940	34004940	83.50	.5240	34005240	89.50	.5540	34005540	89.50	.5840	34005840	92.30
.4645	34004645	71.25	.4945	34004945	83.50	.5245	34005245	89.50	.5545	34005545	89.50	.5845	34005845	92.30
.4650	34004650	71.25	.4950	34004950	83.50	.5250	34005250	89.50	.5550	34005550	89.50	.5850	34005850	92.30
.4655	34004655	71.25	.4955	34004955	83.50	.5255	34005255	89.50	.5555	34005555	89.50	.5855	34005855	92.30
.4660	34004660	71.25	.4960	34004960	83.50	.5260	34005260	89.50	.5560	34005560	89.50	.5860	34005860	92.30
.4665	34004665	71.25	.4965	34004965	83.50	.5265	34005265	89.50	.5565	34005565	89.50	.5865	34005865	92.30
.4670	34004670	71.25	.4970	34004970	83.50	.5270	34005270	89.50	.5570	34005570	89.50	.5870	34005870	92.30
.4675	34004675	71.25	.4975	34004975	83.50	.5275	34005275	89.50	.5575	34005575	89.50	.5875	34005875	92.30
.4680	34004680	71.25	.4980	34004980	83.50	.5280	34005280	89.50	.5580	34005580	89.50	.5880	34005880	92.30
.4685	3400119	71.25	.4985	34004985	83.50	.5285	34005285	89.50	.5585	34005585	89.50	.5885	34005885	92.30
.4690	34004690	71.25	.4990	347849	77.00	.5290	34005290	89.50	.5590	34005590	89.50	.5890	34005890	92.30
.4695	34004695	71.25	.4995	34004995	83.50	.5295	34005295	89.50	.5595	34005595	89.50	.5895	34005895	92.30
.4700	34004700	71.25	.5000	340016	67.35	.5300	34005300	89.50	.5600	34005600	89.50	.5900	34005900	92.30
.4705	34004705	71.25	.5005	34005005	83.50	.5305	34005305	89.50	.5605	34005605	89.50	.5905	34005905	92.30
.4710	34004710	71.25	.5010	347850	77.00	.5310	34005310	89.50	.5610	34005610	89.50	.5910	34005910	92.30
.4715	34004715	71.25	.5015	34005015	83.50	.5315	3400135	89.50	.5615	34005615	89.50	.5915	34005915	92.30
.4720	34004720	71.25	.5020	34005020	83.50	.5320	34005320	89.50	.5620	34005620	89.50	.5920	34005920	92.30
.4725	34004725	83.50	.5025	34005025	83.50	.5325	34005325	89.50	.5625	340018	73.30	.5925	34005925	92.30
.4730	34004730	83.50	.5030	34005030	83.50	.5330	34005330	89.50	.5630	3400143	89.50	.5930	34005930	92.30
.4735	34004735	83.50	.5035	34005035	89.50	.5335	34005335	89.50	.5635	34005635	89.50	.5935	34005935	92.30
.4740	34004740	83.50	.5040	34005040	89.50	.5340	34005340	89.50	.5640	34005640	89.50	.5940	34005940	92.30
.4745	34004745	83.50	.5045	34005045	89.50	.5345	34005345	89.50	.5645	34005645	89.50	.5945	3400151	92.30
.4750	34004750	83.50	.5050	34005050	89.50	.5350	34005350	89.50	.5650	34005650	89.50	.5950	34005950	92.30
.4755	34004755	83.50	.5055	34005055	89.50	.5355	34005355	89.50	.5655	34005655	89.50	.5955	34005955	92.30
.4760	34004760	83.50	.5060	34005060	89.50	.5360	34005360	89.50	.5660	34005660	89.50	.5960	34005960	92.30
.4765	34004765	83.50	.5065	34005065	89.50	.5365	34005365	89.50	.5665	34005665	92.30	.5965	34005965	92.30
.4770	34004770	83.50	.5070	34005070	89.50	.5370	34005370	89.50	.5670	34005670	92.30	.5970	34005970	92.30
.4775	34004775	83.50	.5075	34005075	89.50	.5375	34005375	89.50	.5675	34005675	92.30	.5975	34005975	92.30
.4780	34004780	83.50	.5080	34005080	89.50	.5380	34005380	89.50	.5680	34005680	92.30	.5980	34005980	92.30
.4785	34004785	83.50	.5085	34005085	89.50	.5385	34005385	89.50	.5685	34005685	92.30	.5985	34005985	92.30
.4790	34004790	83.50	.5090	34005090	89.50	.5390	34005390	89.50	.5690	34005690	92.30	.5990	34005990	92.30
.4795	34004795	83.50	.5095	34005095	89.50	.5395	34005395	89.50	.5695	34005695	92.30	.5995	34005995	92.30
.4800	34004800	83.50	.5100	34005100	89.50	.5400	34005400	89.50	.5700	34005700	92.30	.6000	34006000	92.30
.4805	34004805	83.50	.5105	34005105	89.50	.5405	34005405	89.50	.5705	34005705	92.30	.6005	34006005	92.30
.4810	34004810	83.50	.5110	34005110	89.50	.5410	34005410	89.50	.5710	34005710	92.30	.6010	34006010	92.30
.4815	34004815	83.50	.5115	34005115	89.50	.5415	34005415	89.50	.5715	34005715	92.30	.6015	34006015	92.30
.4820	34004820	83.50	.5120	34005120	89.50	.5420	34005420	89.50	.5720	34005720	92.30	.6020	34006020	92.30
.4825	34004825	83.50	.5125	34005125	89.50	.5425	34005425	89.50	.5725	34005725	92.30	.6025	34006025	92.30
.4830	34004830	83.50	.5130	34005130	89.50	.5430	34005430	89.50	.5730	34005730	92.30	.6030	34006030	92.30
.4835	34004835	83.50	.5135	34005135	89.50	.5435	34005435	89.50	.5735	34005735	92.30	.6035	34006035	92.30
.4840	34004840	83.50	.5140	34005140	89.50	.5440	34005440	89.50	.5740	34005740	92.30	.6040	34006040	92.30
.4845	34004845	83.50	.5145	34005145	89.50	.5445	34005445	89.50	.5745	34005745	92.30	.6045	34006045	92.30
.4850	34004850	83.50	.5150	34005150	89.50	.5450	34005450	89.50	.5750	34005750	92.30	.6050	34006050	92.30
.4855	34004855	83.50	.5155	34005155	89.50	.5455	34005455	89.50	.5755	34005755	92.30	.6055	34006055	92.30

CARBIDE TIPPED DECIMAL SIZE CHUCKING REAMERS

TYPE 3400 - STRAIGHT SHANK - STRAIGHT FLUTES
STANDARD DECIMAL DIAMETER REAMERS (.0005" INCREMENTS)
THIS PAGE .6060" THRU .7555"

For fractional, wire and letter sizes, see pages 62 & 63.

DECIMAL SIZE	EDP NO.	PRICE EACH	DECIMAL SIZE	EDP NO.	PRICE EACH	DECIMAL SIZE	EDP NO.	PRICE EACH	DECIMAL SIZE	EDP NO.	PRICE EACH	DECIMAL SIZE	EDP NO.	PRICE EACH
.6060	34006060	\$92.30	.6360	34006360	\$93.65	.6660	34006660	\$93.65	.6960	34006960	\$97.30	.7260	34007260	\$97.30
.6065	34006065	92.30	.6365	34006365	93.65	.6665	34006665	93.65	.6965	34006965	97.30	.7265	34007265	97.30
.6070	34006070	92.30	.6370	34006370	93.65	.6670	34006670	93.65	.6970	34006970	97.30	.7270	34007270	97.30
.6075	34006075	92.30	.6375	34006375	93.65	.6675	34006675	93.65	.6975	34006975	97.30	.7275	34007275	97.30
.6080	34006080	92.30	.6380	34006380	93.65	.6680	34006680	93.65	.6980	34006980	97.30	.7280	34007280	97.30
.6085	34006085	92.30	.6385	34006385	93.65	.6685	34006685	93.65	.6985	34006985	97.30	.7285	34007285	97.30
.6090	34006090	92.30	.6390	34006390	93.65	.6690	34006690	93.65	.6990	34006990	97.30	.7290	34007290	97.30
.6095	34006095	92.30	.6395	34006395	93.65	.6695	34006695	93.65	.6995	34006995	97.30	.7295	34007295	97.30
.6100	34006100	92.30	.6400	34006400	93.65	.6700	34006700	93.65	.7000	34007000	97.30	.7300	34007300	97.30
.6105	34006105	92.30	.6405	34006405	93.65	.6705	34006705	93.65	.7005	34007005	97.30	.7305	34007305	97.30
.6110	34006110	92.30	.6410	34006410	93.65	.6710	34006710	93.65	.7010	34007010	97.30	.7310	34007310	97.30
.6115	34006115	92.30	.6415	34006415	93.65	.6715	34006715	93.65	.7015	34007015	97.30	.7315	34007315	97.30
.6120	34006120	92.30	.6420	34006420	93.65	.6720	34006720	93.65	.7020	34007020	97.30	.7320	34007320	97.30
.6125	34006125	92.30	.6425	34006425	93.65	.6725	34006725	93.65	.7025	34007025	97.30	.7325	34007325	97.30
.6130	34006130	92.30	.6430	34006430	93.65	.6730	34006730	93.65	.7030	34007030	97.30	.7330	34007330	97.30
.6135	34006135	92.30	.6435	34006435	93.65	.6735	34006735	93.65	.7035	34007035	97.30	.7335	34007335	97.30
.6140	34006140	92.30	.6440	34006440	93.65	.6740	34006740	93.65	.7040	34007040	97.30	.7340	34007340	97.30
.6145	34006145	92.30	.6445	34006445	93.65	.6745	34006745	93.65	.7045	34007045	97.30	.7345	34007345	97.30
.6150	34006150	92.30	.6450	34006450	93.65	.6750	34006750	93.65	.7050	34007050	97.30	.7350	34007350	97.30
.6155	34006155	92.30	.6455	34006455	93.65	.6755	34006755	93.65	.7055	34007055	97.30	.7355	34007355	97.30
.6160	34006160	92.30	.6460	34006460	93.65	.6760	34006760	93.65	.7060	34007060	97.30	.7360	34007360	97.30
.6165	34006165	92.30	.6465	34006465	93.65	.6765	34006765	93.65	.7065	34007065	97.30	.7365	34007365	97.30
.6170	34006170	92.30	.6470	34006470	93.65	.6770	34006770	93.65	.7070	34007070	97.30	.7370	34007370	97.30
.6175	34006175	92.30	.6475	34006475	93.65	.6775	34006775	93.65	.7075	34007075	97.30	.7375	34007375	97.30
.6180	34006180	92.30	.6480	34006480	93.65	.6780	34006780	93.65	.7080	34007080	97.30	.7380	34007380	97.30
.6185	34006185	92.30	.6485	34006485	93.65	.6785	34006785	93.65	.7085	34007085	97.30	.7385	34007385	97.30
.6190	34006190	92.30	.6490	34006490	93.65	.6790	34006790	93.65	.7090	34007090	97.30	.7390	34007390	97.30
.6195	34006195	92.30	.6495	34006495	93.65	.6795	34006795	93.65	.7095	34007095	97.30	.7395	34007395	97.30
.6200	34006200	92.30	.6500	34006500	93.65	.6800	34006800	93.65	.7100	34007100	97.30	.7400	34007400	97.30
.6205	34006205	92.30	.6505	34006505	93.65	.6805	34006805	93.65	.7105	34007105	97.30	.7405	34007405	97.30
.6210	34006210	92.30	.6510	34006510	93.65	.6810	34006810	93.65	.7110	34007110	97.30	.7410	34007410	97.30
.6215	34006215	92.30	.6515	34006515	93.65	.6815	34006815	93.65	.7115	34007115	97.30	.7415	34007415	97.30
.6220	3400158	92.30	.6520	34006520	93.65	.6820	34006820	93.65	.7120	34007120	97.30	.7420	34007420	97.30
.6225	34006225	92.30	.6525	34006525	93.65	.6825	34006825	93.65	.7125	34007125	97.30	.7425	34007425	97.30
.6230	34006230	92.30	.6530	34006530	93.65	.6830	34006830	93.65	.7130	34007130	97.30	.7430	34007430	97.30
.6235	34006235	92.30	.6535	3400166	93.65	.6835	34006835	93.65	.7135	34007135	97.30	.7435	34007435	97.30
.6240	347862	92.30	.6540	34006540	93.65	.6840	34006840	93.65	.7140	34007140	97.30	.7440	34007440	97.30
.6245	34006245	92.30	.6545	34006545	93.65	.6845	34006845	93.65	.7145	34007145	97.30	.7445	34007445	97.30
.6250	340020	76.30	.6550	34006550	93.65	.6850	3400174	93.65	.7150	34007150	97.30	.7450	34007450	97.30
.6255	34006255	92.30	.6555	34006555	93.65	.6855	34006855	93.65	.7155	34007155	97.30	.7455	34007455	97.30
.6260	347863	92.30	.6560	34006560	93.65	.6860	34006860	93.65	.7160	34007160	97.30	.7460	34007460	97.30
.6265	34006265	92.30	.6565	34006565	93.65	.6865	34006865	93.65	.7165	3400182	97.30	.7465	34007465	97.30
.6270	34006270	92.30	.6570	34006570	93.65	.6870	34006870	93.65	.7170	34007170	97.30	.7470	34007470	97.30
.6275	34006275	92.30	.6575	3400167	93.65	.6875	340022	77.60	.7175	34007175	97.30	.7475	34007475	97.30
.6280	34006280	92.30	.6580	34006580	93.65	.6880	34006880	93.65	.7180	34007180	97.30	.7480	3400190	97.30
.6285	34006285	93.65	.6585	34006585	93.65	.6885	34006885	93.65	.7185	34007185	97.30	.7485	34007485	97.30
.6290	34006290	93.65	.6590	34006590	93.65	.6890	3400175	93.65	.7190	34007190	97.30	.7490	347874	97.30
.6295	34006295	93.65	.6595	34006595	93.65	.6895	34006895	93.65	.7195	34007195	97.30	.7495	34007495	97.30
.6300	34006300	93.65	.6600	34006600	93.65	.6900	34006900	93.65	.7200	34007200	97.30	.7500	340024	81.25
.6305	34006305	93.65	.6605	34006605	93.65	.6905	34006905	93.65	.7205	3400183	97.30	.7505	34007505	97.30
.6310	34006310	93.65	.6610	34006610	93.65	.6910	34006910	93.65	.7210	34007210	97.30	.7510	347875	97.30
.6315	34006315	93.65	.6615	34006615	93.65	.6915	34006915	97.30	.7215	34007215	97.30	.7515	34007515	97.30
.6320	34006320	93.65	.6620	34006620	93.65	.6920	34006920	97.30	.7220	34007220	97.30	.7520	3400191	97.30
.6325	34006325	93.65	.6625	34006625	93.65	.6925	34006925	97.30	.7225	34007225	97.30	.7525	34007525	97.30
.6330	34006330	93.65	.6630	34006630	93.65	.6930	34006930	97.30	.7230	34007230	97.30	.7530	34007530	97.30
.6335	34006335	93.65	.6635	34006635	93.65	.6935	34006935	97.30	.7235	34007235	97.30	.7535	34007535	100.00
.6340	34006340	93.65	.6640	34006640	93.65	.6940	34006940	97.30	.7240	34007240	97.30	.7540	34007540	100.00
.6345	34006345	93.65	.6645	34006645	93.65	.6945	34006945	97.30	.7245	34007245	97.30	.7545	34007545	100.00
.6350	34006350	93.65	.6650	34006650	93.65	.6950	34006950	97.30	.7250	34007250	97.30	.7550	34007550	100.00
.6355	34006355	93.65	.6655	34006655	93.65	.6955	34006955	97.30	.7255	34007255	97.30	.7555	34007555	100.00

CARBIDE TIPPED SEMI-FINISHED REAMERS

Semi-finished reamers are furnished with a tool diameter above the largest diameter indicated in the size range column below.

Before semi-finished reamers can be used, the tool diameter must be finished ground and relieved. The reamer end must be faced and chamfered.

Semi-finished reamers are used by regrind shops or distributors and users with regrind facilities.

For detailed description of each specific type, see page indicated in table below.

Call for pricing on Types 3420 & 3467 semi-finished reamers.



SEMI-FINISHED TOOL DIAMETER RANGE	TYPE 3400 PAGE 62		TYPE 3402 PAGE 70		TYPE 3410 PAGE 82		TYPE 3430 PAGE 90	TYPE 3440 PAGE 90	BOTH TYPES PRICE	TYPE 3450 PAGE 72		TYPE 3465 PAGE 86	
	EDP NO.	PRICE EACH	EDP NO.	PRICE EACH	EDP NO.	PRICE EACH	EDP NO.	EDP NO.		EDP NO.	PRICE EACH	EDP NO.	PRICE EACH
.1770 - .2040	340006SF	\$40.15	-	-	341006SF	\$56.45	343006SF	344006SF	\$52.30	345006SF	\$48.00	-	-
.2041 - .2210	340007SF	40.15	-	-	341007SF	56.45	343007SF	344007SF	52.30	345007SF	48.00	-	-
.2211 - .2380	34002344SF	42.45	-	-	34102344SF	56.45	34302344SF	34402344SF	52.30	34502344SF	48.00	-	-
.2381 - .2530	340008SF	40.15	340208SF	\$46.30	341008SF	56.45	343008SF	344008SF	52.30	345008SF	48.00	-	-
.2531 - .2840	340009SF	40.90	340209SF	46.95	341009SF	56.60	343009SF	344009SF	52.30	345009SF	49.10	-	-
.2841 - .3150	340010SF	40.90	340210SF	46.95	341010SF	56.60	343010SF	344010SF	60.75	345010SF	49.10	346510SF	\$74.05
.3151 - .3470	340011SF	42.35	340211SF	48.75	341011SF	62.35	343011SF	344011SF	61.35	345011SF	50.85	346511SF	74.05
.3471 - .3780	340012SF	38.90	340212SF	44.80	341012SF	62.85	343012SF	344012SF	66.50	345012SF	50.85	346512SF	69.30
.3781 - .4090	340013SF	44.35	340213SF	51.10	341013SF	65.75	343013SF	344013SF	67.35	345013SF	53.30	346513SF	73.55
.4091 - .4410	340014SF	47.35	340214SF	54.45	341014SF	68.35	343014SF	344014SF	79.90	345014SF	57.65	346514SF	73.55
.4411 - .4720	340015SF	48.15	340215SF	56.00	341015SF	72.55	343015SF	344015SF	79.90	345015SF	62.35	346515SF	78.00
.4721 - .5030	340016SF	57.35	340216SF	65.90	341016SF	75.30	343016SF	344016SF	87.35	345016SF	66.85	346516SF	78.00
.5031 - .5340	340017SF	62.35	340217SF	71.25	341017SF	77.60	343017SF	344017SF	87.35	345017SF	68.55	346517SF	79.90
.5341 - .5660	340018SF	62.35	340218SF	71.25	341018SF	77.60	343018SF	344018SF	92.15	345018SF	68.55	346518SF	79.90
.5661 - .5970	340019SF	64.85	340219SF	74.50	341019SF	79.90	343019SF	344019SF	92.15	345019SF	71.30	346519SF	83.50
.5971 - .6280	340020SF	64.85	340220SF	74.50	341020SF	79.90	343020SF	344020SF	94.60	345020SF	71.30	346520SF	83.50
.6281 - .6590	340021SF	65.95	340221SF	75.90	341021SF	82.20	343021SF	344021SF	94.60	345021SF	72.55	346521SF	91.25
.6591 - .6910	340022SF	65.95	340222SF	75.90	341022SF	87.55	343022SF	344022SF	99.00	345022SF	72.55	346522SF	91.25
.6911 - .7220	340023SF	69.00	340223SF	79.40	341023SF	88.75	343023SF	344023SF	99.00	345023SF	75.90	346523SF	94.75
.7221 - .7530	340024SF	69.00	340224SF	79.40	341024SF	90.15	343024SF	344024SF	101.50	345024SF	75.90	346524SF	94.75
.7531 - .7840	340025SF	71.40	340225SF	81.75	341025SF	92.40	343025SF	344025SF	101.50	345025SF	78.45	346525SF	102.10
.7841 - .8160	340026SF	71.40	340226SF	81.75	341026SF	92.40	343026SF	344026SF	110.25	345026SF	78.45	346526SF	102.10
.8161 - .8470	340027SF	74.25	340227SF	85.35	341027SF	97.40	343027SF	344027SF	110.25	345027SF	81.60	346527SF	106.05
.8471 - .8780	340028SF	77.00	340228SF	88.50	341028SF	101.15	343028SF	344028SF	120.50	345028SF	84.75	346528SF	110.05
.8781 - .9090	340029SF	89.85	340229SF	103.90	341029SF	117.90	343029SF	344029SF	120.50	345029SF	98.60	346529SF	117.10
.9091 - .9410	340030SF	89.85	340230SF	103.90	341030SF	117.90	343030SF	344030SF	132.65	345030SF	98.60	346530SF	117.10
.9411 - .9720	340031SF	94.10	340231SF	108.10	341031SF	123.55	343031SF	344031SF	132.65	345031SF	103.35	346531SF	121.70
.9721 - 1.0030	340032SF	94.10	340232SF	108.10	341032SF	123.55	343032SF	344032SF	139.25	345032SF	103.35	346532SF	121.70
1.0031 - 1.0660	340034SF	97.20	340234SF	148.60	341034SF	132.60	343034SF	344034SF	139.25	345034SF	107.00	346534SF	133.40
1.0661 - 1.1280	340036SF	105.20	340236SF	158.35	341036SF	136.70	343036SF	344036SF	162.95	345036SF	115.70	346536SF	133.40
1.1281 - 1.1905	340038SF	110.50	340238SF	167.75	341038SF	143.60	343038SF	344038SF	169.90	345038SF	121.00	346538SF	145.50
1.1906 - 1.2530	340040SF	116.80	340240SF	186.40	341040SF	152.05	343040SF	344040SF	199.10	345040SF	141.35	346540SF	145.50
1.2531 - 1.3155	340042SF	122.90	340242SF	201.00	341042SF	168.15	343042SF	344042SF	199.10	345042SF	141.35	346542SF	161.40
1.3156 - 1.3780	340044SF	130.35	340244SF	209.10	341044SF	184.30	343044SF	344044SF	201.80	345044SF	143.35	346544SF	168.90
1.3781 - 1.4405	340046SF	145.35	340246SF	213.45	341046SF	195.20	343046SF	344046SF	235.35	345046SF	158.40	346546SF	199.50
1.4406 - 1.5030	340048SF	153.65	340248SF	224.10	341048SF	206.20	343048SF	344048SF	282.65	345048SF	190.25	346548SF	205.45

CARBIDE TIPPED CHUCKING REAMERS

TYPE 3402 - TAPER SHANK - STRAIGHT FLUTES

Carbide tips brazed to one piece hardened alloy steel bodies. Straight polished flutes.

Designed and manufactured for maximum tool life. Used for all general types of reaming including low carbon steels, cast iron, non-ferrous metals and non-metals.



For metric sizes, see page 71.

For reamer tolerances and closer tolerance pricing, see page 60.

TOOL DIAMETER		MORSE TAPER	NO. OF FLUTES	LENGTH			EDP NO.	PRICE EACH	DECIMAL SIZE RANGE	PRICE EACH - FINISHED TO DECIMAL SIZE					
DECIMAL	FRAC.			FLT	CARB	OAL				1 PC.	2 PC.	3 PC.	4 PC.	5-7	8-14*
.2500	1/4	1	4	1 1/2	1/2	6	340208	\$54.30	.2381 - .2530	\$98.30	\$76.30	\$68.95	\$65.45	\$61.75	\$58.75
.2812	9/32	1	4	1 1/2	1/2	6	340209	55.35	.2531 - .2840	99.35	77.30	69.95	66.40	62.70	59.65
.3125	5/16	1	4	1 1/2	1/2	6	340210	55.35	.2841 - .3150	99.35	77.30	69.95	66.40	62.70	59.65
.3438	11/32	1	4	1 1/2	5/8	6	340211	57.45	.3151 - .3470	101.45	79.40	71.95	68.50	64.80	61.80
.3750	3/8	1	4	1 3/4	5/8	7	340212	52.70	.3471 - .3780	93.10	72.85	66.05	62.85	59.35	56.60
.4062	13/32	1	4	1 3/4	5/8	7	340213	60.25	.3781 - .4090	104.25	82.20	74.80	71.30	67.50	64.55
.4375	7/16	1	4	1 3/4	5/8	7	340214	64.10	.4091 - .4410	108.10	86.05	78.65	75.15	71.40	68.40
.4688	15/32	1	4	1 3/4	5/8	7	340215	65.80	.4411 - .4720	109.80	87.80	80.35	76.85	73.10	70.10
.5000	1/2	1	6	2	5/8	8	340216	77.45	.4721 - .5030	125.90	101.65	93.55	89.70	85.55	82.30
.5312	17/32	1	6	2	5/8	8	340217	83.70	.5031 - .5340	132.15	107.80	99.65	95.85	91.70	88.35
.5625	9/16	1	6	2	5/8	8	340218	83.70	.5341 - .5660	132.15	107.80	99.65	95.85	91.70	88.35
.5938	19/32	1	6	2	5/8	8	340219	87.70	.5661 - .5970	136.15	111.90	103.75	99.95	95.70	92.45
.6250	5/8	2	6	2 1/4	5/8	9	340220	87.70	.5971 - .6280	136.15	111.90	103.75	99.95	95.70	92.45
.6562	21/32	2	6	2 1/4	5/8	9	340221	89.25	.6281 - .6590	137.70	113.45	105.45	101.50	97.30	94.00
.6875	11/16	2	6	2 1/4	5/8	9	340222	89.25	.6591 - .6910	137.70	113.45	105.45	101.50	97.30	94.00
.7188	23/32	2	6	2 1/4	5/8	9	340223	93.35	.6911 - .7220	141.80	117.45	109.35	105.60	101.45	98.10
.7500	3/4	2	6	2 1/2	3/4	9 1/2	340224	93.35	.7221 - .7530	141.80	117.45	109.35	105.60	101.45	98.10
.7812	25/32	2	6	2 1/2	3/4	9 1/2	340225	96.25	.7531 - .7840	144.70	120.35	112.35	108.50	104.25	101.00
.8125	13/16	2	6	2 1/2	3/4	9 1/2	340226	96.25	.7841 - .8160	144.70	120.35	112.35	108.50	104.25	101.00
.8438	27/32	2	6	2 1/2	3/4	9 1/2	340227	100.40	.8161 - .8470	148.85	124.50	116.50	112.55	108.50	105.05
.8750	7/8	2	6	2 5/8	3/4	10	340228	104.25	.8471 - .8780	154.40	129.25	120.85	116.80	112.50	109.05
.9062	29/32	2	6	2 5/8	3/4	10	340229	122.20	.8781 - .9090	172.45	147.20	138.85	134.75	130.50	127.10
.9375	19/16	3	8	2 5/8	3/4	10	340230	122.20	.9091 - .9410	172.45	147.20	138.85	134.75	130.50	127.10
.9688	31/32	3	8	2 5/8	3/4	10	340231	127.40	.9411 - .9720	177.55	152.40	143.95	139.95	135.65	132.20
1.0000	1	3	8	2 3/4	3/4	10 1/2	340232	127.40	.9721 - 1.0030	177.55	152.40	143.95	139.95	135.65	132.20
1.0625	1 1/16	3	8	2 3/4	3/4	10 1/2	340234	174.90	1.0031 - 1.0660	223.10	199.00	191.00	187.05	182.85	179.65
1.1250	1 1/8	3	8	2 7/8	7/8	11	340236	186.30	1.0661 - 1.1280	234.45	210.30	202.25	198.35	194.35	191.05
1.1875	1 3/16	3	8	2 7/8	7/8	11	340238	197.30	1.1281 - 1.1905	245.60	221.35	213.30	209.40	205.25	202.10
1.2500	1 1/4	4	8	3	7/8	11 1/2	340240	219.35	1.1906 - 1.2530	267.50	243.30	235.30	231.35	227.25	224.00
1.3125	1 3/16	4	8	3	7/8	11 1/2	340242	236.50	1.2531 - 1.3155	284.65	260.45	252.45	248.55	244.40	241.15
1.3750	1 3/8	4	8	3 1/4	7/8	12	340244	245.95	1.3156 - 1.3780	294.20	270.00	262.00	258.15	254.00	250.80
1.4375	1 7/16	4	8	3 1/4	7/8	12	340246	251.10	1.3781 - 1.4405	299.30	275.20	267.05	263.25	259.05	255.85
1.5000	1 1/2	4	8	3 1/2	7/8	12 1/2	340248	263.65	1.4406 - 1.5030	311.85	287.75	279.60	275.80	271.55	268.30
1.5625	1 9/16	4	8	3 1/2	7/8	12 1/2	340250	284.55	1.5031 - 1.5660	332.70	308.60	300.50	296.65	292.50	289.25
1.6250	1 5/8	4	8	3 3/4	7/8	13	340252	294.35	1.5661 - 1.6280	342.60	318.45	310.30	306.50	302.35	299.10
1.6875	1 11/16	4	8	3 3/4	7/8	13	340254	331.00	1.6281 - 1.6910	379.25	355.05	347.05	343.10	339.10	335.85
1.7500	1 3/4	4	10	4	7/8	13 1/2	340256	331.00	1.6911 - 1.7530	379.25	355.05	347.05	343.10	339.10	335.85
1.8125	1 13/16	4	10	4	7/8	13 1/2	340258	331.00	1.7531 - 1.8160	379.25	355.05	347.05	343.10	339.10	335.85
1.8750	1 7/8	4	10	4 1/4	7/8	14	340260	346.90	1.8161 - 1.8780	395.05	370.85	362.75	358.90	354.80	351.55
1.9375	1 15/16	4	10	4 1/4	7/8	14	340262	346.90	1.8781 - 1.9410	395.05	370.85	362.75	358.90	354.80	351.55
2.0000	2	4	12	4 1/4	7/8	14	340264	346.90	1.9411 - 2.0030	395.05	370.85	362.75	358.90	354.80	351.55

LEXINGTON CUTTER, INC. • sales@lexingtoncutter.com • Phone 800-882-2627 • Fax 800-882-3637

CARBIDE TIPPED CHUCKING REAMERS METRIC



TYPE 3402 - TAPER SHANK - STRAIGHT FLUTES

Detailed description and fractional sizes on page 70.
Tolerances on page 60. Tool diameter in millimeters with all other dimensions in inches.

TOOL DIAMETER		MORSE TAPER	NO. OF FLTS.	LENGTH			EDP NO.	PRICE EACH	METRIC SIZE RANGE	PRICE EACH - FINISHED TO METRIC SIZE						
mm	INCH			FLT	CARB	OAL				1 PC.	2 PC.	3 PC.	4 PC.	5-7	8-14	15+
6.0	.2362	1	4	1 1/2	1/2	6	3402060	\$68.95	6.000 - 6.426	\$102.10	\$80.05	\$72.80	\$69.10	\$65.45	\$62.35	\$58.10
6.5	.2559	1	4	1 1/2	1/2	6	3402065	69.95	6.427 - 7.214	103.05	81.10	73.75	70.10	66.40	63.35	59.15
7.0	.2756	1	4	1 1/2	1/2	6	3402070	69.95	-	-	-	-	-	-	-	-
7.5	.2953	1	4	1 1/2	1/2	6	3402075	69.95	7.215 - 8.001	103.05	81.10	73.75	70.10	66.40	63.35	59.15
8.0	.3150	1	4	1 1/2	1/2	6	3402080	69.95	-	-	-	-	-	-	-	-
8.5	.3346	1	4	1 1/2	5/8	6	3402085	71.95	8.002 - 8.814	105.05	83.10	75.85	72.10	68.50	65.45	61.15
9.0	.3543	1	4	1 3/4	5/8	7	3402090	66.05	8.815 - 9.601	96.45	76.30	69.60	66.20	62.85	60.10	56.15
9.5	.3740	1	4	1 3/4	5/8	7	3402095	66.05	-	-	-	-	-	-	-	-
10.0	.3937	1	4	1 3/4	5/8	7	3402100	74.80	9.602 - 10.389	107.90	85.90	78.60	74.95	71.30	68.25	64.05
10.5	.4134	1	4	1 3/4	5/8	7	3402105	78.65	10.390 - 11.201	111.80	89.85	82.45	78.85	75.15	72.05	67.90
11.0	.4331	1	4	1 3/4	5/8	7	3402110	78.65	-	-	-	-	-	-	-	-
11.5	.4528	1	4	1 3/4	5/8	7	3402115	80.35	11.202 - 11.989	113.45	91.65	84.15	80.65	76.85	73.85	69.65
12.0	.4724	1	6	2	5/8	8	3402120	93.55	11.990 - 12.776	129.90	105.90	97.70	93.70	89.70	86.30	81.60
12.5	.4921	1	6	2	5/8	8	3402125	93.55	-	-	-	-	-	-	-	-
13.0	.5118	1	6	2	5/8	8	3402130	99.65	12.777 - 13.564	136.15	111.95	103.90	99.95	95.85	92.45	87.80
13.5	.5315	1	6	2	5/8	8	3402135	99.65	-	-	-	-	-	-	-	-
14.0	.5512	1	6	2	5/8	8	3402140	99.65	13.565 - 14.376	136.15	111.95	103.90	99.95	95.85	92.45	87.80
14.5	.5709	1	6	2	5/8	8	3402145	103.75	14.377 - 15.164	140.25	115.95	107.90	104.05	99.95	96.55	91.85
15.0	.5906	1	6	2	5/8	8	3402150	103.75	-	-	-	-	-	-	-	-
15.5	.6102	2	6	2 1/4	5/8	9	3402155	103.75	15.165 - 15.951	140.25	115.95	107.90	104.05	99.95	96.55	91.85
16.0	.6299	2	6	2 1/4	5/8	9	3402160	105.45	15.952 - 16.739	141.80	117.55	109.50	105.60	101.50	98.10	93.50
16.5	.6496	2	6	2 1/4	5/8	9	3402165	105.45	-	-	-	-	-	-	-	-
17.0	.6693	2	6	2 1/4	5/8	9	3402170	105.45	16.740 - 17.551	141.80	117.55	109.50	105.60	101.50	98.10	93.50
17.5	.6890	2	6	2 1/4	5/8	9	3402175	105.45	-	-	-	-	-	-	-	-
18.0	.7087	2	6	2 1/4	5/8	9	3402180	109.35	17.552 - 18.339	145.90	121.70	113.60	109.60	105.60	102.15	97.55
18.5	.7283	2	6	2 1/2	3/4	9 1/2	3402185	109.35	18.340 - 19.126	145.90	121.70	113.60	109.60	105.60	102.15	97.55
19.0	.7480	2	6	2 1/2	3/4	9 1/2	3402190	109.35	-	-	-	-	-	-	-	-
19.5	.7677	2	6	2 1/2	3/4	9 1/2	3402195	112.35	19.127 - 19.914	148.70	124.50	116.50	112.50	108.50	105.00	100.40
20.0	.7874	2	6	2 1/2	3/4	9 1/2	3402200	112.35	19.915 - 20.726	148.70	124.50	116.50	112.50	108.50	105.00	100.40
20.5	.8071	2	6	2 1/2	3/4	9 1/2	3402205	112.35	-	-	-	-	-	-	-	-
21.0	.8268	2	6	2 1/2	3/4	9 1/2	3402210	116.50	20.727 - 21.514	152.95	128.80	120.60	116.65	112.55	109.15	104.55
21.5	.8465	2	6	2 1/2	3/4	9 1/2	3402215	116.50	-	-	-	-	-	-	-	-
22.0	.8661	2	6	2 5/8	3/4	10	3402220	116.50	21.515 - 22.301	152.95	128.80	120.60	116.65	112.55	109.15	104.55
22.5	.8858	2	6	2 5/8	3/4	10	3402225	138.85	22.302 - 23.089	176.65	151.60	143.15	139.00	134.75	131.25	126.50
23.0	.9055	2	6	2 5/8	3/4	10	3402230	138.85	-	-	-	-	-	-	-	-
23.5	.9252	3	8	2 5/8	3/4	10	3402235	138.85	23.090 - 23.901	176.65	151.60	143.15	139.00	134.75	131.25	126.50
24.0	.9449	3	8	2 5/8	3/4	10	3402240	143.95	23.902 - 24.689	181.85	156.80	148.25	144.10	139.95	136.45	131.65
24.5	.9646	3	8	2 5/8	3/4	10	3402245	143.95	-	-	-	-	-	-	-	-
25.0	.9843	3	8	2 3/4	3/4	10 1/2	3402250	143.95	24.690 - 25.476	181.85	156.80	148.25	144.10	139.95	136.45	131.65
25.5	1.0039	3	8	2 3/4	3/4	10 1/2	3402255	191.00	25.477 - 27.076	227.20	203.10	195.05	191.15	187.05	183.70	179.10
26.0	1.0236	3	8	2 3/4	3/4	10 1/2	3402260	191.00	-	-	-	-	-	-	-	-
27.0	1.0630	3	8	2 3/4	3/4	10 1/2	3402270	191.00	-	-	-	-	-	-	-	-
28.0	1.1024	3	8	2 7/8	7/8	11	3402280	202.25	27.077 - 28.651	238.50	214.45	206.35	202.40	198.35	195.05	190.40
29.0	1.1417	3	8	2 7/8	7/8	11	3402290	213.30	28.652 - 30.239	249.55	225.50	217.50	213.45	209.40	206.15	201.45
30.0	1.1811	3	8	2 7/8	7/8	11	3402300	213.30	-	-	-	-	-	-	-	-
31.0	1.2205	4	8	3	7/8	11 1/2	3402310	235.30	30.240 - 31.826	271.50	247.55	239.35	235.45	231.35	228.00	223.40
32.0	1.2598	4	8	3	7/8	11 1/2	3402320	252.45	31.827 - 33.414	288.65	264.65	256.50	252.60	248.55	245.15	240.55
33.0	1.2992	4	8	3	7/8	11 1/2	3402330	252.45	-	-	-	-	-	-	-	-
34.0	1.3386	4	8	3 1/4	7/8	12	3402340	262.00	33.415 - 35.001	298.20	274.15	266.15	262.15	258.15	254.80	250.20
35.0	1.3780	4	8	3 1/4	7/8	12	3402350	262.00	-	-	-	-	-	-	-	-
36.0	1.4173	4	8	3 1/4	7/8	12	3402360	267.05	35.002 - 36.589	303.40	279.30	271.30	267.35	263.25	259.90	255.25
37.0	1.4567	4	8	3 1/2	7/8	12 1/2	3402370	279.60	36.590 - 38.176	315.95	291.85	283.75	279.90	275.80	272.45	267.85
38.0	1.4961	4	8	3 1/2	7/8	12 1/2	3402380	279.60	-	-	-	-	-	-	-	-
39.0	1.5354	4	8	3 1/2	7/8	12 1/2	3402390	300.50	38.177 - 39.776	336.80	312.75	304.65	300.75	296.65	293.25	288.65
40.0	1.5748	4	8	3 3/4	7/8	13	3402400	310.30	39.777 - 41.351	346.65	322.55	314.55	310.55	306.50	303.20	298.50
41.0	1.6142	4	8	3 3/4	7/8	13	3402410	310.30	-	-	-	-	-	-	-	-

Phone 941-739-2726 • Fax 941-739-2827 • www.lexingtoncutter.com • LEXINGTON CUTTER, INC.

Diameters up to 50mm - call us for price & availability.

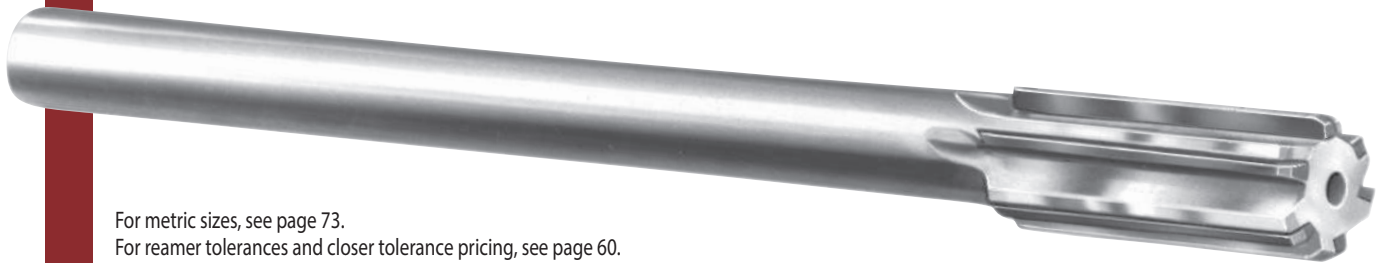
Made in U.S.A.

CARBIDE TIPPED CHUCKING REAMERS

TYPE 3450 - STRAIGHT SHANK - STRAIGHT FLUTE LONG CARBIDE

Flute long carbide tips brazed to one piece hardened alloy steel bodies.
Straight polished flutes.

Designed and manufactured for maximum tool life. Used for all general types of reaming including low carbon steels, cast iron, non-ferrous metals and non-metals. Designed with flute long carbide for deep hole reaming. Smaller sizes available in solid carbide. See pages 50 through 56.



For metric sizes, see page 73.

For reamer tolerances and closer tolerance pricing, see page 60.

TOOL DIAMETER		SHANK DIAM.	NO. OF FLUTES	LENGTH		EDP NO.	PRICE EACH	DECIMAL SIZE RANGE	PRICE EACH - FINISHED TO DECIMAL SIZE					
DECIMAL	FRAC.			FLUTE	OVERALL				1 PC.	2 PC.	3 PC.	4 PC.	5-7	8-14*
.1875	3/16	1 1/64	4	1 1/2	6	345006	\$56.40	.1770 - .2040	\$101.65	\$78.95	\$71.55	\$67.80	\$63.90	\$60.85
.2188	7/32	13/64	4	1 1/2	6	345007	56.40	.2041 - .2210	101.65	78.95	71.55	67.80	63.90	60.85
.2344	15/64	7/32	4	1 1/2	6	34502344	56.40	.2211 - .2380	101.65	78.95	71.55	67.80	63.90	60.85
.2500	1/4	15/64	4	1 1/2	6	345008	56.40	.2381 - .2530	101.65	78.95	71.55	67.80	63.90	60.85
.2812	9/32	15/64	4	1 1/2	6	345009	57.65	.2531 - .2840	102.85	80.15	72.65	69.00	65.05	62.10
.3125	5/16	9/32	4	1 1/2	6	345010	57.65	.2841 - .3150	102.85	80.15	72.65	69.00	65.05	62.10
.3438	11/32	9/32	4	1 1/2	6	345011	59.75	.3151 - .3470	104.90	82.35	74.70	71.15	67.25	64.20
.3750	3/8	5/16	4	1 3/4	7	345012	59.75	.3471 - .3780	104.90	82.35	74.70	71.15	67.25	64.20
.4062	13/32	5/16	4	1 3/4	7	345013	62.70	.3781 - .4090	107.90	85.35	77.70	74.15	70.20	67.15
.4375	7/16	3/8	4	1 3/4	7	345014	67.80	.4091 - .4410	113.10	90.40	82.75	79.25	75.30	72.25
.4688	15/32	3/8	4	1 3/4	7	345015	73.25	.4411 - .4720	118.50	95.85	88.20	84.60	80.80	77.70
.5000	1/2	7/16	6	2	8	345016	78.45	.4721 - .5030	126.90	102.70	94.60	90.65	86.60	83.20
.5312	17/32	7/16	6	2	8	345017	80.75	.5031 - .5340	129.20	104.85	96.75	92.80	88.65	85.40
.5625	9/16	7/16	6	2	8	345018	80.75	.5341 - .5660	129.20	104.85	96.75	92.80	88.65	85.40
.5938	19/32	7/16	6	2	8	345019	83.85	.5661 - .5970	132.30	107.95	99.95	96.10	91.85	88.60
.6250	5/8	9/16	6	2	9	345020	83.85	.5971 - .6280	132.30	107.95	99.95	96.10	91.85	88.60
.6562	21/32	9/16	6	2	9	345021	85.35	.6281 - .6590	133.80	109.50	101.45	97.55	93.35	90.10
.6875	11/16	9/16	6	2	9	345022	85.35	.6591 - .6910	133.80	109.50	101.45	97.55	93.35	90.10
.7188	23/32	9/16	6	2	9	345023	89.25	.6911 - .7220	137.70	113.45	105.45	101.50	97.30	94.00
.7500	3/4	5/8	6	2	9 1/2	345024	89.25	.7221 - .7530	137.70	113.45	105.45	101.50	97.30	94.00
.7812	25/32	5/8	6	2	9 1/2	345025	92.30	.7531 - .7840	140.75	116.55	108.50	104.55	100.40	97.15
.8125	13/16	5/8	6	2	9 1/2	345026	92.30	.7841 - .8160	140.75	116.55	108.50	104.55	100.40	97.15
.8438	27/32	5/8	6	2	9 1/2	345027	96.10	.8161 - .8470	144.55	120.20	112.05	108.20	104.10	100.75
.8750	7/8	3/4	6	2 1/4	10	345028	99.65	.8471 - .8780	149.95	124.80	116.35	112.25	107.95	104.55
.9062	29/32	3/4	6	2 1/4	10	345029	115.95	.8781 - .9090	166.30	141.15	132.65	128.65	124.35	120.95
.9375	15/16	3/4	8	2 1/4	10	345030	115.95	.9091 - .9410	166.30	141.15	132.65	128.65	124.35	120.95
.9688	31/32	3/4	8	2 1/4	10	345031	121.55	.9411 - .9720	171.85	146.60	138.25	134.25	129.90	126.50
1.0000	1	7/8	8	2 1/4	10 1/2	345032	121.55	.9721 - 1.0030	171.85	146.60	138.25	134.25	129.90	126.50
1.0625	1 1/16	7/8	8	2 1/4	10 1/2	345034	125.75	1.0031 - 1.0660	174.00	149.80	141.70	137.85	133.80	130.50
1.1250	1 1/8	7/8	8	2 1/4	11	345036	136.10	1.0661 - 1.1280	184.25	160.20	152.05	148.25	144.00	140.75
1.1875	1 3/16	1	8	2 1/4	11	345038	142.40	1.1281 - 1.1905	190.55	166.45	158.40	154.50	150.35	147.15
1.2500	1 1/4	1	8	2 1/2	11 1/2	345040	166.30	1.1906 - 1.2530	214.45	190.30	182.25	178.40	174.20	170.95
1.3125	1 5/16	1	8	2 1/2	11 1/2	345042	166.30	1.2531 - 1.3155	214.45	190.30	182.25	178.40	174.20	170.95
1.3750	1 3/8	1	8	2 1/2	12	345044	168.75	1.3156 - 1.3780	216.90	192.75	184.60	180.85	176.65	173.40
1.4375	1 7/16	1 1/4	8	2 1/2	12	345046	186.40	1.3781 - 1.4405	234.60	210.35	202.35	198.50	194.40	191.15
1.5000	1 1/2	1 1/4	8	2 1/2	12 1/2	345048	223.70	1.4406 - 1.5030	271.85	247.75	239.75	235.80	231.75	228.55
1.5625	1 9/16	1 1/4	8	2 1/2	12 1/2	345050	295.30	1.5031 - 1.5660	343.45	319.35	311.25	307.40	303.35	300.05
1.6250	1 5/8	1 1/4	8	2 3/4	13	345052	305.40	1.5661 - 1.6280	353.65	329.35	321.35	317.60	313.40	310.15
1.6875	1 11/16	1 1/4	8	2 3/4	13	345054	335.30	1.6281 - 1.6910	383.60	359.40	351.40	347.50	343.40	340.15
1.7500	1 3/4	1 1/4	10	3	13 1/2	345056	335.30	1.6911 - 1.7530	383.60	359.40	351.40	347.50	343.40	340.15
1.8125	1 13/16	1 1/2	10	3	13 1/2	345058	343.10	1.7531 - 1.8160	391.40	367.30	359.15	355.35	351.10	347.90
1.8750	1 7/8	1 1/2	10	3 1/4	14	345060	359.85	1.8161 - 1.8780	408.05	383.85	375.80	371.95	367.80	364.55
1.9375	1 15/16	1 1/2	10	3 1/4	14	345062	381.55	1.8781 - 1.9410	429.70	405.50	397.50	393.65	389.55	386.30
2.0000	2	1 1/2	12	3 1/4	14	345064	381.55	1.9411 - 2.0030	429.70	405.50	397.50	393.65	389.55	386.30

LEXINGTON CUTTER, INC. • sales@lexingtoncutter.com • Phone 800-882-2627 • Fax 800-882-3637

CARBIDE TIPPED CHUCKING REAMERS METRIC

TYPE 3450 - STRAIGHT SHANK - STRAIGHT FLUTE LONG CARBIDE

Detailed description and fractional sizes on page 72. Tolerances on page 60.
Tool diameter in millimeters with all other dimensions in inches.



TOOL DIAMETER		SHANK DIAM.	NO. OF FLTS.	LENGTH		EDP NO.	PRICE EACH	METRIC SIZE RANGE	PRICE EACH - FINISHED TO METRIC SIZE						
mm	INCH			FLUTE	OVERALL				1 PC.	2 PC.	3 PC.	4 PC.	5-7	8-14	15+
4.5	.1772	1/64	4	1 1/2	6	3450045	\$71.55	4.494 - 5.182	\$105.50	\$82.90	\$75.30	\$71.60	\$67.80	\$64.70	\$60.30
5.0	.1969	1/64	4	1 1/2	6	3450050	71.55	-	-	-	-	-	-	-	-
5.5	.2165	1/64	4	1 1/2	6	3450055	71.55	5.183 - 5.613	105.50	82.90	75.30	71.60	67.80	64.70	60.30
6.0	.2362	7/32	4	1 1/2	6	3450060	71.55	5.614 - 6.045	105.50	82.90	75.30	71.60	67.80	64.70	60.30
6.3	.2480	1/64	4	1 1/2	6	3450063	71.55	6.046 - 6.426	105.50	82.90	75.30	71.60	67.80	64.70	60.30
6.5	.2559	1/64	4	1 1/2	6	3450065	72.65	6.427 - 7.214	106.55	84.05	76.50	72.80	69.00	65.80	61.60
7.0	.2756	1/64	4	1 1/2	6	3450070	72.65	-	-	-	-	-	-	-	-
7.5	.2953	9/32	4	1 1/2	6	3450075	72.65	7.215 - 8.001	106.55	84.05	76.50	72.80	69.00	65.80	61.60
8.0	.3150	9/32	4	1 1/2	6	3450080	72.65	-	-	-	-	-	-	-	-
8.5	.3346	9/32	4	1 1/2	6	3450085	74.70	8.002 - 8.814	108.80	86.20	78.60	74.85	71.15	67.95	63.65
9.0	.3543	5/16	4	1 3/4	7	3450090	74.70	8.815 - 9.601	108.80	86.20	78.60	74.85	71.15	67.95	63.65
9.5	.3740	5/16	4	1 3/4	7	3450095	74.70	-	-	-	-	-	-	-	-
10.0	.3937	5/16	4	1 3/4	7	3450100	77.70	9.602 - 10.389	111.75	89.20	81.55	77.90	74.15	71.00	66.55
10.5	.4134	3/8	4	1 3/4	7	3450105	82.75	10.390 - 11.201	116.85	94.15	86.65	82.95	79.25	76.05	71.70
11.0	.4331	3/8	4	1 3/4	7	3450110	82.75	-	-	-	-	-	-	-	-
11.5	.4528	3/8	4	1 3/4	7	3450115	88.20	11.202 - 11.989	122.30	99.65	92.15	88.45	84.60	81.45	77.15
12.0	.4724	7/16	6	2	8	3450120	94.60	11.990 - 12.776	130.95	106.90	98.70	94.75	90.65	87.25	82.65
12.5	.4921	7/16	6	2	8	3450125	94.60	-	-	-	-	-	-	-	-
13.0	.5118	7/16	6	2	8	3450130	96.75	12.777 - 13.564	133.25	109.00	100.90	96.90	92.80	89.50	84.80
13.5	.5315	7/16	6	2	8	3450135	96.75	-	-	-	-	-	-	-	-
14.0	.5512	7/16	6	2	8	3450140	96.75	13.565 - 14.376	133.25	109.00	100.90	96.90	92.80	89.50	84.80
14.5	.5709	7/16	6	2	8	3450145	99.95	14.377 - 15.164	136.40	112.10	104.10	100.10	96.10	92.60	88.00
15.0	.5906	7/16	6	2	8	3450150	99.95	-	-	-	-	-	-	-	-
15.5	.6102	9/16	6	2	9	3450155	99.95	15.165 - 15.951	136.40	112.10	104.10	100.10	96.10	92.60	88.00
16.0	.6299	9/16	6	2	9	3450160	101.45	15.952 - 16.739	137.80	113.65	105.60	101.60	97.55	94.10	89.50
16.5	.6496	9/16	6	2	9	3450165	101.45	-	-	-	-	-	-	-	-
17.0	.6693	9/16	6	2	9	3450170	101.45	16.740 - 17.551	137.80	113.65	105.60	101.60	97.55	94.10	89.50
17.5	.6890	9/16	6	2	9	3450175	101.45	-	-	-	-	-	-	-	-
18.0	.7087	9/16	6	2	9	3450180	105.45	17.552 - 18.339	141.80	117.55	109.50	105.60	101.50	98.10	93.50
18.5	.7283	5/8	6	2	9 1/2	3450185	105.45	18.340 - 19.126	141.80	117.55	109.50	105.60	101.50	98.10	93.50
19.0	.7480	5/8	6	2	9 1/2	3450190	105.45	-	-	-	-	-	-	-	-
19.5	.7677	5/8	6	2	9 1/2	3450195	108.50	19.127 - 19.914	144.85	120.80	112.55	108.65	104.55	101.15	96.55
20.0	.7874	5/8	6	2	9 1/2	3450200	108.50	19.915 - 20.726	144.85	120.80	112.55	108.65	104.55	101.15	96.55
20.5	.8071	5/8	6	2	9 1/2	3450205	108.50	-	-	-	-	-	-	-	-
21.0	.8268	5/8	6	2	9 1/2	3450210	112.05	20.727 - 21.514	148.55	124.35	116.25	112.35	108.20	104.85	100.15
21.5	.8465	5/8	6	2	9 1/2	3450215	112.05	-	-	-	-	-	-	-	-
22.0	.8661	3/4	6	2 1/4	10	3450220	112.05	21.515 - 22.301	148.55	124.35	116.25	112.35	108.20	104.85	100.15
22.5	.8858	3/4	6	2 1/4	10	3450225	132.65	22.302 - 23.089	170.50	145.45	136.95	132.80	128.65	125.10	120.30
23.0	.9055	3/4	6	2 1/4	10	3450230	132.65	-	-	-	-	-	-	-	-
23.5	.9252	3/4	8	2 1/4	10	3450235	132.65	23.090 - 23.901	170.50	145.45	136.95	132.80	128.65	125.10	120.30
24.0	.9449	3/4	8	2 1/4	10	3450240	138.25	23.902 - 24.689	176.00	151.00	142.45	138.40	134.25	130.75	125.90
24.5	.9646	3/4	8	2 1/4	10	3450245	138.25	-	-	-	-	-	-	-	-
25.0	.9843	7/8	8	2 1/4	10 1/2	3450250	138.25	24.690 - 25.476	176.00	151.00	142.45	138.40	134.25	130.75	125.90
25.5	1.0039	7/8	8	2 1/4	10 1/2	3450255	141.70	25.477 - 27.076	178.00	153.95	145.90	141.95	137.85	134.50	129.90
26.0	1.0236	7/8	8	2 1/4	10 1/2	3450260	141.70	-	-	-	-	-	-	-	-
27.0	1.0630	7/8	8	2 1/4	10 1/2	3450270	141.70	-	-	-	-	-	-	-	-
28.0	1.1024	7/8	8	2 1/4	11	3450280	152.05	27.077 - 28.651	188.40	164.30	156.20	152.35	148.25	144.85	140.25
29.0	1.1417	1	8	2 1/4	11	3450290	158.40	28.652 - 30.239	194.65	170.65	162.50	158.55	154.50	151.15	146.55
30.0	1.1811	1	8	2 1/4	11	3450300	158.40	-	-	-	-	-	-	-	-
31.0	1.2205	1	8	2 1/2	11 1/2	3450310	182.25	30.240 - 31.826	218.50	194.50	186.40	182.45	178.40	174.95	170.35
32.0	1.2598	1	8	2 1/2	11 1/2	3450320	182.25	31.827 - 33.414	218.50	194.50	186.40	182.45	178.40	174.95	170.35
33.0	1.2992	1	8	2 1/2	11 1/2	3450330	182.25	-	-	-	-	-	-	-	-
34.0	1.3386	1	8	2 1/2	12	3450340	184.60	33.415 - 35.001	220.95	196.95	188.75	184.90	180.85	177.50	172.90
35.0	1.3780	1	8	2 1/2	12	3450350	184.60	-	-	-	-	-	-	-	-
36.0	1.4173	1 1/4	8	2 1/2	12	3450360	202.35	35.002 - 36.589	238.55	214.60	206.40	202.50	198.50	195.15	190.45
37.0	1.4567	1 1/4	8	2 1/2	12 1/2	3450370	239.75	36.590 - 38.176	275.95	251.90	243.80	239.90	235.80	232.45	227.85
38.0	1.4961	1 1/4	8	2 1/2	12 1/2	3450380	239.75	-	-	-	-	-	-	-	-

Phone 941-739-2726 • Fax 941-739-2827 • www.lexingtoncutter.com • LEXINGTON CUTTER, INC.

Diameters up to 50mm - call us for price & availability.

Made in U.S.A.

CARBIDE TIPPED DECIMAL SIZE CHUCKING REAMERS

**TYPE 3450 - STRAIGHT SHANK - STRAIGHT FLUTE LONG CARBIDE
STANDARD DECIMAL DIAMETER REAMERS (.0005" INCREMENTS)
THIS PAGE .1770" THRU .3265"**

For fractional, wire, letter sizes and dimensions, see pages 72.

DECIMAL SIZE	EDP NO.	PRICE EACH	DECIMAL SIZE	EDP NO.	PRICE EACH	DECIMAL SIZE	EDP NO.	PRICE EACH	DECIMAL SIZE	EDP NO.	PRICE EACH	DECIMAL SIZE	EDP NO.	PRICE EACH
.1770	34501770	\$71.55	.2070	34502070	\$71.55	.2370	34502370	\$71.55	.2670	34502670	\$72.65	.2970	34502970	\$72.65
.1775	34501775	71.55	.2075	34502075	71.55	.2375	34502375	71.55	.2675	34502675	72.65	.2975	34502975	72.65
.1780	34501780	71.55	.2080	34502080	71.55	.2380	34502380	71.55	.2680	34502680	72.65	.2980	34502980	72.65
.1785	34501785	71.55	.2085	34502085	71.55	.2385	34502385	71.55	.2685	34502685	72.65	.2985	34502985	72.65
.1790	34501790	71.55	.2090	34502090	71.55	.2390	34502390	71.55	.2690	34502690	72.65	.2990	34502990	72.65
.1795	34501795	71.55	.2095	34502095	71.55	.2395	34502395	71.55	.2695	34502695	72.65	.2995	34502995	72.65
.1800	34501800	71.55	.2100	34502100	71.55	.2400	34502400	71.55	.2700	34502700	72.65	.3000	34503000	72.65
.1805	34501805	71.55	.2105	34502105	71.55	.2405	34502405	71.55	.2705	34502705	72.65	.3005	34503005	72.65
.1810	34501810	71.55	.2110	34502110	71.55	.2410	34502410	71.55	.2710	34502710	72.65	.3010	34503010	72.65
.1815	34501815	71.55	.2115	34502115	71.55	.2415	34502415	71.55	.2715	34502715	72.65	.3015	34503015	72.65
.1820	34501820	71.55	.2120	34502120	71.55	.2420	34502420	71.55	.2720	34502720	72.65	.3020	34503020	72.65
.1825	34501825	71.55	.2125	34502125	71.55	.2425	34502425	71.55	.2725	34502725	72.65	.3025	34503025	72.65
.1830	34501830	71.55	.2130	34502130	71.55	.2430	34502430	71.55	.2730	34502730	72.65	.3030	34503030	72.65
.1835	34501835	71.55	.2135	34502135	71.55	.2435	34502435	71.55	.2735	34502735	72.65	.3035	34503035	72.65
.1840	34501840	71.55	.2140	34502140	71.55	.2440	34502440	71.55	.2740	34502740	72.65	.3040	34503040	72.65
.1845	34501845	71.55	.2145	34502145	71.55	.2445	34502445	71.55	.2745	34502745	72.65	.3045	34503045	72.65
.1850	3450047	71.55	.2150	34502150	71.55	.2450	34502450	71.55	.2750	34502750	72.65	.3050	34503050	72.65
.1855	34501855	71.55	.2155	34502155	71.55	.2455	34502455	71.55	.2755	34502755	72.65	.3055	34503055	72.65
.1860	34501860	71.55	.2160	34502160	71.55	.2460	34502460	71.55	.2760	34502760	72.65	.3060	34503060	72.65
.1865	34501865	71.55	.2165	3450055	71.55	.2465	34502465	71.55	.2765	34502765	72.65	.3065	34503065	72.65
.1870	34501870	71.55	.2170	34502170	71.55	.2470	34502470	71.55	.2770	34502770	72.65	.3070	34503070	72.65
.1875	345006	56.40	.2175	34502175	71.55	.2475	34502475	71.55	.2775	34502775	72.65	.3075	34503075	72.65
.1880	34501880	71.55	.2180	34502180	71.55	.2480	3450063	71.55	.2780	34502780	72.65	.3080	34503080	72.65
.1885	34501885	71.55	.2185	34502185	71.55	.2485	34502485	71.55	.2785	34502785	72.65	.3085	34503085	72.65
.1890	3450048	71.55	.2190	34502190	71.55	.2490	34502490	71.55	.2790	34502790	72.65	.3090	34503090	72.65
.1895	34501895	71.55	.2195	34502195	71.55	.2495	34502495	71.55	.2795	3450071	72.65	.3095	34503095	72.65
.1900	34501900	71.55	.2200	34502200	71.55	.2500	345008	56.40	.2800	34502800	72.65	.3100	34503100	72.65
.1905	34501905	71.55	.2205	3450056	71.55	.2505	34502505	71.55	.2805	34502805	72.65	.3105	34503105	72.65
.1910	34501910	71.55	.2210	34502210	71.55	.2510	34502510	71.55	.2810	34502810	72.65	.3110	3450079	72.65
.1915	34501915	71.55	.2215	34502215	71.55	.2515	34502515	71.55	.2815	34502815	72.65	.3115	34503115	72.65
.1920	34501920	71.55	.2220	34502220	71.55	.2520	3450064	71.55	.2820	34502820	72.65	.3120	34503120	72.65
.1925	34501925	71.55	.2225	34502225	71.55	.2525	34502525	71.55	.2825	34502825	72.65	.3125	345010	57.65
.1930	34501930	71.55	.2230	34502230	71.55	.2530	34502530	71.55	.2830	34502830	72.65	.3130	34503130	72.65
.1935	34501935	71.55	.2235	34502235	71.55	.2535	34502535	72.65	.2835	3450072	72.65	.3135	34503135	72.65
.1940	34501940	71.55	.2240	34502240	71.55	.2540	34502540	72.65	.2840	34502840	72.65	.3140	34503140	72.65
.1945	34501945	71.55	.2245	34502245	71.55	.2545	34502545	72.65	.2845	34502845	72.65	.3145	34503145	72.65
.1950	34501950	71.55	.2250	34502250	71.55	.2550	34502550	72.65	.2850	34502850	72.65	.3150	3450080	72.65
.1955	34501955	71.55	.2255	34502255	71.55	.2555	34502555	72.65	.2855	34502855	72.65	.3155	34503155	74.70
.1960	34501960	71.55	.2260	34502260	71.55	.2560	34502560	72.65	.2860	34502860	72.65	.3160	34503160	74.70
.1965	34501965	71.55	.2265	34502265	71.55	.2565	34502565	72.65	.2865	34502865	72.65	.3165	34503165	74.70
.1970	34501970	71.55	.2270	34502270	71.55	.2570	34502570	72.65	.2870	34502870	72.65	.3170	34503170	74.70
.1975	34501975	71.55	.2275	34502275	71.55	.2575	34502575	72.65	.2875	34502875	72.65	.3175	34503175	74.70
.1980	34501980	71.55	.2280	34502280	71.55	.2580	34502580	72.65	.2880	34502880	72.65	.3180	34503180	74.70
.1985	34501985	71.55	.2285	34502285	71.55	.2585	34502585	72.65	.2885	34502885	72.65	.3185	34503185	74.70
.1990	34501990	71.55	.2290	34502290	71.55	.2590	34502590	72.65	.2890	34502890	72.65	.3190	34503190	74.70
.1995	34501995	71.55	.2295	34502295	71.55	.2595	34502595	72.65	.2895	34502895	72.65	.3195	34503195	74.70
.2000	34502000	71.55	.2300	34502300	71.55	.2600	34502600	72.65	.2900	34502900	72.65	.3200	34503200	74.70
.2005	34502005	71.55	.2305	34502305	71.55	.2605	34502605	72.65	.2905	34502905	72.65	.3205	34503205	74.70
.2010	34502010	71.55	.2310	34502310	71.55	.2610	34502610	72.65	.2910	34502910	72.65	.3210	34503210	74.70
.2015	34502015	71.55	.2315	34502315	71.55	.2615	34502615	72.65	.2915	34502915	72.65	.3215	34503215	74.70
.2020	34502020	71.55	.2320	34502320	71.55	.2620	34502620	72.65	.2920	34502920	72.65	.3220	34503220	74.70
.2025	34502025	71.55	.2325	34502325	71.55	.2625	34502625	72.65	.2925	34502925	72.65	.3225	34503225	74.70
.2030	34502030	71.55	.2330	34502330	71.55	.2630	34502630	72.65	.2930	34502930	72.65	.3230	34503230	74.70
.2035	34502035	71.55	.2335	34502335	71.55	.2635	34502635	72.65	.2935	34502935	72.65	.3235	34503235	74.70
.2040	34502040	71.55	.2340	34502340	71.55	.2640	34502640	72.65	.2940	34502940	72.65	.3240	34503240	74.70
.2045	34502045	71.55	.2345	34502345	71.55	.2645	34502645	72.65	.2945	34502945	72.65	.3245	34503245	74.70
.2050	34502050	71.55	.2350	34502350	71.55	.2650	34502650	72.65	.2950	34502950	72.65	.3250	34503250	74.70
.2055	34502055	71.55	.2355	34502355	71.55	.2655	34502655	72.65	.2955	34502955	72.65	.3255	34503255	74.70
.2060	34502060	71.55	.2360	34502360	71.55	.2660	34502660	72.65	.2960	34502960	72.65	.3260	34503260	74.70
.2065	34502065	71.55	.2365	34502365	71.55	.2665	34502665	72.65	.2965	34502965	72.65	.3265	34503265	74.70

CARBIDE TIPPED DECIMAL SIZE CHUCKING REAMERS

**TYPE 3450 - STRAIGHT SHANK - STRAIGHT FLUTE LONG CARBIDE
STANDARD DECIMAL DIAMETER REAMERS (.0005" INCREMENTS)
THIS PAGE .3270" THRU .4765"**

For fractional, wire, letter sizes and dimensions, see pages 72.

DECIMAL SIZE	EDP NO.	PRICE EACH	DECIMAL SIZE	EDP NO.	PRICE EACH	DECIMAL SIZE	EDP NO.	PRICE EACH	DECIMAL SIZE	EDP NO.	PRICE EACH	DECIMAL SIZE	EDP NO.	PRICE EACH
.3270	34503270	\$74.70	.3570	34503570	\$74.70	.3870	34503870	\$77.70	.4170	34504170	\$82.75	.4470	34504470	\$88.35
.3275	34503275	74.70	.3575	34503575	74.70	.3875	34503875	77.70	.4175	34504175	82.75	.4475	34504475	88.35
.3280	34503280	74.70	.3580	34503580	74.70	.3880	34503880	77.70	.4180	34504180	82.75	.4480	34504480	88.35
.3285	34503285	74.70	.3585	34503585	74.70	.3885	34503885	77.70	.4185	34504185	82.75	.4485	34504485	88.35
.3290	34503290	74.70	.3590	34503590	74.70	.3890	34503890	77.70	.4190	34504190	82.75	.4490	34504490	88.35
.3295	34503295	74.70	.3595	34503595	74.70	.3895	34503895	77.70	.4195	34504195	82.75	.4495	34504495	88.35
.3300	34503300	74.70	.3600	34503600	74.70	.3900	34503900	77.70	.4200	34504200	82.75	.4500	34504500	88.35
.3305	34503305	74.70	.3605	34503605	74.70	.3905	34503905	77.70	.4205	34504205	82.75	.4505	34504505	88.35
.3310	34503310	74.70	.3610	34503610	74.70	.3910	34503910	77.70	.4210	34504210	82.75	.4510	34504510	88.35
.3315	34503315	74.70	.3615	34503615	74.70	.3915	34503915	77.70	.4215	34504215	82.75	.4515	34504515	88.35
.3320	34503320	74.70	.3620	34503620	74.70	.3920	34503920	77.70	.4220	34504220	82.75	.4520	34504520	88.35
.3325	34503325	74.70	.3625	34503625	74.70	.3925	34503925	77.70	.4225	34504225	82.75	.4525	34504525	88.35
.3330	34503330	74.70	.3630	34503630	74.70	.3930	34503930	77.70	.4230	34504230	82.75	.4530	34504530	88.35
.3335	34503335	74.70	.3635	34503635	74.70	.3935	34503935	77.70	.4235	34504235	82.75	.4535	34504535	88.35
.3340	34503340	74.70	.3640	34503640	74.70	.3940	34503940	77.70	.4240	34504240	82.75	.4540	34504540	88.35
.3345	34503345	74.70	.3645	34503645	74.70	.3945	34503945	77.70	.4245	34504245	82.75	.4545	34504545	88.35
.3350	34503350	74.70	.3650	34503650	74.70	.3950	34503950	77.70	.4250	34504250	82.75	.4550	34504550	88.35
.3355	34503355	74.70	.3655	34503655	74.70	.3955	34503955	77.70	.4255	34504255	82.75	.4555	34504555	88.35
.3360	34503360	74.70	.3660	34503660	74.70	.3960	34503960	77.70	.4260	34504260	82.75	.4560	34504560	88.35
.3365	34503365	74.70	.3665	34503665	74.70	.3965	34503965	77.70	.4265	34504265	82.75	.4565	34504565	88.35
.3370	34503370	74.70	.3670	34503670	74.70	.3970	34503970	77.70	.4270	34504270	82.75	.4570	34504570	88.35
.3375	34503375	74.70	.3675	34503675	74.70	.3975	34503975	77.70	.4275	34504275	82.75	.4575	34504575	88.35
.3380	34503380	74.70	.3680	34503680	74.70	.3980	34503980	77.70	.4280	34504280	82.75	.4580	34504580	88.35
.3385	34503385	74.70	.3685	34503685	74.70	.3985	34503985	77.70	.4285	34504285	82.75	.4585	34504585	88.35
.3390	34503390	74.70	.3690	34503690	74.70	.3990	34503990	77.70	.4290	34504290	82.75	.4590	34504590	88.35
.3395	34503395	74.70	.3695	34503695	74.70	.3995	34503995	77.70	.4295	34504295	82.75	.4595	34504595	88.35
.3400	34503400	74.70	.3700	34503700	74.70	.4000	34504000	77.70	.4300	34504300	82.75	.4600	34504600	88.35
.3405	34503405	74.70	.3705	34503705	74.70	.4005	34504005	77.70	.4305	34504305	82.75	.4605	34504605	88.35
.3410	34503410	74.70	.3710	34503710	74.70	.4010	34504010	77.70	.4310	34504310	82.75	.4610	34504610	88.35
.3415	34503415	74.70	.3715	34503715	74.70	.4015	34504015	77.70	.4315	34504315	82.75	.4615	34504615	88.35
.3420	34503420	74.70	.3720	34503720	74.70	.4020	34504020	77.70	.4320	34504320	82.75	.4620	34504620	88.35
.3425	3450087	74.70	.3725	34503725	74.70	.4025	34504025	77.70	.4325	34504325	82.75	.4625	34504625	88.35
.3430	34503430	74.70	.3730	34503730	74.70	.4030	34504030	77.70	.4330	34504330	82.75	.4630	34504630	88.35
.3435	34503435	74.70	.3735	34503735	74.70	.4035	34504035	77.70	.4335	34504335	82.75	.4635	34504635	88.35
.3440	34503440	74.70	.3740	3450095	74.70	.4040	34504040	77.70	.4340	34504340	82.75	.4640	34504640	88.35
.3445	34503445	74.70	.3745	34503745	74.70	.4045	34504045	77.70	.4345	34504345	82.75	.4645	34504645	88.35
.3450	34503450	74.70	.3750	345012	59.75	.4050	34504050	77.70	.4350	34504350	82.75	.4650	34504650	88.35
.3455	34503455	74.70	.3755	34503755	74.70	.4055	3450103	77.70	.4355	34504355	82.75	.4655	34504655	88.35
.3460	34503460	74.70	.3760	34503760	74.70	.4060	34504060	77.70	.4360	34504360	82.75	.4660	34504660	88.35
.3465	3450088	74.70	.3765	34503765	74.70	.4065	34504065	77.70	.4365	34504365	82.75	.4665	34504665	88.35
.3470	34503470	74.70	.3770	34503770	74.70	.4070	34504070	77.70	.4370	3450111	82.75	.4670	34504670	88.35
.3475	34503475	74.70	.3775	34503775	74.70	.4075	34504075	77.70	.4375	345014	67.80	.4675	34504675	88.35
.3480	34503480	74.70	.3780	3450096	74.70	.4080	34504080	77.70	.4380	34504380	82.75	.4680	34504680	88.35
.3485	34503485	74.70	.3785	34503785	77.70	.4085	34504085	77.70	.4385	34504385	82.75	.4685	3450119	88.35
.3490	34503490	74.70	.3790	34503790	77.70	.4090	34504090	77.70	.4390	34504390	82.75	.4690	34504690	88.35
.3495	34503495	74.70	.3795	34503795	77.70	.4095	34504095	82.75	.4395	34504395	82.75	.4695	34504695	88.35
.3500	34503500	74.70	.3800	34503800	77.70	.4100	34504100	82.75	.4400	34504400	82.75	.4700	34504700	88.35
.3505	34503505	74.70	.3805	34503805	77.70	.4105	34504105	82.75	.4405	34504405	82.75	.4705	34504705	88.35
.3510	34503510	74.70	.3810	34503810	77.70	.4110	34504110	82.75	.4410	34504410	82.75	.4710	34504710	88.35
.3515	34503515	74.70	.3815	34503815	77.70	.4115	34504115	82.75	.4415	34504415	88.35	.4715	34504715	88.35
.3520	34503520	74.70	.3820	34503820	77.70	.4120	34504120	82.75	.4420	34504420	88.35	.4720	34504720	88.35
.3525	34503525	74.70	.3825	34503825	77.70	.4125	34504125	82.75	.4425	34504425	88.35	.4725	34504725	94.70
.3530	34503530	74.70	.3830	34503830	77.70	.4130	34504130	82.75	.4430	34504430	88.35	.4730	34504730	94.70
.3535	34503535	74.70	.3835	34503835	77.70	.4135	34504135	82.75	.4435	34504435	88.35	.4735	34504735	94.70
.3540	34503540	74.70	.3840	34503840	77.70	.4140	34504140	82.75	.4440	34504440	88.35	.4740	34504740	94.70
.3545	34503545	74.70	.3845	34503845	77.70	.4145	34504145	82.75	.4445	34504445	88.35	.4745	34504745	94.70
.3550	34503550	74.70	.3850	34503850	77.70	.4150	34504150	82.75	.4450	34504450	88.35	.4750	34504750	94.70
.3555	34503555	74.70	.3855	34503855	77.70	.4155	34504155	82.75	.4455	34504455	88.35	.4755	34504755	94.70
.3560	34503560	74.70	.3860	34503860	77.70	.4160	34504160	82.75	.4460	34504460	88.35	.4760	34504760	94.70
.3565	34503565	74.70	.3865	34503865	77.70	.4165	34504165	82.75	.4465	34504465	88.35	.4765	34504765	94.70

CARBIDE TIPPED DECIMAL SIZE CHUCKING REAMERS

**TYPE 3450 - STRAIGHT SHANK - STRAIGHT FLUTE LONG CARBIDE
STANDARD DECIMAL DIAMETER REAMERS (.0005" INCREMENTS)
THIS PAGE .4770" THRU .6265"**

For fractional, wire, letter sizes and dimensions, see pages 72.

DECIMAL SIZE	EDP NO.	PRICE EACH	DECIMAL SIZE	EDP NO.	PRICE EACH	DECIMAL SIZE	EDP NO.	PRICE EACH	DECIMAL SIZE	EDP NO.	PRICE EACH	DECIMAL SIZE	EDP NO.	PRICE EACH
.4770	34504770	\$94.70	.5070	34505070	\$96.75	.5370	34505370	\$96.75	.5670	34505670	\$99.95	.5970	34505970	\$99.95
.4775	34504775	94.70	.5075	34505075	96.75	.5375	34505375	96.75	.5675	34505675	99.95	.5975	34505975	99.95
.4780	34504780	94.70	.5080	34505080	96.75	.5380	34505380	96.75	.5680	34505680	99.95	.5980	34505980	99.95
.4785	34504785	94.70	.5085	34505085	96.75	.5385	34505385	96.75	.5685	34505685	99.95	.5985	34505985	99.95
.4790	34504790	94.70	.5090	34505090	96.75	.5390	34505390	96.75	.5690	34505690	99.95	.5990	34505990	99.95
.4795	34504795	94.70	.5095	34505095	96.75	.5395	34505395	96.75	.5695	34505695	99.95	.5995	34505995	99.95
.4800	34504800	94.70	.5100	34505100	96.75	.5400	34505400	96.75	.5700	34505700	99.95	.6000	34506000	99.95
.4805	34504805	94.70	.5105	34505105	96.75	.5405	34505405	96.75	.5705	34505705	99.95	.6005	34506005	99.95
.4810	34504810	94.70	.5110	34505110	96.75	.5410	34505410	96.75	.5710	34505710	99.95	.6010	34506010	99.95
.4815	34504815	94.70	.5115	34505115	96.75	.5415	34505415	96.75	.5715	34505715	99.95	.6015	34506015	99.95
.4820	34504820	94.70	.5120	34505120	96.75	.5420	34505420	96.75	.5720	34505720	99.95	.6020	34506020	99.95
.4825	34504825	94.70	.5125	34505125	96.75	.5425	34505425	96.75	.5725	34505725	99.95	.6025	34506025	99.95
.4830	34504830	94.70	.5130	34505130	96.75	.5430	34505430	96.75	.5730	34505730	99.95	.6030	34506030	99.95
.4835	34504835	94.70	.5135	34505135	96.75	.5435	34505435	96.75	.5735	34505735	99.95	.6035	34506035	99.95
.4840	34504840	94.70	.5140	34505140	96.75	.5440	34505440	96.75	.5740	34505740	99.95	.6040	34506040	99.95
.4845	34504845	94.70	.5145	34505145	96.75	.5445	34505445	96.75	.5745	34505745	99.95	.6045	34506045	99.95
.4850	34504850	94.70	.5150	34505150	96.75	.5450	34505450	96.75	.5750	34505750	99.95	.6050	34506050	99.95
.4855	34504855	94.70	.5155	34505155	96.75	.5455	34505455	96.75	.5755	34505755	99.95	.6055	34506055	99.95
.4860	34504860	94.70	.5160	34505160	96.75	.5460	34505460	96.75	.5760	34505760	99.95	.6060	34506060	99.95
.4865	34504865	94.70	.5165	34505165	96.75	.5465	34505465	96.75	.5765	34505765	99.95	.6065	34506065	99.95
.4870	34504870	94.70	.5170	34505170	96.75	.5470	34505470	96.75	.5770	34505770	99.95	.6070	34506070	99.95
.4875	34504875	94.70	.5175	34505175	96.75	.5475	34505475	96.75	.5775	34505775	99.95	.6075	34506075	99.95
.4880	34504880	94.70	.5180	34505180	96.75	.5480	34505480	96.75	.5780	34505780	99.95	.6080	34506080	99.95
.4885	34504885	94.70	.5185	34505185	96.75	.5485	34505485	96.75	.5785	34505785	99.95	.6085	34506085	99.95
.4890	34504890	94.70	.5190	34505190	96.75	.5490	34505490	96.75	.5790	34505790	99.95	.6090	34506090	99.95
.4895	34504895	94.70	.5195	34505195	96.75	.5495	34505495	96.75	.5795	34505795	99.95	.6095	34506095	99.95
.4900	34504900	94.70	.5200	34505200	96.75	.5500	34505500	96.75	.5800	34505800	99.95	.6100	34506100	99.95
.4905	34504905	94.70	.5205	34505205	96.75	.5505	34505505	96.75	.5805	34505805	99.95	.6105	34506105	99.95
.4910	34504910	94.70	.5210	34505210	96.75	.5510	34505510	96.75	.5810	34505810	99.95	.6110	34506110	99.95
.4915	34504915	94.70	.5215	34505215	96.75	.5515	34505515	96.75	.5815	34505815	99.95	.6115	34506115	99.95
.4920	34504920	94.70	.5220	34505220	96.75	.5520	34505520	96.75	.5820	34505820	99.95	.6120	34506120	99.95
.4925	34504925	94.70	.5225	34505225	96.75	.5525	34505525	96.75	.5825	34505825	99.95	.6125	34506125	99.95
.4930	34504930	94.70	.5230	34505230	96.75	.5530	34505530	96.75	.5830	34505830	99.95	.6130	34506130	99.95
.4935	34504935	94.70	.5235	34505235	96.75	.5535	34505535	96.75	.5835	34505835	99.95	.6135	34506135	99.95
.4940	34504940	94.70	.5240	34505240	96.75	.5540	34505540	96.75	.5840	34505840	99.95	.6140	34506140	99.95
.4945	34504945	94.70	.5245	34505245	96.75	.5545	34505545	96.75	.5845	34505845	99.95	.6145	34506145	99.95
.4950	34504950	94.70	.5250	34505250	96.75	.5550	34505550	96.75	.5850	34505850	99.95	.6150	34506150	99.95
.4955	34504955	94.70	.5255	34505255	96.75	.5555	34505555	96.75	.5855	34505855	99.95	.6155	34506155	99.95
.4960	34504960	94.70	.5260	34505260	96.75	.5560	34505560	96.75	.5860	34505860	99.95	.6160	34506160	99.95
.4965	34504965	94.70	.5265	34505265	96.75	.5565	34505565	96.75	.5865	34505865	99.95	.6165	34506165	99.95
.4970	34504970	94.70	.5270	34505270	96.75	.5570	34505570	96.75	.5870	34505870	99.95	.6170	34506170	99.95
.4975	34504975	94.70	.5275	34505275	96.75	.5575	34505575	96.75	.5875	34505875	99.95	.6175	34506175	99.95
.4980	34504980	94.70	.5280	34505280	96.75	.5580	34505580	96.75	.5880	34505880	99.95	.6180	34506180	99.95
.4985	34504985	94.70	.5285	34505285	96.75	.5585	34505585	96.75	.5885	34505885	99.95	.6185	34506185	99.95
.4990	34504990	94.70	.5290	34505290	96.75	.5590	34505590	96.75	.5890	34505890	99.95	.6190	34506190	99.95
.4995	34504995	94.70	.5295	34505295	96.75	.5595	34505595	96.75	.5895	34505895	99.95	.6195	34506195	99.95
.5000	345016	78.45	.5300	34505300	96.75	.5600	34505600	96.75	.5900	34505900	99.95	.6200	34506200	99.95
.5005	34505005	94.70	.5305	34505305	96.75	.5605	34505605	96.75	.5905	34505905	99.95	.6205	34506205	99.95
.5010	34505010	94.70	.5310	34505310	96.75	.5610	34505610	96.75	.5910	34505910	99.95	.6210	34506210	99.95
.5015	34505015	94.70	.5315	3450135	96.75	.5615	34505615	96.75	.5915	34505915	99.95	.6215	34506215	99.95
.5020	34505020	94.70	.5320	34505320	96.75	.5620	34505620	96.75	.5920	34505920	99.95	.6220	3450158	99.95
.5025	34505025	94.70	.5325	34505325	96.75	.5625	345018	80.75	.5925	34505925	99.95	.6225	34506225	99.95
.5030	34505030	94.70	.5330	34505330	96.75	.5630	3450143	96.75	.5930	34505930	99.95	.6230	34506230	99.95
.5035	34505035	96.75	.5335	34505335	96.75	.5635	34505635	96.75	.5935	34505935	99.95	.6235	34506235	99.95
.5040	34505040	96.75	.5340	34505340	96.75	.5640	34505640	96.75	.5940	34505940	99.95	.6240	34506240	99.95
.5045	34505045	96.75	.5345	34505345	96.75	.5645	34505645	96.75	.5945	3450151	99.95	.6245	34506245	99.95
.5050	34505050	96.75	.5350	34505350	96.75	.5650	34505650	96.75	.5950	34505950	99.95	.6250	345020	83.85
.5055	34505055	96.75	.5355	34505355	96.75	.5655	34505655	96.75	.5955	34505955	99.95	.6255	34506255	99.95
.5060	34505060	96.75	.5360	34505360	96.75	.5660	34505660	96.75	.5960	34505960	99.95	.6260	3450159	99.95
.5065	34505065	96.75	.5365	34505365	96.75	.5665	34505665	99.95	.5965	34505965	99.95	.6265	34506265	99.95

CARBIDE TIPPED CHUCKING REAMERS FOR STEEL

METRIC

TYPE 3480 - STRAIGHT SHANK - STRAIGHT FLUTE LONG CARBIDE

Detailed description and fractional sizes on page 78. Tolerances on page 60.
Tool diameter in millimeters with all other dimensions in inches.



TOOL DIAMETER		MAX. SHANK DIAM.	NO. OF FLTS.	LENGTH		EDP NO.	PRICE EACH	METRIC SIZE RANGE	PRICE EACH - FINISHED TO METRIC SIZE						
mm	INCH			FLUTE	OVERALL				1 PC.	2 PC.	3 PC.	4 PC.	5-7	8-14	15+
4.5	.1772	.1704	4	1 1/8	4 1/2	3480045	\$82.65	4.494 - 4.696	\$116.70	\$94.10	\$86.60	\$82.90	\$79.10	\$76.00	\$71.60
5.0	.1969	.1805	4	1 1/8	4 1/2	3480050	82.65	4.697 - 5.182	116.70	94.10	86.60	82.90	79.10	76.00	71.60
5.5	.2165	.2075	4	1 1/4	5	3480055	82.65	5.183 - 5.613	116.70	94.10	86.60	82.90	79.10	76.00	71.60
6.0	.2362	.2265	4	1 1/2	6	3480060	82.65	5.614 - 6.045	116.70	94.10	86.60	82.90	79.10	76.00	71.60
-	.2480	.2405	4	1 1/2	6	3480063	-	6.046 - 6.426	116.70	94.10	86.60	82.90	79.10	76.00	71.60
6.5	.2559	.2485	4	1 1/2	6	3480065	84.15	6.427 - 7.214	118.20	95.55	88.00	84.30	80.65	77.40	73.10
7.0	.2756	.2485	4	1 1/2	6	3480070	84.15	-	-	-	-	-	-	-	-
7.5	.2953	.2792	4	1 1/2	6	3480075	84.15	7.215 - 8.001	118.20	95.55	88.00	84.30	80.65	77.40	73.10
8.0	.3150	.2792	4	1 1/2	6	3480080	84.15	-	-	-	-	-	-	-	-
8.5	.3346	.2792	4	1 1/2	6	3480085	86.65	8.002 - 8.814	120.80	98.10	90.50	86.90	83.05	79.90	75.55
9.0	.3543	.3105	4	1 3/4	7	3480090	86.65	8.815 - 9.601	120.80	98.10	90.50	86.90	83.05	79.90	75.55
9.5	.3740	.3105	4	1 3/4	7	3480095	86.65	-	-	-	-	-	-	-	-
10.0	.3937	.3105	4	1 3/4	7	3480100	90.25	9.602 - 10.389	124.20	101.65	94.00	90.40	86.60	83.50	79.10
10.5	.4134	.3730	6	1 3/4	7	3480105	102.10	10.390 - 11.201	136.15	113.60	106.05	102.30	98.55	95.35	90.95
11.0	.4331	.3730	6	1 3/4	7	3480110	102.10	-	-	-	-	-	-	-	-
11.5	.4528	.3730	6	1 3/4	7	3480115	103.00	11.202 - 11.989	137.05	114.35	106.90	103.15	99.35	96.25	91.85
12.0	.4724	.4355	6	2	8	3480120	110.35	11.990 - 12.776	146.75	122.60	114.40	110.50	106.40	103.05	98.45
12.5	.4921	.4355	6	2	8	3480125	110.35	-	-	-	-	-	-	-	-
13.0	.5118	.4355	6	2	8	3480130	112.95	12.777 - 13.564	149.50	125.25	117.10	113.15	109.05	105.75	101.05
13.5	.5315	.4355	6	2	8	3480135	112.95	-	-	-	-	-	-	-	-
14.0	.5512	.4355	6	2	8	3480140	112.95	13.565 - 14.376	149.50	125.25	117.10	113.15	109.05	105.75	101.05
14.5	.5709	.4355	6	2	8	3480145	116.65	14.377 - 15.164	153.05	128.95	120.85	116.85	112.80	109.35	104.70
15.0	.5906	.4355	6	2	8	3480150	116.65	-	-	-	-	-	-	-	-
15.5	.6102	.5615	6	2 1/4	9	3480155	116.65	15.165 - 15.951	153.05	128.95	120.85	116.85	112.80	109.35	104.70
16.0	.6299	.5615	6	2 1/4	9	3480160	118.50	15.952 - 16.739	155.10	130.80	122.75	118.70	114.65	111.30	106.55
16.5	.6496	.5615	6	2 1/4	9	3480165	118.50	-	-	-	-	-	-	-	-
17.0	.6693	.5615	6	2 1/4	9	3480170	118.50	16.740 - 17.551	155.10	130.80	122.75	118.70	114.65	111.30	106.55
17.5	.6890	.5615	6	2 1/4	9	3480175	118.50	-	-	-	-	-	-	-	-
18.0	.7087	.5615	6	2 1/4	9	3480180	123.25	17.552 - 18.339	159.60	135.40	127.40	123.40	119.40	115.90	111.30
18.5	.7283	.6245	6	2 1/2	9 1/2	3480185	123.25	18.340 - 19.126	159.60	135.40	127.40	123.40	119.40	115.90	111.30
19.0	.7480	.6245	6	2 1/2	9 1/2	3480190	123.25	-	-	-	-	-	-	-	-
19.5	.7677	.6245	6	2 1/2	9 1/2	3480195	126.80	19.127 - 19.914	163.40	139.10	130.95	127.05	122.95	119.60	115.00
20.0	.7874	.6245	6	2 1/2	9 1/2	3480200	126.80	19.915 - 20.726	163.40	139.10	130.95	127.05	122.95	119.60	115.00
20.5	.8071	.6245	6	2 1/2	9 1/2	3480205	126.80	-	-	-	-	-	-	-	-
21.0	.8268	.6245	6	2 1/2	9 1/2	3480210	131.25	20.727 - 21.514	167.85	143.60	135.40	131.50	127.50	124.05	119.45
21.5	.8465	.6245	6	2 1/2	9 1/2	3480215	131.25	-	-	-	-	-	-	-	-
22.0	.8661	.7495	6	2 5/8	10	3480220	131.25	21.515 - 22.301	167.85	143.60	135.40	131.50	127.50	124.05	119.45
22.5	.8858	.7495	6	2 5/8	10	3480225	155.90	22.302 - 23.089	193.75	168.65	160.25	156.10	151.80	148.40	143.50
23.0	.9055	.7495	6	2 5/8	10	3480230	155.90	-	-	-	-	-	-	-	-
23.5	.9252	.7495	8	2 5/8	10	3480235	155.90	23.090 - 23.901	193.75	168.65	160.25	156.10	151.80	148.40	143.50
24.0	.9449	.7495	8	2 5/8	10	3480240	162.55	23.902 - 24.689	200.50	175.40	166.95	162.80	158.55	155.15	150.20
24.5	.9646	.7495	8	2 5/8	10	3480245	162.55	-	-	-	-	-	-	-	-
25.0	.9843	.8745	8	2 3/4	10 1/2	3480250	162.55	24.690 - 25.476	200.50	175.40	166.95	162.80	158.55	155.15	150.20
25.5	1.0039	.8745	8	2 3/4	10 1/2	3480255	166.90	25.477 - 27.076	203.10	179.10	170.95	167.00	163.00	159.60	155.10
26.0	1.0236	.8745	8	2 3/4	10 1/2	3480260	166.90	-	-	-	-	-	-	-	-
27.0	1.0630	.8745	8	2 3/4	10 1/2	3480270	166.90	-	-	-	-	-	-	-	-
28.0	1.1024	.8745	8	2 7/8	11	3480280	179.35	27.077 - 28.651	215.65	191.65	183.50	179.50	175.55	172.15	167.55
29.0	1.1417	.9995	8	2 7/8	11	3480290	194.90	28.652 - 30.239	231.20	207.15	199.10	195.15	191.15	187.75	183.20
30.0	1.1811	.9995	8	2 7/8	11	3480300	194.90	-	-	-	-	-	-	-	-
31.0	1.2205	.9995	8	3	11 1/2	3480310	215.40	30.240 - 31.826	251.75	227.65	219.55	215.65	211.60	208.30	203.70
32.0	1.2598	.9995	8	3	11 1/2	3480320	215.40	31.827 - 33.414	251.75	227.65	219.55	215.65	211.60	208.30	203.70
33.0	1.2992	.9995	8	3	11 1/2	3480330	215.40	-	-	-	-	-	-	-	-
34.0	1.3386	.9995	8	3 1/4	12	3480340	218.35	33.415 - 35.001	254.65	230.60	222.60	218.60	214.60	211.15	206.55
35.0	1.3780	.9995	8	3 1/4	12	3480350	218.35	-	-	-	-	-	-	-	-
36.0	1.4173	.9995	8	3 1/4	12	3480360	239.65	35.002 - 36.589	275.90	251.85	243.65	239.80	235.75	232.40	227.80
37.0	1.4567	1.2495	8	3 1/2	12 1/2	3480370	284.55	36.590 - 38.176	320.75	296.75	288.65	284.70	280.60	277.35	272.70
38.0	1.4961	1.2495	8	3 1/2	12 1/2	3480380	284.55	-	-	-	-	-	-	-	-

CARBIDE TIPPED CHUCKING REAMERS FOR STEEL

TYPE 3480 - STRAIGHT SHANK - STRAIGHT FLUTE LONG CARBIDE

Flute long carbide tips brazed to one piece hardened alloy steel bodies.
Straight polished flutes.

Designed and manufactured for reaming accurate holes in steel, tough steel alloys and cast steels. Steel grade carbide is used in a full flute design with special steel cutting geometry that results in excellent performance and maximum tool life. Fast cutting to close tolerance.



For reamer tolerances and closer tolerance pricing, see page 60.

TOOL DIAMETER		MAX SHANK DIAM.	NO. OF FLUTES	LENGTH		EDP NO.	PRICE EACH	DECIMAL SIZE RANGE	PRICE EACH - FINISHED TO DECIMAL SIZE					
DECIMAL	FRACTIONAL			FLUTE	OVERALL				1 PC.	2 PC.	3 PC.	4 PC.	5-7	8-14*
.1875	3/16	.1805	4	1 1/8	4 1/2	348006	\$67.65	.1770 - .2040	\$112.95	\$90.30	\$82.65	\$79.10	\$75.25	\$72.10
.2031	13/64	.1805	4	1 1/8	4 1/2	34802031	67.65	-	-	-	-	-	-	-
.2188	7/32	.2075	4	1 1/4	5	348007	67.65	.2041 - .2210	112.95	90.30	82.65	79.10	75.25	72.10
.2344	15/64	.2265	4	1 1/2	6	34802344	67.65	.2211 - .2380	112.95	90.30	82.65	79.10	75.25	72.10
.2500	1/4	.2405	4	1 1/2	6	348008	67.65	.2381 - .2530	112.95	90.30	82.65	79.10	75.25	72.10
.2656	17/64	.2485	4	1 1/2	6	34802656	69.15	-	-	-	-	-	-	-
.2812	9/32	.2485	4	1 1/2	6	348009	69.15	.2531 - .2840	114.35	91.80	84.15	80.65	76.65	73.70
.2969	19/64	.2792	4	1 1/2	6	34802969	69.15	-	-	-	-	-	-	-
.3125	5/16	.2792	4	1 1/2	6	348010	69.15	.2841 - .3150	114.35	91.80	84.15	80.65	76.65	73.70
.3281	21/64	.2792	4	1 1/2	6	34803281	71.70	-	-	-	-	-	-	-
.3438	11/32	.2792	4	1 1/2	6	348011	71.70	.3151 - .3470	116.95	94.15	86.65	83.05	79.25	76.15
.3594	23/64	.3105	4	1 3/4	7	34803594	71.70	-	-	-	-	-	-	-
.3750	3/8	.3105	4	1 3/4	7	348012	71.70	.3471 - .3780	116.95	94.15	86.65	83.05	79.25	76.15
.3906	25/64	.3105	4	1 3/4	7	34803906	75.25	-	-	-	-	-	-	-
.4062	13/32	.3105	4	1 3/4	7	348013	75.25	.3781 - .4090	120.35	97.80	90.25	86.60	82.65	79.60
.4219	27/64	.3730	6	1 3/4	7	34804219	87.10	-	-	-	-	-	-	-
.4375	7/16	.3730	6	1 3/4	7	348014	87.10	.4091 - .4410	132.35	109.65	102.10	98.55	94.70	91.65
.4531	29/64	.3730	6	1 3/4	7	34804531	87.95	-	-	-	-	-	-	-
.4688	15/32	.3730	6	1 3/4	7	348015	87.95	.4411 - .4720	133.25	110.50	103.00	99.35	95.40	92.40
.4844	31/64	.4355	6	2	8	34804844	94.15	-	-	-	-	-	-	-
.5000	1/2	.4355	6	2	8	348016	94.15	.4721 - .5030	142.75	118.40	110.35	106.40	102.25	99.05
.5156	33/64	.4355	6	2	8	34805156	96.90	-	-	-	-	-	-	-
.5312	17/32	.4355	6	2	8	348017	96.90	.5031 - .5340	145.35	121.10	112.95	109.05	104.90	101.65
.5469	35/64	.4355	6	2	8	34805469	96.90	-	-	-	-	-	-	-
.5625	9/16	.4355	6	2	8	348018	96.90	.5341 - .5660	145.35	121.10	112.95	109.05	104.90	101.65
.5781	37/64	.4355	6	2	8	34805781	100.60	-	-	-	-	-	-	-
.5938	19/32	.4355	6	2	8	348019	100.60	.5661 - .5970	149.05	124.80	116.65	112.80	108.65	105.45
.6094	39/64	.5615	6	2 1/4	9	34806094	100.60	-	-	-	-	-	-	-
.6250	5/8	.5615	6	2 1/4	9	348020	100.60	.5971 - .6280	149.05	124.80	116.65	112.80	108.65	105.45
.6406	41/64	.5615	6	2 1/4	9	34806406	102.45	-	-	-	-	-	-	-
.6562	21/32	.5615	6	2 1/4	9	348021	102.45	.6281 - .6590	151.00	126.65	118.50	114.65	110.50	107.20
.6719	43/64	.5615	6	2 1/4	9	34806719	102.45	-	-	-	-	-	-	-

LEXINGTON CUTTER, INC. • sales@lexingtoncutter.com • Phone 800-882-2627 • Fax 800-882-3637

TOOL DIAMETER		MAX SHANK DIAM.	NO. OF FLUTES	LENGTH		EDP NO.	PRICE EACH	DECIMAL SIZE RANGE	PRICE EACH - FINISHED TO DECIMAL SIZE					
DECIMAL	FRACTIONAL			FLUTE	OVERALL				1 PC.	2 PC.	3 PC.	4 PC.	5-7	8-14*
.6875	11/16	.5615	6	2 1/4	9	348022	\$102.45	.6591 - .6910	\$151.00	\$126.65	\$118.50	\$114.65	110.50	\$107.20
.7031	45/64	.5615	6	2 1/4	9	34807031	107.15	-	-	-	-	-	-	-
.7188	23/32	.5615	6	2 1/4	9	348023	107.15	.6911 - .7220	155.60	131.25	123.25	119.40	115.15	111.90
.7344	47/64	.6245	6	2 1/2	9 1/2	34807344	107.15	-	-	-	-	-	-	-
.7500	3/4	.6245	6	2 1/2	9 1/2	348024	107.15	.7221 - .7530	155.60	131.25	123.25	119.40	115.15	111.90
.7656	49/64	.6245	6	2 1/2	9 1/2	34807656	110.85	-	-	-	-	-	-	-
.7812	25/32	.6245	6	2 1/2	9 1/2	348025	110.85	.7531 - .7840	159.25	134.95	126.80	122.95	118.80	115.55
.7969	51/64	.6245	6	2 1/2	9 1/2	34807969	110.85	-	-	-	-	-	-	-
.8125	13/16	.6245	6	2 1/2	9 1/2	348026	110.85	.7841 - .8160	159.25	134.95	126.80	122.95	118.80	115.55
.8281	53/64	.6245	6	2 1/2	9 1/2	34808281	115.30	-	-	-	-	-	-	-
.8438	27/32	.6245	6	2 1/2	9 1/2	348027	115.30	.8161 - .8470	163.70	139.35	131.25	127.50	123.30	120.00
.8594	55/64	.7495	6	2 5/8	10	34808594	115.30	-	-	-	-	-	-	-
.8750	7/8	.7495	6	2 5/8	10	348028	119.70	.8471 - .8780	169.85	144.70	136.25	132.20	127.90	124.50
.8906	57/64	.7495	6	2 5/8	10	34808906	139.25	-	-	-	-	-	-	-
.9062	29/32	.7495	6	2 5/8	10	348029	139.25	.8781 - .9090	189.60	164.45	155.90	151.80	147.60	144.10
.9219	59/64	.7495	8	2 5/8	10	34809219	139.25	-	-	-	-	-	-	-
.9375	15/16	.7495	8	2 5/8	10	348030	139.25	.9091 - .9410	189.60	164.45	155.90	151.80	147.60	144.10
.9531	61/64	.7495	8	2 5/8	10	34809531	145.95	-	-	-	-	-	-	-
.9688	31/32	.7495	8	2 5/8	10	348031	145.95	.9411 - .9720	196.25	171.10	162.55	158.55	154.25	150.85
.9844	63/64	.8745	8	2 3/4	10 1/2	34809844	145.95	-	-	-	-	-	-	-
1.0000	1	.8745	8	2 3/4	10 1/2	348032	145.95	.9721 - 1.0030	196.25	171.10	162.55	158.55	154.25	150.85
1.0625	1 1/16	.8745	8	2 3/4	10 1/2	348034	150.90	1.0031 - 1.0660	199.10	174.90	166.90	163.00	158.85	155.65
1.1250	1 1/8	.8745	8	2 7/8	11	348036	163.45	1.0661 - 1.1280	211.60	187.45	179.35	175.55	171.40	168.15
1.1875	1 3/16	.9995	8	2 7/8	11	348038	178.95	1.1281 - 1.1905	227.20	203.00	194.90	191.15	187.00	183.70
1.2500	1 1/4	.9995	8	3	11 1/2	348040	199.50	1.1906 - 1.2530	247.70	223.50	215.40	211.60	207.45	204.20
1.3125	1 5/16	.9995	8	3	11 1/2	348042	199.50	1.2531 - 1.3155	247.70	223.50	215.40	211.60	207.45	204.20
1.3750	1 3/8	.9995	8	3 1/4	12	348044	202.40	1.3156 - 1.3780	250.55	226.45	218.35	214.60	210.35	207.15
1.4375	1 7/16	.9995	8	3 1/4	12	348046	223.65	1.3781 - 1.4405	271.80	247.70	239.65	235.75	231.60	228.45
1.5000	1 1/2	1.2495	8	3 1/2	12 1/2	348048	268.55	1.4406 - 1.5030	316.75	292.55	284.55	280.60	276.60	273.30

*Quantities of 15 or more: price of fractional size in same size range.

CARBIDE TIPPED OVER & UNDER SIZE REAMERS FOR STEEL

TYPE 3488 - STRAIGHT SHANK STRAIGHT FLUTE LONG CARBIDE

These precision ground carbide tipped reamers are very convenient for finishing accurate holes in most steels.

Tool diameter tolerance: +.0002"/-.0000".

TOOL DIAMETER	MAX SHANK DIAM.	NO. OF FLUTES	LENGTH		TYPE 3488 EDP NO.	PRICE EACH
			FLUTE	OVERALL		
.1865	.1805	4	1 1/8	4 1/2	348818	\$84.60
.1885	.1805	4	1 1/8	4 1/2	348819	84.60
.2490	.2405	4	1 1/2	6	348824	84.60
.2510	.2405	4	1 1/2	6	348825	84.60
.3115	.2792	4	1 1/2	6	348831	86.15
.3135	.2792	4	1 1/2	6	348832	86.15
.3740	.3105	4	1 3/4	7	348837	88.60
.3760	.3105	4	1 3/4	7	348838	88.60
.4365	.3730	6	1 3/4	7	348843	104.10
.4385	.3730	6	1 3/4	7	348844	104.10
.4990	.4355	6	2	8	348849	112.40
.5010	.4355	6	2	8	348850	112.40
CASED SET OF ABOVE 12 REAMERS					348800	1064.90

CARBIDE TIPPED DOWEL PIN SIZE REAMERS FOR STEEL

TYPE 3486 - STRAIGHT SHANK STRAIGHT FLUTE LONG CARBIDE

These precision ground carbide tipped reamers accurately finish dowel pin holes in most steels. Should be used in pairs .0005" and .0020" under the fractional size. Note special undersize tolerance.

Tool diameter tolerance: +.0000"/-.0002".

TOOL DIAMETER	MAX SHANK DIAM.	NO. OF FLUTES	LENGTH		TYPE 3486 EDP NO.	PRICE EACH
			FLUTE	OVERALL		
.1855	.1805	4	1 1/8	4 1/2	348617	\$84.60
.1870	.1805	4	1 1/8	4 1/2	348618	84.60
.2480	.2405	4	1 1/2	6	348623	84.60
.2495	.2405	4	1 1/2	6	348624	84.60
.3105	.2792	4	1 1/2	6	348630	86.15
.3120	.2792	4	1 1/2	6	348631	86.15
.3730	.3105	4	1 3/4	7	348636	88.60
.3745	.3105	4	1 3/4	7	348637	88.60
.4355	.3730	6	1 3/4	7	348642	104.10
.4370	.3730	6	1 3/4	7	348643	104.10
.4980	.4355	6	2	8	348648	112.40
.4995	.4355	6	2	8	348649	112.40
CASED SET OF ABOVE 12 REAMERS					348600	1064.90

CARBIDE TIPPED CHUCKING REAMERS

TYPE 3452 - TAPER SHANK - STRAIGHT FLUTE LONG CARBIDE

Flute long carbide tips brazed to one piece hardened alloy steel bodies.
Straight polished flutes.

Designed and manufactured for maximum tool life. Used for all general reaming. Designed with flute long carbide for deep hole reaming.



For reamer tolerances and closer tolerance pricing, see page 60.

TOOL DIAMETER		MORSE TAPER	NO. OF FLUTES	LENGTH		EDP NO.	PRICE EACH	DECIMAL SIZE RANGE	PRICE EACH - FINISHED TO DECIMAL SIZE					
DECIMAL	FRAC.			FLUTE	OVERALL				1 PC.	2 PC.	3 PC.	4 PC.	5-7	8-14*
.2500	1/4	1	4	1 1/2	6	345208	\$64.90	.2381 - .2530	\$110.20	\$87.55	\$79.90	\$76.30	\$72.40	\$69.30
.2812	9/32	1	4	1 1/2	6	345209	65.80	.2531 - .2840	111.10	88.45	80.90	77.25	73.30	70.25
.3125	5/16	1	4	1 1/2	6	345210	65.80	.2841 - .3150	111.10	88.45	80.90	77.25	73.30	70.25
.3438	11/32	1	4	1 1/2	6	345211	67.30	.3151 - .3470	112.55	89.95	82.35	78.65	74.80	71.75
.3750	3/8	1	4	1 3/4	7	345212	68.05	.3471 - .3780	113.30	90.65	83.05	79.45	75.55	72.55
.4062	13/32	1	4	1 3/4	7	345213	71.70	.3781 - .4090	116.95	94.15	86.65	83.05	79.25	76.15
.4375	7/16	1	4	1 3/4	7	345214	76.35	.4091 - .4410	121.60	99.00	91.40	87.80	83.90	80.90
.4688	15/32	1	4	1 3/4	7	345215	78.00	.4411 - .4720	123.25	100.45	93.05	89.35	85.50	82.45
.5000	1/2	1	6	2	8	345216	84.05	.4721 - .5030	132.45	108.20	100.10	96.25	92.10	88.80
.5312	17/32	1	6	2	8	345217	92.10	.5031 - .5340	140.55	116.25	108.10	104.25	100.10	96.75
.5625	9/16	1	6	2	8	345218	92.10	.5341 - .5660	140.55	116.25	108.10	104.25	100.10	96.75
.5938	19/32	1	6	2	8	345219	96.30	.5661 - .5970	144.75	120.50	112.40	108.55	104.40	101.05
.6250	5/8	2	6	2	9	345220	96.30	.5971 - .6280	144.75	120.50	112.40	108.55	104.40	101.05
.6562	21/32	2	6	2	9	345221	98.10	.6281 - .6590	146.60	122.30	114.10	110.35	106.10	102.90
.6875	11/16	2	6	2	9	345222	98.10	.6591 - .6910	146.60	122.30	114.10	110.35	106.10	102.90
.7188	23/32	2	6	2	9	345223	99.50	.6911 - .7220	148.05	123.70	115.55	111.65	107.50	104.25
.7500	3/4	2	6	2	9 1/2	345224	102.70	.7221 - .7530	151.15	126.80	118.70	114.85	110.65	107.45
.7812	25/32	2	6	2	9 1/2	345225	103.45	.7531 - .7840	151.95	127.70	119.55	115.60	111.50	108.20
.8125	13/16	2	6	2	9 1/2	345226	105.90	.7841 - .8160	154.25	129.90	121.90	118.05	113.90	110.55
.8438	27/32	2	6	2	9 1/2	345227	110.50	.8161 - .8470	158.95	134.65	126.50	122.75	118.50	115.30
.8750	7/8	2	6	2 1/4	10	345228	114.70	.8471 - .8780	165.00	139.80	131.25	127.40	122.95	119.70
.9062	29/32	2	6	2 1/4	10	345229	129.20	.8781 - .9090	179.40	154.25	145.90	141.80	137.40	134.15
.9375	15/16	3	8	2 1/4	10	345230	134.30	.9091 - .9410	184.55	159.40	151.00	146.90	142.60	139.25
.9688	31/32	3	8	2 1/4	10	345231	139.85	.9411 - .9720	190.15	165.00	156.50	152.55	148.20	144.85
1.0000	1	3	8	2 1/4	10 1/2	345232	139.85	.9721 - 1.0030	190.15	165.00	156.50	152.55	148.20	144.85
1.0625	1 1/16	3	8	2 1/4	10 1/2	345234	191.75	1.0031 - 1.0660	239.90	215.70	207.60	203.85	199.65	196.40
1.1250	1 1/8	3	8	2 1/4	11	345236	206.40	1.0661 - 1.1280	254.65	230.55	222.55	218.60	214.45	211.15
1.1875	1 3/16	3	8	2 1/4	11	345238	221.85	1.1281 - 1.1905	270.00	245.90	237.80	233.95	229.85	226.55
1.2500	1 1/4	4	8	2 1/2	11 1/2	345240	235.75	1.1906 - 1.2530	283.90	259.75	251.75	247.85	243.65	240.50
1.3125	1 5/16	4	8	2 1/2	11 1/2	345242	266.25	1.2531 - 1.3155	314.40	290.25	282.10	278.40	274.15	270.90
1.3750	1 3/8	4	8	2 1/2	12	345244	304.15	1.3156 - 1.3780	352.30	328.25	320.00	316.25	312.10	308.80
1.4375	1 7/16	4	8	2 1/2	12	345246	317.45	1.3781 - 1.4405	365.65	341.55	333.40	329.65	325.45	322.20
1.5000	1 1/2	4	8	2 1/2	12 1/2	345248	330.70	1.4406 - 1.5030	378.95	354.80	346.80	342.90	338.70	335.45

LEXINGTON CUTTER, INC. • sales@lexingtoncutter.com • Phone 800-882-2627 • Fax 800-882-3637

CARBIDE TIPPED CHUCKING REAMERS METRIC

TYPE 3452 - TAPER SHANK - STRAIGHT FLUTE LONG CARBIDE

Detailed description and fractional sizes on page 80. Tolerances on page 60.
Tool diameter in millimeters with all other dimensions in inches.



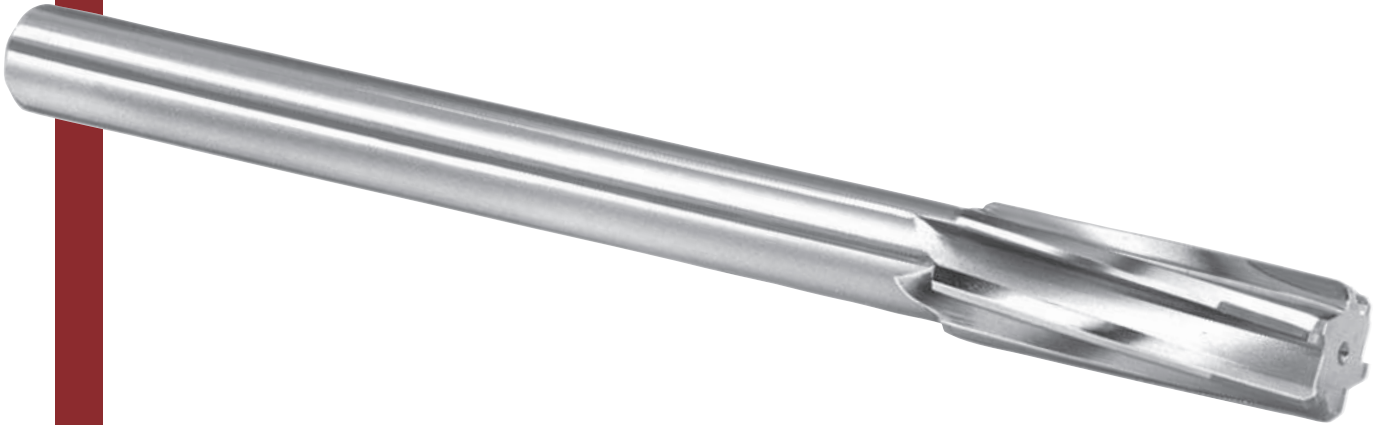
TOOL DIAMETER		MORSE TAPER	NO. OF FLTS.	LENGTH		EDP NO.	PRICE EACH	METRIC SIZE RANGE	PRICE EACH - FINISHED TO METRIC SIZE						
mm	INCH			FLUTE	OVERALL				1 PC.	2 PC.	3 PC.	4 PC.	5-7	8-14	15+
6.0	.2362	1	4	1 1/2	6	3452060	\$79.90	6.000 - 6.426	\$113.95	\$91.40	\$83.85	\$80.05	\$76.30	\$73.15	\$68.80
6.5	.2559	1	4	1 1/2	6	3452065	80.90	6.427 - 7.214	114.85	92.30	84.75	81.05	77.25	74.15	69.75
7.0	.2756	1	4	1 1/2	6	3452070	80.90	-	-	-	-	-	-	-	-
7.5	.2953	1	4	1 1/2	6	3452075	80.90	7.215 - 8.001	114.85	92.30	84.75	81.05	77.25	74.15	69.75
8.0	.3150	1	4	1 1/2	6	3452080	80.90	-	-	-	-	-	-	-	-
8.5	.3346	1	4	1 1/2	6	3452085	82.35	8.002 - 8.814	116.40	93.80	86.20	82.50	78.65	75.55	71.25
9.0	.3543	1	4	1 3/4	7	3452090	83.05	8.815 - 9.601	117.10	94.60	86.95	83.20	79.45	76.30	71.90
9.5	.3740	1	4	1 3/4	7	3452095	83.05	-	-	-	-	-	-	-	-
10.0	.3937	1	4	1 3/4	7	3452100	86.65	9.602 - 10.389	120.80	98.10	90.50	86.90	83.05	79.90	75.55
10.5	.4134	1	4	1 3/4	7	3452105	91.40	10.390 - 11.201	125.40	102.85	95.25	91.65	87.80	84.60	80.30
11.0	.4331	1	4	1 3/4	7	3452110	91.40	-	-	-	-	-	-	-	-
11.5	.4528	1	4	1 3/4	7	3452115	93.05	11.202 - 11.989	127.05	104.40	96.85	93.20	89.35	86.20	81.75
12.0	.4724	1	6	2	8	3452120	100.10	11.990 - 12.776	136.60	112.40	104.25	100.25	96.25	92.80	88.20
12.5	.4921	1	6	2	8	3452125	100.10	-	-	-	-	-	-	-	-
13.0	.5118	1	6	2	8	3452130	108.10	12.777 - 13.564	144.60	120.35	112.35	108.40	104.25	100.90	96.25
13.5	.5315	1	6	2	8	3452135	108.10	-	-	-	-	-	-	-	-
14.0	.5512	1	6	2	8	3452140	108.10	13.565 - 14.376	144.60	120.35	112.35	108.40	104.25	100.90	96.25
14.5	.5709	1	6	2	8	3452145	112.40	14.377 - 15.164	148.85	124.75	116.55	112.55	108.55	105.05	100.45
15.0	.5906	1	6	2	8	3452150	112.40	-	-	-	-	-	-	-	-
15.5	.6102	2	6	2	9	3452155	112.40	15.165 - 15.951	148.85	124.75	116.55	112.55	108.55	105.05	100.45
16.0	.6299	2	6	2	9	3452160	114.10	15.952 - 16.739	150.65	126.45	118.35	114.35	110.35	107.00	102.25
16.5	.6496	2	6	2	9	3452165	114.10	-	-	-	-	-	-	-	-
17.0	.6693	2	6	2	9	3452170	114.10	16.740 - 17.551	150.65	126.45	118.35	114.35	110.35	107.00	102.25
17.5	.6890	2	6	2	9	3452175	114.10	-	-	-	-	-	-	-	-
18.0	.7087	2	6	2	9	3452180	115.55	17.552 - 18.339	152.05	127.85	119.75	115.75	111.65	108.40	103.60
18.5	.7283	2	6	2	9 1/2	3452185	118.70	18.340 - 19.126	155.25	130.95	122.90	118.85	114.85	111.50	106.90
19.0	.7480	2	6	2	9 1/2	3452190	118.70	-	-	-	-	-	-	-	-
19.5	.7677	2	6	2	9 1/2	3452195	119.55	19.127 - 19.914	155.95	131.85	123.70	119.75	115.60	112.35	107.60
20.0	.7874	2	6	2	9 1/2	3452200	121.90	19.915 - 20.726	158.40	134.15	126.05	122.05	118.05	114.65	110.05
20.5	.8071	2	6	2	9 1/2	3452205	121.90	-	-	-	-	-	-	-	-
21.0	.8268	2	6	2	9 1/2	3452210	126.50	20.727 - 21.514	163.00	138.85	130.75	126.75	122.75	119.40	114.65
21.5	.8465	2	6	2	9 1/2	3452215	126.50	-	-	-	-	-	-	-	-
22.0	.8661	2	6	2 1/4	10	3452220	126.50	21.515 - 22.301	163.00	138.85	130.75	126.75	122.75	119.40	114.65
22.5	.8858	2	6	2 1/4	10	3452225	145.90	22.302 - 23.089	183.65	158.55	150.10	146.05	141.80	138.30	133.55
23.0	.9055	2	6	2 1/4	10	3452230	145.90	-	-	-	-	-	-	-	-
23.5	.9252	3	8	2 1/4	10	3452235	151.00	23.090 - 23.901	188.75	163.70	155.30	151.15	146.90	143.45	138.70
24.0	.9449	3	8	2 1/4	10	3452240	156.50	23.902 - 24.689	194.40	169.25	160.85	156.80	152.55	149.05	144.10
24.5	.9646	3	8	2 1/4	10	3452245	156.50	-	-	-	-	-	-	-	-
25.0	.9843	3	8	2 1/4	10 1/2	3452250	156.50	24.690 - 25.476	194.40	169.25	160.85	156.80	152.55	149.05	144.10
25.5	1.0039	3	8	2 1/4	10 1/2	3452255	207.60	25.477 - 27.076	243.95	219.95	211.75	207.85	203.85	200.50	195.90
26.0	1.0236	3	8	2 1/4	10 1/2	3452260	207.60	-	-	-	-	-	-	-	-
27.0	1.0630	3	8	2 1/4	10 1/2	3452270	207.60	-	-	-	-	-	-	-	-
28.0	1.1024	3	8	2 1/4	11	3452280	222.55	27.077 - 28.651	258.75	234.70	226.55	222.65	218.60	215.25	210.65
29.0	1.1417	3	8	2 1/4	11	3452290	237.80	28.652 - 30.239	274.10	250.05	241.90	238.05	233.95	230.60	226.00
30.0	1.1811	3	8	2 1/4	11	3452300	237.80	-	-	-	-	-	-	-	-
31.0	1.2205	4	8	2 1/2	11 1/2	3452310	251.75	30.240 - 31.826	287.95	263.95	255.85	251.90	247.85	244.50	239.90
32.0	1.2598	4	8	2 1/2	11 1/2	3452320	282.10	31.827 - 33.414	318.45	294.35	286.35	282.35	278.40	274.90	270.25
33.0	1.2992	4	8	2 1/2	11 1/2	3452330	282.10	-	-	-	-	-	-	-	-
34.0	1.3386	4	8	2 1/2	12	3452340	320.00	33.415 - 35.001	356.40	332.35	324.25	320.40	316.25	312.90	308.30
35.0	1.3780	4	8	2 1/2	12	3452350	320.00	-	-	-	-	-	-	-	-
36.0	1.4173	4	8	2 1/2	12	3452360	333.40	35.002 - 36.589	369.65	345.60	337.60	333.60	329.65	326.20	321.50
37.0	1.4567	4	8	2 1/2	12 1/2	3452370	346.80	36.590 - 38.176	383.00	358.90	350.80	346.95	342.90	339.55	334.95
38.0	1.4961	4	8	2 1/2	12 1/2	3452380	346.80	-	-	-	-	-	-	-	-

CARBIDE TIPPED RIGHT SPIRAL CHUCKING REAMERS

TYPE 3410 - STRAIGHT SHANK - RIGHT SPIRAL FLUTES

Carbide tips brazed to one piece hardened alloy steel bodies. Right spiral polished flutes.

Designed and manufactured for maximum tool life. Right spiral flutes have greater chip clearing ability for use with ductile materials, highly abrasive materials or blind holes. Finishes are much better as spiral flutes tend to bridge interruptions such as keyways, slots or intersecting holes.



For metric sizes, see page 84.

For reamer tolerances and closer tolerance pricing, see page 60.

TOOL DIAMETER		SHANK DIAM.	NO. OF FLUTES	LENGTH			EDP NO.	PRICE EACH	DECIMAL SIZE RANGE	PRICE EACH - FINISHED TO DECIMAL SIZE					
DECIMAL	FRAC.			FLT	CARB	OAL				1 PC.	2 PC.	3 PC.	4 PC.	5-7	8-14*
.1875	3/16	11/64	4	1 1/8	1/2	4 1/2	341006	\$66.40	.1770 - .2040	\$109.50	\$87.95	\$80.75	\$77.25	\$73.55	\$70.65
.2188	7/32	13/64	4	1 1/4	1/2	5	341007	66.40	.2041 - .2210	109.50	87.95	80.75	77.25	73.55	70.65
.2344	15/64	7/32	4	1 1/2	1/2	6	34102344	66.40	.2211 - .2380	109.50	87.95	80.75	77.25	73.55	70.65
.2500	1/4	15/64	4	1 1/2	1/2	6	341008	66.40	.2381 - .2530	109.50	87.95	80.75	77.25	73.55	70.65
.2812	9/32	15/64	4	1 1/2	1/2	6	341009	66.65	.2531 - .2840	109.65	88.10	80.90	77.40	73.70	70.80
.3125	5/16	9/32	4	1 1/2	1/2	6	341010	66.65	.2841 - .3150	109.65	88.10	80.90	77.40	73.70	70.80
.3438	11/32	9/32	4	1 1/2	5/8	6	341011	73.30	.3151 - .3470	116.40	94.75	87.55	84.15	80.45	77.55
.3750	3/8	5/16	4	1 3/4	5/8	7	341012	74.00	.3471 - .3780	117.00	95.50	88.20	84.90	81.15	78.30
.4062	13/32	5/16	4	1 3/4	5/8	7	341013	77.30	.3781 - .4090	120.45	98.85	91.65	88.15	84.45	81.55
.4375	7/16	3/8	4	1 3/4	5/8	7	341014	80.45	.4091 - .4410	123.45	101.95	94.70	91.25	87.55	84.65
.4688	15/32	3/8	4	1 3/4	5/8	7	341015	85.35	.4411 - .4720	128.45	106.90	99.65	96.15	92.55	89.55
.5000	1/2	7/16	6	2	5/8	8	341016	88.60	.4721 - .5030	132.75	110.55	103.20	99.65	95.85	92.90
.5312	17/32	7/16	6	2	5/8	8	341017	91.25	.5031 - .5340	135.50	113.30	105.95	102.40	98.60	95.65
.5625	9/16	7/16	6	2	5/8	8	341018	91.25	.5341 - .5660	135.50	113.30	105.95	102.40	98.60	95.65
.5938	19/32	7/16	6	2	5/8	8	341019	94.00	.5661 - .5970	138.15	116.05	108.65	105.05	101.30	98.30
.6250	5/8	9/16	6	2 1/4	5/8	9	341020	94.00	.5971 - .6280	138.15	116.05	108.65	105.05	101.30	98.30
.6562	21/32	9/16	6	2 1/4	5/8	9	341021	96.70	.6281 - .6590	141.00	118.80	111.35	107.80	103.95	101.05
.6875	11/16	9/16	6	2 1/4	5/8	9	341022	103.00	.6591 - .6910	147.15	124.95	117.60	114.05	110.25	107.30
.7188	23/32	9/16	6	2 1/4	5/8	9	341023	104.40	.6911 - .7220	148.55	126.45	119.00	115.55	111.65	108.70
.7500	3/4	5/8	6	2 1/2	3/4	9 1/2	341024	106.05	.7221 - .7530	150.25	128.05	120.65	117.10	113.30	110.35
.7812	25/32	5/8	6	2 1/2	3/4	9 1/2	341025	108.70	.7531 - .7840	153.00	130.80	123.40	119.85	116.05	113.10
.8125	13/16	5/8	6	2 1/2	3/4	9 1/2	341026	108.70	.7841 - .8160	153.00	130.80	123.40	119.85	116.05	113.10
.8438	27/32	5/8	6	2 1/2	3/4	9 1/2	341027	114.65	.8161 - .8470	158.95	136.75	129.35	125.85	122.00	119.00
.8750	7/8	3/4	6	2 5/8	3/4	10	341028	119.00	.8471 - .8780	164.95	141.95	134.15	130.60	126.60	123.45
.9062	29/32	3/4	6	2 5/8	3/4	10	341029	138.70	.8781 - .9090	184.55	161.55	153.90	150.20	146.25	143.15
.9375	15/16	3/4	8	2 5/8	3/4	10	341030	138.70	.9091 - .9410	184.55	161.55	153.90	150.20	146.25	143.15
.9688	31/32	3/4	8	2 5/8	3/4	10	341031	145.35	.9411 - .9720	191.30	168.30	160.65	156.95	152.95	149.95
1.0000	1	7/8	8	2 3/4	3/4	10 1/2	341032	145.35	.9721 - 1.0030	191.30	168.30	160.65	156.95	152.95	149.95
1.0625	1 1/16	7/8	8	2 3/4	3/4	10 1/2	341034	155.95	1.0031 - 1.0660	201.90	178.90	171.25	167.55	163.55	160.50
1.1250	1 1/8	7/8	8	2 7/8	7/8	11	341036	160.80	1.0661 - 1.1280	206.65	183.70	176.00	172.30	168.35	165.30
1.1875	1 3/16	1	8	2 7/8	7/8	11	341038	168.95	1.1281 - 1.1905	214.80	191.90	184.15	180.45	176.50	173.50
1.2500	1 1/4	1	8	3	7/8	11 1/2	341040	178.80	1.1906 - 1.2530	224.70	201.70	194.05	190.30	186.40	183.35
1.3125	1 5/16	1	8	3	7/8	11 1/2	341042	197.80	1.2531 - 1.3155	243.80	220.80	213.05	209.45	205.45	202.35
1.3750	1 3/8	1	8	3 1/4	7/8	12	341044	216.80	1.3156 - 1.3780	262.75	239.75	232.00	228.40	224.45	221.35
1.4375	1 7/16	1 1/4	8	3 1/4	7/8	12	341046	229.65	1.3781 - 1.4405	275.60	252.60	244.85	241.30	237.30	234.20
1.5000	1 1/2	1 1/4	8	3 1/2	7/8	12 1/2	341048	242.65	1.4406 - 1.5030	288.50	265.50	257.85	254.15	250.30	247.15

LEXINGTON CUTTER, INC. • sales@lexingtoncutter.com • Phone 800-882-2627 • Fax 800-882-3637

CARBIDE TIPPED LEFT SPIRAL CHUCKING REAMERS

TYPE 3420 - STRAIGHT SHANK - LEFT SPIRAL FLUTES

Carbide tips brazed to one piece hardened alloy steel bodies. Left spiral polished flutes.

Designed and manufactured for maximum tool life. Left spiral flutes should only be used on through holes for heat treated steels, hard cast iron and other hard materials. Finishes are much better as spiral flutes tend to bridge interruptions such as keyways, slots or intersecting holes.



For metric sizes, see page 84.

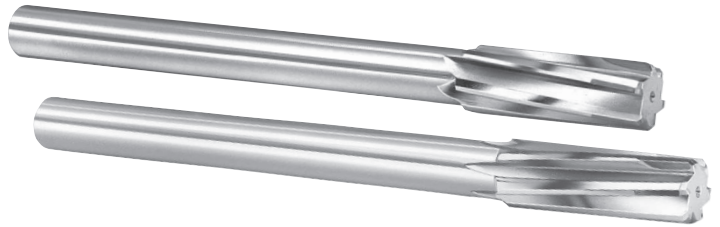
For reamer tolerances and closer tolerance pricing, see page 60.

TOOL DIAMETER		SHANK DIAM.	NO. OF FLUTES	LENGTH			EDP NO.	PRICE EACH	DECIMAL SIZE RANGE	PRICE EACH - FINISHED TO DECIMAL SIZE					
DECIMAL	FRAC.			FLT	CARB	OAL				1 PC.	2 PC.	3 PC.	4 PC.	5-7	8-14*
.1875	3/16	11/64	4	1 1/8	1/2	4 1/2	342006	\$66.40	.1770 - .2040	\$109.50	\$87.95	\$80.75	\$77.25	\$73.55	\$70.65
.2188	7/32	13/64	4	1 1/4	1/2	5	342007	66.40	.2041 - .2210	109.50	87.95	80.75	77.25	73.55	70.65
.2344	15/64	7/32	4	1 1/2	1/2	6	34202344	66.40	.2211 - .2380	109.50	87.95	80.75	77.25	73.55	70.65
.2500	1/4	15/64	4	1 1/2	1/2	6	342008	66.40	.2381 - .2530	109.50	87.95	80.75	77.25	73.55	70.65
.2812	9/32	15/64	4	1 1/2	1/2	6	342009	66.65	.2531 - .2840	109.65	88.10	80.90	77.40	73.70	70.80
.3125	5/16	9/32	4	1 1/2	1/2	6	342010	66.65	.2841 - .3150	109.65	88.10	80.90	77.40	73.70	70.80
.3438	11/32	9/32	4	1 1/2	5/8	6	342011	73.30	.3151 - .3470	116.40	94.75	87.55	84.15	80.45	77.55
.3750	3/8	5/16	4	1 3/4	5/8	7	342012	74.00	.3471 - .3780	117.00	95.50	88.20	84.90	81.15	78.30
.4062	13/32	5/16	4	1 3/4	5/8	7	342013	77.30	.3781 - .4090	120.45	98.85	91.65	88.15	84.45	81.55
.4375	7/16	3/8	4	1 3/4	5/8	7	342014	80.45	.4091 - .4410	123.45	101.95	94.70	91.25	87.55	84.65
.4688	15/32	3/8	4	1 3/4	5/8	7	342015	85.35	.4411 - .4720	128.45	106.90	99.65	96.15	92.55	89.55
.5000	1/2	7/16	6	2	5/8	8	342016	88.60	.4721 - .5030	132.75	110.55	103.20	99.65	95.85	92.90
.5312	17/32	7/16	6	2	5/8	8	342017	91.25	.5031 - .5340	135.50	113.30	105.95	102.40	98.60	95.65
.5625	9/16	7/16	6	2	5/8	8	342018	91.25	.5341 - .5660	135.50	113.30	105.95	102.40	98.60	95.65
.5938	19/32	7/16	6	2	5/8	8	342019	94.00	.5661 - .5970	138.15	116.05	108.65	105.05	101.30	98.30
.6250	5/8	9/16	6	2 1/4	5/8	9	342020	94.00	.5971 - .6280	138.15	116.05	108.65	105.05	101.30	98.30
.6562	21/32	9/16	6	2 1/4	5/8	9	342021	96.70	.6281 - .6590	141.00	118.80	111.35	107.80	103.95	101.05
.6875	11/16	9/16	6	2 1/4	5/8	9	342022	103.00	.6591 - .6910	147.15	124.95	117.60	114.05	110.25	107.30
.7188	23/32	9/16	6	2 1/4	5/8	9	342023	104.40	.6911 - .7220	148.55	126.45	119.00	115.55	111.65	108.70
.7500	3/4	5/8	6	2 1/2	3/4	9 1/2	342024	106.05	.7221 - .7530	150.25	128.05	120.65	117.10	113.30	110.35
.7812	25/32	5/8	6	2 1/2	3/4	9 1/2	342025	108.70	.7531 - .7840	153.00	130.80	123.40	119.85	116.05	113.10
.8125	13/16	5/8	6	2 1/2	3/4	9 1/2	342026	108.70	.7841 - .8160	153.00	130.80	123.40	119.85	116.05	113.10
.8438	27/32	5/8	6	2 1/2	3/4	9 1/2	342027	114.65	.8161 - .8470	158.95	136.75	129.35	125.85	122.00	119.00
.8750	7/8	3/4	6	2 5/8	3/4	10	342028	119.00	.8471 - .8780	164.95	141.95	134.15	130.60	126.60	123.45
.9062	29/32	3/4	6	2 5/8	3/4	10	342029	138.70	.8781 - .9090	184.55	161.55	153.90	150.20	146.25	143.15
.9375	15/16	3/4	8	2 5/8	3/4	10	342030	138.70	.9091 - .9410	184.55	161.55	153.90	150.20	146.25	143.15
.9688	31/32	3/4	8	2 5/8	3/4	10	342031	145.35	.9411 - .9720	191.30	168.30	160.65	156.95	152.95	149.95
1.0000	1	7/8	8	2 3/4	3/4	10 1/2	342032	145.35	.9721 - 1.0030	191.30	168.30	160.65	156.95	152.95	149.95
1.0625	1 1/16	7/8	8	2 3/4	3/4	10 1/2	342034	155.95	1.0031 - 1.0660	201.90	178.90	171.25	167.55	163.55	160.50
1.1250	1 1/8	7/8	8	2 3/4	7/8	11	342036	160.80	1.0661 - 1.1280	206.65	183.70	176.00	172.30	168.35	165.30
1.1875	1 3/16	1	8	2 7/8	7/8	11	342038	168.95	1.1281 - 1.1905	214.80	191.90	184.15	180.45	176.50	173.50
1.2500	1 1/4	1	8	3	7/8	11 1/2	342040	178.80	1.1906 - 1.2530	224.70	201.70	194.05	190.30	186.40	183.35
1.3125	1 5/16	1	8	3	7/8	11 1/2	342042	197.80	1.2531 - 1.3155	243.80	220.80	213.05	209.45	205.45	202.35
1.3750	1 3/8	1	8	3 1/4	7/8	12	342044	216.80	1.3156 - 1.3780	262.75	239.75	232.00	228.40	224.45	221.35
1.4375	1 7/16	1 1/4	8	3 1/4	7/8	12	342046	229.65	1.3781 - 1.4405	275.60	252.60	244.85	241.30	237.30	234.20
1.5000	1 1/2	1 1/4	8	3 1/2	7/8	12 1/2	342048	242.65	1.4406 - 1.5030	288.50	265.50	257.85	254.15	250.30	247.15

CARBIDE TIPPED SPIRAL CHUCKING REAMERS

TYPE 3410 - STRAIGHT SHANK - RIGHT SPIRAL FLUTES
TYPE 3420 - STRAIGHT SHANK - LEFT SPIRAL FLUTES

Detailed description and fractional sizes on pages 82 & 83.
 Tolerances on page 60. Tool diameter in millimeters
 with all other dimensions in inches.



TOOL DIAMETER		SHANK DIAM.	NO. OF FLTS.	LENGTH			RIGHT SPIRAL TYPE 3410 EDP NO.	LEFT SPIRAL TYPE 3420 EDP NO.	BOTH TYPES PRICE	METRIC SIZE RANGE	PRICE EACH - FINISHED TO METRIC SIZE						
mm	INCH			FLT	CARB	OAL					1 PC.	2 PC.	3 PC.	4 PC.	5-7	8-14	15+
4.5	.1772	1/64	4	1 1/8	1/2	4 1/2	3410045	3420045	\$80.75	4.494 - 5.182	\$113.10	\$91.65	\$84.35	\$80.90	\$77.25	\$74.25	\$70.20
5.0	.1969	1/64	4	1 1/8	1/2	4 1/2	3410050	3420050	80.75	-	-	-	-	-	-	-	
5.5	.2165	1/64	4	1 1/4	1/2	5	3410055	3420055	80.75	5.183 - 5.613	113.10	91.65	84.35	80.90	77.25	74.25	70.20
6.0	.2362	7/32	4	1 1/2	1/2	6	3410060	3420060	80.75	5.614 - 6.045	113.10	91.65	84.35	80.90	77.25	74.25	70.20
-	.2480	1/64	4	1 1/2	1/2	6	3410063	3420063	-	6.046 - 6.426	113.10	91.65	84.35	80.90	77.25	74.25	70.20
6.5	.2559	1/64	4	1 1/2	1/2	6	3410065	3420065	80.90	6.427 - 7.214	113.25	91.80	84.60	81.05	77.40	74.40	70.35
7.0	.2756	1/64	4	1 1/2	1/2	6	3410070	3420070	80.90	-	-	-	-	-	-	-	
7.5	.2953	9/32	4	1 1/2	1/2	6	3410075	3420075	80.90	7.215 - 8.001	113.25	91.80	84.60	81.05	77.40	74.40	70.35
8.0	.3150	9/32	4	1 1/2	1/2	6	3410080	3420080	80.90	-	-	-	-	-	-	-	
8.5	.3346	9/32	4	1 1/2	5/8	6	3410085	3420085	87.55	8.002 - 8.814	119.90	98.45	91.25	87.80	84.15	81.15	77.00
9.0	.3543	5/16	4	1 3/4	5/8	7	3410090	3420090	88.20	8.815 - 9.601	120.65	99.20	91.95	88.35	84.90	81.75	77.70
9.5	.3740	5/16	4	1 3/4	5/8	7	3410095	3420095	88.20	-	-	-	-	-	-	-	
10.0	.3937	3/16	4	1 3/4	5/8	7	3410100	3420100	91.65	9.602 - 10.389	124.05	102.55	95.35	91.80	88.15	85.20	81.05
10.5	.4134	3/8	4	1 3/4	5/8	7	3410105	3420105	94.70	10.390 - 11.201	127.10	105.65	98.40	94.85	91.25	88.20	84.15
11.0	.4331	3/8	4	1 3/4	5/8	7	3410110	3420110	94.70	-	-	-	-	-	-	-	
11.5	.4528	3/8	4	1 3/4	5/8	7	3410115	3420115	99.65	11.202 - 11.989	132.10	110.55	103.35	99.80	96.15	93.20	89.05
12.0	.4724	7/16	6	2	5/8	8	3410120	3420120	103.20	11.990 - 12.776	136.45	114.40	107.00	103.35	99.65	96.60	92.30
12.5	.4921	7/16	6	2	5/8	8	3410125	3420125	103.20	-	-	-	-	-	-	-	
13.0	.5118	7/16	6	2	5/8	8	3410130	3420130	105.95	12.777 - 13.564	139.20	117.10	109.75	106.10	102.40	99.35	95.10
13.5	.5315	7/16	6	2	5/8	8	3410135	3420135	105.95	-	-	-	-	-	-	-	
14.0	.5512	7/16	6	2	5/8	8	3410140	3420140	105.95	13.565 - 14.376	139.20	117.10	109.75	106.10	102.40	99.35	95.10
14.5	.5709	7/16	6	2	5/8	8	3410145	3420145	108.65	14.377 - 15.164	141.85	119.85	112.40	108.80	105.05	102.00	97.80
15.0	.5906	7/16	6	2	5/8	8	3410150	3420150	108.65	-	-	-	-	-	-	-	
15.5	.6102	9/16	6	2 1/4	5/8	9	3410155	3420155	108.65	15.165 - 15.951	141.85	119.85	112.40	108.80	105.05	102.00	97.80
16.0	.6299	9/16	6	2 1/4	5/8	9	3410160	3420160	111.35	15.952 - 16.739	144.60	122.50	115.15	111.50	107.80	104.75	100.55
16.5	.6496	9/16	6	2 1/4	5/8	9	3410165	3420165	111.35	-	-	-	-	-	-	-	
17.0	.6693	9/16	6	2 1/4	5/8	9	3410170	3420170	117.60	16.740 - 17.551	150.85	128.80	121.40	117.75	114.05	111.00	106.70
17.5	.6890	9/16	6	2 1/4	5/8	9	3410175	3420175	117.60	-	-	-	-	-	-	-	
18.0	.7087	9/16	6	2 1/4	5/8	9	3410180	3420180	119.00	17.552 - 18.339	152.35	130.20	122.90	119.25	115.55	112.40	108.20
18.5	.7283	5/8	6	2 1/2	3/4	9 1/2	3410185	3420185	120.65	18.340 - 19.126	153.90	131.95	124.45	120.80	117.10	114.05	109.80
19.0	.7480	5/8	6	2 1/2	3/4	9 1/2	3410190	3420190	120.65	-	-	-	-	-	-	-	
19.5	.7677	5/8	6	2 1/2	3/4	9 1/2	3410195	3420195	123.40	19.127 - 19.914	156.70	134.60	127.20	123.55	119.85	116.80	112.55
20.0	.7874	5/8	6	2 1/2	3/4	9 1/2	3410200	3420200	123.40	19.915 - 20.726	156.70	134.60	127.20	123.55	119.85	116.80	112.55
20.5	.8071	5/8	6	2 1/2	3/4	9 1/2	3410205	3420205	123.40	-	-	-	-	-	-	-	
21.0	.8268	5/8	6	2 1/2	3/4	9 1/2	3410210	3420210	129.35	20.727 - 21.514	162.65	140.55	133.20	129.55	125.85	122.80	118.40
21.5	.8465	5/8	6	2 1/2	3/4	9 1/2	3410215	3420215	129.35	-	-	-	-	-	-	-	
22.0	.8661	3/4	6	2 5/8	3/4	10	3410220	3420220	129.35	21.515 - 22.301	162.65	140.55	133.20	129.55	125.85	122.80	118.40
22.5	.8858	3/4	6	2 5/8	3/4	10	3410225	3420225	153.90	22.302 - 23.089	188.40	165.45	157.75	154.05	150.20	147.00	142.60
23.0	.9055	3/4	6	2 5/8	3/4	10	3410230	3420230	153.90	-	-	-	-	-	-	-	
23.5	.9252	3/4	8	2 5/8	3/4	10	3410235	3420235	153.90	23.090 - 23.901	188.40	165.45	157.75	154.05	150.20	147.00	142.60
24.0	.9449	3/4	8	2 5/8	3/4	10	3410240	3420240	160.65	23.902 - 24.689	195.15	172.20	164.60	160.80	156.95	153.75	149.35
24.5	.9646	3/4	8	2 5/8	3/4	10	3410245	3420245	160.65	-	-	-	-	-	-	-	
25.0	.9843	7/8	8	2 3/4	3/4	10 1/2	3410250	3420250	160.65	24.690 - 25.476	195.15	172.20	164.60	160.80	156.95	153.75	149.35
25.5	1.0039	7/8	8	2 3/4	3/4	10 1/2	3410255	3420255	171.25	25.477 - 27.076	205.75	182.85	175.20	171.40	167.55	164.35	160.00
26.0	1.0236	7/8	8	2 3/4	3/4	10 1/2	3410260	3420260	171.25	-	-	-	-	-	-	-	
27.0	1.0630	7/8	8	2 3/4	3/4	10 1/2	3410270	3420270	171.25	-	-	-	-	-	-	-	
28.0	1.1024	7/8	8	2 7/8	7/8	11	3410280	3420280	176.00	27.077 - 28.651	210.50	187.65	180.00	176.20	172.30	169.10	164.70
29.0	1.1417	1	8	2 7/8	7/8	11	3410290	3420290	184.15	28.652 - 30.239	218.75	195.80	188.15	184.40	180.45	177.25	172.90
30.0	1.1811	1	8	2 7/8	7/8	11	3410300	3420300	184.15	-	-	-	-	-	-	-	
31.0	1.2205	1	8	3	7/8	11 1/2	3410310	3420310	194.05	30.240 - 31.826	228.55	205.70	197.95	194.20	190.30	187.15	182.75
32.0	1.2598	1	8	3	7/8	11 1/2	3410320	3420320	213.05	31.827 - 33.414	247.60	224.70	217.05	213.25	209.45	206.30	201.75
33.0	1.2992	1	8	3	7/8	11 1/2	3410330	3420330	213.05	-	-	-	-	-	-	-	
34.0	1.3386	1	8	3 1/4	7/8	12	3410340	3420340	232.00	33.415 - 35.001	266.60	243.65	235.95	232.25	228.40	225.20	220.80
35.0	1.3780	1	8	3 1/4	7/8	12	3410350	3420350	232.00	-	-	-	-	-	-	-	
36.0	1.4173	1 1/4	8	3 1/4	7/8	12	3410360	3420360	244.85	35.002 - 36.589	279.45	256.50	248.85	245.10	241.30	238.05	233.60
37.0	1.4567	1 1/4	8	3 1/2	7/8	12 1/2	3410370	3420370	257.85	36.590 - 38.176	292.35	269.50	261.80	258.00	254.15	250.95	246.55
38.0	1.4961	1 1/4	8	3 1/2	7/8	12 1/2	3410380	3420380	257.85	-	-	-	-	-	-	-	

CARBIDE TIPPED SPIRAL CHUCKING REAMERS

TYPE 3412 - TAPER SHANK - RIGHT SPIRAL FLUTES

Carbide tips brazed to one piece hardened alloy steel bodies. Right spiral polished flutes.

Designed and manufactured for maximum tool life. Right spiral flutes have greater chip clearing ability for use with ductile materials, highly abrasive materials or blind holes.

Finishes are much better as spiral flutes tend to bridge interruptions such as keyways, slots or intersecting holes.



TYPE 3422 - TAPER SHANK - LEFT SPIRAL FLUTES

Carbide tips brazed to one piece hardened alloy steel bodies. Left spiral polished flutes.

Designed and manufactured for maximum tool life. Left spiral flutes should only be used on through holes for heat treated steels, hard cast iron and other hard materials. Finishes are much better as spiral flutes tend to bridge interruptions such as keyways, slots or intersecting holes.



For reamer tolerances and closer tolerance pricing, see page 60.

TOOL DIAMETER		MORSE TAPER	NO. OF FLUTES	LENGTH			RT. SPIRAL TYPE 3412 EDP NO.	LEFT SPIRAL TYPE 3422 EDP NO.	BOTH TYPES PRICE	DECIMAL SIZE RANGE	PRICE EACH - FINISHED TO DECIMAL SIZE					
DECIMAL	FRAC.			FLT	CARB	OAL					1 PC.	2 PC.	3 PC.	4 PC.	5-7	8-14*
.2500	1/4	1	4	1 1/2	1/2	6	341208	342208	\$69.65	.2381 - .2530	\$112.05	\$90.75	\$83.70	\$80.30	\$76.65	\$73.85
.2812	9/32	1	4	1 1/2	1/2	6	341209	342209	69.65	.2531 - .2840	112.05	90.75	83.70	80.30	76.65	73.85
.3125	5/16	1	4	1 1/2	1/2	6	341210	342210	71.25	.2841 - .3150	113.65	92.30	85.25	81.75	78.20	75.30
.3438	11/32	1	4	1 1/2	5/8	6	341211	342211	72.40	.3151 - .3470	114.80	93.55	86.50	83.05	79.45	76.55
.3750	3/8	1	4	1 3/4	5/8	7	341212	342212	73.45	.3471 - .3780	115.90	94.75	87.55	84.20	80.60	77.70
.4062	13/32	1	4	1 3/4	5/8	7	341213	342213	77.00	.3781 - .4090	119.55	98.25	91.10	87.80	84.05	81.25
.4375	7/16	1	4	1 3/4	5/8	7	341214	342214	80.35	.4091 - .4410	122.80	101.60	94.45	90.95	87.35	84.50
.4688	15/32	1	4	1 3/4	5/8	7	341215	342215	83.55	.4411 - .4720	125.90	104.60	97.55	94.10	90.50	87.70
.5000	1/2	1	6	2	5/8	8	341216	342216	96.25	.4721 - .5030	141.45	118.70	111.15	107.60	103.75	100.70
.5312	17/32	1	6	2	5/8	8	341217	342217	98.75	.5031 - .5340	144.00	121.30	113.80	110.20	106.25	103.20
.5625	9/16	1	6	2	5/8	8	341218	342218	98.75	.5341 - .5660	144.00	121.30	113.80	110.20	106.25	103.20
.5938	19/32	1	6	2	5/8	8	341219	342219	102.70	.5661 - .5970	147.90	125.20	117.70	114.05	110.20	107.15
.6250	5/8	2	6	2 1/4	5/8	9	341220	342220	102.70	.5971 - .6280	147.90	125.20	117.70	114.05	110.20	107.15
.6875	11/16	2	6	2 1/4	5/8	9	341222	342222	112.65	.6591 - .6910	157.90	135.20	127.70	124.05	120.15	117.10
.7500	3/4	2	6	2 1/2	3/4	9 1/2	341224	342224	119.15	.7221 - .7530	164.30	141.70	134.10	130.50	126.60	123.55
.8125	13/16	2	6	2 1/2	3/4	9 1/2	341226	342226	124.15	.7841 - .8160	169.40	146.70	139.05	135.50	131.65	128.50
.8750	7/8	2	6	2 5/8	3/4	10	341228	342228	133.65	.8471 - .8780	180.60	157.00	149.15	145.45	141.45	138.25
.9375	15/16	3	8	2 5/8	3/4	10	341230	342230	155.35	.9091 - .9410	202.35	178.90	170.95	167.15	163.15	160.05
1.0000	1	3	8	2 3/4	3/4	10 1/2	341232	342232	160.80	.9721 - 1.0030	207.70	184.15	176.30	172.60	168.60	165.40

Phone 941-739-2726 • Fax 941-739-2827 • www.lexingtoncutter.com • LEXINGTON CUTTER, INC.

*Quantities of 15 or more: price of fractional size in same size range.

Made in U.S.A.

CARBIDE TIPPED EXPANSION CHUCKING REAMERS

TYPE 3465 - STRAIGHT SHANK - STRAIGHT FLUTE LONG CARBIDE

Flute long carbide tips braze to one piece alloy steel bodies. Straight polished flutes.

Designed and manufactured for maximum tool life. Expansion reamers are recommended for reaming abrasive materials and as the diameter wears down, the reamers can be expanded many times by tightening the end adjusting screw and regrinding to its original size. Expansion reamers should not be considered as adjustable for use in producing holes of several sizes.

TOOL DIAMETER	MINIMUM EXPANSION
5/16" - 15/32"	.006"
1/2" - 31/32"	.010"
1" - 1 1/2"	.013"
1 9/16" - 2 1/2"	.015"

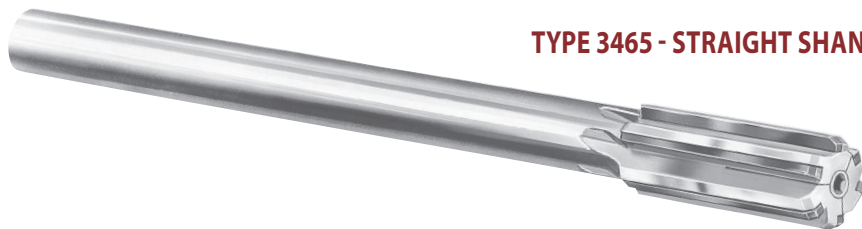


For reamer tolerances and closer tolerance pricing, see page 60.

TOOL DIAMETER		SHANK DIAM.	NO. OF FLUTES	LENGTH		EDP NO.	PRICE EACH	DECIMAL SIZE RANGE	PRICE EACH - FINISHED TO DECIMAL SIZE					
DECIMAL	FRACTIONAL			FLT	OAL				1 PC.	2 PC.	3 PC.	4 PC.	5-7	8-14*
.3125	5/16	9/32	4	1	6	346510	\$87.05	.2841 - .3150	\$132.30	\$109.60	\$101.95	\$98.45	\$94.60	\$91.50
.3438	11/32	9/32	4	1	6	346511	87.05	.3151 - .3470	132.30	109.60	101.95	98.45	94.60	91.50
.3750	3/8	5/16	4	1	7	346512	81.55	.3471 - .3780	124.05	102.75	95.55	92.25	88.60	85.70
.4062	13/32	5/16	4	1	7	346513	86.60	.3781 - .4090	128.95	107.65	100.60	97.20	93.55	90.65
.4375	7/16	3/8	4	1	7	346514	86.60	.4091 - .4410	128.95	107.65	100.60	97.20	93.55	90.65
.4688	15/32	3/8	4	1	7	346515	91.80	.4411 - .4720	134.10	112.85	105.80	102.40	98.75	95.95
.5000	1/2	7/16	6	1	8	346516	91.80	.4721 - .5030	134.10	112.85	105.80	102.40	98.75	95.95
.5312	17/32	7/16	6	1	8	346517	94.00	.5031 - .5340	136.55	115.25	108.10	104.70	101.05	98.25
.5625	9/16	7/16	6	1 1/8	8	346518	94.00	.5341 - .5660	136.55	115.25	108.10	104.70	101.05	98.25
.5938	19/32	7/16	6	1 1/8	8	346519	98.15	.5661 - .5970	140.55	119.40	112.25	108.85	105.20	102.30
.6250	5/8	9/16	6	1 1/4	9	346520	98.15	.5971 - .6280	140.55	119.40	112.25	108.85	105.20	102.30
.6562	21/32	9/16	6	1 1/4	9	346521	107.35	.6281 - .6590	149.75	128.45	121.40	118.05	114.35	111.50
.6875	11/16	9/16	6	1 1/4	9	346522	107.35	.6591 - .6910	149.75	128.45	121.40	118.05	114.35	111.50
.7188	23/32	9/16	6	1 1/4	9	346523	111.30	.6911 - .7220	153.80	132.45	125.30	122.00	118.35	115.55
.7500	3/4	5/8	6	1 3/8	9 1/2	346524	111.30	.7221 - .7530	153.80	132.45	125.30	122.00	118.35	115.55
.7812	25/32	5/8	6	1 3/8	9 1/2	346525	120.00	.7531 - .7840	162.40	141.20	134.00	130.65	127.05	124.20
.8125	13/16	5/8	6	1 3/8	9 1/2	346526	120.00	.7841 - .8160	162.40	141.20	134.00	130.65	127.05	124.20
.8438	27/32	5/8	6	1 3/8	9 1/2	346527	124.75	.8161 - .8470	167.00	145.90	138.75	135.35	131.80	128.90
.8750	7/8	3/4	6	1 1/2	10	346528	129.40	.8471 - .8780	173.35	151.35	143.95	140.45	136.70	133.70
.9062	29/32	3/4	6	1 1/2	10	346529	137.80	.8781 - .9090	181.80	159.70	152.40	148.90	145.05	142.10
.9375	15/16	3/4	8	1 1/2	10	346530	137.80	.9091 - .9410	181.80	159.70	152.40	148.90	145.05	142.10
.9688	31/32	3/4	8	1 1/2	10	346531	143.15	.9411 - .9720	187.05	165.10	157.70	154.20	150.35	147.45
1.0000	1	7/8	8	1 5/8	10 1/2	346532	143.15	.9721 - 1.0030	187.05	165.10	157.70	154.20	150.35	147.45
1.0312	1 1/32	7/8	8	1 5/8	10 1/2	346533	156.85	-	-	-	-	-	-	-
1.0625	1 1/16	7/8	8	1 5/8	10 1/2	346534	156.85	1.0031 - 1.0660	200.85	178.80	171.40	167.90	164.05	161.15
1.0938	1 3/32	7/8	8	1 3/4	11	346535	156.85	-	-	-	-	-	-	-
1.1250	1 1/8	7/8	8	1 3/4	11	346536	156.85	1.0661 - 1.1280	200.85	178.80	171.40	167.90	164.05	161.15
1.1875	1 3/16	1	8	1 3/4	11	346538	171.20	1.1281 - 1.1905	215.20	193.05	185.70	182.25	178.40	175.55
1.2500	1 1/4	1	8	1 7/8	11 1/2	346540	171.20	1.1906 - 1.2530	215.20	193.05	185.70	182.25	178.40	175.55
1.3125	1 5/16	1	8	1 7/8	11 1/2	346542	189.75	1.2531 - 1.3155	233.80	211.75	204.40	200.85	197.10	194.20
1.3750	1 3/8	1	8	2	12	346544	198.70	1.3156 - 1.3780	242.70	220.65	213.25	209.85	205.90	203.00
1.4375	1 7/16	1 1/4	8	2	12	346546	234.85	1.3781 - 1.4405	281.75	258.20	250.35	246.55	242.55	239.35
1.5000	1 1/2	1 1/4	8	2 1/8	12 1/2	346548	241.65	1.4406 - 1.5030	288.65	265.05	257.25	253.55	249.45	246.25
1.5625	1 9/16	1 1/4	8	2 1/8	12 1/2	346550	317.35	1.5031 - 1.5660	364.25	340.80	332.85	329.10	325.05	321.95
1.6250	1 5/8	1 1/4	8	2 1/4	13	346552	317.35	1.5661 - 1.6280	364.25	340.80	332.85	329.10	325.05	321.95
1.6875	1 11/16	1 1/4	8	2 1/4	13	346554	351.50	1.6281 - 1.6910	398.45	374.95	367.05	363.30	359.30	356.00
1.7500	1 3/4	1 1/4	10	2 3/8	13 1/2	346556	351.50	1.6911 - 1.7530	398.45	374.95	367.05	363.30	359.30	356.00
1.8125	1 13/16	1 1/2	10	2 3/8	13 1/2	346558	416.20	1.7531 - 1.8160	463.10	439.65	431.75	428.00	424.00	420.80
1.8750	1 7/8	1 1/2	10	2 1/2	14	346560	416.20	1.8161 - 1.8780	463.10	439.65	431.75	428.00	424.00	420.80
1.9375	1 15/16	1 1/2	10	2 1/2	14	346562	454.70	1.8781 - 1.9410	501.60	478.15	470.30	466.40	462.50	459.30
2.0000	2	1 1/2	12	2 1/2	14	346564	454.70	1.9411 - 2.0030	501.60	478.15	470.30	466.40	462.50	459.30
2.1250	2 1/8	1 1/2	12	2 3/4	14 1/2	346568	738.60	2.0031 - 2.1280	785.55	762.05	754.15	750.45	746.40	743.20
2.2500	2 1/4	1 3/4	12	2 3/4	14 1/2	346572	793.25	2.1281 - 2.2530	840.10	816.65	808.80	805.00	801.00	797.80
2.3750	2 3/8	1 3/4	12	3	15	346576	820.85	2.2531 - 2.3780	867.85	844.30	836.45	832.65	828.65	825.50
2.5000	2 1/2	1 3/4	12	3	15	346580	820.85	2.3781 - 2.5030	867.85	844.30	836.45	832.65	828.65	825.50

LEXINGTON CUTTER, INC. • sales@lexingtoncutter.com • Phone 800-882-2627 • Fax 800-882-3637

CARBIDE TIPPED EXPANSION CHUCKING REAMERS METRIC



TYPE 3465 - STRAIGHT SHANK - STRAIGHT FLUTE LONG CARBIDE

Detailed description and fractional sizes on page 86. Tolerances on page 60. Tool diameter in millimeters with all other dimensions in inches.

TOOL DIAMETER		SHANK DIAM.	NO. OF FLTS.	LENGTH		EDP NO.	PRICE EACH	METRIC SIZE RANGE	PRICE EACH - FINISHED TO METRIC SIZE						
mm	INCH			FLUTE	OVERALL				1 PC.	2 PC.	3 PC.	4 PC.	5-7	8-14	15+
7.5	.2953	3/32	4	1	6	3465075	\$101.95	7.215 - 8.001	\$136.10	\$113.45	\$105.90	\$102.25	\$98.45	\$95.25	90.90
8.0	.3150	3/32	4	1	6	3465080	101.95	-	-	-	-	-	-	-	-
8.5	.3346	3/32	4	1	6	3465085	101.95	8.002 - 8.814	136.10	113.45	105.90	102.25	98.45	95.25	90.90
9.0	.3543	5/16	4	1	7	3465090	95.55	8.815 - 9.601	127.60	106.35	99.30	95.85	92.25	89.35	85.25
9.5	.3740	5/16	4	1	7	3465095	95.55	-	-	-	-	-	-	-	-
10.0	.3937	5/16	4	1	7	3465100	100.60	9.602 - 10.389	132.45	111.30	104.25	100.75	97.20	94.15	90.25
10.5	.4134	3/8	4	1	7	3465105	100.60	10.390 - 11.201	132.45	111.30	104.25	100.75	97.20	94.15	90.25
11.0	.4331	3/8	4	1	7	3465110	100.60	-	-	-	-	-	-	-	-
11.5	.4528	3/8	4	1	7	3465115	105.80	11.202 - 11.989	137.65	116.55	109.35	105.95	102.40	99.45	95.35
12.0	.4724	7/16	6	1	8	3465120	105.80	11.990 - 12.776	137.65	116.55	109.35	105.95	102.40	99.45	95.35
12.5	.4921	7/16	6	1	8	3465125	105.80	-	-	-	-	-	-	-	-
13.0	.5118	7/16	6	1	8	3465130	108.10	12.777 - 13.564	140.10	118.85	111.75	108.35	104.70	101.80	97.70
13.5	.5315	7/16	6	1	8	3465135	108.10	-	-	-	-	-	-	-	-
14.0	.5512	7/16	6	1 1/8	8	3465140	108.10	13.565 - 14.376	140.10	118.85	111.75	108.35	104.70	101.80	97.70
14.5	.5709	7/16	6	1 1/8	8	3465145	112.25	14.377 - 15.164	144.10	122.95	115.85	112.40	108.85	105.90	101.80
15.0	.5906	7/16	6	1 1/8	8	3465150	112.25	-	-	-	-	-	-	-	-
15.5	.6102	9/16	6	1 1/4	9	3465155	112.25	15.165 - 15.951	144.10	122.95	115.85	112.40	108.85	105.90	101.80
16.0	.6299	9/16	6	1 1/4	9	3465160	121.40	15.952 - 16.739	153.20	132.15	125.05	121.55	118.05	115.10	111.00
16.5	.6496	9/16	6	1 1/4	9	3465165	121.40	-	-	-	-	-	-	-	-
17.0	.6693	9/16	6	1 1/4	9	3465170	121.40	16.740 - 17.551	153.20	132.15	125.05	121.55	118.05	115.10	111.00
17.5	.6890	9/16	6	1 1/4	9	3465175	121.40	-	-	-	-	-	-	-	-
18.0	.7087	9/16	6	1 1/4	9	3465180	125.30	17.552 - 18.339	157.30	136.10	129.05	125.55	122.00	119.10	115.00
18.5	.7283	5/8	6	1 3/8	9 1/2	3465185	125.30	18.340 - 19.126	157.30	136.10	129.05	125.55	122.00	119.10	115.00
19.0	.7480	5/8	6	1 3/8	9 1/2	3465190	125.30	-	-	-	-	-	-	-	-
19.5	.7677	5/8	6	1 3/8	9 1/2	3465195	134.00	19.127 - 19.914	166.05	144.85	137.65	134.15	130.65	127.75	123.60
20.0	.7874	5/8	6	1 3/8	9 1/2	3465200	134.00	19.915 - 20.726	166.05	144.85	137.65	134.15	130.65	127.75	123.60
20.5	.8071	5/8	6	1 3/8	9 1/2	3465205	134.00	-	-	-	-	-	-	-	-
21.0	.8268	5/8	6	1 3/8	9 1/2	3465210	138.75	20.727 - 21.514	170.65	149.50	142.30	138.90	135.35	132.35	128.30
21.5	.8465	5/8	6	1 3/8	9 1/2	3465215	138.75	-	-	-	-	-	-	-	-
22.0	.8661	3/4	6	1 1/2	10	3465220	138.75	21.515 - 22.301	170.65	149.50	142.30	138.90	135.35	132.35	128.30
22.5	.8858	3/4	6	1 1/2	10	3465225	152.40	22.302 - 23.089	185.45	163.55	156.10	152.55	148.90	145.80	141.55
23.0	.9055	3/4	6	1 1/2	10	3465230	152.40	-	-	-	-	-	-	-	-
23.5	.9252	3/4	8	1 1/2	10	3465235	152.40	23.090 - 23.901	185.45	163.55	156.10	152.55	148.90	145.80	141.55
24.0	.9449	3/4	8	1 1/2	10	3465240	157.70	23.902 - 24.689	190.75	168.80	161.45	157.80	154.20	151.05	146.85
24.5	.9646	3/4	8	1 1/2	10	3465245	157.70	-	-	-	-	-	-	-	-
25.0	.9843	7/8	8	1 5/8	10 1/2	3465250	157.70	24.690 - 25.476	190.75	168.80	161.45	157.80	154.20	151.05	146.85
25.5	1.0039	7/8	8	1 5/8	10 1/2	3465255	171.40	25.477 - 27.076	204.55	182.55	175.10	171.55	167.90	164.85	160.55
26.0	1.0236	7/8	8	1 5/8	10 1/2	3465260	171.40	-	-	-	-	-	-	-	-
27.0	1.0630	7/8	8	1 5/8	10 1/2	3465270	171.40	-	-	-	-	-	-	-	-
28.0	1.1024	7/8	8	1 3/4	11	3465280	171.40	27.077 - 28.651	204.55	182.55	175.10	171.55	167.90	164.85	160.55
29.0	1.1417	1	8	1 3/4	11	3465290	185.70	28.652 - 30.239	218.80	196.85	189.50	185.85	182.25	179.20	174.90
30.0	1.1811	1	8	1 3/4	11	3465300	185.70	-	-	-	-	-	-	-	-
31.0	1.2205	1	8	1 7/8	11 1/2	3465310	185.70	30.240 - 31.826	218.80	196.85	189.50	185.85	182.25	179.20	174.90
32.0	1.2598	1	8	1 7/8	11 1/2	3465320	204.40	31.827 - 33.414	237.45	215.50	208.20	204.55	200.85	197.80	193.60
33.0	1.2992	1	8	1 7/8	11 1/2	3465330	204.40	-	-	-	-	-	-	-	-
34.0	1.3386	1	8	2	12	3465340	213.25	33.415 - 35.001	246.35	224.45	217.05	213.45	209.85	206.70	202.40
35.0	1.3780	1	8	2	12	3465350	213.25	-	-	-	-	-	-	-	-
36.0	1.4173	1 1/4	8	2	12	3465360	250.35	35.002 - 36.589	285.60	262.20	254.35	250.50	246.55	243.30	238.85
37.0	1.4567	1 1/4	8	2 1/8	12 1/2	3465370	257.25	36.590 - 38.176	292.55	269.10	261.35	257.40	253.55	250.30	245.75
38.0	1.4961	1 1/4	8	2 1/8	12 1/2	3465380	257.25	-	-	-	-	-	-	-	-
39.0	1.5354	1 1/4	8	2 1/8	12 1/2	3465390	332.85	38.177 - 39.776	368.20	344.75	336.85	333.10	329.10	325.80	321.35
40.0	1.5748	1 1/4	8	2 1/4	13	3465400	332.85	39.777 - 41.351	368.20	344.75	336.85	333.10	329.10	325.80	321.35
41.0	1.6142	1 1/4	8	2 1/4	13	3465410	332.85	-	-	-	-	-	-	-	-
42.0	1.6535	1 1/4	8	2 1/4	13	3465420	367.05	41.352 - 42.951	402.30	378.95	371.05	367.30	363.30	360.00	355.50
43.0	1.6929	1 1/4	10	2 3/8	13 1/2	3465430	367.05	42.952 - 44.526	402.30	378.95	371.05	367.30	363.30	360.00	355.50
44.0	1.7323	1 1/4	10	2 3/8	13 1/2	3465440	367.05	-	-	-	-	-	-	-	-

Phone 941-739-2726 • Fax 941-739-2827 • www.lexingtoncutter.com • LEXINGTON CUTTER, INC.

Diameters up to 63mm - call us for price & availability.

Made in U.S.A.

CARBIDE TIPPED EXPANSION CHUCKING REAMERS

TYPE 3467 - TAPER SHANK - STRAIGHT FLUTE LONG CARBIDE

Flute long carbide tips brazed to one piece alloy steel bodies. Straight polished flutes.

Designed and manufactured for maximum tool life. Expansion reamers are recommended for reaming abrasive materials and as the diameter wears down, the reamers can be expanded many times by tightening the end adjusting screw and regrinding to its original size. Expansion reamers should not be considered as adjustable for use in producing holes of several sizes.

TOOL DIAMETER	MINIMUM EXPANSION
5/16" - 15/32"	.006"
1/2" - 31/32"	.010"
1" - 1 1/2"	.013"
1 9/16" - 2 1/2"	.015"



For reamer tolerances and closer tolerance pricing, see page 60.

TOOL DIAMETER		MORSE TAPER	NO. OF FLUTES	LENGTH		EDP NO.	PRICE EACH	DECIMAL SIZE RANGE	PRICE EACH - FINISHED TO DECIMAL SIZE					
DECIMAL	FRAC.			FLT	OAL				1 PC.	2 PC.	3 PC.	4 PC.	5-7	8-14*
.3125	5/16	1	4	1	6	346710	\$98.00	.2841 - .3150	\$143.30	\$120.60	\$113.10	\$109.35	\$105.60	\$102.45
.3438	11/32	1	4	1	6	346711	98.00	.3151 - .3470	143.30	120.60	113.10	109.35	105.60	102.45
.3750	3/8	1	4	1	7	346712	91.95	.3471 - .3780	134.30	113.10	105.95	102.60	99.00	96.10
.4062	13/32	1	4	1	7	346713	94.75	.3781 - .4090	137.10	115.85	108.80	105.45	101.75	98.85
.4375	7/16	1	4	1	7	346714	94.75	.4091 - .4410	137.10	115.85	108.80	105.45	101.75	98.85
.4688	15/32	1	4	1	7	346715	99.35	.4411 - .4720	141.80	120.60	113.40	110.05	106.35	103.50
.5000	1/2	1	6	1	8	346716	99.35	.4721 - .5030	141.80	120.60	113.40	110.05	106.35	103.50
.5312	17/32	1	6	1	8	346717	102.40	.5031 - .5340	144.85	123.55	116.50	113.10	109.35	106.50
.5625	9/16	1	6	1 1/8	8	346718	102.40	.5341 - .5660	144.85	123.55	116.50	113.10	109.35	106.50
.5938	19/32	1	6	1 1/8	8	346719	106.50	.5661 - .5970	149.00	127.75	120.65	117.25	113.65	110.70
.6250	5/8	2	6	1 1/4	9	346720	106.50	.5971 - .6280	149.00	127.75	120.65	117.25	113.65	110.70
.6562	21/32	2	6	1 1/4	9	346721	119.90	.6281 - .6590	162.35	141.00	133.95	130.60	126.90	124.15
.6875	11/16	2	6	1 1/4	9	346722	119.90	.6591 - .6910	162.35	141.00	133.95	130.60	126.90	124.15
.7188	23/32	2	6	1 1/4	9	346723	120.20	.6911 - .7220	162.65	141.50	134.30	130.95	127.25	124.45
.7500	3/4	2	6	1 3/8	9 1/2	346724	120.20	.7221 - .7530	162.65	141.50	134.30	130.95	127.25	124.45
.7812	25/32	2	6	1 3/8	9 1/2	346725	129.10	.7531 - .7840	171.55	150.25	143.20	139.85	136.10	133.35
.8125	13/16	2	6	1 3/8	9 1/2	346726	129.10	.7841 - .8160	171.55	150.25	143.20	139.85	136.10	133.35
.8438	27/32	2	6	1 3/8	9 1/2	346727	134.50	.8161 - .8470	176.95	155.65	148.55	145.15	141.55	138.70
.8750	7/8	2	6	1 1/2	10	346728	139.65	.8471 - .8780	183.55	161.60	154.20	150.70	146.85	143.85
.9062	29/32	2	6	1 1/2	10	346729	147.65	.8781 - .9090	191.65	169.60	162.20	158.70	154.95	151.95
.9375	15/16	3	8	1 1/2	10	346730	147.65	.9091 - .9410	191.65	169.60	162.20	158.70	154.95	151.95
.9688	31/32	3	8	1 1/2	10	346731	153.00	.9411 - .9720	196.95	174.90	167.55	164.00	160.25	157.25
1.0000	1	3	8	1 5/8	10 1/2	346732	153.00	.9721 - 1.0030	196.95	174.90	167.55	164.00	160.25	157.25
1.0312	1 1/32	3	8	1 5/8	10 1/2	346733	167.40	-	-	-	-	-	-	-
1.0625	1 1/16	3	8	1 5/8	10 1/2	346734	167.40	1.0031 - 1.0660	211.55	189.45	182.00	178.55	174.75	171.70
1.0938	1 3/32	3	8	1 3/4	11	346735	167.40	-	-	-	-	-	-	-
1.1250	1 1/8	3	8	1 3/4	11	346736	167.40	1.0661 - 1.1280	211.55	189.45	182.00	178.55	174.75	171.70
1.1875	1 3/16	3	8	1 3/4	11	346738	188.30	1.1281 - 1.1905	232.25	210.20	202.85	199.40	195.60	192.60
1.2500	1 1/4	4	8	1 7/8	11 1/2	346740	190.85	1.1906 - 1.2530	234.85	212.80	205.45	201.95	198.10	195.15
1.3125	1 5/16	4	8	1 7/8	11 1/2	346742	208.60	1.2531 - 1.3155	252.60	230.55	223.10	219.65	215.90	212.90
1.3750	1 3/8	4	8	2	12	346744	228.55	1.3156 - 1.3780	272.45	250.40	243.10	239.50	235.75	232.75
1.4375	1 7/16	4	8	2	12	346746	256.50	1.3781 - 1.4405	303.40	279.95	272.00	268.25	264.25	261.10
1.5000	1 1/2	4	8	2 1/8	12 1/2	346748	265.55	1.4406 - 1.5030	312.60	288.95	281.05	277.45	273.35	270.15
1.5625	1 9/16	4	8	2 1/8	12 1/2	346750	364.90	1.5031 - 1.5660	411.90	388.35	380.50	376.80	372.70	369.50
1.6250	1 5/8	4	8	2 1/4	13	346752	364.90	1.5661 - 1.6280	411.90	388.35	380.50	376.80	372.70	369.50
1.6875	1 11/16	4	8	2 1/4	13	346754	404.15	1.6281 - 1.6910	451.15	427.60	419.75	415.95	411.95	408.75
1.7500	1 3/4	4	10	2 3/8	13 1/2	346756	404.15	1.6911 - 1.7530	451.15	427.60	419.75	415.95	411.95	408.75
1.8125	1 13/16	4	10	2 3/8	13 1/2	346758	478.50	1.7531 - 1.8160	525.50	502.05	494.15	490.40	486.30	483.20
1.8750	1 7/8	4	10	2 1/2	14	346760	478.50	1.8161 - 1.8780	525.50	502.05	494.15	490.40	486.30	483.20
1.9375	1 15/16	4	10	2 1/2	14	346762	522.95	1.8781 - 1.9410	569.85	546.35	538.45	534.75	530.70	527.65
2.0000	2	4	12	2 1/2	14	346764	522.95	1.9411 - 2.0030	569.85	546.35	538.45	534.75	530.70	527.65
2.1250	2 1/8	5	12	2 3/4	14 1/2	346768	782.95	2.0031 - 2.1280	829.95	806.40	798.45	794.75	790.80	787.55
2.2500	2 1/4	5	12	2 3/4	14 1/2	346772	840.85	2.1281 - 2.2530	887.80	864.20	856.40	852.65	848.65	845.50
2.3750	2 3/8	5	12	3	15	346776	870.05	2.2531 - 2.3780	916.95	893.50	885.60	881.95	877.85	874.75
2.5000	2 1/2	5	12	3	15	346780	870.05	2.3781 - 2.5030	916.95	893.50	885.60	881.95	877.85	874.75

CARBIDE TIPPED EXPANSION CHUCKING REAMERS

METRIC

TYPE 3467 - TAPER SHANK - STRAIGHT FLUTE LONG CARBIDE



Detailed description and fractional sizes on page 88. Tolerances on page 60. Tool diameter in millimeters with all other dimensions in inches.

TOOL DIAMETER		MORSE TAPER	NO. OF FLTS.	LENGTH		EDP NO.	PRICE EACH	METRIC SIZE RANGE	PRICE EACH - FINISHED TO METRIC SIZE						
mm	INCH			FLUTE	OVERALL				1 PC.	2 PC.	3 PC.	4 PC.	5-7	8-14	15+
7.5	.2953	1	4	1	6	3467075	\$113.10	7.215 - 8.001	\$147.05	\$124.50	\$116.95	\$113.25	\$109.35	\$106.25	\$101.90
8.0	.3150	1	4	1	6	3467080	113.10	-	-	-	-	-	-	-	-
8.5	.3346	1	4	1	6	3467085	113.10	8.002 - 8.814	147.05	124.50	116.95	113.25	109.35	106.25	101.90
9.0	.3543	1	4	1	7	3467090	105.95	8.815 - 9.601	137.85	116.70	109.60	106.10	102.60	99.60	95.50
9.5	.3740	1	4	1	7	3467095	105.95	-	-	-	-	-	-	-	-
10.0	.3937	1	4	1	7	3467100	108.80	9.602 - 10.389	140.60	119.55	112.40	108.95	105.45	102.40	98.30
10.5	.4134	1	4	1	7	3467105	108.80	10.390 - 11.201	140.60	119.55	112.40	108.95	105.45	102.40	98.30
11.0	.4331	1	4	1	7	3467110	108.80	-	-	-	-	-	-	-	-
11.5	.4528	1	4	1	7	3467115	113.40	11.202 - 11.989	145.35	124.20	117.10	113.65	110.05	107.15	103.00
12.0	.4724	1	6	1	8	3467120	113.40	11.990 - 12.776	145.35	124.20	117.10	113.65	110.05	107.15	103.00
12.5	.4921	1	6	1	8	3467125	113.40	-	-	-	-	-	-	-	-
13.0	.5118	1	6	1	8	3467130	116.50	12.777 - 13.564	148.40	127.20	120.05	116.65	113.10	110.20	106.05
13.5	.5315	1	6	1	8	3467135	116.50	-	-	-	-	-	-	-	-
14.0	.5512	1	6	1 1/8	8	3467140	116.50	13.565 - 14.376	148.40	127.20	120.05	116.65	113.10	110.20	106.05
14.5	.5709	1	6	1 1/8	8	3467145	120.65	14.377 - 15.164	152.55	131.35	124.30	120.85	117.25	114.25	110.25
15.0	.5906	1	6	1 1/8	8	3467150	120.65	-	-	-	-	-	-	-	-
15.5	.6102	2	6	1 1/4	9	3467155	120.65	15.165 - 15.951	152.55	131.35	124.30	120.85	117.25	114.25	110.25
16.0	.6299	2	6	1 1/4	9	3467160	133.95	15.952 - 16.739	165.90	144.70	137.55	134.10	130.60	127.70	123.55
16.5	.6496	2	6	1 1/4	9	3467165	133.95	-	-	-	-	-	-	-	-
17.0	.6693	2	6	1 1/4	9	3467170	133.95	16.740 - 17.551	165.90	144.70	137.55	134.10	130.60	127.70	123.55
17.5	.6890	2	6	1 1/4	9	3467175	133.95	-	-	-	-	-	-	-	-
18.0	.7087	2	6	1 1/4	9	3467180	134.30	17.552 - 18.339	166.30	145.05	138.00	134.50	130.95	128.00	123.90
18.5	.7283	2	6	1 3/8	9 1/2	3467185	134.30	18.340 - 19.126	166.30	145.05	138.00	134.50	130.95	128.00	123.90
19.0	.7480	2	6	1 3/8	9 1/2	3467190	134.30	-	-	-	-	-	-	-	-
19.5	.7677	2	6	1 3/8	9 1/2	3467195	143.20	19.127 - 19.914	175.05	153.95	146.85	143.35	139.85	136.80	132.75
20.0	.7874	2	6	1 3/8	9 1/2	3467200	143.20	19.915 - 20.726	175.05	153.95	146.85	143.35	139.85	136.80	132.75
20.5	.8071	2	6	1 3/8	9 1/2	3467205	143.20	-	-	-	-	-	-	-	-
21.0	.8268	2	6	1 3/8	9 1/2	3467210	148.55	20.727 - 21.514	180.45	159.30	152.25	148.70	145.15	142.15	138.15
21.5	.8465	2	6	1 3/8	9 1/2	3467215	148.55	-	-	-	-	-	-	-	-
22.0	.8661	2	6	1 1/2	10	3467220	148.55	21.515 - 22.301	180.45	159.30	152.25	148.70	145.15	142.15	138.15
22.5	.8858	2	6	1 1/2	10	3467225	162.20	22.302 - 23.089	195.35	173.35	166.05	162.35	158.70	155.65	151.45
23.0	.9055	2	6	1 1/2	10	3467230	162.20	-	-	-	-	-	-	-	-
23.5	.9252	3	8	1 1/2	10	3467235	162.20	23.090 - 23.901	195.35	173.35	166.05	162.35	158.70	155.65	151.45
24.0	.9449	3	8	1 1/2	10	3467240	167.55	23.902 - 24.689	200.70	178.75	171.35	167.75	164.00	160.95	156.80
24.5	.9646	3	8	1 1/2	10	3467245	167.55	-	-	-	-	-	-	-	-
25.0	.9843	3	8	1 5/8	10 1/2	3467250	167.55	24.690 - 25.476	200.70	178.75	171.35	167.75	164.00	160.95	156.80
25.5	1.0039	3	8	1 5/8	10 1/2	3467255	182.00	25.477 - 27.076	215.20	193.15	185.80	182.25	178.55	175.55	171.25
26.0	1.0236	3	8	1 5/8	10 1/2	3467260	182.00	-	-	-	-	-	-	-	-
27.0	1.0630	3	8	1 5/8	10 1/2	3467270	182.00	-	-	-	-	-	-	-	-
28.0	1.1024	3	8	1 3/4	11	3467280	182.00	27.077 - 28.651	215.20	193.15	185.80	182.25	178.55	175.55	171.25
29.0	1.1417	3	8	1 3/4	11	3467290	202.85	28.652 - 30.239	235.90	214.00	206.65	203.00	199.40	196.25	192.05
30.0	1.1811	3	8	1 3/4	11	3467300	202.85	-	-	-	-	-	-	-	-
31.0	1.2205	4	8	1 7/8	11 1/2	3467310	205.45	30.240 - 31.826	238.55	216.60	209.15	205.60	201.95	198.85	194.65
32.0	1.2598	4	8	1 7/8	11 1/2	3467320	223.10	31.827 - 33.414	256.20	234.25	227.00	223.35	219.65	216.60	212.35
33.0	1.2992	4	8	1 7/8	11 1/2	3467330	223.10	-	-	-	-	-	-	-	-
34.0	1.3386	4	8	2	12	3467340	243.10	33.415 - 35.001	276.10	254.20	246.80	243.25	239.50	236.50	232.25
35.0	1.3780	4	8	2	12	3467350	243.10	-	-	-	-	-	-	-	-
36.0	1.4173	4	8	2	12	3467360	272.00	35.002 - 36.589	307.35	283.90	276.00	272.25	268.25	264.95	260.50
37.0	1.4567	4	8	2 1/8	12 1/2	3467370	281.05	36.590 - 38.176	316.45	293.00	285.20	281.35	277.45	274.15	269.65
38.0	1.4961	4	8	2 1/8	12 1/2	3467380	281.05	-	-	-	-	-	-	-	-
39.0	1.5354	4	8	2 1/8	12 1/2	3467390	380.50	38.177 - 39.776	415.80	392.45	384.60	380.65	376.80	373.50	369.00
40.0	1.5748	4	8	2 1/4	13	3467400	380.50	39.777 - 41.351	415.80	392.45	384.60	380.65	376.80	373.50	369.00
41.0	1.6142	4	8	2 1/4	13	3467410	380.50	-	-	-	-	-	-	-	-
42.0	1.6535	4	8	2 1/4	13	3467420	419.75	41.352 - 42.951	455.05	431.70	423.85	419.95	415.95	412.75	408.15
43.0	1.6929	4	10	2 3/8	13 1/2	3467430	419.75	42.952 - 44.526	455.05	431.70	423.85	419.95	415.95	412.75	408.15
44.0	1.7323	4	10	2 3/8	13 1/2	3467440	419.75	-	-	-	-	-	-	-	-

Phone 941-739-2726 • Fax 941-739-2827 • www.lexingtoncutter.com • LEXINGTON CUTTER, INC.

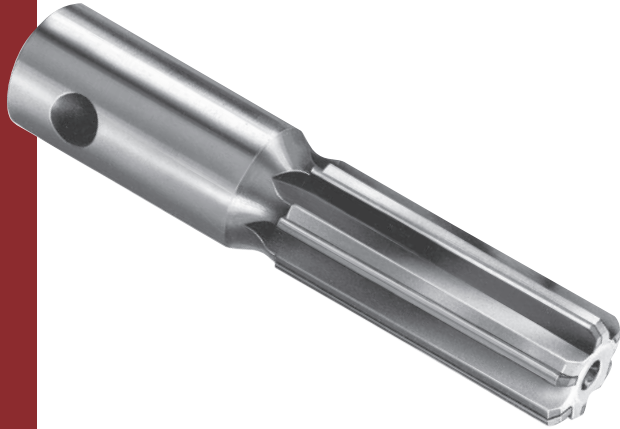
Diameters up to 63mm - call us for price & availability.

Made in U.S.A.

CARBIDE TIPPED CNC STUB/SCREW MACHINE REAMERS

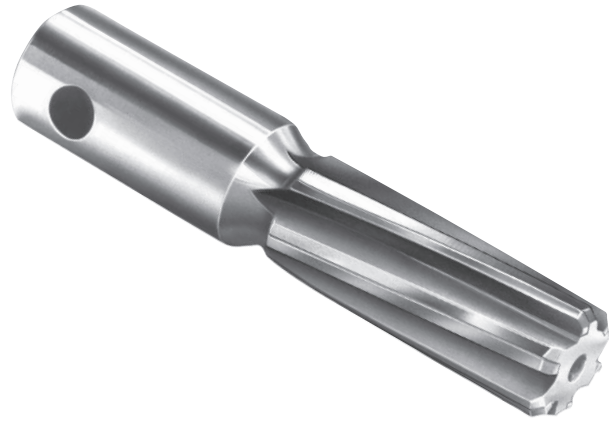
TYPE 3430 - STRAIGHT FLUTE LONG CARBIDE

Flute long carbide tips brazed to one piece hardened alloy steel bodies. Polished flutes permit high volume chip load.



TYPE 3440 - LEFT SPIRAL FLUTE LONG CARBIDE

Flute long carbide tips brazed to one piece hardened alloy steel bodies. Left spiral flutes tend to bridge interruptions. Used in through holes only.



BOTH TYPES:
Pin cross hole permits use in floating holders.
For reamer tolerances and closer tolerance pricing, see page 60

TOOL DIAMETER		SHANK DIAM.	PIN HOLE DIAM.	NO. OF FLUTES	LENGTH		STRAIGHT TYPE 3430 EDP NO.	LEFT SPIRAL TYPE 3440 EDP NO.	BOTH TYPES PRICE	DECIMAL SIZE RANGE	PRICE EACH - FINISHED TO DECIMAL SIZE					
DECIMAL	FRACTION				FLT	OAL					1 PC.	2 PC.	3 PC.	4 PC.	5-7	8-14**
.1875	3/16	1/4	3/32	4	1*	2 1/4	343006	344006	\$61.60	.1770 - .2040	\$106.70	\$84.05	\$76.50	\$72.95	\$69.00	\$65.95
.2188	7/32	1/4	3/32	4	1*	2 1/4	343007	344007	61.60	.2041 - .2210	106.70	84.05	76.50	72.95	69.00	65.95
.2344	19/64	1/4	3/32	4	1*	2 1/4	34302344	34402344	61.60	.2211 - .2380	106.70	84.05	76.50	72.95	69.00	65.95
.2500	1/4	1/4	3/32	4	1*	2 1/4	343008	344008	61.60	.2381 - .2530	106.70	84.05	76.50	72.95	69.00	65.95
.2812	9/32	3/8	1/8	4	1*	2 1/4	343009	344009	61.60	.2531 - .2840	106.70	84.05	76.50	72.95	69.00	65.95
.3125	5/16	3/8	1/8	4	1	2 1/4	343010	344010	71.55	.2841 - .3150	116.70	94.00	86.50	82.90	78.95	76.00
.3438	11/32	3/8	1/8	4	1 1/4	2 1/2	343011	344011	72.10	.3151 - .3470	117.30	94.75	87.10	83.55	79.60	76.55
.3750	3/8	3/8	1/8	4	1 1/4	2 1/2	343012	344012	78.30	.3471 - .3780	123.45	100.85	93.25	89.65	85.70	82.65
.4062	13/32	1/2	3/16	4	1 1/4	2 1/2	343013	344013	79.40	.3781 - .4090	124.65	101.90	94.40	90.75	86.90	83.85
.4375	7/16	1/2	3/16	4	1 1/4	2 1/2	343014	344014	93.95	.4091 - .4410	139.20	116.55	108.95	105.45	101.50	98.45
.4688	15/32	1/2	3/16	4	1 1/4	2 1/2	343015	344015	93.95	.4411 - .4720	139.20	116.55	108.95	105.45	101.50	98.45
.5000	1/2	1/2	3/16	4	1 1/4	2 1/2	343016	344016	102.85	.4721 - .5030	149.30	126.05	118.25	114.55	110.55	107.45
.5312	17/32	5/8	1/4	6	1 1/2	3	343017	344017	102.85	.5031 - .5340	149.30	126.05	118.25	114.55	110.55	107.45
.5625	9/16	5/8	1/4	6	1 1/2	3	343018	344018	108.40	.5341 - .5660	154.70	131.55	123.70	120.05	115.95	112.85
.5938	19/32	5/8	1/4	6	1 1/2	3	343019	344019	108.40	.5661 - .5970	154.70	131.55	123.70	120.05	115.95	112.85
.6250	5/8	5/8	1/4	6	1 1/2	3	343020	344020	111.30	.5971 - .6280	157.75	134.45	126.65	122.95	118.95	115.85
.6562	21/32	5/8	1/4	6	1 1/2	3	343021	344021	111.30	.6281 - .6590	157.75	134.45	126.65	122.95	118.95	115.85
.6875	11/16	5/8	1/4	6	1 1/2	3	343022	344022	116.50	.6591 - .6910	162.80	139.55	131.85	128.05	124.15	121.00
.7188	23/32	3/4	5/16	6	1 1/2	3	343023	344023	116.50	.6911 - .7220	162.80	139.55	131.85	128.05	124.15	121.00
.7500	3/4	3/4	5/16	6	1 1/2	3	343024	344024	119.45	.7221 - .7530	165.75	142.60	134.75	131.05	127.10	124.00
.7812	25/32	3/4	5/16	6	1 1/2	3	343025	344025	119.45	.7531 - .7840	165.75	142.60	134.75	131.05	127.10	124.00
.8125	13/16	3/4	5/16	6	1 1/2	3	343026	344026	129.70	.7841 - .8160	176.15	152.95	145.05	141.45	137.40	134.30
.8438	27/32	3/4	5/16	6	1 1/2	3	343027	344027	129.70	.8161 - .8470	176.15	152.95	145.05	141.45	137.40	134.30
.8750	7/8	3/4	5/16	6	1 1/2	3	343028	344028	141.70	.8471 - .8780	189.95	165.70	157.70	153.80	149.75	146.45
.9062	29/32	3/4	5/16	6	1 1/2	3	343029	344029	141.70	.8781 - .9090	189.95	165.70	157.70	153.80	149.75	146.45
.9375	19/16	3/4	5/16	6	1 1/2	3	343030	344030	156.10	.9091 - .9410	204.25	180.15	172.05	168.20	164.05	160.85
.9688	31/32	3/4	5/16	8	1 1/2	3	343031	344031	156.10	.9411 - .9720	204.25	180.15	172.05	168.20	164.05	160.85
1.0000	1	3/4	5/16	8	1 1/2	3	343032	344032	163.75	.9721 - 1.0030	212.00	187.85	179.80	175.95	171.70	168.50
1.0625	1 1/16	3/4	5/16	8	1 1/2	3	343034	344034	163.75	1.0031 - 1.0660	212.00	187.85	179.80	175.95	171.70	168.50
1.1250	1 1/8	3/4	5/16	8	1 1/2	3	343036	344036	191.75	1.0661 - 1.1280	239.90	215.70	207.60	203.85	199.65	196.40
1.1875	1 3/16	3/4	5/16	8	1 1/2	3	343038	344038	199.80	1.1281 - 1.1905	248.05	223.95	215.75	212.00	207.85	204.55
1.2500	1 1/4	3/4	5/16	8	1 1/2	3	343040	344040	234.10	1.1906 - 1.2530	282.35	258.20	250.20	246.25	242.20	238.90
1.3125	1 5/16	3/4	5/16	8	1 1/2	3	343042	344042	234.10	1.2531 - 1.3155	282.35	258.20	250.20	246.25	242.20	238.90
1.3750	1 3/8	3/4	5/16	8	1 1/2	3	343044	344044	237.50	1.3156 - 1.3780	285.65	261.55	253.55	249.60	245.60	242.35
1.4375	1 7/16	3/4	5/16	8	1 1/2	3	343046	344046	276.85	1.3781 - 1.4405	325.05	300.90	292.85	288.95	284.85	281.65
1.5000	1 1/2	3/4	5/16	8	1 1/2	3	343048	344048	332.50	1.4406 - 1.5030	380.65	356.60	348.50	344.65	340.45	337.15

LEXINGTON CUTTER, INC. • sales@lexingtoncutter.com • Phone 800-882-2627 • Fax 800-882-3637

CARBIDE TIPPED CNC STUB/SCREW MACHINE REAMERS

METRIC



TYPE 3430 - STRAIGHT FLUTE LONG CARBIDE
TYPE 3440 - LEFT SPIRAL FLUTE LONG CARBIDE

Detailed description and fractional sizes on page 90. Tool diameter in millimeters with all other dimensions in inches.

For reamer tolerances and closer tolerance pricing, see page 60.

TOOL DIAMETER		SHANK DIAM.	PIN HOLE DIAM.	NO. OF FLUTES	LENGTH		STRAIGHT TYPE 3430 EDP NO.	LEFT SPIRAL TYPE 3440 EDP NO.	BOTH TYPES PRICE	METRIC SIZE RANGE	PRICE EACH - FINISHED TO METRIC SIZE						
mm	INCH				FLT	OAL					1 PC.	2 PC.	3 PC.	4 PC.	5-7	8-14	15+
4.5	.1772	1/4	3/32	4	1*	2 1/4	3430045	3440045	\$76.50	4.494 - 5.182	\$110.50	\$87.95	\$80.35	\$76.65	\$72.95	\$69.75	\$65.45
5.0	.1969	1/4	3/32	4	1*	2 1/4	3430050	3440050	76.50	-	-	-	-	-	-	-	-
5.5	.2165	1/4	3/32	4	1*	2 1/4	3430055	3440055	76.50	5.183 - 5.613	110.50	87.95	80.35	76.65	72.95	69.75	65.45
6.0	.2362	1/4	3/32	4	1*	2 1/4	3430060	3440060	76.50	5.614 - 6.045	110.50	87.95	80.35	76.65	72.95	69.75	65.45
-	-	1/4	3/32	4	1*	2 1/4	3430063	3440063	-	6.046 - 6.426	110.50	87.95	80.35	76.65	72.95	69.75	65.45
6.5	.2559	3/8	1/8	4	1*	2 1/4	3430065	3440065	76.50	6.427 - 7.214	110.50	87.95	80.35	76.65	72.95	69.75	65.45
7.0	.2756	3/8	1/8	4	1*	2 1/4	3430070	3440070	76.50	-	-	-	-	-	-	-	-
7.5	.2953	3/8	1/8	4	1	2 1/4	3430075	3440075	86.50	7.215 - 8.001	120.50	97.95	90.40	86.65	82.90	79.70	75.40
8.0	.3150	3/8	1/8	4	1	2 1/4	3430080	3440080	86.50	-	-	-	-	-	-	-	-
8.5	.3346	3/8	1/8	4	1 1/4	2 1/2	3430085	3440085	87.10	8.002 - 8.814	121.15	98.60	90.95	87.25	83.55	80.35	76.05
9.0	.3543	3/8	1/8	4	1 1/4	2 1/2	3430090	3440090	93.25	8.815 - 9.601	127.25	104.70	97.15	93.40	89.65	86.50	82.20
9.5	.3740	3/8	1/8	4	1 1/4	2 1/2	3430095	3440095	93.25	-	-	-	-	-	-	-	-
10.0	.3937	1/2	3/16	4	1 1/4	2 1/2	3430100	3440100	94.40	9.602 - 10.389	128.35	105.80	98.15	94.60	90.75	87.65	83.20
10.5	.4134	1/2	3/16	4	1 1/4	2 1/2	3430105	3440105	108.95	10.390 - 11.201	143.05	120.35	112.80	109.15	105.45	102.25	97.85
11.0	.4331	1/2	3/16	4	1 1/4	2 1/2	3430110	3440110	108.95	-	-	-	-	-	-	-	-
11.5	.4528	1/2	3/16	4	1 1/4	2 1/2	3430115	3440115	108.95	11.202 - 11.989	143.05	120.35	112.80	109.15	105.45	102.25	97.85
12.0	.4724	1/2	3/16	4	1 1/4	2 1/2	3430120	3440120	118.25	11.990 - 12.776	153.15	129.90	122.20	118.40	114.55	111.30	106.90
12.5	.4921	1/2	3/16	4	1 1/4	2 1/2	3430125	3440125	118.25	-	-	-	-	-	-	-	-
13.0	.5118	5/8	1/4	6	1 1/2	3	3430130	3440130	118.25	12.777 - 13.564	153.15	129.90	122.20	118.40	114.55	111.30	106.90
13.5	.5315	5/8	1/4	6	1 1/2	3	3430135	3440135	118.25	-	-	-	-	-	-	-	-
14.0	.5512	5/8	1/4	6	1 1/2	3	3430140	3440140	123.70	13.565 - 14.376	158.70	135.50	127.75	124.00	120.05	116.80	112.35
14.5	.5709	5/8	1/4	6	1 1/2	3	3430145	3440145	123.70	14.377 - 15.164	158.70	135.50	127.75	124.00	120.05	116.80	112.35
15.0	.5906	5/8	1/4	6	1 1/2	3	3430150	3440150	123.70	-	-	-	-	-	-	-	-
15.5	.6102	5/8	1/4	6	1 1/2	3	3430155	3440155	126.65	15.165 - 15.951	161.60	138.55	130.65	126.80	122.95	119.75	115.30
16.0	.6299	5/8	1/4	6	1 1/2	3	3430160	3440160	126.65	15.952 - 16.739	161.60	138.55	130.65	126.80	122.95	119.75	115.30
16.5	.6496	5/8	1/4	6	1 1/2	3	3430165	3440165	126.65	-	-	-	-	-	-	-	-
17.0	.6693	5/8	1/4	6	1 1/2	3	3430170	3440170	131.85	16.740 - 17.551	166.75	143.60	135.80	132.00	128.05	124.90	120.35
17.5	.6890	5/8	1/4	6	1 1/2	3	3430175	3440175	131.85	-	-	-	-	-	-	-	-
18.0	.7087	3/4	5/16	6	1 1/2	3	3430180	3440180	131.85	17.552 - 18.339	166.75	143.60	135.80	132.00	128.05	124.90	120.35
18.5	.7283	3/4	5/16	6	1 1/2	3	3430185	3440185	134.75	18.340 - 19.126	169.70	146.45	138.75	134.95	131.05	127.85	123.40
19.0	.7480	3/4	5/16	6	1 1/2	3	3430190	3440190	134.75	-	-	-	-	-	-	-	-
19.5	.7677	3/4	5/16	6	1 1/2	3	3430195	3440195	134.75	19.127 - 19.914	169.70	146.45	138.75	134.95	131.05	127.85	123.40
20.0	.7874	3/4	5/16	6	1 1/2	3	3430200	3440200	145.05	19.915 - 20.726	180.10	156.95	149.15	145.35	141.45	138.15	133.70
20.5	.8071	3/4	5/16	6	1 1/2	3	3430205	3440205	145.05	-	-	-	-	-	-	-	-
21.0	.8268	3/4	5/16	6	1 1/2	3	3430210	3440210	145.05	20.727 - 21.514	180.10	156.95	149.15	145.35	141.45	138.15	133.70
21.5	.8465	3/4	5/16	6	1 1/2	3	3430215	3440215	145.05	-	-	-	-	-	-	-	-
22.0	.8661	3/4	5/16	6	1 1/2	3	3430220	3440220	151.95	21.515 - 22.301	186.90	163.75	155.90	152.20	148.25	145.00	140.55
22.5	.8858	3/4	5/16	6	1 1/2	3	3430225	3440225	157.70	22.302 - 23.089	193.90	169.90	161.85	157.80	153.80	150.55	145.90
23.0	.9055	3/4	5/16	6	1 1/2	3	3430230	3440230	157.70	-	-	-	-	-	-	-	-
23.5	.9252	3/4	5/16	6	1 1/2	3	3430235	3440235	172.05	23.090 - 23.901	208.35	184.25	176.20	172.30	168.20	164.85	160.25
24.0	.9449	3/4	5/16	8	1 1/2	3	3430240	3440240	172.05	23.902 - 24.689	208.35	184.25	176.20	172.30	168.20	164.85	160.25
24.5	.9646	3/4	5/16	8	1 1/2	3	3430245	3440245	172.05	-	-	-	-	-	-	-	-
25.0	.9843	3/4	5/16	8	1 1/2	3	3430250	3440250	179.80	24.690 - 25.476	216.05	191.95	183.95	180.00	175.95	172.60	168.00
25.5	1.0039	3/4	5/16	8	1 1/2	3	3430255	3440255	179.80	25.477 - 27.076	216.05	191.95	183.95	180.00	175.95	172.60	168.00
26.0	1.0236	3/4	5/16	8	1 1/2	3	3430260	3440260	179.80	-	-	-	-	-	-	-	-
27.0	1.0630	3/4	5/16	8	1 1/2	3	3430270	3440270	179.80	-	-	-	-	-	-	-	-
28.0	1.1024	3/4	5/16	8	1 1/2	3	3430280	3440280	207.60	27.077 - 28.651	243.95	219.95	211.75	207.85	203.85	200.50	195.90
29.0	1.1417	3/4	5/16	8	1 1/2	3	3430290	3440290	215.75	28.652 - 30.239	243.95	219.95	211.75	207.85	203.85	200.50	195.90
30.0	1.1811	3/4	5/16	8	1 1/2	3	3430300	3440300	215.75	-	-	-	-	-	-	-	-
31.0	1.2205	3/4	5/16	8	1 1/2	3	3430310	3440310	250.20	30.240 - 31.826	286.40	262.30	254.30	250.35	246.25	242.95	238.35
32.0	1.2598	3/4	5/16	8	1 1/2	3	3430320	3440320	250.20	31.827 - 33.414	286.40	262.30	254.30	250.35	246.25	242.95	238.35
33.0	1.2992	3/4	5/16	8	1 1/2	3	3430330	3440330	250.20	-	-	-	-	-	-	-	-
34.0	1.3386	3/4	5/16	8	1 1/2	3	3430340	3440340	253.55	33.415 - 35.001	289.75	265.65	257.60	253.70	249.60	246.25	241.65
35.0	1.3780	3/4	5/16	8	1 1/2	3	3430350	3440350	253.55	-	-	-	-	-	-	-	-
36.0	1.4173	3/4	5/16	8	1 1/2	3	3430360	3440360	292.85	35.002 - 36.589	329.10	305.05	297.00	293.00	288.95	285.60	281.00
37.0	1.4567	3/4	5/16	8	1 1/2	3	3430370	3440370	348.50	36.590 - 38.176	384.80	360.75	352.60	348.75	344.65	341.25	336.65
38.0	1.4961	3/4	5/16	8	1 1/2	3	3430380	3440380	348.50	-	-	-	-	-	-	-	-

*1/2" carbide length.

CARBIDE TIPPED NAS 897 CHUCKING REAMERS

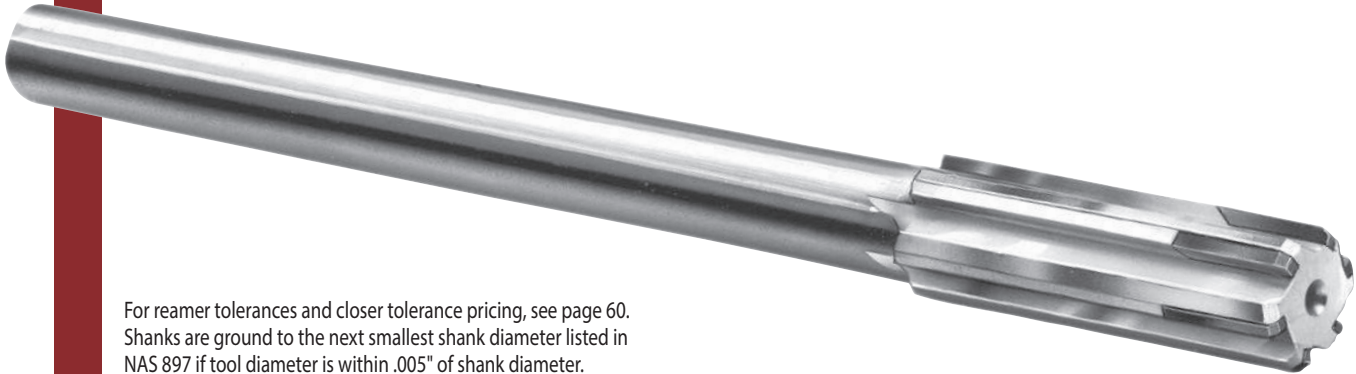
TYPE 3407 - STRAIGHT SHANK - STRAIGHT FLUTES - FOR NON-FERROUS

TYPE 3408 - STRAIGHT SHANK - STRAIGHT FLUTES - FOR CAST IRON

TYPE 3409 - STRAIGHT SHANK - STRAIGHT FLUTES - FOR STEEL

Carbide tips brazed to one piece hardened alloy steel bodies. Straight polished flutes.

NAS 897 chucking reamers manufactured to national aerospace standards 897 C with partial flute length carbide. Tool geometry and carbide grade appropriate for material being machined.



For reamer tolerances and closer tolerance pricing, see page 60.
Shanks are ground to the next smallest shank diameter listed in NAS 897 if tool diameter is within .005" of shank diameter.

TOOL DIAMETER		MAX. SHANK DIAM.	NO. OF FLTS.	LENGTH			NON-FERR. TYPE 3407 EDP NO.	CAST IRON TYPE 3408 EDP NO.	STEEL TYPE 3409 EDP NO.	ALL TYPES PRICE	DECIMAL SIZE RANGE	PRICE EACH - FINISHED TO DECIMAL SIZE					
DEC.	FRACTION			FLT.	CARB.	OAL.						1 PC.	2 PC.	3 PC.	4 PC.	5-7	8-14*
.1562	5/32	.1510	4	1	1/2	4	340705	340805	340905	\$61.75	.1560 - .1769	\$107.00	\$84.20	\$76.65	\$73.10	\$69.15	\$66.10
.1875	3/16	.1805	4	1 1/8	1/2	4 1/2	340706	340806	340906	56.60	.1770 - .2040	100.70	78.60	71.25	67.65	63.90	60.90
.2188	7/32	.2075	4	1 1/4	1/2	5	340707	340807	340907	56.60	.2041 - .2210	100.70	78.60	71.25	67.65	63.90	60.90
.2344	15/64	.2265	4	1 1/2	1/2	6	34072344	34082344	34092344	60.10	.2211 - .2380	104.10	82.05	74.65	71.15	67.30	64.35
.2500	1/4	.2405	4	1 1/2	1/2	6	340708	340808	340908	57.00	.2381 - .2530	101.00	78.95	71.60	68.05	64.25	61.30
.2812	9/32	.2485	4	1 1/2	1/2	6	340709	340809	340909	58.10	.2531 - .2840	102.15	80.05	72.80	69.15	65.45	62.40
.3125	5/16	.2792	4	1 1/2	1/2	6	340710	340810	340910	58.10	.2841 - .3150	102.15	80.05	72.80	69.15	65.45	62.40
.3125	5/16	.2792	6	1 1/2	1/2	6	340790	340890	340990	63.90	.2841 - .3150	107.90	85.85	78.45	74.95	71.25	68.25
.3438	11/32	.2792	4	1 1/2	5/8	6	340711	340811	340911	60.30	.3151 - .3470	104.35	82.30	74.85	71.40	67.60	64.70
.3438	11/32	.2792	6	1 1/2	5/8	6	340791	340891	340991	66.20	.3151 - .3470	110.25	88.20	80.90	77.30	73.55	70.55
.3750	3/8	.3105	4	1 3/4	5/8	7	340712	340812	340912	55.35	.3471 - .3780	95.70	75.45	68.70	65.50	62.05	59.30
.3750	3/8	.3105	6	1 3/4	5/8	7	340792	340892	340992	60.75	.3471 - .3780	101.15	80.95	74.20	71.00	67.45	64.80
.4062	13/32	.3105	4	1 3/4	5/8	7	340713	340813	340913	63.20	.3781 - .4090	107.20	85.20	77.85	74.25	70.40	67.50
.4062	13/32	.3105	6	1 3/4	5/8	7	340793	340893	340993	67.35	.3781 - .4090	111.45	89.35	82.05	78.45	74.70	71.75
.4375	7/16	.3730	6	1 3/4	5/8	7	340714	340814	340914	67.35	.4091 - .4410	111.45	89.35	82.05	78.45	74.70	71.75
.4688	15/32	.3730	6	1 3/4	5/8	7	340715	340815	340915	68.40	.4411 - .4720	112.40	90.40	82.95	79.45	75.75	72.80
.5000	1/2	.4355	6	2	5/8	8	340716	340816	340916	80.90	.4721 - .5030	129.35	105.00	96.90	93.10	88.90	85.65
.5312	17/32	.4355	6	2	5/8	8	340717	340817	340917	88.00	.5031 - .5340	136.45	112.10	104.10	100.15	96.10	92.75
.5625	9/16	.4355	6	2	5/8	8	340718	340818	340918	88.00	.5341 - .5660	136.45	112.10	104.10	100.15	96.10	92.75
.5938	19/32	.4355	6	2	5/8	8	340719	340819	340919	91.65	.5661 - .5970	140.10	115.75	107.60	103.75	99.60	96.30
.6250	5/8	.5615	6	2 1/4	5/8	9	340720	340820	340920	91.65	.5971 - .6280	140.10	115.75	107.60	103.75	99.60	96.30
.6562	21/32	.5615	6	2 1/4	5/8	9	340721	340821	340921	93.20	.6281 - .6590	141.65	117.30	109.15	105.45	101.15	97.95
.6875	11/16	.5615	6	2 1/4	5/8	9	340722	340822	340922	93.20	.6591 - .6910	141.65	117.30	109.15	105.45	101.15	97.95
.7188	23/32	.5615	6	2 1/4	5/8	9	340723	340823	340923	97.55	.6911 - .7220	146.05	121.70	113.60	109.65	105.60	102.25
.7500	3/4	.6245	6	2 1/2	3/4	9 1/2	340724	340824	340924	97.55	.7221 - .7530	146.05	121.70	113.60	109.65	105.60	102.25
.7812	25/32	.6245	6	2 1/2	3/4	9 1/2	340725	340825	340925	100.70	.7531 - .7840	149.15	124.90	116.80	112.85	108.70	105.50
.8125	13/16	.6245	6	2 1/2	3/4	9 1/2	340726	340826	340926	100.70	.7841 - .8160	149.15	124.90	116.80	112.85	108.70	105.50
.8438	27/32	.6245	6	2 1/2	3/4	9 1/2	340727	340827	340927	104.70	.8161 - .8470	153.15	128.95	120.85	116.95	112.80	109.50
.8750	7/8	.7495	6	2 5/8	3/4	10	340728	340828	340928	108.70	.8471 - .8780	158.95	133.80	125.30	121.40	117.10	113.65
.9062	29/32	.7495	6	2 5/8	3/4	10	340729	340829	340929	126.60	.8781 - .9090	176.90	151.65	143.30	139.25	134.90	131.50
.9375	15/16	.7495	8	2 5/8	3/4	10	340730	340830	340930	126.60	.9091 - .9410	176.90	151.65	143.30	139.25	134.90	131.50
.9688	31/32	.7495	8	2 5/8	3/4	10	340731	340831	340931	132.60	.9411 - .9720	182.85	157.70	149.20	145.15	140.85	137.40
1.0000	1	.8745	8	2 3/4	3/4	10 1/2	340732	340832	340932	132.60	.9721 - 1.0030	182.85	157.70	149.20	145.15	140.85	137.40
1.0625	1 1/16	.8745	8	2 3/4	3/4	10 1/2	340734	340834	340934	137.25	1.0031 - 1.0660	185.45	161.40	153.20	149.35	145.20	142.00
1.1250	1 1/8	.8745	8	2 7/8	7/8	11	340736	340836	340936	148.40	1.0661 - 1.1280	196.55	172.45	164.45	160.50	156.40	153.15
1.1875	1 3/16	.9995	8	2 7/8	7/8	11	340738	340838	340938	155.95	1.1281 - 1.1905	204.20	180.10	172.00	168.15	164.00	160.80
1.2500	1 1/4	.9995	8	3	7/8	11 1/2	340740	340840	340940	164.85	1.1906 - 1.2530	213.10	189.00	180.85	177.05	172.90	169.60
1.3125	1 5/16	.9995	8	3	7/8	11 1/2	340742	340842	340942	173.55	1.2531 - 1.3155	221.80	197.65	189.50	185.70	181.50	178.25
1.3750	1 3/8	.9995	8	3 1/4	7/8	12	340744	340844	340944	184.10	1.3156 - 1.3780	232.30	208.20	199.95	196.25	192.05	188.75
1.4375	1 7/16	.9995	8	3 1/4	7/8	12	340746	340846	340946	205.15	1.3781 - 1.4405	253.45	229.20	221.20	217.40	213.20	210.00
1.5000	1 1/2	1.2495	8	3 1/2	7/8	12 1/2	340748	340848	340948	216.90	1.4406 - 1.5030	265.10	241.00	232.85	229.05	224.85	221.65

LEXINGTON CUTTER, INC. • sales@lexingtoncutter.com • Phone 800-882-2627 • Fax 800-882-3637

CARBIDE TIPPED NAS 897 CHUCKING REAMERS

METRIC

TYPE 3407 - STRAIGHT SHANK - STRAIGHT FLUTES - FOR NON-FERROUS
TYPE 3408 - STRAIGHT SHANK - STRAIGHT FLUTES - FOR CAST IRON
TYPE 3409 - STRAIGHT SHANK - STRAIGHT FLUTES - FOR STEEL



Detailed description and fractional sizes on page 92. Tolerances on page 60.
 Tool diameter in millimeters with all other dimensions in inches.

TOOL DIAMETER		MAX. SHANK DIAM.	NO. OF FLTS.	LENGTH			NON-FERR. TYPE 3407 EDP NO.	CAST IRON TYPE 3408 EDP NO.	STEEL TYPE 3409 EDP NO.	ALL TYPES PRICE	METRIC SIZE RANGE	PRICE EACH - FINISHED TO METRIC SIZE						
mm	INCH			FLT	CARB	OAL						1 PC.	2 PC.	3 PC.	4 PC.	5-7	8-14	15+
4.0	.1575	.1510	4	1	½	4	3407040	3408040	3409040	\$76.65	3.962-4.493	\$110.70	\$88.15	\$80.65	\$76.85	\$73.10	\$69.95	\$65.60
4.5	.1772	.1704	4	1 ½	½	4 ½	3407045	3408045	3409045	71.25	4.494-4.696	104.35	82.35	74.95	71.40	67.65	64.70	60.40
5.0	.1969	.1805	4	1 ½	½	4 ½	3407050	3408050	3409050	71.25	4.697-5.182	104.35	82.35	74.95	71.40	67.65	64.70	60.40
5.5	.2165	.2075	4	1 ¼	½	5	3407055	3408055	3409055	71.25	5.183-5.613	104.35	82.35	74.95	71.40	67.65	64.70	60.40
6.0	.2362	.2265	4	1 ½	½	6	3407060	3408060	3409060	74.65	5.614-6.045	107.75	85.80	78.35	74.80	71.15	68.05	63.80
-	-	.2405	4	1 ½	½	6	3407063	3408063	3409063	-	6.046-6.426	104.70	82.75	75.30	71.75	68.05	65.00	60.75
6.5	.2559	.2485	4	1 ½	½	6	3407065	3408065	3409065	72.80	6.427-7.214	105.90	83.90	76.50	72.95	69.15	66.10	61.95
7.0	.2756	.2485	4	1 ½	½	6	3407070	3408070	3409070	72.80	-	-	-	-	-	-	-	-
7.5	.2953	.2792	4	1 ½	½	6	3407075	3408075	3409075	72.80	7.215-8.001	105.90	83.90	76.50	72.95	69.15	66.10	61.95
7.5	.2953	.2792	6	1 ½	½	6	3407078	3408078	3409078	78.45	7.215-8.001	111.65	89.70	82.30	78.65	74.95	71.90	67.65
8.0	.3150	.2792	4	1 ½	½	6	3407080	3408080	3409080	72.80	-	-	-	-	-	-	-	-
8.0	.3150	.2792	6	1 ½	½	6	3407083	3408083	3409083	78.45	-	-	-	-	-	-	-	-
8.5	.3346	.2792	4	1 ½	⅝	6	3407085	3408085	3409085	74.85	8.002-8.814	107.95	86.05	78.65	75.10	71.40	68.35	64.10
8.5	.3346	.2792	6	1 ½	⅝	6	3407088	3408088	3409088	80.90	8.002-8.814	113.95	92.00	84.60	81.05	77.30	74.25	70.05
9.0	.3543	.3105	4	1 ¾	⅝	7	3407090	3408090	3409090	68.70	8.815-9.601	99.15	78.95	72.10	68.85	65.50	62.70	58.85
9.0	.3543	.3105	6	1 ¾	⅝	7	3407093	3408093	3409093	74.20	8.815-9.601	104.55	84.35	77.60	74.35	71.00	68.10	64.25
9.5	.3740	.3105	4	1 ¾	⅝	7	3407095	3408095	3409095	68.70	-	-	-	-	-	-	-	-
9.5	.3740	.3105	6	1 ¾	⅝	7	3407098	3408098	3409098	74.20	-	-	-	-	-	-	-	-
10.0	.3937	.3105	4	1 ¾	⅝	7	3407100	3408100	3409100	77.85	9.602-10.389	110.95	88.95	81.55	78.00	74.25	71.25	67.00
10.0	.3937	.3105	6	1 ¾	⅝	7	3407103	3408103	3409103	82.05	9.602-10.389	115.15	93.20	85.80	82.20	78.45	75.40	71.25
10.5	.4134	.3730	6	1 ¾	⅝	7	3407105	3408105	3409105	82.05	10.390-11.201	115.15	93.20	85.80	82.20	78.45	75.40	71.25
11.0	.4331	.3730	6	1 ¾	⅝	7	3407110	3408110	3409110	82.05	-	-	-	-	-	-	-	-
11.5	.4528	.3730	6	1 ¾	⅝	7	3407115	3408115	3409115	82.95	11.202-11.989	116.05	94.10	86.80	83.10	79.45	76.35	72.10
12.0	.4724	.4355	6	2	⅝	8	3407120	3408120	3409120	96.90	11.990-12.776	133.40	109.15	101.05	97.15	93.10	89.70	85.10
12.5	.4921	.4355	6	2	⅝	8	3407125	3408125	3409125	96.90	-	-	-	-	-	-	-	-
13.0	.5118	.4355	6	2	⅝	8	3407130	3408130	3409130	104.10	12.777-13.564	140.55	116.40	108.20	104.25	100.15	96.75	92.15
13.5	.5315	.4355	6	2	⅝	8	3407135	3408135	3409135	104.10	-	-	-	-	-	-	-	-
14.0	.5512	.4355	6	2	⅝	8	3407140	3408140	3409140	104.10	13.565-14.376	140.55	116.40	108.20	104.25	100.15	96.75	92.15
14.5	.5709	.4355	6	2	⅝	8	3407145	3408145	3409145	107.60	14.377-15.164	144.10	119.90	111.80	107.80	103.75	100.40	95.70
15.0	.5906	.4355	6	2	⅝	8	3407150	3408150	3409150	107.60	-	-	-	-	-	-	-	-
15.5	.6102	.5615	6	2 ¼	⅝	9	3407155	3408155	3409155	107.60	15.165-15.951	144.10	119.90	111.80	107.80	103.75	100.40	95.70
16.0	.6299	.5615	6	2 ¼	⅝	9	3407160	3408160	3409160	109.15	15.952-16.739	145.75	121.45	113.40	109.35	105.45	101.95	97.30
16.5	.6496	.5615	6	2 ¼	⅝	9	3407165	3408165	3409165	109.15	-	-	-	-	-	-	-	-
17.0	.6693	.5615	6	2 ¼	⅝	9	3407170	3408170	3409170	109.15	16.740-17.551	145.75	121.45	113.40	109.35	105.45	101.95	97.30
17.5	.6890	.5615	6	2 ¼	⅝	9	3407175	3408175	3409175	109.15	-	-	-	-	-	-	-	-
18.0	.7087	.5615	6	2 ¼	⅝	9	3407180	3408180	3409180	113.60	17.552-18.339	150.05	125.85	117.85	113.80	109.65	106.35	101.65
19.0	.7480	.6245	6	2 ½	¾	9 ½	3407190	3408190	3409190	113.60	18.340-19.126	150.05	125.85	117.85	113.80	109.65	106.35	101.65
19.5	.7677	.6245	6	2 ½	¾	9 ½	3407195	3408195	3409195	116.80	19.127-19.914	153.15	129.05	120.95	116.95	112.85	109.50	104.85
20.0	.7874	.6245	6	2 ½	¾	9 ½	3407200	3408200	3409200	116.80	19.915-20.726	153.15	129.05	120.95	116.95	112.85	109.50	104.85
21.0	.8268	.6245	6	2 ½	¾	9 ½	3407210	3408210	3409210	120.85	20.727-21.514	157.25	133.10	124.95	121.00	116.95	113.60	108.95
22.0	.8661	.7495	6	2 ⅝	¾	10	3407220	3408220	3409220	120.85	21.515-22.301	157.25	133.10	124.95	121.00	116.95	113.60	108.95
23.0	.9055	.7495	6	2 ⅝	¾	10	3407230	3408230	3409230	143.30	22.302-23.089	181.05	155.95	147.60	143.45	139.25	135.70	130.95
23.5	.9252	.7495	8	2 ⅝	¾	10	3407235	3408235	3409235	143.30	23.090-23.901	181.05	155.95	147.60	143.45	139.25	135.70	130.95
24.0	.9449	.7495	8	2 ⅝	¾	10	3407240	3408240	3409240	149.20	23.902-24.689	187.05	162.00	153.60	149.45	145.15	141.70	136.90
25.0	.9843	.8745	8	2 ¾	¾	10 ½	3407250	3408250	3409250	149.20	24.690-25.476	187.05	162.00	153.60	149.45	145.15	141.70	136.90
26.0	1.0236	.8745	8	2 ¾	¾	10 ½	3407260	3408260	3409260	153.20	25.477-27.076	189.50	165.45	157.45	153.45	149.35	146.05	141.45
27.0	1.0630	.8745	8	2 ¾	¾	10 ½	3407270	3408270	3409270	153.20	-	-	-	-	-	-	-	-
28.0	1.1024	.8745	8	2 ⅞	⅞	11	3407280	3408280	3409280	164.45	27.077-28.651	200.65	176.60	168.50	164.60	160.50	157.15	152.55
29.0	1.1417	.9995	8	2 ⅞	⅞	11	3407290	3408290	3409290	172.00	28.652-30.239	208.30	184.15	176.10	172.15	168.15	164.80	160.20
30.0	1.1811	.9995	8	2 ⅞	⅞	11	3407300	3408300	3409300	172.00	-	-	-	-	-	-	-	-
31.0	1.2205	.9995	8	3	⅞	11 ½	3407310	3408310	3409310	180.85	30.240-31.826	217.05	193.05	185.05	181.05	177.05	173.65	168.95
32.0	1.2598	.9995	8	3	⅞	11 ½	3407320	3408320	3409320	189.50	31.827-33.414	225.80	201.70	193.65	189.75	185.70	182.40	177.65
33.0	1.2992	.9995	8	3	⅞	11 ½	3407330	3408330	3409330	189.50	-	-	-	-	-	-	-	-
34.0	1.3386	.9995	8	3 ¼	⅞	12	3407340	3408340	3409340	199.95	33.415-35.001	236.40	212.30	204.20	200.35	196.25	192.90	188.25
35.0	1.3780	.9995	8	3 ¼	⅞	12	3407350	3408350	3409350	199.95	-	-	-	-	-	-	-	-
36.0	1.4173	.9995	8	3 ¼	⅞	12	3407360	3408360	3409360	221.20	35.002-36.589	257.40	233.35	225.35	221.35	217.40	214.00	209.30
37.0	1.4567	1.2495	8	3 ½	⅞	12 ½	3407370	3408370	3409370	232.85	36.590-38.176	269.20	245.10	237.05	233.15	229.05	225.70	221.05

CARBIDE TIPPED NAS 897 CHUCKING REAMERS

TYPE 3457 - STRAIGHT SHANK - STRAIGHT FLUTE LONG CARBIDE - FOR NON-FERROUS

TYPE 3458 - STRAIGHT SHANK - STRAIGHT FLUTE LONG CARBIDE - FOR CAST IRON

TYPE 3459 - STRAIGHT SHANK - STRAIGHT FLUTE LONG CARBIDE - FOR STEEL

Flute long carbide tips brazed to one piece hardened alloy steel bodies. Straight polished flutes.

NAS 897 chucking reamers manufactured to national aerospace standards 897 C with flute length carbide. Tool geometry and carbide grade appropriate for material being machined. For step reamers, see page 124. For longer overall length reamers, see page 118.



For reamer tolerances and closer tolerance pricing, see page 60.
Shanks are ground to the next smallest shank diameter listed in NAS 897 if tool diameter is within .005" of shank diameter.

TOOL DIAMETER		MAX. SHANK DIAM.	NO. OF FLTS.	LENGTH		NON-FERR. TYPE 3457 EDP NO.	CAST IRON TYPE 3458 EDP NO.	STEEL TYPE 3459 EDP NO.	ALL TYPES PRICE	DECIMAL SIZE RANGE	PRICE EACH - FINISHED TO DECIMAL SIZE					
DEC.	FRACTION			FLT.	OAL						1 PC.	2 PC.	3 PC.	4 PC.	5-7	8-14*
.1875	3/16	.1805	4	1 1/8	4 1/2	345706	345806	345906	\$67.65	.1770 -.2040	\$112.95	\$90.30	\$82.65	\$79.10	\$75.25	\$72.10
.2188	7/32	.2075	4	1 1/4	5	345707	345807	345907	67.65	.2041 -.2210	112.95	90.30	82.65	79.10	75.25	72.10
.2344	15/64	.2265	4	1 1/2	6	34572344	34582344	34592344	67.65	.2211 -.2380	112.95	90.30	82.65	79.10	75.25	72.10
.2500	1/4	.2405	4	1 1/2	6	345708	345808	345908	67.65	.2381 -.2530	112.95	90.30	82.65	79.10	75.25	72.10
.2812	9/32	.2485	4	1 1/2	6	345709	345809	345909	69.15	.2531 -.2840	114.35	91.80	84.15	80.65	76.65	73.70
.3125	5/16	.2792	4	1 1/2	6	345710	345810	345910	69.15	.2841 -.3150	114.35	91.80	84.15	80.65	76.65	73.70
.3438	11/32	.2792	4	1 1/2	6	345711	345811	345911	71.70	.3151 -.3470	116.95	94.15	86.65	83.05	79.25	76.15
.3750	3/8	.3105	4	1 3/4	7	345712	345812	345912	71.70	.3471 -.3780	116.95	94.15	86.65	83.05	79.25	76.15
.4062	13/32	.3105	4	1 3/4	7	345713	345813	345913	75.25	.3781 -.4090	120.35	97.80	90.25	86.60	82.65	79.60
.4375	7/16	.3730	6	1 3/4	7	345714	345814	345914	81.40	.4091 -.4410	126.60	104.05	96.40	92.75	88.90	85.80
.4688	15/32	.3730	6	1 3/4	7	345715	345815	345915	87.95	.4411 -.4720	133.25	110.50	103.00	99.35	95.40	92.40
.5000	1/2	.4355	6	2	8	345716	345816	345916	94.15	.4721 -.5030	142.75	118.40	110.35	106.40	102.25	99.05
.5312	17/32	.4355	6	2	8	345717	345817	345917	96.90	.5031 -.5340	145.35	121.10	112.95	109.05	104.90	101.65
.5625	9/16	.4355	6	2	8	345718	345818	345918	96.90	.5341 -.5660	145.35	121.10	112.95	109.05	104.90	101.65
.5938	19/32	.4355	6	2	8	345719	345819	345919	100.60	.5661 -.5970	149.05	124.80	116.65	112.80	108.65	105.45
.6250	5/8	.5615	6	2 1/4	9	345720	345820	345920	100.60	.5971 -.6280	149.05	124.80	116.65	112.80	108.65	105.45
.6562	21/32	.5615	6	2 1/4	9	345721	345821	345921	102.45	.6281 -.6590	151.00	126.65	118.50	114.65	110.50	107.20
.6875	11/16	.5615	6	2 1/4	9	345722	345822	345922	102.45	.6591 -.6910	151.00	126.65	118.50	114.65	110.50	107.20
.7188	23/32	.5615	6	2 1/4	9	345723	345823	345923	107.15	.6911 -.7220	155.60	131.25	123.25	119.40	115.15	111.90
.7500	3/4	.6245	6	2 1/2	9 1/2	345724	345824	345924	107.15	.7221 -.7530	155.60	131.25	123.25	119.40	115.15	111.90
.7812	25/32	.6245	6	2 1/2	9 1/2	345725	345825	345925	110.85	.7531 -.7840	159.25	134.95	126.80	122.95	118.80	115.55
.8125	13/16	.6245	6	2 1/2	9 1/2	345726	345826	345926	110.85	.7841 -.8160	159.25	134.95	126.80	122.95	118.80	115.55
.8438	27/32	.6245	6	2 1/2	9 1/2	345727	345827	345927	115.30	.8161 -.8470	163.70	139.35	131.25	127.50	123.30	120.00
.8750	7/8	.7495	6	2 5/8	10	345728	345828	345928	119.70	.8471 -.8780	169.85	144.70	136.25	132.20	127.90	124.50
.9062	29/32	.7495	6	2 5/8	10	345729	345829	345929	139.25	.8781 -.9090	189.60	164.45	155.90	151.80	147.60	144.10
.9375	15/16	.7495	8	2 5/8	10	345730	345830	345930	139.25	.9091 -.9410	189.60	164.45	155.90	151.80	147.60	144.10
.9688	31/32	.7495	8	2 5/8	10	345731	345831	345931	145.95	.9411 -.9720	196.25	171.10	162.55	158.55	154.25	150.85
1.0000	1	.8745	8	2 3/4	10 1/2	345732	345832	345932	145.95	.9721 -1.0030	196.25	171.10	162.55	158.55	154.25	150.85
1.0625	1 1/16	.8745	8	2 3/4	10 1/2	345734	345834	345934	150.90	1.0031 -1.0660	199.10	174.90	166.90	163.00	158.85	155.65
1.1250	1 1/8	.8745	8	2 7/8	11	345736	345836	345936	163.45	1.0661 -1.1280	211.60	187.45	179.35	175.55	171.40	168.15
1.1875	1 3/16	.9995	8	2 7/8	11	345738	345838	345938	170.90	1.1281 -1.1905	219.10	194.90	186.85	183.15	178.90	175.65
1.2500	1 1/4	.9995	8	3	11 1/2	345740	345840	345940	184.60	1.1906 -1.2530	232.85	208.80	200.65	196.85	192.70	189.45
1.3125	1 5/16	.9995	8	3	11 1/2	345742	345842	345942	189.80	1.2531 -1.3155	238.05	213.90	205.75	201.95	197.80	194.55
1.3750	1 3/8	.9995	8	3 1/4	12	345744	345844	345944	202.40	1.3156 -1.3780	250.55	226.45	218.35	214.60	210.35	207.15
1.4375	1 7/16	.9995	8	3 1/4	12	345746	345846	345946	219.25	1.3781 -1.4405	267.40	243.25	235.15	231.30	227.20	223.95
1.5000	1 1/2	1.2495	8	3 1/2	12 1/2	345748	345848	345948	225.55	1.4406 -1.5030	273.80	249.60	241.60	237.75	233.65	230.40
1.5625	1 5/8	1.2495	8	3 1/2	12 1/2	345750	345850	345950	354.30	1.5031 -1.5660	402.60	378.50	370.40	366.55	362.40	359.15
1.6250	1 5/8	1.2495	8	3 1/2	13	345752	345852	345952	366.45	1.5661 -1.6280	414.80	390.65	382.60	378.70	374.50	371.30
1.6875	1 11/16	1.2495	8	3 1/2	13	345754	345854	345954	402.40	1.6281 -1.6910	450.70	426.60	418.50	414.65	410.40	407.20
1.7500	1 3/4	1.2495	10	3 1/2	13 1/2	345756	345856	345956	402.40	1.6911 -1.7530	450.70	426.60	418.50	414.65	410.40	407.20
1.8125	1 13/16	1.4995	10	3 1/2	13 1/2	345758	345858	345958	411.75	1.7531 -1.8160	460.05	435.90	427.85	424.00	419.75	416.55
1.8750	1 7/8	1.4995	10	3 1/2	14	345760	345860	345960	431.85	1.8161 -1.8780	480.15	456.05	447.85	444.10	439.85	436.65
1.9375	1 15/16	1.4995	10	3 1/2	14	345762	345862	345962	457.80	1.8781 -1.9410	506.10	481.95	473.85	470.05	465.85	462.65
2.0000	2	1.4995	12	3 1/2	14	345764	345864	345964	457.15	1.9411 -2.0030	505.45	481.35	473.25	469.40	465.25	461.95
2.1250	2 1/8	1.4995	12	3 1/2	14 1/2	345768	345868	345968	849.35	2.0031 -2.1280	897.65	873.55	865.40	861.60	857.40	854.20
2.2500	2 1/4	1.7495	12	3 1/2	14 1/2	345772	345872	345972	912.20	2.1281 -2.2530	960.50	936.40	928.30	924.45	920.30	917.10
2.3750	2 3/8	1.7495	12	3 1/2	15	345776	345876	345976	943.95	2.2531 -2.3780	992.30	968.10	960.00	956.20	952.00	948.80
2.5000	2 1/2	1.7495	12	3 1/2	15	345780	345880	345980	943.95	2.3781 -2.5030	992.30	968.10	960.00	956.20	952.00	948.80

LEXINGTON CUTTER, INC. • sales@lexingtoncutter.com • Phone 800-882-2627 • Fax 800-882-3637

CARBIDE TIPPED NAS 897 CHUCKING REAMERS

METRIC

TYPE 3457 - STRAIGHT SHANK - STRAIGHT FLUTE LONG CARBIDE - FOR NON-FERROUS
TYPE 3458 - STRAIGHT SHANK - STRAIGHT FLUTE LONG CARBIDE - FOR CAST IRON
TYPE 3459 - STRAIGHT SHANK - STRAIGHT FLUTE LONG CARBIDE - FOR STEEL



Detailed description and fractional sizes on page 94. Tolerances on page 60.
 Tool diameter in millimeters with all other dimensions in inches.

TOOL DIAMETER		MAX. SHANK DIAM.	NO. OF FLTS.	LENGTH		NON-FERR. TYPE 3457 EDP NO.	CAST IRON TYPE 3458 EDP NO.	STEEL TYPE 3459 EDP NO.	ALL TYPES PRICE	METRIC SIZE RANGE	PRICE EACH - FINISHED TO METRIC SIZE						
mm	INCH			FLUTE	OVER-ALL						1 PC.	2 PC.	3 PC.	4 PC.	5-7	8-14	15+
4.5	.1772	.1704	4	1 1/8	4 1/2	3457045	3458045	3459045	\$82.65	4.494 - 4.696	\$116.70	\$94.10	\$86.60	\$82.90	\$79.10	\$76.00	\$71.60
5.0	.1969	.1805	4	1 1/8	4 1/2	3457050	3458050	3459050	82.65	4.697 - 5.182	116.70	94.10	86.60	82.90	79.10	76.00	71.60
5.5	.2165	.2075	4	1 1/4	5	3457055	3458055	3459055	82.65	5.183 - 5.613	116.70	94.10	86.60	82.90	79.10	76.00	71.60
6.0	.2362	.2265	4	1 1/2	6	3457060	3458060	3459060	82.65	5.614 - 6.045	116.70	94.10	86.60	82.90	79.10	76.00	71.60
-	-	.2405	4	1 1/2	6	3457063	3458063	3459063	-	6.046 - 6.426	116.70	94.10	86.60	82.90	79.10	76.00	71.60
6.5	.2559	.2485	4	1 1/2	6	3457065	3458065	3459065	84.15	6.427 - 7.214	118.20	95.55	88.00	84.30	80.65	77.40	73.10
7.0	.2756	.2485	4	1 1/2	6	3457070	3458070	3459070	84.15	-	-	-	-	-	-	-	-
7.5	.2953	.2792	4	1 1/2	6	3457075	3458075	3459075	84.15	7.215 - 8.001	118.20	95.55	88.00	84.30	80.65	77.40	73.10
8.0	.3150	.2792	4	1 1/2	6	3457080	3458080	3459080	84.15	-	-	-	-	-	-	-	-
8.5	.3346	.2792	4	1 1/2	6	3457085	3458085	3459085	86.65	8.002 - 8.814	120.80	98.10	90.50	86.90	83.05	79.90	75.55
9.0	.3543	.3105	4	1 3/4	7	3457090	3458090	3459090	86.65	8.815 - 9.601	120.80	98.10	90.50	86.90	83.05	79.90	75.55
9.5	.3740	.3105	4	1 3/4	7	3457095	3458095	3459095	86.65	-	-	-	-	-	-	-	-
10.0	.3937	.3105	4	1 3/4	7	3457100	3458100	3459100	90.25	9.602 - 10.389	124.20	101.65	94.00	90.40	86.60	83.50	79.10
10.5	.4134	.3730	6	1 3/4	7	3457105	3458105	3459105	96.40	10.390 - 11.201	130.45	107.80	100.25	96.55	92.75	89.65	85.35
11.0	.4331	.3730	6	1 3/4	7	3457110	3458110	3459110	96.40	-	-	-	-	-	-	-	-
11.5	.4528	.3730	6	1 3/4	7	3457115	3458115	3459115	103.00	11.202 - 11.989	137.05	114.35	106.90	103.15	99.35	96.25	91.85
12.0	.4724	.4355	6	2	8	3457120	3458120	3459120	110.35	11.990 - 12.776	146.75	122.60	114.40	110.50	106.40	103.05	98.45
12.5	.4921	.4355	6	2	8	3457125	3458125	3459125	110.35	-	-	-	-	-	-	-	-
13.0	.5118	.4355	6	2	8	3457130	3458130	3459130	112.95	12.777 - 13.564	149.50	125.25	117.10	113.15	109.05	105.75	101.05
13.5	.5315	.4355	6	2	8	3457135	3458135	3459135	112.95	-	-	-	-	-	-	-	-
14.0	.5512	.4355	6	2	8	3457140	3458140	3459140	112.95	13.565 - 14.376	149.50	125.25	117.10	113.15	109.05	105.75	101.05
14.5	.5709	.4355	6	2	8	3457145	3458145	3459145	116.65	14.377 - 15.164	153.05	128.95	120.85	116.85	112.80	109.35	104.70
15.0	.5906	.4355	6	2	8	3457150	3458150	3459150	116.65	-	-	-	-	-	-	-	-
15.5	.6102	.5615	6	2 1/4	9	3457155	3458155	3459155	116.65	15.165 - 15.951	153.05	128.95	120.85	116.85	112.80	109.35	104.70
16.0	.6299	.5615	6	2 1/4	9	3457160	3458160	3459160	118.50	15.952 - 16.739	155.10	130.80	122.75	118.70	114.65	111.30	106.55
16.5	.6496	.5615	6	2 1/4	9	3457165	3458165	3459165	118.50	-	-	-	-	-	-	-	-
17.0	.6693	.5615	6	2 1/4	9	3457170	3458170	3459170	118.50	16.740 - 17.551	155.10	130.80	122.75	118.70	114.65	111.30	106.55
17.5	.6890	.5615	6	2 1/4	9	3457175	3458175	3459175	118.50	-	-	-	-	-	-	-	-
18.0	.7087	.5615	6	2 1/4	9	3457180	3458180	3459180	123.25	17.552 - 18.339	159.60	135.40	127.40	123.40	119.40	115.90	111.30
18.5	.7283	.6245	6	2 1/2	9 1/2	3457185	3458185	3459185	123.25	18.340 - 19.126	159.60	135.40	127.40	123.40	119.40	115.90	111.30
19.0	.7480	.6245	6	2 1/2	9 1/2	3457190	3458190	3459190	123.25	-	-	-	-	-	-	-	-
19.5	.7677	.6245	6	2 1/2	9 1/2	3457195	3458195	3459195	126.80	19.127 - 19.914	163.40	139.10	130.95	127.05	122.95	119.60	115.00
20.0	.7874	.6245	6	2 1/2	9 1/2	3457200	3458200	3459200	126.80	19.915 - 20.726	163.40	139.10	130.95	127.05	122.95	119.60	115.00
20.5	.8071	.6245	6	2 1/2	9 1/2	3457205	3458205	3459205	126.80	-	-	-	-	-	-	-	-
21.0	.8268	.6245	6	2 1/2	9 1/2	3457210	3458210	3459210	131.25	20.727 - 21.514	167.85	143.60	135.40	131.50	127.50	124.05	119.45
21.5	.8465	.6245	6	2 1/2	9 1/2	3457215	3458215	3459215	131.25	-	-	-	-	-	-	-	-
22.0	.8661	.7495	6	2 5/8	10	3457220	3458220	3459220	131.25	21.515 - 22.301	167.85	143.60	135.40	131.50	127.50	124.05	119.45
22.5	.8858	.7495	6	2 5/8	10	3457225	3458225	3459225	155.90	22.302 - 23.089	193.75	168.65	160.25	156.10	151.80	148.40	143.50
23.0	.9055	.7495	6	2 5/8	10	3457230	3458230	3459230	155.90	-	-	-	-	-	-	-	-
23.5	.9252	.7495	8	2 5/8	10	3457235	3458235	3459235	155.90	23.090 - 23.901	193.75	168.65	160.25	156.10	151.80	148.40	143.50
24.0	.9449	.7495	8	2 5/8	10	3457240	3458240	3459240	162.55	23.902 - 24.689	200.50	175.40	166.95	162.80	158.55	155.15	150.20
24.5	.9646	.7495	8	2 5/8	10	3457245	3458245	3459245	162.55	-	-	-	-	-	-	-	-
25.0	.9843	.8745	8	2 3/4	10 1/2	3457250	3458250	3459250	162.55	24.690 - 25.476	200.50	175.40	166.95	162.80	158.55	155.15	150.20
25.5	1.0039	.8745	8	2 3/4	10 1/2	3457255	3458255	3459255	166.90	25.477 - 27.076	203.10	179.10	170.95	167.00	163.00	159.60	155.10
26.0	1.0236	.8745	8	2 3/4	10 1/2	3457260	3458260	3459260	166.90	-	-	-	-	-	-	-	-
27.0	1.0630	.8745	8	2 3/4	10 1/2	3457270	3458270	3459270	166.90	-	-	-	-	-	-	-	-
28.0	1.1024	.8745	8	2 7/8	11	3457280	3458280	3459280	179.35	27.077 - 28.651	215.65	191.65	183.50	179.50	175.55	172.15	167.55
29.0	1.1417	.9995	8	2 7/8	11	3457290	3458290	3459290	186.85	28.652 - 30.239	223.10	199.10	191.05	187.05	183.15	179.65	174.95
30.0	1.1811	.9995	8	2 7/8	11	3457300	3458300	3459300	186.85	-	-	-	-	-	-	-	-
31.0	1.2205	.9995	8	3	11 1/2	3457310	3458310	3459310	200.65	30.240 - 31.826	237.00	212.90	204.80	200.85	196.85	193.45	188.75
32.0	1.2598	.9995	8	3	11 1/2	3457320	3458320	3459320	205.75	31.827 - 33.414	241.95	218.00	210.00	206.00	201.95	198.55	193.90
33.0	1.2992	.9995	8	3	11 1/2	3457330	3458330	3459330	205.75	-	-	-	-	-	-	-	-
34.0	1.3386	.9995	8	3 1/4	12	3457340	3458340	3459340	218.35	33.415 - 35.001	254.65	230.60	222.60	218.60	214.60	211.15	206.55
35.0	1.3780	.9995	8	3 1/4	12	3457350	3458350	3459350	218.35	-	-	-	-	-	-	-	-
36.0	1.4173	.9995	8	3 1/4	12	3457360	3458360	3459360	235.15	35.002 - 36.589	271.40	247.40	239.30	235.35	231.30	227.95	223.35
37.0	1.4567	1.2495	8	3 1/2	12 1/2	3457370	3458370	3459370	241.60	36.590 - 38.176	277.80	253.75	245.75	241.75	237.75	234.30	229.70
38.0	1.4961	1.2495	8	3 1/2	12 1/2	3457380	3458380	3459380	241.60	-	-	-	-	-	-	-	-

CARBIDE TIPPED NAS 897 CHUCKING REAMERS

TYPE 3472 - TAPER SHANK - STRAIGHT FLUTES - FOR NON-FERROUS

TYPE 3473 - TAPER SHANK - STRAIGHT FLUTES - FOR CAST IRON

TYPE 3474 - TAPER SHANK - STRAIGHT FLUTES - FOR STEEL

Carbide tips brazed to one piece hardened alloy steel bodies. Straight polished flutes.

NAS 897 chucking reamers manufactured to national aerospace standards 897 C with partial flute length carbide. Tool geometry and carbide grade appropriate for material being machined.



For reamer tolerances and closer tolerance pricing, see page 60.

TOOL DIAMETER		MORSE TAPER NO.	NO. OF FLTS.	LENGTH			NON-FERR. TYPE 3472 EDP NO.	CAST IRON TYPE 3473 EDP NO.	STEEL TYPE 3474 EDP NO.	ALL TYPES PRICE	DECIMAL SIZE RANGE	PRICE EACH - FINISHED TO DECIMAL SIZE					
DEC.	FRACTION			FLT.	CARB.	OAL.						1 PC.	2 PC.	3 PC.	4 PC.	5-7	8-14*
.2500	1/4	1	4	1 1/2	1/2	6	347208	347308	347408	\$65.20	.2381 - .2530	\$109.20	\$87.20	\$79.85	\$76.30	\$72.65	\$69.65
.2812	9/32	1	4	1 1/2	1/2	6	347209	347309	347409	66.35	.2531 - .2840	110.35	88.30	80.95	77.40	73.70	70.65
.3125	5/16	1	4	1 1/2	1/2	6	347210	347310	347410	66.35	.2841 - .3150	110.35	88.30	80.95	77.40	73.70	70.65
.3438	11/32	1	4	1 1/2	5/8	6	347211	347311	347411	68.40	.3151 - .3470	112.40	90.40	82.95	79.45	75.75	72.80
.3750	3/8	1	4	1 3/4	5/8	7	347212	347312	347412	63.20	.3471 - .3780	103.50	83.40	76.55	73.30	69.90	67.15
.4062	13/32	1	4	1 3/4	5/8	7	347213	347313	347413	72.25	.3781 - .4090	116.25	94.15	86.90	83.40	79.60	76.65
.4375	7/16	1	6	1 3/4	5/8	7	347214	347314	347414	76.95	.4091 - .4410	121.00	99.00	91.65	88.00	84.20	81.25
.4688	15/32	1	6	1 3/4	5/8	7	347215	347315	347415	79.00	.4411 - .4720	123.00	101.00	93.65	90.10	86.30	83.40
.5000	1/2	1	6	2	5/8	8	347216	347316	347416	90.50	.4721 - .5030	138.90	114.65	106.50	102.70	98.55	95.20
.5312	17/32	1	6	2	5/8	8	347217	347317	347417	96.15	.5031 - .5340	144.60	120.30	112.10	108.40	104.20	100.90
.5625	9/16	1	6	2	5/8	8	347218	347318	347418	96.15	.5341 - .5660	144.60	120.30	112.10	108.40	104.20	100.90
.5938	19/32	1	6	2	5/8	8	347219	347319	347419	102.25	.5661 - .5970	150.70	126.45	118.35	114.40	110.35	107.05
.6250	5/8	2	6	2 1/4	5/8	9	347220	347320	347420	102.25	.5971 - .6280	150.70	126.45	118.35	114.40	110.35	107.05
.6562	21/32	2	6	2 1/4	5/8	9	347221	347321	347421	104.05	.6281 - .6590	152.50	128.15	120.00	116.05	111.95	108.70
.6875	11/16	2	6	2 1/4	5/8	9	347222	347322	347422	104.05	.6591 - .6910	152.50	128.15	120.00	116.05	111.95	108.70
.7188	23/32	2	6	2 1/4	5/8	9	347223	347323	347423	108.10	.6911 - .7220	156.55	132.30	124.20	120.30	116.05	112.85
.7500	3/4	2	6	2 1/2	3/4	9 1/2	347224	347324	347424	108.10	.7221 - .7530	156.55	132.30	124.20	120.30	116.05	112.85
.7812	25/32	2	6	2 1/2	3/4	9 1/2	347225	347325	347425	110.65	.7531 - .7840	159.15	134.90	126.75	122.90	118.70	115.45
.8125	13/16	2	6	2 1/2	3/4	9 1/2	347226	347326	347426	110.65	.7841 - .8160	159.15	134.90	126.75	122.90	118.70	115.45
.8438	27/32	2	6	2 1/2	3/4	9 1/2	347227	347327	347427	115.95	.8161 - .8470	164.60	140.25	132.15	128.20	124.05	120.85
.8750	7/8	2	6	2 5/8	3/4	10	347228	347328	347428	120.45	.8471 - .8780	170.75	145.50	137.10	133.05	128.75	125.30
.9062	29/32	2	6	2 5/8	3/4	10	347229	347329	347429	146.55	.8781 - .9090	196.85	171.60	163.15	159.25	154.85	151.50
.9375	15/16	3	8	2 5/8	3/4	10	347230	347330	347430	146.55	.9091 - .9410	196.85	171.60	163.15	159.25	154.85	151.50
.9688	31/32	3	8	2 5/8	3/4	10	347231	347331	347431	150.85	.9411 - .9720	201.15	175.95	167.55	163.55	159.25	155.80
1.0000	1	3	8	2 3/4	3/4	10 1/2	347232	347332	347432	150.85	.9721 - 1.0030	201.15	175.95	167.55	163.55	159.25	155.80
1.0625	1 1/16	3	8	2 3/4	3/4	10 1/2	347234	347334	347434	186.30	1.0031 - 1.0660	234.45	210.30	202.25	198.35	194.35	191.05
1.1250	1 1/8	3	8	2 7/8	7/8	11	347236	347336	347436	197.80	1.0661 - 1.1280	245.95	221.85	213.70	210.00	205.75	202.50
1.1875	1 3/16	3	8	2 7/8	7/8	11	347238	347338	347438	216.20	1.1281 - 1.1905	264.45	240.25	232.15	228.45	224.25	220.95
1.2500	1 1/4	4	8	3	7/8	11 1/2	347240	347340	347440	234.85	1.1906 - 1.2530	283.05	258.90	250.85	246.95	242.85	239.65
1.3125	1 5/16	4	8	3	7/8	11 1/2	347242	347342	347442	248.05	1.2531 - 1.3155	296.30	272.10	264.00	260.20	256.05	252.80
1.3750	1 3/8	4	8	3 1/4	7/8	12	347244	347344	347444	261.35	1.3156 - 1.3780	309.50	285.30	277.20	273.35	269.25	266.00
1.4375	1 7/16	4	8	3 1/4	7/8	12	347246	347346	347446	276.15	1.3781 - 1.4405	324.50	300.30	292.25	288.40	284.25	281.00
1.5000	1 1/2	4	8	3 1/2	7/8	12 1/2	347248	347348	347448	291.10	1.4406 - 1.5030	339.25	315.15	306.95	303.20	299.05	295.75
1.5625	1 9/16	4	8	3 1/2	7/8	12 1/2	347250	347350	347450	341.40	1.5031 - 1.5660	389.60	365.35	357.35	353.55	349.40	346.15
1.6250	1 5/8	4	8	3 3/4	7/8	13	347252	347352	347452	353.25	1.5661 - 1.6280	401.40	377.25	369.20	365.30	361.20	358.00
1.6875	1 11/16	4	8	3 3/4	7/8	13	347254	347354	347454	397.35	1.6281 - 1.6910	445.50	421.30	413.20	409.45	405.30	402.00
1.7500	1 3/4	4	10	4	7/8	13 1/2	347256	347356	347456	397.35	1.6911 - 1.7530	445.50	421.30	413.20	409.45	405.30	402.00
1.8125	1 13/16	4	10	4	7/8	13 1/2	347258	347358	347458	397.35	1.7531 - 1.8160	445.50	421.30	413.20	409.45	405.30	402.00
1.8750	1 7/8	4	10	4 1/4	7/8	14	347260	347360	347460	416.20	1.8161 - 1.8780	464.40	440.30	432.15	428.35	424.20	420.95
1.9375	1 15/16	4	10	4 1/4	7/8	14	347262	347362	347462	416.20	1.8781 - 1.9410	464.40	440.30	432.15	428.35	424.20	420.95
2.0000	2	4	12	4 1/4	7/8	14	347264	347364	347464	416.20	1.9411 - 2.0030	464.40	440.30	432.15	428.35	424.20	420.95

LEXINGTON CUTTER, INC. • sales@lexingtoncutter.com • Phone 800-882-2627 • Fax 800-882-3637

CARBIDE TIPPED NAS 897 CHUCKING REAMERS

TYPE 3453 - TAPER SHANK - STRAIGHT FLUTE LONG CARBIDE - FOR NON-FERROUS

TYPE 3454 - TAPER SHANK - STRAIGHT FLUTE LONG CARBIDE - FOR CAST IRON

TYPE 3455 - TAPER SHANK - STRAIGHT FLUTE LONG CARBIDE - FOR STEEL

Flute long carbide tips brazed to one piece alloy steel bodies. Straight polished flutes.

NAS 897 chucking reamers manufactured to national aerospace standards 897 C with flute long carbide. Tool geometry and carbide grade appropriate for material being machined.



For reamer tolerances and closer tolerance pricing, see page 60.

TOOL DIAMETER		MORSE TAPER	NO. OF FLTS.	LENGTH		NON-FERR. TYPE 3453 EDP NO.	CAST IRON TYPE 3454 EDP NO.	STEEL TYPE 3455 EDP NO.	ALL TYPES PRICE	DECIMAL SIZE RANGE	PRICE EACH - FINISHED TO DECIMAL SIZE					
DEC.	FRAC.			FLT.	OAL						1 PC.	2 PC.	3 PC.	4 PC.	5-7	8-14*
.2500	1/4	1	4	1 1/2	6	345308	345408	345508	\$77.90	.2381 - .2530	\$123.10	\$100.40	\$92.80	\$89.25	\$85.40	\$82.35
.2812	9/32	1	4	1 1/2	6	345309	345409	345509	79.10	.2531 - .2840	124.30	101.65	94.00	90.45	86.60	83.55
.3125	5/16	1	4	1 1/2	6	345310	345410	345510	79.10	.2841 - .3150	124.30	101.65	94.00	90.45	86.60	83.55
.3438	11/32	1	4	1 1/2	6	345311	345411	345511	80.90	.3151 - .3470	126.15	103.35	95.85	92.25	88.35	85.35
.3750	3/8	1	4	1 3/4	7	345312	345412	345512	81.70	.3471 - .3780	127.05	104.35	96.75	93.20	89.25	86.20
.4062	13/32	1	4	1 3/4	7	345313	345413	345513	86.05	.3781 - .4090	131.20	108.65	101.00	97.35	93.50	90.45
.4375	7/16	1	6	1 3/4	7	345314	345414	345514	91.70	.4091 - .4410	136.90	114.20	106.55	103.05	99.20	96.15
.4688	15/32	1	6	1 3/4	7	345315	345415	345515	93.55	.4411 - .4720	138.85	116.20	108.65	104.90	101.05	98.00
.5000	1/2	1	6	2	8	345316	345416	345516	100.75	.4721 - .5030	149.20	124.95	116.85	112.95	108.85	105.60
.5312	17/32	1	6	2	8	345317	345417	345517	110.50	.5031 - .5340	158.95	134.65	126.50	122.75	118.50	115.30
.5625	9/16	1	6	2	8	345318	345418	345518	110.50	.5341 - .5660	158.95	134.65	126.50	122.75	118.50	115.30
.5938	19/32	1	6	2	8	345319	345419	345519	115.60	.5661 - .5970	164.05	139.85	131.80	127.85	123.70	120.35
.6250	5/8	2	6	2 1/4	9	345320	345420	345520	115.60	.5971 - .6280	164.05	139.85	131.80	127.85	123.70	120.35
.6562	21/32	2	6	2 1/4	9	345321	345421	345521	117.85	.6281 - .6590	166.20	141.85	133.80	129.85	125.75	122.50
.6875	11/16	2	6	2 1/4	9	345322	345422	345522	117.85	.6591 - .6910	166.20	141.85	133.80	129.85	125.75	122.50
.7188	23/32	2	6	2 1/4	9	345323	345423	345523	119.40	.6911 - .7220	167.85	143.50	135.35	131.50	127.40	124.05
.7500	3/4	2	6	2 1/2	9 1/2	345324	345424	345524	123.25	.7221 - .7530	171.60	147.35	139.20	135.35	131.20	127.90
.7812	25/32	2	6	2 1/2	9 1/2	345325	345425	345525	124.20	.7531 - .7840	172.60	148.35	140.25	136.40	132.20	128.95
.8125	13/16	2	6	2 1/2	9 1/2	345326	345426	345526	126.90	.7841 - .8160	175.40	151.15	143.05	139.10	134.95	131.80
.8438	27/32	2	6	2 1/2	9 1/2	345327	345427	345527	132.45	.8161 - .8470	180.90	156.70	148.55	144.70	140.55	137.25
.8750	7/8	2	6	2 5/8	10	345328	345428	345528	137.40	.8471 - .8780	187.75	162.55	154.20	150.10	145.90	142.40
.9062	29/32	3	6	2 5/8	10	345329	345429	345529	161.45	.8781 - .9090	211.75	186.60	178.10	174.15	169.75	166.45
.9375	15/16	3	8	2 5/8	10	345330	345430	345530	161.45	.9091 - .9410	211.75	186.60	178.10	174.15	169.75	166.45
.9688	31/32	3	8	2 5/8	10	345331	345431	345531	168.00	.9411 - .9720	218.20	193.00	184.55	180.60	176.30	172.90
1.0000	1	3	8	2 3/4	10 1/2	345332	345432	345532	168.00	.9721 - 1.0030	218.20	193.00	184.55	180.60	176.30	172.90
1.0625	1 1/16	3	8	2 3/4	10 1/2	345334	345434	345534	214.15	1.0031 - 1.0660	262.30	238.25	230.15	226.25	222.15	218.80
1.1250	1 1/8	3	8	2 7/8	11	345336	345436	345536	227.50	1.0661 - 1.1280	275.80	251.70	243.50	239.75	235.50	232.30
1.1875	1 3/16	3	8	2 7/8	11	345338	345438	345538	248.80	1.1281 - 1.1905	297.00	272.75	264.75	260.80	256.80	253.55
1.2500	1 1/4	4	8	3	11 1/2	345340	345440	345540	269.95	1.1906 - 1.2530	318.10	294.00	285.95	282.05	277.90	274.70
1.3125	1 5/16	4	8	3	11 1/2	345342	345442	345542	285.20	1.2531 - 1.3155	333.40	309.25	301.10	297.40	293.15	289.90
1.3750	1 3/8	4	8	3 1/4	12	345344	345444	345544	301.70	1.3156 - 1.3780	349.80	325.75	317.65	313.80	309.65	306.35
1.4375	1 7/16	4	8	3 1/4	12	345346	345446	345546	317.60	1.3781 - 1.4405	365.80	341.60	333.55	329.75	325.50	322.25
1.5000	1 1/2	4	8	3 1/2	12 1/2	345348	345448	345548	334.70	1.4406 - 1.5030	382.95	358.75	350.65	346.90	342.75	339.45

Phone 941-739-2726 • Fax 941-739-2827 • www.lexingtoncutter.com • LEXINGTON CUTTER, INC.

*Quantities of 15 or more: price of fractional size in same size range.

Made in U.S.A.

CARBIDE TIPPED NAS 897 RIGHT SPIRAL CHUCKING REAMERS

TYPE 3442 - STRAIGHT SHANK - RIGHT SPIRAL FLUTE LONG CARBIDE - FOR NON-FERROUS

TYPE 3443 - STRAIGHT SHANK - RIGHT SPIRAL FLUTE LONG CARBIDE - FOR CAST IRON

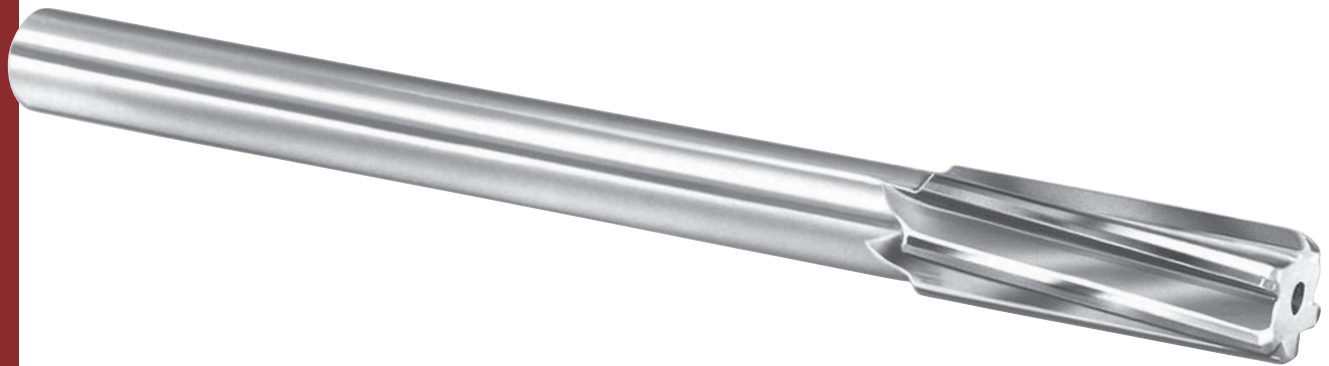
TYPE 3444 - STRAIGHT SHANK - RIGHT SPIRAL FLUTE LONG CARBIDE - FOR STEEL

Flute long carbide tips brazed to one piece hardened alloy steel bodies. Right spiral polished flutes.

Right spiral flutes have a greater chip clearing ability for use with ductile materials, highly abrasive materials or blind holes. Finishes are much better as spiral flutes tend to bridge interruptions such as keyways, slots or intersecting holes.

NAS 897 chucking reamers manufactured to national aerospace standards 897 C with flute long carbide. Tool geometry and carbide grade appropriate for material being machined.

For step reamers, see page 125. For longer overall length reamers, see page 120.



Shanks are ground to the next smallest shank diameter listed in NAS 897 if tool diameter is within .005" of shank diameter.

For reamer tolerances and closer tolerance pricing, see page 60.

TOOL DIAMETER		MAX SHANK DIAM.	NO. OF FLTS.	LENGTH		NON-FERR. TYPE 3442 EDP NO.	CAST IRON TYPE 3443 EDP NO.	STEEL TYPE 3444 EDP NO.	ALL TYPES PRICE	DECIMAL SIZE RANGE	PRICE EACH - FINISHED TO DECIMAL SIZE					
DECIMAL	FRACTION			FLT	OAL						1 PC.	2 PC.	3 PC.	4 PC.	5-7	8-14*
.3125	5/16	.2792	4	1 1/2	6	344210	344310	344410	\$86.15	.2841 - .3150	\$128.45	\$107.30	\$100.15	\$96.75	\$93.20	\$90.30
.3438	11/32	.2792	4	1 1/2	6	344211	344311	344411	94.90	.3151 - .3470	137.25	115.95	108.95	105.60	101.90	99.05
.3750	3/8	.3105	4	1 3/4	7	344212	344312	344412	95.70	.3471 - .3780	138.15	116.85	109.75	106.35	102.75	99.95
.4062	13/32	.3105	4	1 3/4	7	344213	344313	344413	100.00	.3781 - .4090	142.30	121.15	114.05	110.65	107.05	104.20
.4375	7/16	.3730	6	1 3/4	7	344214	344314	344414	103.90	.4091 - .4410	146.25	125.05	118.00	114.55	110.95	107.95
.4688	15/32	.3730	6	1 3/4	7	344215	344315	344415	110.50	.4411 - .4720	152.85	131.65	124.50	121.15	117.45	114.65
.5000	1/2	.4355	6	2	8	344216	344316	344416	119.15	.4721 - .5030	164.30	141.70	134.10	130.50	126.60	123.55
.5312	17/32	.4355	6	2	8	344217	344317	344417	122.60	.5031 - .5340	167.85	145.05	137.50	133.95	130.15	127.05
.5625	9/16	.4355	6	2	8	344218	344318	344418	122.60	.5341 - .5660	167.85	145.05	137.50	133.95	130.15	127.05
.5938	19/32	.4355	6	2	8	344219	344319	344419	126.20	.5661 - .5970	171.40	148.70	141.20	137.50	133.65	130.60
.6250	5/8	.5615	6	2 1/4	9	344220	344320	344420	126.20	.5971 - .6280	171.40	148.70	141.20	137.50	133.65	130.60
.6562	21/32	.5615	6	2 1/4	9	344221	344321	344421	130.20	.6281 - .6590	175.40	152.70	145.05	141.55	137.65	134.60
.6875	11/16	.5615	6	2 1/4	9	344222	344322	344422	138.15	.6591 - .6910	183.40	160.80	153.15	149.60	145.75	142.70
.7188	23/32	.5615	6	2 1/4	9	344223	344323	344423	140.30	.6911 - .7220	185.55	162.80	155.30	151.65	147.80	144.75
.7500	3/4	.6245	6	2 1/2	9 1/2	344224	344324	344424	142.40	.7221 - .7530	187.60	165.00	157.40	153.90	149.95	146.90
.7812	25/32	.6245	6	2 1/2	9 1/2	344225	344325	344425	146.25	.7531 - .7840	191.45	168.80	161.15	157.55	153.75	150.65
.8125	13/16	.6245	6	2 1/2	9 1/2	344226	344326	344426	146.25	.7841 - .8160	191.45	168.80	161.15	157.55	153.75	150.65
.8438	27/32	.6245	6	2 1/2	9 1/2	344227	344327	344427	154.10	.8161 - .8470	199.40	176.60	169.05	165.45	161.60	158.55
.8750	7/8	.7495	6	2 5/8	10	344228	344328	344428	160.00	.8471 - .8780	206.85	183.35	175.50	171.70	167.75	164.60
.9062	29/32	.7495	6	2 5/8	10	344229	344329	344429	186.30	.8781 - .9090	233.30	209.75	201.80	198.10	194.20	191.00
.9375	15/16	.7495	8	2 5/8	10	344230	344330	344430	186.30	.9091 - .9410	233.30	209.75	201.80	198.10	194.20	191.00
.9688	31/32	.7495	8	2 5/8	10	344231	344331	344431	195.35	.9411 - .9720	242.40	218.80	210.95	207.25	203.15	199.95
1.0000	1	.8745	8	2 3/4	10 1/2	344232	344332	344432	195.35	.9721 - 1.0030	242.40	218.80	210.95	207.25	203.15	199.95
1.0625	1 1/16	.8745	8	2 3/4	10 1/2	344234	344334	344434	229.65	1.0031 - 1.0660	276.70	253.00	245.25	241.50	237.45	234.25
1.1250	1 1/8	.8745	8	2 7/8	11	344236	344336	344436	236.75	1.0661 - 1.1280	283.75	260.20	252.30	248.65	244.55	241.45
1.1875	1 3/16	.9995	8	2 7/8	11	344238	344338	344438	248.85	1.1281 - 1.1905	295.85	272.30	264.50	260.65	256.65	253.55
1.2500	1 1/4	.9995	8	3	11 1/2	344240	344340	344440	263.35	1.1906 - 1.2530	310.30	286.85	278.90	275.20	271.15	268.00
1.3125	1 5/16	.9995	8	3	11 1/2	344242	344342	344442	291.40	1.2531 - 1.3155	338.35	314.85	306.95	303.25	299.15	296.00
1.3750	1 3/8	.9995	8	3 1/4	12	344244	344344	344444	319.30	1.3156 - 1.3780	366.20	342.65	334.85	331.00	327.05	323.90
1.4375	1 7/16	.9995	8	3 1/4	12	344246	344346	344446	338.30	1.3781 - 1.4405	385.15	361.65	353.80	350.15	346.05	342.90
1.5000	1 1/2	1.2495	8	3 1/2	12 1/2	344248	344348	344448	357.35	1.4406 - 1.5030	404.25	380.70	372.85	369.20	365.05	361.95

CARBIDE TIPPED NAS 897 LEFT SPIRAL CHUCKING REAMERS

TYPE 3482 - STRAIGHT SHANK - LEFT SPIRAL FLUTE LONG CARBIDE - FOR NON-FERROUS

TYPE 3483 - STRAIGHT SHANK - LEFT SPIRAL FLUTE LONG CARBIDE - FOR CAST IRON

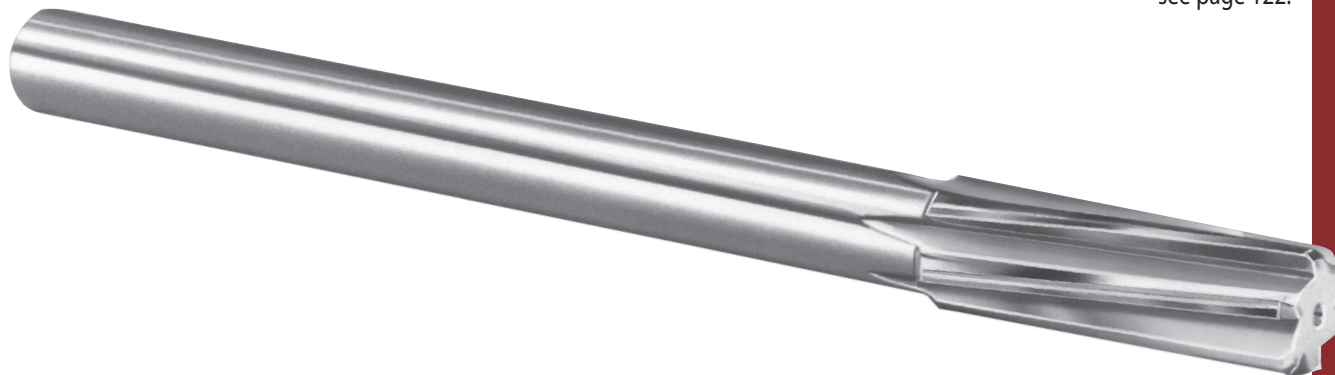
TYPE 3484 - STRAIGHT SHANK - LEFT SPIRAL FLUTE LONG CARBIDE - FOR STEEL

Flute long carbide tips brazed to one piece hardened alloy steel bodies. Left spiral polished flutes.

Left spiral flutes should only be used on through holes and very hard materials. Finishes are much better as spiral flutes tend to bridge interruptions such as keyways, slots or intersecting holes.

NAS 897 chucking reamers manufactured to national aerospace standards 897 C with flute long carbide. Tool geometry and carbide grade appropriate for material being machined.

For step reamers, see page 126. For longer overall length reamers, see page 122.



Shanks are ground to the next smallest shank diameter listed in NAS 897 if tool diameter is within .005" of shank diameter.

For reamer tolerances and closer tolerance pricing, see page 60.

TOOL DIAMETER		MAX SHANK DIAM.	NO. OF FLTS.	LENGTH		NON-FERR. TYPE 3482 EDP NO.	CAST IRON TYPE 3483 EDP NO.	STEEL TYPE 3484 EDP NO.	ALL TYPES PRICE	DECIMAL SIZE RANGE	PRICE EACH - FINISHED TO DECIMAL SIZE					
DECIMAL	FRACTIONAL			FLT	OAL						1 PC.	2 PC.	3 PC.	4 PC.	5-7	8-14*
.3125	5/16	.2792	4	1 1/2	6	348210	348310	348410	\$91.85	.2841 - .3150	\$137.10	\$114.35	\$106.90	\$103.20	\$99.35	\$96.30
.3438	11/32	.2792	4	1 1/2	6	348211	348311	348411	101.15	.3151 - .3470	146.40	123.75	116.20	112.55	108.70	105.65
.3750	3/8	.3105	4	1 3/4	7	348212	348312	348412	102.10	.3471 - .3780	147.35	124.75	117.10	113.45	109.60	106.50
.4062	13/32	.3105	4	1 3/4	7	348213	348313	348413	106.55	.3781 - .4090	151.80	129.25	121.60	118.05	114.10	111.10
.4375	7/16	.3730	6	1 3/4	7	348214	348314	348414	110.85	.4091 - .4410	155.95	133.40	125.75	122.20	118.25	115.30
.4688	15/32	.3730	6	1 3/4	7	348215	348315	348415	117.90	.4411 - .4720	163.15	140.40	132.75	129.25	125.30	122.30
.5000	1/2	.4355	6	2	8	348216	348316	348416	122.30	.4721 - .5030	168.80	145.50	137.70	134.00	129.90	126.80
.5312	17/32	.4355	6	2	8	348217	348317	348417	125.85	.5031 - .5340	172.30	149.00	141.30	137.50	133.55	130.45
.5625	9/16	.4355	6	2	8	348218	348318	348418	125.85	.5341 - .5660	172.30	149.00	141.30	137.50	133.55	130.45
.5938	19/32	.4355	6	2	8	348219	348319	348419	129.55	.5661 - .5970	176.00	152.70	144.90	141.30	137.25	134.10
.6250	5/8	.5615	6	2 1/4	9	348220	348320	348420	129.55	.5971 - .6280	176.00	152.70	144.90	141.30	137.25	134.10
.6562	21/32	.5615	6	2 1/4	9	348221	348321	348421	133.65	.6281 - .6590	180.10	156.85	149.00	145.35	141.35	138.15
.6875	11/16	.5615	6	2 1/4	9	348222	348322	348422	141.85	.6591 - .6910	188.30	165.10	157.25	153.65	149.60	146.40
.7188	23/32	.5615	6	2 1/4	9	348223	348323	348423	144.10	.6911 - .7220	190.45	167.15	159.45	155.75	151.75	148.60
.7500	3/4	.6245	6	2 1/2	9 1/2	348224	348324	348424	146.25	.7221 - .7530	192.70	169.45	161.60	157.90	153.95	150.85
.7812	25/32	.6245	6	2 1/2	9 1/2	348225	348325	348425	150.10	.7531 - .7840	196.55	173.35	165.45	161.90	157.80	154.65
.8125	13/16	.6245	6	2 1/2	9 1/2	348226	348326	348426	150.10	.7841 - .8160	196.55	173.35	165.45	161.90	157.80	154.65
.8438	27/32	.6245	6	2 1/2	9 1/2	348227	348327	348427	158.25	.8161 - .8470	204.65	181.35	173.55	169.85	165.90	162.70
.8750	7/8	.7495	6	2 5/8	10	348228	348328	348428	164.20	.8471 - .8780	212.35	188.25	180.15	176.30	172.15	168.90
.9062	29/32	.7495	6	2 5/8	10	348229	348329	348429	191.30	.8781 - .9090	239.45	215.35	207.25	203.45	199.30	196.05
.9375	15/16	.7495	8	2 5/8	10	348230	348330	348430	191.30	.9091 - .9410	239.45	215.35	207.25	203.45	199.30	196.05
.9688	31/32	.7495	8	2 5/8	10	348231	348331	348431	200.65	.9411 - .9720	248.85	224.70	216.65	212.80	208.65	205.45
1.0000	1	.8745	8	2 3/4	10 1/2	348232	348332	348432	200.65	.9721 - 1.0030	248.85	224.70	216.65	212.80	208.65	205.45
1.0625	1 1/16	.8745	8	2 3/4	10 1/2	348234	348334	348434	235.80	1.0031 - 1.0660	283.95	259.90	251.85	247.90	243.80	240.55
1.1250	1 1/8	.8745	8	2 7/8	11	348236	348336	348436	243.15	1.0661 - 1.1280	291.30	267.25	259.05	255.25	251.10	247.85
1.1875	1 3/16	.9995	8	2 7/8	11	348238	348338	348438	255.55	1.1281 - 1.1905	303.70	279.60	271.50	267.65	263.50	260.30
1.2500	1 1/4	.9995	8	3	11 1/2	348240	348340	348440	270.55	1.1906 - 1.2530	318.60	294.50	286.40	282.55	278.45	275.20
1.3125	1 5/16	.9995	8	3	11 1/2	348242	348342	348442	299.15	1.2531 - 1.3155	347.40	323.20	315.20	311.35	307.25	304.00
1.3750	1 3/8	.9995	8	3 1/4	12	348244	348344	348444	327.80	1.3156 - 1.3780	375.95	351.95	343.75	339.90	335.85	332.50
1.4375	1 7/16	.9995	8	3 1/4	12	348246	348346	348446	347.35	1.3781 - 1.4405	395.50	371.30	363.30	359.40	355.35	352.10
1.5000	1 1/2	1.2495	8	3 1/2	12 1/2	348248	348348	348448	366.85	1.4406 - 1.5030	415.05	390.95	382.95	379.00	374.95	371.75

Phone 941-739-2726 • Fax 941-739-2827 • www.lexingtoncutter.com • LEXINGTON CUTTER, INC.

*Quantities of 15 or more: price of fractional size in same size range.

CARBIDE TIPPED NAS 897 RIGHT SPIRAL CHUCKING REAMERS

TYPE 3432 - STRAIGHT SHANK - RIGHT SPIRAL FLUTES - FOR NON-FERROUS

TYPE 3436 - STRAIGHT SHANK - RIGHT SPIRAL FLUTES - FOR CAST IRON

TYPE 3438 - STRAIGHT SHANK - RIGHT SPIRAL FLUTES - FOR STEEL

Carbide tips brazed to one piece hardened alloy steel bodies. Right spiral polished flutes.

Right spiral flutes have a greater chip clearing ability for use in blind holes. Finishes are much better as spiral flutes tend to bridge interruptions such as keyways, slots or intersecting holes.

NAS 897 chucking reamers manufactured to national aerospace standards 897 C with partial flute length carbide. Tool geometry and carbide grade appropriate for material being machined.



Shanks are ground to the next smallest shank diameter listed in NAS 897 if tool diameter is within .005" of shank diameter.

For reamer tolerances and closer tolerance pricing, see page 60.

TOOL DIAMETER		MAX SHANK DIAM.	NO. OF FLTS.	LENGTH			NON-FERR. TYPE 3432 EDP NO.	CAST IRON TYPE 3436 EDP NO.	STEEL TYPE 3438 EDP NO.	ALL TYPES PRICE	DECIMAL SIZE RANGE	PRICE EACH - FINISHED TO DECIMAL SIZE					
DECIMAL	FRAC.			FLT	CARB	OAL						1 PC.	2 PC.	3 PC.	4 PC.	5-7	8-14*
.1875	3/16	.1805	4	1 1/8	1/2	4 1/2	343206	343606	343806	\$71.60	.1770 - .2040	\$114.05	\$92.80	\$85.65	\$82.30	\$78.60	\$75.85
.2188	7/32	.2075	4	1 1/4	1/2	5	343207	343607	343807	71.60	.2041 - .2210	114.05	92.80	85.65	82.30	78.60	75.85
.2344	15/64	.2265	4	1 1/2	1/2	6	34322344	34362344	34382344	71.60	.2211 - .2380	114.05	92.80	85.65	82.30	78.60	75.85
.2500	1/4	.2405	4	1 1/2	1/2	6	343208	343608	343808	71.60	.2381 - .2530	114.05	92.80	85.65	82.30	78.60	75.85
.2812	9/32	.2485	4	1 1/2	1/2	6	343209	343609	343809	71.75	.2531 - .2840	114.20	93.05	85.85	82.50	78.80	76.00
.3125	5/16	.2792	4	1 1/2	1/2	6	343210	343610	343810	71.75	.2841 - .3150	114.20	93.05	85.85	82.50	78.80	76.00
.3438	11/32	.2792	4	1 1/2	5/8	6	343211	343611	343811	79.10	.3151 - .3470	121.45	100.25	93.20	89.80	86.15	83.20
.3750	3/8	.3105	4	1 3/4	5/8	7	343212	343612	343812	79.75	.3471 - .3780	122.15	100.90	93.80	90.45	86.80	83.90
.4062	13/32	.3105	4	1 3/4	5/8	7	343213	343613	343813	83.40	.3781 - .4090	125.70	104.45	97.35	93.95	90.40	87.50
.4375	7/16	.3730	6	1 3/4	5/8	7	343214	343614	343814	86.60	.4091 - .4410	128.95	107.65	100.60	97.20	93.55	90.65
.4688	15/32	.3730	6	1 3/4	5/8	7	343215	343615	343815	92.10	.4411 - .4720	134.50	113.25	106.10	102.75	99.15	96.30
.5000	1/2	.4355	6	2	5/8	8	343216	343616	343816	99.20	.4721 - .5030	144.40	121.70	114.10	110.50	106.55	103.50
.5312	17/32	.4355	6	2	5/8	8	343217	343617	343817	102.10	.5031 - .5340	147.35	124.75	117.10	113.45	109.60	106.50
.5625	9/16	.4355	6	2	5/8	8	343218	343618	343818	102.10	.5341 - .5660	147.35	124.75	117.10	113.45	109.60	106.50
.5938	19/32	.4355	6	2	5/8	8	343219	343619	343819	105.35	.5661 - .5970	150.50	127.85	120.20	116.65	112.70	109.65
.6250	5/8	.5615	6	2 1/4	5/8	9	343220	343620	343820	105.35	.5971 - .6280	150.50	127.85	120.20	116.65	112.70	109.65
.6562	21/32	.5615	6	2 1/4	5/8	9	343221	343621	343821	108.50	.6281 - .6590	153.65	130.95	123.40	119.75	115.85	112.80
.6875	11/16	.5615	6	2 1/4	5/8	9	343222	343622	343822	115.30	.6591 - .6910	160.50	137.80	130.30	126.60	122.75	119.70
.7188	23/32	.5615	6	2 1/4	5/8	9	343223	343623	343823	117.00	.6911 - .7220	162.20	139.55	132.00	128.35	124.50	121.45
.7500	3/4	.6245	6	2 1/2	3/4	9 1/2	343224	343624	343824	118.65	.7221 - .7530	163.90	141.30	133.65	130.15	126.20	123.10
.7812	25/32	.6245	6	2 1/2	3/4	9 1/2	343225	343625	343825	121.90	.7531 - .7840	167.10	144.45	136.90	133.35	129.40	126.35
.8125	13/16	.6245	6	2 1/2	3/4	9 1/2	343226	343626	343826	121.90	.7841 - .8160	167.10	144.45	136.90	133.35	129.40	126.35
.8438	27/32	.6245	6	2 1/2	3/4	9 1/2	343227	343627	343827	128.35	.8161 - .8470	173.55	151.00	143.35	139.80	135.85	132.75
.8750	7/8	.7495	6	2 5/8	3/4	10	343228	343628	343828	133.25	.8471 - .8780	180.15	156.70	148.85	145.00	141.00	137.80
.9062	29/32	.7495	6	2 5/8	3/4	10	343229	343629	343829	155.25	.8781 - .9090	202.20	178.60	170.75	167.00	163.00	159.90
.9375	15/16	.7495	8	2 5/8	3/4	10	343230	343630	343830	155.25	.9091 - .9410	202.20	178.60	170.75	167.00	163.00	159.90
.9688	31/32	.7495	8	2 5/8	3/4	10	343231	343631	343831	162.80	.9411 - .9720	209.75	186.25	178.30	174.60	170.50	167.30
1.0000	1	.8745	8	2 3/4	3/4	10 1/2	343232	343632	343832	162.80	.9721 - 1.0030	209.75	186.25	178.30	174.60	170.50	167.30
1.0625	1 1/16	.8745	8	2 3/4	3/4	10 1/2	343234	343634	343834	174.65	1.0031 - 1.0660	221.65	198.10	190.25	186.55	182.45	179.25
1.1250	1 1/8	.8745	8	2 7/8	7/8	11	343236	343636	343836	180.10	1.0661 - 1.1280	227.05	203.45	195.65	191.90	187.85	184.60
1.1875	1 3/16	.9995	8	2 7/8	7/8	11	343238	343638	343838	189.20	1.1281 - 1.1905	236.10	212.60	204.70	201.00	196.95	193.75
1.2500	1 1/4	.9995	8	3	7/8	11 1/2	343240	343640	343840	200.35	1.1906 - 1.2530	247.30	223.80	215.90	212.05	208.15	204.95
1.3125	1 5/16	.9995	8	3	7/8	11 1/2	343242	343642	343842	221.65	1.2531 - 1.3155	268.55	245.00	237.20	233.45	229.45	226.25
1.3750	1 3/8	.9995	8	3 1/4	7/8	12	343244	343644	343844	242.70	1.3156 - 1.3780	289.70	266.25	258.30	254.50	250.50	247.40
1.4375	1 7/16	.9995	8	3 1/4	7/8	12	343246	343646	343846	257.25	1.3781 - 1.4405	304.15	280.60	272.75	269.05	264.95	261.80
1.5000	1 1/2	1.2495	8	3 1/2	7/8	12 1/2	343248	343648	343848	271.70	1.4406 - 1.5030	318.60	295.10	287.25	283.50	279.45	276.25

CARBIDE TIPPED NAS 897 LEFT SPIRAL CHUCKING REAMERS

TYPE 3433 - STRAIGHT SHANK - LEFT SPIRAL FLUTES - FOR NON-FERROUS

TYPE 3437 - STRAIGHT SHANK - LEFT SPIRAL FLUTES - FOR CAST IRON

TYPE 3439 - STRAIGHT SHANK - LEFT SPIRAL FLUTES - FOR STEEL

Carbide tips brazed to one piece hardened alloy steel bodies. Left spiral polished flutes.

Left spiral flutes should only be used on through holes and very hard materials.

Finishes are much better as spiral flutes tend to bridge interruptions such as keyways, slots or intersecting holes.

NAS 897 chucking reamers manufactured to national aerospace standards 897 C with partial flute length carbide. Tool geometry and carbide grade appropriate for material being machined.



Shanks are ground to the next smallest shank diameter listed in NAS 897 if tool diameter is within .005" of shank diameter.

For reamer tolerances and closer tolerance pricing, see page 60.

TOOL DIAMETER		MAX SHANK DIAM.	NO. OF FLTS.	LENGTH			NON-FERR. TYPE 3433 EDP NO.	CAST IRON TYPE 3437 EDP NO.	STEEL TYPE 3439 EDP NO.	ALL TYPES PRICE	DECIMAL SIZE RANGE	PRICE EACH - FINISHED TO DECIMAL SIZE					
DECIMAL	FRACTIONAL			FLT.	CARB.	OAL						1 PC.	2 PC.	3 PC.	4 PC.	5-7	8-14*
.1875	3/16	.1805	4	1 1/8	1/2	4 1/2	343306	343706	343906	\$76.35	.1770 -.2040	\$121.60	\$99.00	\$91.40	\$87.80	\$83.90	\$80.90
.2188	7/32	.2075	4	1 1/4	1/2	5	343307	343707	343907	76.35	.2041 -.2210	121.60	99.00	91.40	87.80	83.90	80.90
.2344	15/64	.2265	4	1 1/2	1/2	6	34332344	34372344	34392344	76.35	.2211 -.2380	121.60	99.00	91.40	87.80	83.90	80.90
.2500	1/4	.2405	4	1 1/2	1/2	6	343308	343708	343908	76.35	.2381 -.2530	121.60	99.00	91.40	87.80	83.90	80.90
.2812	9/32	.2485	4	1 1/2	1/2	6	343309	343709	343909	76.55	.2531 -.2840	121.85	99.20	91.65	87.95	84.05	81.05
.3125	5/16	.2792	4	1 1/2	1/2	6	343310	343710	343910	76.55	.2841 -.3150	121.85	99.20	91.65	87.95	84.05	81.05
.3438	11/32	.2792	4	1 1/2	5/8	6	343311	343711	343911	84.30	.3151 -.3470	129.55	107.00	99.35	95.70	91.85	88.80
.3750	3/8	.3105	4	1 3/4	5/8	7	343312	343712	343912	85.10	.3471 -.3780	130.35	107.65	100.10	96.45	92.55	89.50
.4062	13/32	.3105	4	1 3/4	5/8	7	343313	343713	343913	88.90	.3781 -.4090	134.10	111.50	103.90	100.25	96.40	93.35
.4375	7/16	.3730	6	1 3/4	5/8	7	343314	343714	343914	92.30	.4091 -.4410	137.50	114.85	107.30	103.75	99.70	96.75
.4688	15/32	.3730	6	1 3/4	5/8	7	343315	343715	343915	98.15	.4411 -.4720	143.45	120.85	113.25	109.60	105.75	102.70
.5000	1/2	.4355	6	2	5/8	8	343316	343716	343916	101.80	.4721 -.5030	148.25	124.95	117.15	113.45	109.50	106.35
.5312	17/32	.4355	6	2	5/8	8	343317	343717	343917	104.85	.5031 -.5340	151.30	128.00	120.20	116.55	112.55	109.35
.5625	9/16	.4355	6	2	5/8	8	343318	343718	343918	104.85	.5341 -.5660	151.30	128.00	120.20	116.55	112.55	109.35
.5938	19/32	.4355	6	2	5/8	8	343319	343719	343919	108.10	.5661 -.5970	154.50	131.20	123.45	119.75	115.75	112.65
.6250	5/8	.5615	6	2 1/4	5/8	9	343320	343720	343920	108.10	.5971 -.6280	154.50	131.20	123.45	119.75	115.75	112.65
.6562	21/32	.5615	6	2 1/4	5/8	9	343321	343721	343921	111.30	.6281 -.6590	157.75	134.45	126.65	122.95	118.95	115.85
.6875	11/16	.5615	6	2 1/4	5/8	9	343322	343722	343922	118.35	.6591 -.6910	164.80	141.55	133.70	129.90	126.05	122.90
.7188	23/32	.5615	6	2 1/4	5/8	9	343323	343723	343923	120.15	.6911 -.7220	166.60	143.30	135.50	131.85	127.85	124.75
.7500	3/4	.6245	6	2 1/2	3/4	9 1/2	343324	343724	343924	121.85	.7221 -.7530	168.30	145.00	137.25	133.55	129.55	126.45
.7812	25/32	.6245	6	2 1/2	3/4	9 1/2	343325	343725	343925	125.20	.7531 -.7840	171.60	148.35	140.55	136.80	132.90	129.70
.8125	13/16	.6245	6	2 1/2	3/4	9 1/2	343326	343726	343926	125.20	.7841 -.8160	171.60	148.35	140.55	136.80	132.90	129.70
.8438	27/32	.6245	6	2 1/2	3/4	9 1/2	343327	343727	343927	131.85	.8161 -.8470	178.30	155.10	147.15	143.50	139.50	136.40
.8750	7/8	.7495	6	2 5/8	3/4	10	343328	343728	343928	136.80	.8471 -.8780	185.05	160.85	152.70	149.00	144.75	141.50
.9062	29/32	.7495	6	2 5/8	3/4	10	343329	343729	343929	159.40	.8781 -.9090	207.55	183.40	175.40	171.50	167.30	164.05
.9375	15/16	.7495	8	2 5/8	3/4	10	343330	343730	343930	159.40	.9091 -.9410	207.55	183.40	175.40	171.50	167.30	164.05
.9688	31/32	.7495	8	2 5/8	3/4	10	343331	343731	343931	167.10	.9411 -.9720	215.35	191.20	183.20	179.25	175.10	171.90
1.0000	1	.8745	8	2 3/4	3/4	10 1/2	343332	343732	343932	167.10	.9721 -1.0030	215.35	191.20	183.20	179.25	175.10	171.90
1.0625	1 1/16	.8745	8	2 3/4	3/4	10 1/2	343334	343734	343934	179.35	1.0031 -1.0660	227.50	203.45	195.30	191.45	187.35	184.10
1.1250	1 1/8	.8745	8	2 7/8	7/8	11	343336	343736	343936	184.90	1.0661 -1.1280	233.15	208.95	200.85	197.00	192.90	189.65
1.1875	1 3/16	.9995	8	2 7/8	7/8	11	343338	343738	343938	194.35	1.1281 -1.1905	242.50	218.30	210.20	206.35	202.25	199.00
1.2500	1 1/4	.9995	8	3	7/8	11 1/2	343340	343740	343940	205.70	1.1906 -1.2530	253.85	229.70	221.65	217.85	213.60	210.35
1.3125	1 5/16	.9995	8	3	7/8	11 1/2	343342	343742	343942	227.50	1.2531 -1.3155	275.80	251.70	243.50	239.75	235.50	232.30
1.3750	1 3/8	.9995	8	3 1/4	7/8	12	343344	343744	343944	249.25	1.3156 -1.3780	297.45	273.30	265.20	261.40	257.25	254.00
1.4375	1 7/16	.9995	8	3 1/4	7/8	12	343346	343746	343946	264.15	1.3781 -1.4405	312.25	288.20	280.10	276.15	272.10	268.90
1.5000	1 1/2	1.2495	8	3 1/2	7/8	12 1/2	343348	343748	343948	279.05	1.4406 -1.5030	327.20	303.05	294.95	291.15	287.00	283.75

Phone 941-739-2726 • Fax 941-739-2827 • www.lexingtoncutter.com • LEXINGTON CUTTER, INC.

*Quantities of 15 or more: price of fractional size in same size range.

CARBIDE TIPPED NAS 897 EXPANSION CHUCKING REAMERS

TYPE 3464 - STRAIGHT SHANK - STRAIGHT FLUTE LONG CARBIDE - FOR NON-FERROUS

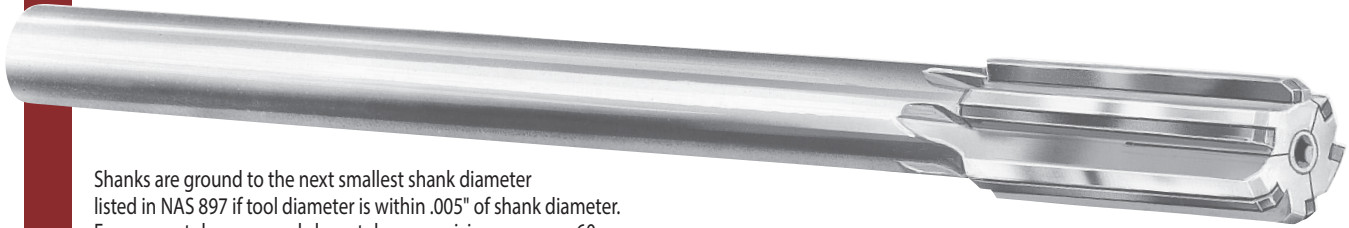
TYPE 3466 - STRAIGHT SHANK - STRAIGHT FLUTE LONG CARBIDE - FOR CAST IRON

TYPE 3468 - STRAIGHT SHANK - STRAIGHT FLUTE LONG CARBIDE - FOR STEEL

Flute long carbide tips brazed to one piece alloy steel bodies. Straight polished flutes. Tool geometry and carbide grade appropriate for material being machined.

NAS 897 expansion reamers manufactured to national aerospace standards 897 C. Designed and manufactured for maximum tool life. Expansion reamers are recommended for reaming abrasive materials and as the diameter wears down, the reamer can be expanded many times by tightening the end adjusting screw and regrinding to its original size. Expansion reamers should not be considered adjustable for use in producing holes of several sizes.

TOOL DIAMETER	MINIMUM EXPANSION
5/16" - 15/32"	.006"
1/2" - 31/32"	.010"
1" - 1 1/2"	.013"
1 9/16" - 2 1/2"	.015"



Shanks are ground to the next smallest shank diameter listed in NAS 897 if tool diameter is within .005" of shank diameter. For reamer tolerances and closer tolerance pricing, see page 60.

TOOL DIAMETER		MAX SHANK DIAM.	NO. OF FLTS.	LENGTH		NON-FERR. TYPE 3464 EDP NO.	CAST IRON TYPE 3466 EDP NO.	STEEL TYPE 3468 EDP NO.	ALL TYPES PRICE	DECIMAL SIZE RANGE	PRICE EACH - FINISHED TO DECIMAL SIZE					
DECIMAL	FRACTION			FLT.	OAL						1 PC.	2 PC.	3 PC.	4 PC.	5-7	8-14*
.3125	5/16	.2792	4	1	6	346410	346610	346810	\$104.40	.2841 - .3150	\$149.65	\$127.05	\$119.45	\$115.75	\$111.90	\$108.85
.3438	11/32	.2792	4	1	6	346411	346611	346811	104.40	.3151 - .3470	149.65	127.05	119.45	115.75	111.90	108.85
.3750	3/8	.3105	4	1	7	346412	346612	346812	98.60	.3471 - .3780	140.90	119.75	112.65	109.20	105.65	102.75
.4062	13/32	.3105	4	1	7	346413	346613	346813	103.90	.3781 - .4090	146.25	125.05	118.00	114.55	110.95	107.95
.4375	7/16	.3730	6	1	7	346414	346614	346814	103.90	.4091 - .4410	146.25	125.05	118.00	114.55	110.95	107.95
.4688	15/32	.3730	6	1	7	346415	346615	346815	110.05	.4411 - .4720	152.50	131.20	124.15	120.80	117.10	114.20
.5000	1/2	.4355	6	1	8	346416	346616	346816	110.05	.4721 - .5030	152.50	131.20	124.15	120.80	117.10	114.20
.5312	17/32	.4355	6	1	8	346417	346617	346817	112.85	.5031 - .5340	155.35	134.00	126.90	123.55	119.90	117.10
.5625	9/16	.4355	6	1 1/8	8	346418	346618	346818	112.85	.5341 - .5660	155.35	134.00	126.90	123.55	119.90	117.10
.5938	19/32	.4355	6	1 1/8	8	346419	346619	346819	117.85	.5661 - .5970	160.10	138.90	131.85	128.35	124.80	121.90
.6250	5/8	.5615	6	1 1/4	9	346420	346620	346820	117.85	.5971 - .6280	160.10	138.90	131.85	128.35	124.80	121.90
.6562	21/32	.5615	6	1 1/4	9	346421	346621	346821	128.80	.6281 - .6590	171.20	149.90	142.85	139.35	135.80	132.95
.6875	11/16	.5615	6	1 1/4	9	346422	346622	346822	128.80	.6591 - .6910	171.20	149.90	142.85	139.35	135.80	132.95
.7188	23/32	.5615	6	1 1/4	9	346423	346623	346823	133.65	.6911 - .7220	176.10	154.70	147.65	144.30	140.60	137.70
.7500	3/4	.6245	6	1 3/8	9 1/2	346424	346624	346824	133.65	.7221 - .7530	176.10	154.70	147.65	144.30	140.60	137.70
.7812	25/32	.6245	6	1 3/8	9 1/2	346425	346625	346825	144.00	.7531 - .7840	186.45	165.15	158.05	154.65	151.05	148.20
.8125	13/16	.6245	6	1 3/8	9 1/2	346426	346626	346826	144.00	.7841 - .8160	186.45	165.15	158.05	154.65	151.05	148.20
.8438	27/32	.6245	6	1 3/8	9 1/2	346427	346627	346827	149.65	.8161 - .8470	192.10	170.80	163.70	160.25	156.70	153.90
.8750	7/8	.7495	6	1 1/2	10	346428	346628	346828	155.30	.8471 - .8780	199.40	177.25	169.85	166.35	162.55	159.60
.9062	29/32	.7495	6	1 1/2	10	346429	346629	346829	165.30	.8781 - .9090	209.25	187.30	179.85	176.35	172.60	169.60
.9375	15/16	.7495	8	1 1/2	10	346430	346630	346830	165.30	.9091 - .9410	209.25	187.30	179.85	176.35	172.60	169.60
.9688	31/32	.7495	8	1 1/2	10	346431	346631	346831	171.60	.9411 - .9720	215.70	193.65	186.30	182.75	178.95	176.00
1.0000	1	.8745	8	1 5/8	10 1/2	346432	346632	346832	171.60	.9721 - 1.0030	215.70	193.65	186.30	182.75	178.95	176.00
1.0312	1 1/32	.8745	8	1 5/8	10 1/2	346433	346633	346833	188.25	-	-	-	-	-	-	
1.0625	1 1/16	.8745	8	1 5/8	10 1/2	346434	346634	346834	188.25	1.0031 - 1.0660	232.15	210.15	202.80	199.30	195.45	192.55
1.0938	1 1/32	.8745	8	1 3/4	11	346435	346635	346835	188.25	-	-	-	-	-	-	
1.1250	1 1/8	.8745	8	1 3/4	11	346436	346636	346836	188.25	1.0661 - 1.1280	232.15	210.15	202.80	199.30	195.45	192.55
1.1875	1 3/16	.9995	8	1 3/4	11	346438	346638	346838	205.45	1.1281 - 1.1905	249.45	227.35	220.00	216.50	212.65	209.85
1.2500	1 1/4	.9995	8	1 7/8	11 1/2	346440	346640	346840	205.45	1.1906 - 1.2530	249.45	227.35	220.00	216.50	212.65	209.85
1.3125	1 5/16	.9995	8	1 7/8	11 1/2	346442	346642	346842	226.90	1.2531 - 1.3155	270.85	248.80	241.45	237.95	234.10	231.15
1.3750	1 3/8	.9995	8	2	12	346444	346644	346844	238.40	1.3156 - 1.3780	282.50	260.45	253.00	249.55	245.80	242.80
1.4375	1 7/16	.9995	8	2	12	346446	346646	346846	280.90	1.3781 - 1.4405	327.90	304.35	296.50	292.80	288.70	285.50
1.5000	1 1/2	1.2495	8	2 1/8	12 1/2	346448	346648	346848	288.85	1.4406 - 1.5030	335.90	312.25	304.45	300.75	296.65	293.55
1.5625	1 9/16	1.2495	8	2 1/8	12 1/2	346450	346650	346850	379.55	1.5031 - 1.5660	426.50	403.00	395.10	391.35	387.30	384.05
1.6250	1 5/8	1.2495	8	2 1/4	13	346452	346652	346852	379.55	1.5661 - 1.6280	426.50	403.00	395.10	391.35	387.30	384.05
1.6875	1 11/16	1.2495	8	2 1/4	13	346454	346654	346854	420.25	1.6281 - 1.6910	467.25	443.80	435.90	432.05	428.05	424.95
1.7500	1 3/4	1.2495	10	2 3/8	13 1/2	346456	346656	346856	420.25	1.6911 - 1.7530	467.25	443.80	435.90	432.05	428.05	424.95
1.8125	1 13/16	1.4995	10	2 3/8	13 1/2	346458	346658	346858	497.65	1.7531 - 1.8160	544.65	521.05	513.25	509.55	505.45	502.25
1.8750	1 7/8	1.4995	10	2 1/2	14	346460	346660	346860	497.65	1.8161 - 1.8780	544.65	521.05	513.25	509.55	505.45	502.25
1.9375	1 15/16	1.4995	10	2 1/2	14	346462	346662	346862	543.80	1.8781 - 1.9410	590.65	567.20	559.30	555.60	551.60	548.40
2.0000	2	1.4995	12	2 1/2	14	346464	346664	346864	543.80	1.9411 - 2.0030	590.65	567.20	559.30	555.60	551.60	548.40

LEXINGTON CUTTER, INC. • sales@lexingtoncutter.com • Phone 800-882-2627 • Fax 800-882-3637

CARBIDE TIPPED NAS 897 EXPANSION CHUCKING REAMERS

TYPE 3461 - TAPER SHANK - STRAIGHT FLUTE LONG CARBIDE - FOR NON-FERROUS
TYPE 3462 - TAPER SHANK - STRAIGHT FLUTE LONG CARBIDE - FOR CAST IRON
TYPE 3463 - TAPER SHANK - STRAIGHT FLUTE LONG CARBIDE - FOR STEEL

Flute long carbide tips brazed to one piece alloy steel bodies. Straight polished flutes.
 Tool geometry and carbide grade appropriate for material being machined.

NAS 897 expansion reamers manufactured to national aerospace standards 897 C. Designed and manufactured for maximum tool life. Expansion reamers are recommended for reaming abrasive materials and as the diameter wears down, the reamer can be expanded many times by tightening the end adjusting screw and regrinding to its original size. Expansion reamers should not be considered adjustable for use in producing holes of several sizes.

TOOL DIAMETER	MINIMUM EXPANSION
5/16" - 15/32"	.006"
1/2" - 31/32"	.010"
1" - 1 1/2"	.013"
1 9/16" - 2 1/2"	.015"



For reamer tolerances and closer tolerance pricing, see page 60.

TOOL DIAMETER		MORSE TAPER	NO. OF FLTS.	LENGTH		NON-FERR. TYPE 3461 EDP NO.	CAST IRON TYPE 3462 EDP NO.	STEEL TYPE 3463 EDP NO.	ALL TYPES PRICE	DECIMAL SIZE RANGE	PRICE EACH - FINISHED TO DECIMAL SIZE					
DECIMAL	FRACTIONAL			FLT.	OAL						1 PC.	2 PC.	3 PC.	4 PC.	5-7	8-14*
.3750	3/8	1	4	1	7	346112	346212	346312	\$110.35	.3471 - .3780	\$152.70	\$131.50	\$124.35	\$121.00	\$117.30	\$114.40
.4062	13/32	1	4	1	7	346113	346213	346313	111.95	.3781 - .4090	154.35	133.10	126.05	122.65	118.95	116.05
.4375	7/16	1	6	1	7	346114	346214	346314	113.65	.4091 - .4410	155.95	134.75	127.70	124.30	120.65	117.85
.4688	15/32	1	6	1	7	346115	346215	346315	118.50	.4411 - .4720	160.95	139.80	132.50	129.20	125.55	122.75
.5000	1/2	1	6	1	8	346116	346216	346316	119.30	.4721 - .5030	161.60	140.40	133.35	129.85	126.30	123.40
.5312	17/32	1	6	1	8	346117	346217	346317	122.95	.5031 - .5340	165.30	144.10	137.05	133.65	129.90	127.10
.5625	9/16	1	6	1 1/8	8	346118	346218	346318	122.95	.5341 - .5660	165.30	144.10	137.05	133.65	129.90	127.10
.5938	19/32	1	6	1 1/8	8	346119	346219	346319	127.60	.5661 - .5970	169.90	148.70	141.65	138.25	134.60	131.80
.6250	5/8	2	6	1 1/4	9	346120	346220	346320	127.90	.5971 - .6280	170.30	149.05	141.95	138.60	134.95	132.10
.6562	21/32	2	6	1 1/4	9	346121	346221	346321	138.90	.6281 - .6590	181.35	160.05	152.95	149.60	145.95	143.05
.6875	11/16	2	6	1 1/4	9	346122	346222	346322	139.25	.6591 - .6910	181.80	160.55	153.30	149.95	146.30	143.50
.7188	23/32	2	6	1 1/4	9	346123	346223	346323	144.40	.6911 - .7220	186.85	165.45	158.40	155.10	151.35	148.55
.7500	3/4	2	6	1 3/8	9 1/2	346124	346224	346324	144.40	.7221 - .7530	186.85	165.45	158.40	155.10	151.35	148.55
.7812	25/32	2	6	1 3/8	9 1/2	346125	346225	346325	154.95	.7531 - .7840	197.35	176.15	168.95	165.60	162.00	159.15
.8125	13/16	2	6	1 3/8	9 1/2	346126	346226	346326	154.95	.7841 - .8160	197.35	176.15	168.95	165.60	162.00	159.15
.8438	27/32	2	6	1 3/8	9 1/2	346127	346227	346327	161.40	.8161 - .8470	203.85	182.55	175.40	172.00	168.35	165.45
.8750	7/8	2	6	1 1/2	10	346128	346228	346328	167.40	.8471 - .8780	211.55	189.45	182.00	178.55	174.75	171.70
.9062	29/32	2	6	1 1/2	10	346129	346229	346329	176.35	.8781 - .9090	220.30	198.25	191.00	187.45	183.65	180.70
.9375	15/16	3	8	1 1/2	10	346130	346230	346330	177.25	.9091 - .9410	221.25	199.30	191.90	188.40	184.55	181.65
.9688	31/32	3	8	1 1/2	10	346131	346231	346331	183.55	.9411 - .9720	227.50	205.55	198.10	194.65	190.85	187.85
1.0000	1	3	8	1 5/8	10 1/2	346132	346232	346332	183.55	.9721 - 1.0030	227.50	205.55	198.10	194.65	190.85	187.85
1.0312	1 1/32	3	8	1 5/8	10 1/2	346133	346233	346333	195.20	-	-	-	-	-	-	
1.0625	1 1/16	3	8	1 5/8	10 1/2	346134	346234	346334	195.20	1.0031 - 1.0660	239.30	217.20	209.90	206.35	202.55	199.60
1.0938	1 3/32	3	8	1 3/4	11	346135	346235	346335	201.00	-	-	-	-	-	-	
1.1250	1 1/8	3	8	1 3/4	11	346136	346236	346336	201.00	1.0661 - 1.1280	244.95	222.90	215.50	212.00	208.30	205.25
1.1875	1 3/16	3	8	1 3/4	11	346138	346238	346338	214.45	1.1281 - 1.1905	258.50	236.40	229.00	225.50	221.70	218.75
1.2500	1 1/4	4	8	1 7/8	11 1/2	346140	346240	346340	229.00	1.1906 - 1.2530	273.05	250.95	243.50	240.05	236.35	233.35
1.3125	1 5/16	4	8	1 7/8	11 1/2	346142	346242	346342	237.60	1.2531 - 1.3155	281.65	259.65	252.20	248.70	244.95	241.90
1.3750	1 3/8	4	8	2	12	346144	346244	346344	263.50	1.3156 - 1.3780	307.55	285.50	278.25	274.70	270.85	267.95
1.4375	1 7/16	4	8	2	12	346146	346246	346346	292.05	1.3781 - 1.4405	339.10	315.40	307.65	303.90	299.85	296.65
1.5000	1 1/2	4	8	2 1/8	12 1/2	346148	346248	346348	300.90	1.4406 - 1.5030	347.85	324.25	316.45	312.75	308.65	305.55
1.5625	1 9/16	4	8	2 1/8	12 1/2	346150	346250	346350	421.60	1.5031 - 1.5660	468.55	445.00	437.05	433.40	429.40	426.20
1.6250	1 5/8	4	8	2 1/4	13	346152	346252	346352	421.60	1.5661 - 1.6280	468.55	445.00	437.05	433.40	429.40	426.20
1.6875	1 11/16	4	8	2 1/4	13	346154	346254	346354	467.10	1.6281 - 1.6910	514.05	490.45	482.60	478.90	474.90	471.70
1.7500	1 3/4	4	10	2 3/8	13 1/2	346156	346256	346356	467.10	1.6911 - 1.7530	514.05	490.45	482.60	478.90	474.90	471.70
1.8125	1 13/16	4	10	2 3/8	13 1/2	346158	346258	346358	553.00	1.7531 - 1.8160	600.00	576.55	568.60	564.80	560.80	557.70
1.8750	1 7/8	4	10	2 1/2	14	346160	346260	346360	553.00	1.8161 - 1.8780	600.00	576.55	568.60	564.80	560.80	557.70
1.9375	1 15/16	4	10	2 1/2	14	346162	346262	346362	604.00	1.8781 - 1.9410	650.90	627.35	619.50	615.80	611.80	608.60
2.0000	2	4	12	2 1/2	14	346164	346264	346364	604.00	1.9411 - 2.0030	650.90	627.35	619.50	615.80	611.80	608.60

Phone 941-739-2726 • Fax 941-739-2827 • www.lexingtoncutter.com • LEXINGTON CUTTER, INC.

*Quantities of 15 or more: price of fractional size in same size range.

CARBIDE TIPPED h6 SHANK REAMER - CENTER FED COOLANT

TYPE 3414h6 - STRAIGHT SHANK & FLUTES - BLIND HOLES - FOR NON-FERROUS

TYPE 3424h6 - STRAIGHT SHANK & FLUTES - BLIND HOLES - FOR CAST IRON

TYPE 3434h6 - STRAIGHT SHANK & FLUTES - BLIND HOLES - FOR STEEL

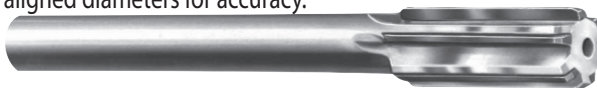
Flute long carbide tips brazed to one piece hardened alloy steel bodies. Straight polished flutes. Material specific geometry and carbide grade for the ultimate in performance and tool life.

Full length center coolant fed hole rapidly flushes chips along the flute and out of the hole preventing recutting of chips and providing superior finishes. Precision ground axially aligned diameters for accuracy.

Tool diameter tolerance: +.0002"/-.0000".

Shank diameter tolerance thru .3750": +.0000"/-.0003".

over .3750": +.0000"/-.0004".



DECIMAL SIZE RANGE	SHANK DIAMETER	NO. OF FLUTES	FLUTE LENGTH	OVERALL LENGTH	NON-FERR. TYPE 3414h6 EDP NO.	CAST IRON TYPE 3424h6 EDP NO.	STEEL TYPE 3434h6 EDP NO.	PRICE EACH - FINISHED TO DECIMAL SIZE					
								1 PC.	2 PC.	3 PC.	4 PC.	5-7	8-14*
.3471 - .3780	.3125	4	1 3/4	5	341412h6	342412h6	343412h6	\$281.90	\$251.45	\$241.35	\$236.50	\$231.20	\$227.20
.3781 - .4090	.3125	4	1 3/4	5	341413h6	342413h6	343413h6	282.50	252.30	242.10	237.20	232.10	227.85
.4091 - .4410	.3750	6	1 3/4	5	341414h6	342414h6	343414h6	284.85	254.45	244.25	239.50	234.20	230.25
.4411 - .4720	.3750	6	1 3/4	5	341415h6	342415h6	343415h6	286.80	256.45	246.25	241.45	236.20	232.15
.4721 - .5030	.4375	6	2	6	341416h6	342416h6	343416h6	289.40	259.05	248.95	244.10	238.85	234.75
.5031 - .5340	.4375	6	2	6	341417h6	342417h6	343417h6	294.45	264.00	254.00	249.15	243.95	239.80
.5341 - .5660	.4375	6	2	6	341418h6	342418h6	343418h6	297.85	267.50	257.35	252.50	247.30	243.15
.5661 - .5970	.4375	6	2	6	341419h6	342419h6	343419h6	302.75	272.40	262.15	257.45	252.30	248.10
.5971 - .6280	.5625	6	2 1/4	6	341420h6	342420h6	343420h6	307.35	277.00	266.80	262.00	256.80	252.75
.6281 - .6590	.5625	6	2 1/4	6	341421h6	342421h6	343421h6	333.75	303.40	293.15	288.50	283.20	279.15
.6591 - .6910	.5625	6	2 1/4	6	341422h6	342422h6	343422h6	339.30	308.95	298.80	294.05	288.70	284.70
.6911 - .7220	.5625	6	2 1/4	6	341423h6	342423h6	343423h6	351.25	321.00	310.90	306.00	300.80	296.65
.7221 - .7530	.6250	6	2 1/2	6	341424h6	342424h6	343424h6	351.25	321.00	310.90	306.00	300.80	296.65
.7531 - .7840	.6250	6	2 1/2	6	341425h6	342425h6	343425h6	359.95	329.60	319.45	314.60	309.40	305.25
.7841 - .8160	.6250	6	2 1/2	6	341426h6	342426h6	343426h6	359.95	329.60	319.45	314.60	309.40	305.25
.8161 - .8470	.6250	6	2 1/2	6	341427h6	342427h6	343427h6	370.20	339.75	329.65	324.75	319.60	315.40
.8471 - .8780	.7500	6	2 3/8	6	341428h6	342428h6	343428h6	382.15	351.80	341.60	336.80	331.60	327.45
.8781 - .9090	.7500	6	2 3/8	6	341429h6	342429h6	343429h6	417.65	387.30	377.15	372.35	367.15	363.00
.9091 - .9410	.7500	8	2 3/8	6	341430h6	342430h6	343430h6	417.65	387.30	377.15	372.35	367.15	363.00
.9411 - .9720	.7500	8	2 3/8	6	341431h6	342431h6	343431h6	419.00	388.60	378.50	373.65	368.40	364.30
.9721 - 1.0030	.8750	8	2 3/4	6	341432h6	342432h6	343432h6	419.00	388.60	378.50	373.65	368.40	364.30

METRIC CARBIDE TIPPED h6 SHANK REAMER - CENTER FED COOLANT

TYPE 3414h6 - STRAIGHT SHANK & FLUTES - BLIND HOLES - FOR NON-FERROUS

TYPE 3424h6 - STRAIGHT SHANK & FLUTES - BLIND HOLES - FOR CAST IRON

TYPE 3434h6 - STRAIGHT SHANK & FLUTES - BLIND HOLES - FOR STEEL

Tool diameter tolerance: +.0051mm/-.0000mm.

Shank diameter tolerance thru 10mm: +.0000mm/-.0076mm.

over 10mm: +.0000mm/-.0102mm.

METRIC SIZE RANGE (mm)	SHANK DIAMETER (mm)	NO. OF FLUTES	FLUTE LENGTH (mm)	OVERALL LENGTH (mm)	NON-FERR. TYPE 3414h6 EDP NO.	CAST IRON TYPE 3424h6 EDP NO.	STEEL TYPE 3434h6 EDP NO.	PRICE EACH - FINISHED TO METRIC SIZE					
								1 PC.	2 PC.	3 PC.	4 PC.	5-7	8-14*
8.815 - 9.601	8	4	45	127	3414095h6	3424095h6	3434095h6	\$286.95	\$256.65	\$246.50	\$241.50	\$236.50	\$232.25
9.602 - 10.389	8	4	45	127	3414100h6	3424100h6	3434100h6	287.60	257.45	247.30	242.35	237.20	233.00
10.390 - 11.201	10	6	45	127	3414110h6	3424110h6	3434110h6	289.85	259.70	249.55	244.55	239.50	235.30
11.202 - 12.000	10	6	45	127	3414120h6	3424120h6	3434120h6	291.85	261.65	251.45	246.50	241.45	237.20
12.001 - 12.875	10	6	51	153	3414125h6	3424125h6	3434125h6	294.45	264.35	254.05	249.15	244.10	239.80
12.876 - 13.565	12	6	51	153	3414135h6	3424135h6	3434135h6	299.55	269.40	259.10	254.20	249.15	244.85
13.566 - 14.376	12	6	51	153	3414140h6	3424140h6	3434140h6	302.90	272.60	262.50	257.55	252.50	248.20
14.377 - 15.164	12	6	51	153	3414150h6	3424150h6	3434150h6	307.85	277.60	267.50	262.50	257.45	253.15
15.165 - 16.100	14	6	57	153	3414160h6	3424160h6	3434160h6	312.40	282.25	272.00	267.05	262.00	257.75
16.101 - 16.740	14	6	57	153	3414165h6	3424165h6	3434165h6	338.80	308.50	298.45	293.55	288.50	284.20
16.741 - 17.551	14	6	57	153	3414175h6	3424175h6	3434175h6	344.35	314.25	304.05	299.10	294.05	289.75
17.552 - 18.340	14	6	57	153	3414180h6	3424180h6	3434180h6	356.40	326.25	316.00	311.10	306.00	301.75
18.341 - 19.250	16	6	64	153	3414190h6	3424190h6	3434190h6	356.40	326.25	316.00	311.10	306.00	301.75
19.251 - 20.126	16	6	64	153	3414200h6	3424200h6	3434200h6	359.30	328.85	318.75	313.85	308.65	304.50
20.127 - 21.127	16	6	64	153	3414210h6	3424210h6	3434210h6	369.45	339.10	328.95	324.10	318.90	314.75
21.128 - 22.127	20	6	64	153	3414220h6	3424220h6	3434220h6	369.45	339.10	328.95	324.10	318.90	314.75
22.128 - 23.127	20	6	67	153	3414230h6	3424230h6	3434230h6	416.85	386.45	376.35	371.45	366.25	362.10
23.128 - 24.127	20	8	67	153	3414240h6	3424240h6	3434240h6	418.20	387.85	377.70	372.85	367.65	363.50
24.128 - 25.127	20	8	70	153	3414250h6	3424250h6	3434250h6	418.20	387.85	377.70	372.85	367.65	363.50

LEXINGTON CUTTER, INC. • sales@lexingtoncutter.com • Phone 800-882-2627 • Fax 800-882-3637

CARBIDE TIPPED h6 SHANK REAMER - FLUTE FED COOLANT

TYPE 3416h6 - STRAIGHT SHANK & FLUTES - THROUGH HOLES - FOR NON-FERROUS

TYPE 3426h6 - STRAIGHT SHANK & FLUTES - THROUGH HOLES - FOR CAST IRON

TYPE 3435h6 - STRAIGHT SHANK & FLUTES - THROUGH HOLES - FOR STEEL

Flute long carbide tips brazed to one piece hardened alloy steel bodies. Straight polished flutes.

Material specific geometry and carbide grade for the ultimate in performance and tool life.

Coolant fed hole in each flute rapidly flushes chips forward ahead of the reamer to help break chips and provide superior finishes. Precision ground axially aligned diameters for accuracy.



Tool diameter tolerance: +.0002"/-.0000"

Shank diameter tolerance thru .3750": +.0000"/-.0003"

over .3750": +.0000"/-.0004"

DECIMAL SIZE RANGE	SHANK DIAMETER	NO. OF FLUTES	FLUTE LENGTH	OVERALL LENGTH	NON-FERR. TYPE 3416h6 EDP NO.	CAST IRON TYPE 3426h6 EDP NO.	STEEL TYPE 3435h6 EDP NO.	PRICE EACH - FINISHED TO DECIMAL SIZE					
								1 PC.	2 PC.	3 PC.	4 PC.	5-7	8-14*
.3471 - .3780	.3125	4	1 3/4	5	341612h6	342612h6	343512h6	\$283.80	\$253.45	\$243.30	\$238.50	\$233.35	\$229.15
.3781 - .4090	.3125	4	1 3/4	5	341613h6	342613h6	343513h6	289.40	259.05	248.95	244.10	238.85	234.75
.4091 - .4410	.3750	6	1 3/4	5	341614h6	342614h6	343514h6	294.85	264.60	254.45	249.60	244.50	240.35
.4411 - .4720	.3750	6	1 3/4	5	341615h6	342615h6	343515h6	294.85	264.60	254.45	249.60	244.50	240.35
.4721 - .5030	.4375	6	2	6	341616h6	342616h6	343516h6	294.85	264.60	254.45	249.60	244.50	240.35
.5031 - .5340	.4375	6	2	6	341617h6	342617h6	343517h6	308.45	278.10	268.00	263.20	257.90	253.90
.5341 - .5660	.4375	6	2	6	341618h6	342618h6	343518h6	311.95	281.65	271.40	266.55	261.40	257.35
.5661 - .5970	.4375	6	2	6	341619h6	342619h6	343519h6	314.30	283.90	273.80	268.90	263.70	259.70
.5971 - .6280	.5625	6	2 1/4	6	341620h6	342620h6	343520h6	314.30	283.90	273.80	268.90	263.70	259.70
.6281 - .6590	.5625	6	2 1/4	6	341621h6	342621h6	343521h6	341.85	311.50	301.20	296.45	291.25	287.15
.6591 - .6910	.5625	6	2 1/4	6	341622h6	342622h6	343522h6	341.85	311.50	301.20	296.45	291.25	287.15
.6911 - .7220	.5625	6	2 1/4	6	341623h6	342623h6	343523h6	361.15	330.70	320.60	315.85	310.45	306.50
.7221 - .7530	.6250	6	2 1/2	6	341624h6	342624h6	343524h6	361.15	330.70	320.60	315.85	310.45	306.50
.7531 - .7840	.6250	6	2 1/2	6	341625h6	342625h6	343525h6	362.40	331.95	321.90	317.00	311.80	307.65
.7841 - .8160	.6250	6	2 1/2	6	341626h6	342626h6	343526h6	362.40	331.95	321.90	317.00	311.80	307.65
.8161 - .8470	.6250	6	2 1/2	6	341627h6	342627h6	343527h6	371.35	341.00	330.85	326.05	320.85	316.70
.8471 - .8780	.7500	6	2 5/8	6	341628h6	342628h6	343528h6	383.40	353.05	342.90	338.05	332.85	328.70
.8781 - .9090	.7500	6	2 5/8	6	341629h6	342629h6	343529h6	423.15	392.75	382.65	377.75	372.55	368.40
.9091 - .9410	.7500	8	2 5/8	6	341630h6	342630h6	343530h6	431.45	401.05	390.95	386.15	380.85	376.80
.9411 - .9720	.7500	8	2 5/8	6	341631h6	342631h6	343531h6	431.45	401.05	390.95	386.15	380.85	376.80
.9721 - 1.0030	.8750	8	2 3/4	6	341632h6	342632h6	343532h6	431.45	401.05	390.95	386.15	380.85	376.80

CARBIDE TIPPED h6 SHANK REAMER - FLUTE FED COOLANT METRIC

TYPE 3416h6 - STRAIGHT SHANK & FLUTES - THROUGH HOLES - FOR NON-FERROUS

TYPE 3426h6 - STRAIGHT SHANK & FLUTES - THROUGH HOLES - FOR CAST IRON

TYPE 3435h6 - STRAIGHT SHANK & FLUTES - THROUGH HOLES - FOR STEEL

Tool diameter tolerance: +.0051mm/-.0000mm.

Shank diameter tolerance thru 10mm: +.0000mm/-.0076mm.

over 10mm: +.0000mm/-.0102mm.

METRIC SIZE RANGE (mm)	SHANK DIAMETER (mm)	NO. OF FLUTES	FLUTE LENGTH (mm)	OVERALL LENGTH (mm)	NON-FERR. TYPE 3416h6 EDP NO.	CAST IRON TYPE 3426h6 EDP NO.	STEEL TYPE 3435h6 EDP NO.	PRICE EACH - FINISHED TO METRIC SIZE					
								1 PC.	2 PC.	3 PC.	4 PC.	5-7	8-14*
8.815 - 9.601	8	4	45	127	3416095h6	3426095h6	3435095h6	\$288.85	\$258.65	\$248.40	\$243.50	\$238.50	\$234.20
9.602 - 10.389	8	4	45	127	3416100h6	3426100h6	3435100h6	294.45	264.35	254.05	249.15	244.10	239.80
10.390 - 11.201	10	6	45	127	3416110h6	3426110h6	3435110h6	299.90	269.85	259.70	254.65	249.60	245.45
11.202 - 12.000	10	6	45	127	3416120h6	3426120h6	3435120h6	299.90	269.85	259.70	254.65	249.60	245.45
12.001 - 12.875	10	6	51	153	3416125h6	3426125h6	3435125h6	299.90	269.85	259.70	254.65	249.60	245.45
12.876 - 13.565	12	6	51	153	3416135h6	3426135h6	3435135h6	313.50	283.30	273.15	268.25	263.20	258.90
13.566 - 14.376	12	6	51	153	3416140h6	3426140h6	3435140h6	317.00	286.80	276.70	271.70	266.55	262.45
14.377 - 15.164	12	6	51	153	3416150h6	3426150h6	3435150h6	319.45	289.15	278.90	273.95	268.90	264.75
15.165 - 16.100	14	6	57	153	3416160h6	3426160h6	3435160h6	319.45	289.15	278.90	273.95	268.90	264.75
16.101 - 16.740	14	6	57	153	3416165h6	3426165h6	3435165h6	346.95	316.60	306.50	301.55	296.45	292.25
16.741 - 17.551	14	6	57	153	3416175h6	3426175h6	3435175h6	346.95	316.60	306.50	301.55	296.45	292.25
17.552 - 18.340	14	6	57	153	3416180h6	3426180h6	3435180h6	366.20	335.90	325.75	320.85	315.85	311.55
18.341 - 19.250	16	6	64	153	3416190h6	3426190h6	3435190h6	366.20	335.90	325.75	320.85	315.85	311.55
19.251 - 20.126	16	6	64	153	3416200h6	3426200h6	3435200h6	361.70	331.40	321.20	316.40	311.20	307.05
20.127 - 21.127	16	6	64	153	3416210h6	3426210h6	3435210h6	370.70	340.30	330.20	325.35	320.10	316.00
21.128 - 22.127	20	6	64	153	3416220h6	3426220h6	3435220h6	370.70	340.30	330.20	325.35	320.10	316.00
22.128 - 23.127	20	6	67	153	3416230h6	3426230h6	3435230h6	422.35	392.00	381.85	377.00	371.80	367.65
23.128 - 24.127	20	8	67	153	3416240h6	3426240h6	3435240h6	430.75	400.40	390.20	385.40	380.20	376.05
24.128 - 25.127	20	8	70	153	3416250h6	3426250h6	3435250h6	430.75	400.40	390.20	385.40	380.20	376.05

Phone 941-739-2726 • Fax 941-739-2827 • www.lexingtoncutter.com • LEXINGTON CUTTER, INC.

*Quantities of 15 or more: call for pricing.

Made in U.S.A.

CARBIDE TIPPED h6 SHANK REAMER - CENTER FED COOLANT

TYPE 3411h6 - STRAIGHT SHANK - RIGHT SPIRAL FLUTES - BLIND HOLES - FOR NON-FERROUS

TYPE 3413h6 - STRAIGHT SHANK - RIGHT SPIRAL FLUTES - BLIND HOLES - FOR CAST IRON

TYPE 3415h6 - STRAIGHT SHANK - RIGHT SPIRAL FLUTES - BLIND HOLES - FOR STEEL

Flute long carbide tips brazed to one piece hardened alloy steel bodies. Right spiral flutes. Material specific geometry and carbide grade for the ultimate in performance and tool life.

Full length center coolant fed hole rapidly flushes chips along the flute and out of the hole preventing recutting of chips and providing superior finishes. Precision ground axially aligned diameters for accuracy.

Tool diameter tolerance: +.0002"/-.0000".

Shank diameter tolerance thru .3750": +.0000"/-.0003".

over .3750": +.0000"/-.0004".

DECIMAL SIZE RANGE	SHANK DIAMETER	NO. OF FLUTES	FLUTE LENGTH	OVERALL LENGTH	NON-FERR. TYPE 3411h6 EDP NO.	CAST IRON TYPE 3413h6 EDP NO.	STEEL TYPE 3415h6 EDP NO.	PRICE EACH - FINISHED TO DECIMAL SIZE					
								1 PC.	2 PC.	3 PC.	4 PC.	5-7	8-14*
.3471 .3780	.3125	4	1 3/4	5	341112h6	341312h6	341512h6	\$287.45	\$257.10	\$246.95	\$242.10	\$236.90	\$232.75
.3781 .4090	.3125	4	1 3/4	5	341113h6	341313h6	341513h6	288.10	257.70	247.60	242.80	237.50	233.45
.4091 .4410	.3750	6	1 3/4	5	341114h6	341314h6	341514h6	290.40	260.05	249.90	245.10	239.90	235.75
.4411 .4720	.3750	6	1 3/4	5	341115h6	341315h6	341515h6	292.55	262.15	252.05	247.25	241.95	237.90
.4721 .5030	.4375	6	2	6	341116h6	341316h6	341516h6	301.70	271.30	261.20	256.30	251.10	246.95
.5031 .5340	.4375	6	2	6	341117h6	341317h6	341517h6	310.45	280.10	269.95	265.10	259.90	255.75
.5341 .5660	.4375	6	2	6	341118h6	341318h6	341518h6	310.45	280.10	269.95	265.10	259.90	255.75
.5661 .5970	.4375	6	2	6	341119h6	341319h6	341519h6	320.40	289.95	279.90	275.00	269.80	265.65
.5971 .6280	.5625	6	2 1/4	6	341120h6	341320h6	341520h6	320.40	289.95	279.90	275.00	269.80	265.65
.6281 .6590	.5625	6	2 1/4	6	341121h6	341321h6	341521h6	354.10	323.75	313.55	308.75	303.55	299.40
.6591 .6910	.5625	6	2 1/4	6	341122h6	341322h6	341522h6	354.10	323.75	313.55	308.75	303.55	299.40
.6911 .7220	.5625	6	2 1/4	6	341123h6	341323h6	341523h6	366.75	336.40	326.25	321.45	316.25	312.10
.7221 .7530	.6250	6	2 1/2	6	341124h6	341324h6	341524h6	347.85	317.50	307.35	302.50	297.30	293.15
.7531 .7840	.6250	6	2 1/2	6	341125h6	341325h6	341525h6	390.60	360.15	350.10	345.25	340.00	335.90
.7841 .8160	.6250	6	2 1/2	6	341126h6	341326h6	341526h6	394.75	364.40	354.25	349.40	344.20	340.05
.8161 .8470	.6250	6	2 1/2	6	341127h6	341327h6	341527h6	401.00	370.65	360.45	355.65	350.45	346.30
.8471 .8780	.7500	6	2 3/8	6	341128h6	341328h6	341528h6	419.60	389.25	379.10	374.25	369.05	364.90
.8781 .9090	.7500	6	2 3/8	6	341129h6	341329h6	341529h6	440.95	410.60	400.45	395.65	390.45	386.30
.9091 .9410	.7500	8	2 3/8	6	341130h6	341330h6	341530h6	459.10	428.65	418.55	413.75	408.45	404.40
.9411 .9720	.7500	8	2 3/8	6	341131h6	341331h6	341531h6	460.25	429.90	419.75	414.95	409.75	405.60
.9721 1.0030	.8750	8	2 3/4	6	341132h6	341332h6	341532h6	460.95	430.50	420.40	415.60	410.35	406.25

METRIC CARBIDE TIPPED h6 SHANK REAMER - CENTER FED COOLANT

TYPE 3411h6 - STRAIGHT SHANK - RIGHT SPIRAL FLUTES - BLIND HOLES - FOR NON-FERROUS

TYPE 3413h6 - STRAIGHT SHANK - RIGHT SPIRAL FLUTES - BLIND HOLES - FOR CAST IRON

TYPE 3415h6 - STRAIGHT SHANK - RIGHT SPIRAL FLUTES - BLIND HOLES - FOR STEEL

Tool diameter tolerance: +.0051mm/-.0000mm.

Shank diameter tolerance thru 10mm: +.0000mm/-.0076mm.

over 10mm: +.0000mm/-.0102mm.

METRIC SIZE RANGE (mm)	SHANK DIAMETER (mm)	NO. OF FLUTES	FLUTE LENGTH (mm)	OVERALL LENGTH (mm)	NON-FERR. TYPE 3411h6 EDP NO.	CAST IRON TYPE 3413h6 EDP NO.	STEEL TYPE 3415h6 EDP NO.	PRICE EACH - FINISHED TO METRIC SIZE					
								1 PC.	2 PC.	3 PC.	4 PC.	5-7	8-14*
8.815 - 9.601	8	4	45	127	3411095h6	3413095h6	3415095h6	\$287.45	\$257.10	\$246.95	\$242.10	\$236.90	\$232.75
9.602 - 10.389	8	4	45	127	3411100h6	3413100h6	3415100h6	288.10	257.70	247.60	242.80	237.50	233.45
10.390 - 11.201	10	6	45	127	3411110h6	3413110h6	3415110h6	290.40	260.05	249.90	245.10	239.90	235.75
11.202 - 12.000	10	6	45	127	3411120h6	3413120h6	3415120h6	301.70	271.30	261.20	256.30	251.10	246.95
12.001 - 12.875	10	6	51	153	3411125h6	3413125h6	3415125h6	310.45	280.10	269.95	265.10	259.90	255.75
12.876 - 13.565	12	6	51	153	3411135h6	3413135h6	3415135h6	310.45	280.10	269.95	265.10	259.90	255.75
13.566 - 14.376	12	6	51	153	3411140h6	3413140h6	3415140h6	310.45	280.10	269.95	265.10	259.90	255.75
14.377 - 15.164	12	6	51	153	3411150h6	3413150h6	3415150h6	320.40	289.95	279.90	275.00	269.80	265.65
15.165 - 16.100	14	6	57	153	3411160h6	3413160h6	3415160h6	354.10	323.75	313.55	308.75	303.55	299.40
16.101 - 16.740	14	6	57	153	3411165h6	3413165h6	3415165h6	354.10	323.75	313.55	308.75	303.55	299.40
16.741 - 17.551	14	6	57	153	3411175h6	3413175h6	3415175h6	354.10	323.75	313.55	308.75	303.55	299.40
17.552 - 18.340	14	6	57	153	3411180h6	3413180h6	3415180h6	366.75	336.40	326.25	321.45	316.25	312.10
18.341 - 19.250	16	6	64	153	3411190h6	3413190h6	3415190h6	390.60	360.15	350.10	345.25	340.00	335.90
19.251 - 20.126	16	6	64	153	3411200h6	3413200h6	3415200h6	394.75	364.40	354.25	349.40	344.20	340.05
20.127 - 21.127	16	6	64	153	3411210h6	3413210h6	3415210h6	401.00	370.65	360.45	355.65	350.45	346.30
21.128 - 22.127	20	6	64	153	3411220h6	3413220h6	3415220h6	419.60	389.25	379.10	374.25	369.05	364.90
22.128 - 23.127	20	6	67	153	3411230h6	3413230h6	3415230h6	459.10	428.65	418.55	413.75	408.45	404.40
23.128 - 24.127	20	8	67	153	3411240h6	3413240h6	3415240h6	460.25	429.90	419.75	414.95	409.75	405.60
24.128 - 25.127	20	8	70	153	3411250h6	3413250h6	3415250h6	460.95	430.50	420.40	415.60	410.35	406.25

LEXINGTON CUTTER, INC. • sales@lexingtoncutter.com • Phone 800-882-2627 • Fax 800-882-3637

CARBIDE TIPPED h6 SHANK REAMER - FLUTE FED COOLANT

TYPE 3427h6 - STRAIGHT SHANK - LEFT SPIRAL FLUTES - THROUGH HOLES - FOR NON-FERROUS

TYPE 3428h6 - STRAIGHT SHANK - LEFT SPIRAL FLUTES - THROUGH HOLES - FOR CAST IRON

TYPE 3429h6 - STRAIGHT SHANK - LEFT SPIRAL FLUTES - THROUGH HOLES - FOR STEEL

Flute long carbide tips brazed to one piece hardened alloy steel bodies. Left spiral flutes. Material specific geometry and carbide grade for the ultimate in performance and tool life.

Coolant fed hole in each flute rapidly flushes chips forward ahead of the reamer to help break chips and provide superior finishes. Precision ground axially aligned diameters for accuracy.

Tool diameter tolerance: +.0002"/-.0000"

Shank diameter tolerance thru .3750": +.0000"/-.0003"

over .3750": +.0000"/-.0004"

DECIMAL SIZE RANGE	SHANK DIAMETER	NO. OF FLUTES	FLUTE LENGTH	OVERALL LENGTH	NON-FERR. TYPE 3427h6 EDP NO.	CAST IRON TYPE 3428h6 EDP NO.	STEEL TYPE 3429h6 EDP NO.	PRICE EACH - FINISHED TO DECIMAL SIZE					
								1 PC.	2 PC.	3 PC.	4 PC.	5-7	8-14*
.3471 - .3780	.3125	4	1 3/4	5	342712h6	342812h6	342912h6	\$342.05	\$311.65	\$301.55	\$296.65	\$291.45	\$287.30
.3781 - .4090	.3125	4	1 3/4	5	342713h6	342813h6	342913h6	343.20	312.85	302.65	297.85	292.65	288.50
.4091 - .4410	.3750	6	1 3/4	5	342714h6	342814h6	342914h6	345.75	315.35	305.25	300.45	295.15	291.10
.4411 - .4720	.3750	6	1 3/4	5	342715h6	342815h6	342915h6	348.35	317.95	307.85	302.95	297.75	293.60
.4721 - .5030	.4375	6	2	6	342716h6	342816h6	342916h6	352.00	321.60	311.50	306.65	301.40	297.30
.5031 - .5340	.4375	6	2	6	342717h6	342817h6	342917h6	358.10	327.65	317.60	312.75	307.50	303.40
.5341 - .5660	.4375	6	2	6	342718h6	342818h6	342918h6	362.45	332.05	321.95	317.15	311.85	307.80
.5661 - .5970	.4375	6	2	6	342719h6	342819h6	342919h6	368.75	338.35	328.25	323.45	318.15	314.10
.5971 - .6280	.5625	6	2 1/4	6	342720h6	342820h6	342920h6	374.40	344.05	333.90	329.10	323.90	319.75
.6281 - .6590	.5625	6	2 1/4	6	342721h6	342821h6	342921h6	408.10	377.70	367.60	362.75	357.50	353.40
.6591 - .6910	.5625	6	2 1/4	6	342722h6	342822h6	342922h6	415.20	384.90	374.70	369.90	364.70	360.55
.6911 - .7220	.5625	6	2 1/4	6	342723h6	342823h6	342923h6	422.70	392.35	382.20	377.40	372.20	368.05
.7221 - .7530	.6250	6	2 1/2	6	342724h6	342824h6	342924h6	430.45	400.10	389.90	385.10	379.90	375.75
.7531 - .7840	.6250	6	2 1/2	6	342725h6	342825h6	342925h6	436.75	406.40	396.25	391.40	386.20	382.05
.7841 - .8160	.6250	6	2 1/2	6	342726h6	342826h6	342926h6	441.35	411.00	400.85	396.00	390.80	386.65
.8161 - .8470	.6250	6	2 1/2	6	342727h6	342827h6	342927h6	448.25	417.80	407.75	402.90	397.65	393.55
.8471 - .8780	.7500	6	2 5/8	6	342728h6	342828h6	342928h6	469.45	439.10	428.95	424.15	418.95	414.80
.8781 - .9090	.7500	6	2 5/8	6	342729h6	342829h6	342929h6	493.65	463.25	453.15	448.30	443.05	438.95
.9091 - .9410	.7500	8	2 5/8	6	342730h6	342830h6	342930h6	514.65	484.30	474.15	469.30	464.10	459.95
.9411 - .9720	.7500	8	2 5/8	6	342731h6	342831h6	342931h6	515.75	485.40	475.25	470.45	465.25	461.10
.9721 - 1.0030	.8750	8	2 3/4	6	342732h6	342832h6	342932h6	516.35	486.00	475.85	471.00	465.85	461.65

CARBIDE TIPPED h6 SHANK REAMER - FLUTE FED COOLANT METRIC

TYPE 3427h6 - STRAIGHT SHANK - LEFT SPIRAL FLUTES - THROUGH HOLES - FOR NON-FERROUS

TYPE 3428h6 - STRAIGHT SHANK - LEFT SPIRAL FLUTES - THROUGH HOLES - FOR CAST IRON

TYPE 3429h6 - STRAIGHT SHANK - LEFT SPIRAL FLUTES - THROUGH HOLES - FOR STEEL

Tool diameter tolerance: +.0051mm/-.0000mm.

Shank diameter tolerance thru 10mm: +.0000mm/-.0076mm.

over 10mm: +.0000mm/-.0102mm.

METRIC SIZE RANGE (mm)	SHANK DIAMETER (mm)	NO. OF FLUTES	FLUTE LENGTH (mm)	OVERALL LENGTH (mm)	NON-FERR. TYPE 3427h6 EDP NO.	CAST IRON TYPE 3428h6 EDP NO.	STEEL TYPE 3429h6 EDP NO.	PRICE EACH - FINISHED TO METRIC SIZE					
								1 PC.	2 PC.	3 PC.	4 PC.	5-7	8-14*
8.815 9.601	8	4	45	127	3427095h6	3428095h6	3429095h6	\$342.05	\$311.65	\$301.55	\$296.65	\$291.45	\$287.30
9.602 10.389	8	4	45	127	3427100h6	3428100h6	3429100h6	343.20	312.85	302.65	297.85	292.65	288.50
10.390 11.201	10	6	45	127	3427110h6	3428110h6	3429110h6	345.75	315.35	305.25	300.45	295.15	291.10
11.202 12.000	10	6	45	127	3427120h6	3428120h6	3429120h6	352.00	321.60	311.50	306.65	301.40	297.30
12.001 12.875	10	6	51	153	3427125h6	3428125h6	3429125h6	358.10	327.65	317.60	312.75	307.50	303.40
12.876 13.565	12	6	51	153	3427135h6	3428135h6	3429135h6	362.45	332.05	321.95	317.15	311.85	307.80
13.566 14.376	12	6	51	153	3427140h6	3428140h6	3429140h6	362.45	332.05	321.95	317.15	311.85	307.80
14.377 15.164	12	6	51	153	3427150h6	3428150h6	3429150h6	368.75	338.35	328.25	323.45	318.15	314.10
15.165 16.100	14	6	57	153	3427160h6	3428160h6	3429160h6	408.10	377.70	367.60	362.75	357.50	353.40
16.101 16.740	14	6	57	153	3427165h6	3428165h6	3429165h6	415.20	384.90	374.70	369.90	364.70	360.55
16.741 17.551	14	6	57	153	3427175h6	3428175h6	3429175h6	415.20	384.90	374.70	369.90	364.70	360.55
17.552 18.340	14	6	57	153	3427180h6	3428180h6	3429180h6	422.70	392.35	382.20	377.40	372.20	368.05
18.341 19.250	16	6	64	153	3427190h6	3428190h6	3429190h6	436.75	406.40	396.25	391.40	386.20	382.05
19.251 20.126	16	6	64	153	3427200h6	3428200h6	3429200h6	441.35	411.00	400.85	396.00	390.80	386.65
20.127 21.127	16	6	64	153	3427210h6	3428210h6	3429210h6	448.25	417.80	407.75	402.90	397.65	393.55
21.128 22.127	20	6	64	153	3427220h6	3428220h6	3429220h6	469.45	439.10	428.95	424.15	418.95	414.80
22.128 23.127	20	6	67	153	3427230h6	3428230h6	3429230h6	514.65	484.30	474.15	469.30	464.10	459.95
23.128 24.127	20	8	67	153	3427240h6	3428240h6	3429240h6	515.75	485.40	475.25	470.45	465.25	461.10
24.128 25.127	20	8	70	153	3427250h6	3428250h6	3429250h6	516.35	486.00	475.85	471.00	465.85	461.65

Phone 941-739-2726 • Fax 941-739-2827 • www.lexingtoncutter.com • LEXINGTON CUTTER, INC.

*Quantities of 15 or more: call for pricing.

CARBIDE TIPPED FLUTE FED COOLANT REAMERS

TYPE 3416 - STRAIGHT SHANK & FLUTES - THROUGH HOLES - FOR NON-FERROUS

TYPE 3426 - STRAIGHT SHANK & FLUTES - THROUGH HOLES - FOR CAST IRON

TYPE 3435 - STRAIGHT SHANK & FLUTES - THROUGH HOLES - FOR STEEL

Flute long carbide tips (.2841" tool diameter and larger) brazed to one piece hardened alloy steel bodies. Straight polished flutes.

Coolant feeding hole in each flute for flushing chips forward through the hole being reamed. Tool geometry and carbide grade appropriate for material being machined. For longer overall length reamers, see page 119.

For reamer tolerances and closer tolerance pricing, see page 60.



TOOL DIAMETER		MAX. SHANK DIAM.	NO. OF FLTS.	LENGTH		NON-FERR. TYPE 3416 EDP NO.	CAST IRON TYPE 3426 EDP NO.	STEEL TYPE 3435 EDP NO.	ALL TYPES PRICE	DECIMAL SIZE RANGE	PRICE EACH - FINISHED TO DECIMAL SIZE					
DECIMAL	FRACTIONAL			FLT	OAL						1 PC.	2 PC.	3 PC.	4 PC.	5-7	8-14**
.1875	3/16	.1805	4	1 1/4*	5	341606	342606	343506	\$160.95	.1770 - .2040	\$209.40	\$185.20	\$177.05	\$173.10	\$168.95	\$165.60
.2031	13/64	.1805	4	1 1/4**	5	34162031	34262031	34352031	160.95	-	-	-	-	-	-	-
.2188	7/32	.2075	4	1 1/4**	5	341607	342607	343507	160.95	.2041 - .2210	209.40	185.20	177.05	173.10	168.95	165.60
.2344	15/64	.2265	4	1 1/2*	6	34162344	34262344	34352344	160.95	.2211 - .2380	209.40	185.20	177.05	173.10	168.95	165.60
.2500	1/4	.2405	4	1 1/2**	6	341608	342608	343508	160.95	.2381 - .2530	209.40	185.20	177.05	173.10	168.95	165.60
.2656	17/64	.2485	4	1 1/2**	6	34162656	34262656	34352656	164.65	-	-	-	-	-	-	-
.2812	9/32	.2485	4	1 1/2**	6	341609	342609	343509	164.65	.2531 - .2840	213.10	188.75	180.70	176.75	172.60	169.40
.2969	19/64	.2792	4	1 1/2	6	34162969	34262969	34352969	178.60	-	-	-	-	-	-	-
.3125	5/16	.2792	4	1 1/2	6	341610	342610	343510	178.60	.2841 - .3150	227.05	202.70	194.65	190.75	186.70	183.35
.3281	21/64	.2792	4	1 1/2	6	34163281	34263281	34353281	178.60	-	-	-	-	-	-	-
.3438	11/32	.2792	4	1 1/2	6	341611	342611	343511	178.60	.3151 - .3470	227.05	202.70	194.65	190.75	186.70	183.35
.3594	23/64	.3105	4	1 3/4	7	34163594	34263594	34353594	178.60	-	-	-	-	-	-	-
.3750	3/8	.3105	4	1 3/4	7	341612	342612	343512	178.60	.3471 - .3780	227.05	202.70	194.65	190.75	186.70	183.35
.3906	25/64	.3105	4	1 3/4	7	34163906	34263906	34353906	183.00	-	-	-	-	-	-	-
.4062	13/32	.3105	4	1 3/4	7	341613	342613	343513	183.00	.3781 - .4090	231.50	207.25	199.15	195.20	191.15	187.75
.4219	27/64	.3730	6	1 3/4	7	34164219	34264219	34354219	187.45	-	-	-	-	-	-	-
.4375	7/16	.3730	6	1 3/4	7	341614	342614	343514	187.45	.4091 - .4410	235.90	211.70	203.60	199.65	195.60	192.25
.4531	29/64	.3730	6	1 3/4	7	34164531	34264531	34354531	187.45	-	-	-	-	-	-	-
.4688	15/32	.3730	6	1 3/4	7	341615	342615	343515	187.45	.4411 - .4720	235.90	211.70	203.60	199.65	195.60	192.25
.4844	31/64	.4355	6	2	8	34164844	34264844	34354844	187.45	-	-	-	-	-	-	-
.5000	1/2	.4355	6	2	8	341616	342616	343516	187.45	.4721 - .5030	235.90	211.70	203.60	199.65	195.60	192.25
.5156	33/64	.4355	6	2	8	34165156	34265156	34355156	198.25	-	-	-	-	-	-	-
.5312	17/32	.4355	6	2	8	341617	342617	343517	198.25	.5031 - .5340	246.70	222.55	214.45	210.50	206.30	203.10
.5625	9/16	.4355	6	2	8	341618	342618	343518	201.10	.5341 - .5660	249.55	225.35	217.10	213.25	209.10	205.85
.5938	19/32	.4355	6	2	8	341619	342619	343519	202.95	.5661 - .5970	251.40	227.15	219.05	215.10	210.95	207.70
.6250	5/8	.5615	6	2 1/4	9	341620	342620	343520	202.95	.5971 - .6280	251.40	227.15	219.05	215.10	210.95	207.70
.6562	21/32	.5615	6	2 1/4	9	341621	342621	343521	224.90	.6281 - .6590	273.50	249.15	241.00	237.15	233.00	229.70
.6875	11/16	.5615	6	2 1/4	9	341622	342622	343522	224.90	.6591 - .6910	273.50	249.15	241.00	237.15	233.00	229.70
.7188	23/32	.5615	6	2 1/4	9	341623	342623	343523	240.40	.6911 - .7220	288.85	264.60	256.50	252.65	248.35	245.15
.7500	3/4	.6245	6	2 1/2	9 1/2	341624	342624	343524	240.40	.7221 - .7530	288.85	264.60	256.50	252.65	248.35	245.15
.7812	25/32	.6245	6	2 1/2	9 1/2	341625	342625	343525	240.40	.7531 - .7840	288.85	264.60	256.50	252.65	248.35	245.15
.8125	13/16	.6245	6	2 1/2	9 1/2	341626	342626	343526	240.40	.7841 - .8160	288.85	264.60	256.50	252.65	248.35	245.15
.8438	27/32	.6245	6	2 1/2	9 1/2	341627	342627	343527	247.70	.8161 - .8470	296.15	271.85	263.70	259.85	255.70	252.35
.8750	7/8	.7495	6	2 5/8	10	341628	342628	343528	257.05	.8471 - .8780	307.35	282.10	273.65	269.65	265.35	261.95
.9062	29/32	.7495	6	2 5/8	10	341629	342629	343529	288.55	.8781 - .9090	338.80	313.65	305.25	301.20	296.80	293.55
.9375	15/16	.7495	8	2 5/8	10	341630	342630	343530	295.30	.9091 - .9410	345.55	320.40	311.95	307.95	303.55	300.20
.9688	31/32	.7495	8	2 5/8	10	341631	342631	343531	295.30	.9411 - .9720	345.55	320.40	311.95	307.95	303.55	300.20
1.0000	1	.8745	8	2 3/4	10 1/2	341632	342632	343532	295.30	.9721 - 1.0030	345.55	320.40	311.95	307.95	303.55	300.20
1.0625	1 1/16	.8745	8	2 3/4	10 1/2	341634	342634	343534	312.25	1.0031 - 1.0660	362.60	337.45	329.00	325.00	320.70	317.30
1.1250	1 1/8	.8745	8	2 7/8	11	341636	342636	343536	313.55	1.0661 - 1.1280	363.95	338.65	330.20	326.20	321.95	318.45
1.1875	1 3/16	.9995	8	2 7/8	11	341638	342638	343538	326.55	1.1281 - 1.1905	376.85	351.65	343.10	339.25	334.85	331.55
1.2500	1 1/4	.9995	8	3	11 1/2	341640	342640	343540	330.80	1.1906 - 1.2530	381.15	355.85	347.50	343.45	339.25	335.85
1.3125	1 3/16	.9995	8	3	11 1/2	341642	342642	343542	340.30	1.2531 - 1.3155	390.65	365.35	357.00	352.90	348.65	345.25
1.3750	1 3/8	.9995	8	3 1/4	12	341644	342644	343544	354.10	1.3156 - 1.3780	404.40	379.10	370.80	366.70	362.45	359.00
1.4375	1 7/16	.9995	8	3 1/4	12	341646	342646	343546	365.15	1.3781 - 1.4405	415.50	390.20	381.90	377.85	373.50	370.20
1.5000	1 1/2	1.2495	8	3 1/2	12 1/2	341648	342648	343548	377.40	1.4406 - 1.5030	427.70	402.55	394.10	390.05	385.75	382.35
1.5625	1 9/16	1.2495	8	3 1/2	12 1/2	341650	342662	343550	424.30	1.5031 - 1.5660	472.20	448.25	440.15	436.35	432.20	429.00
1.6250	1 5/8	1.2495	8	3 1/2	13	341652	342664	343552	466.50	1.5661 - 1.6280	514.45	490.45	482.35	478.60	474.45	471.25
1.6875	1 11/16	1.2495	8	3 1/2	13	341654	342650	343554	474.60	1.6281 - 1.6910	522.50	498.55	490.45	486.70	482.50	479.35
1.7500	1 3/4	1.2495	10	3 1/2	13 1/2	341656	342652	343556	518.65	1.6911 - 1.7530	566.60	542.60	534.55	530.75	526.60	523.40
1.8125	1 13/16	1.4995	10	3 1/2	13 1/2	341658	342654	343558	540.05	1.7531 - 1.8160	587.95	564.00	555.90	552.10	547.95	544.80
1.8750	1 7/8	1.4995	10	3 1/2	14	341660	342656	343560	568.60	1.8161 - 1.8780	616.55	592.55	584.45	580.70	576.55	573.35
1.9375	1 15/16	1.4995	10	3 1/2	14	341662	342658	343562	604.90	1.8781 - 1.9410	652.80	628.85	620.75	616.95	612.80	609.65
2.0000	2	1.4995	12	3 1/2	14	341664	342660	343564	626.85	1.9411 - 2.0030	674.75	650.80	642.70	638.95	634.80	631.60

LEXINGTON CUTTER, INC. • sales@lexingtoncutter.com • Phone 800-882-2627 • Fax 800-882-3637

CARBIDE TIPPED FLUTE FED COOLANT REAMERS

METRIC

TYPE 3416 - STRAIGHT SHANK & FLUTES - THROUGH HOLES - FOR NON-FERROUS
TYPE 3426 - STRAIGHT SHANK & FLUTES - THROUGH HOLES - FOR CAST IRON
TYPE 3435 - STRAIGHT SHANK & FLUTES - THROUGH HOLES - FOR STEEL



Detailed description and fractional sizes on page 108. Tolerances on page 60.
 Tool diameter in millimeters with all other dimensions in inches.

TOOL DIAMETER		MAX. SHANK DIAM.	NO. OF FLTS.	LENGTH		NON-FERR. TYPE 3416 EDP NO.	CAST IRON TYPE 3426 EDP NO.	STEEL TYPE 3435 EDP NO.	ALL TYPES PRICE	METRIC SIZE RANGE	PRICE EACH - FINISHED TO METRIC SIZE						
mm	INCH			FLT	OAL						1 PC.	2 PC.	3 PC.	4 PC.	5-7	8-14	15+
4.5	.1772	.1704	4	1 1/4*	5	3416045	3426045	3435045	\$177.05	4.494 - 4.696	\$213.45	\$189.35	\$181.20	\$177.25	\$173.10	\$169.75	\$165.10
5.0	.1969	.1805	4	1 1/4*	5	3416050	3426050	3435050	177.05	4.697 - 5.182	213.45	189.35	181.20	177.25	173.10	169.75	165.10
5.5	.2165	.2075	4	1 1/4*	5	3416055	3426055	3435055	177.05	5.183 - 5.613	213.45	189.35	181.20	177.25	173.10	169.75	165.10
6.0	.2362	.2265	4	1 1/2*	6	3416060	3426060	3435060	177.05	5.614 - 6.045	213.45	189.35	181.20	177.25	173.10	169.75	165.10
-	-	.2405	4	1 1/2*	6	3416063	3426063	3435063	-	6.046 - 6.426	213.45	189.35	181.20	177.25	173.10	169.75	165.10
6.5	.2559	.2485	4	1 1/2*	6	3416065	3426065	3435065	180.70	6.427 - 7.214	217.10	192.90	184.85	180.85	176.75	173.40	168.80
7.0	.2756	.2485	4	1 1/2*	6	3416070	3426070	3435070	180.70	-	-	-	-	-	-	-	-
7.5	.2953	.2792	4	1 1/2	6	3416075	3426075	3435075	194.65	7.215 - 8.001	231.05	206.95	198.80	194.85	190.75	187.35	182.75
8.0	.3150	.2792	4	1 1/2	6	3416080	3426080	3435080	194.65	-	-	-	-	-	-	-	-
8.5	.3346	.2792	4	1 1/2	6	3416085	3426085	3435085	194.65	8.002 - 8.814	231.05	206.95	198.80	194.85	190.75	187.35	182.75
9.0	.3543	.3105	4	1 3/4	7	3416090	3426090	3435090	194.65	8.815 - 9.601	231.05	206.95	198.80	194.85	190.75	187.35	182.75
9.5	.3740	.3105	4	1 3/4	7	3416095	3426095	3435095	194.65	-	-	-	-	-	-	-	-
10.0	.3937	.3105	4	1 3/4	7	3416100	3426100	3435100	199.15	9.602 - 10.389	235.50	211.45	203.25	199.30	195.20	191.80	187.20
10.5	.4134	.3730	6	1 3/4	7	3416105	3426105	3435105	203.60	10.390 - 11.201	239.95	215.90	207.70	203.75	199.65	196.35	191.65
11.0	.4331	.3730	6	1 3/4	7	3416110	3426110	3435110	203.60	-	-	-	-	-	-	-	-
11.5	.4528	.3730	6	1 3/4	7	3416115	3426115	3435115	203.60	11.202 - 11.989	239.95	215.90	207.70	203.75	199.65	196.35	191.65
12.0	.4724	.4355	6	2	8	3416120	3426120	3435120	203.60	11.990 - 12.776	239.95	215.90	207.70	203.75	199.65	196.35	191.65
12.5	.4921	.4355	6	2	8	3416125	3426125	3435125	203.60	-	-	-	-	-	-	-	-
13.0	.5118	.4355	6	2	8	3416130	3426130	3435130	214.45	12.777 - 13.564	250.80	226.60	218.50	214.60	210.50	207.10	202.50
13.5	.5315	.4355	6	2	8	3416135	3426135	3435135	214.45	-	-	-	-	-	-	-	-
14.0	.5512	.4355	6	2	8	3416140	3426140	3435140	217.10	13.565 - 14.376	253.60	229.45	221.35	217.40	213.25	210.00	205.25
14.5	.5709	.4355	6	2	8	3416145	3426145	3435145	219.05	14.377 - 15.164	255.55	231.30	223.10	219.20	215.10	211.75	207.10
15.0	.5906	.4355	6	2	8	3416150	3426150	3435150	219.05	-	-	-	-	-	-	-	-
15.5	.6102	.5615	6	2 1/4	9	3416155	3426155	3435155	219.05	15.165 - 15.951	255.55	231.30	223.10	219.20	215.10	211.75	207.10
16.0	.6299	.5615	6	2 1/4	9	3416160	3426160	3435160	241.00	15.952 - 16.739	277.50	253.30	245.15	241.20	237.15	233.80	229.05
16.5	.6496	.5615	6	2 1/4	9	3416165	3426165	3435165	241.00	-	-	-	-	-	-	-	-
17.0	.6693	.5615	6	2 1/4	9	3416170	3426170	3435170	241.00	16.740 - 17.551	277.50	253.30	245.15	241.20	237.15	233.80	229.05
17.5	.6890	.5615	6	2 1/4	9	3416175	3426175	3435175	241.00	-	-	-	-	-	-	-	-
18.0	.7087	.5615	6	2 1/4	9	3416180	3426180	3435180	256.50	17.552 - 18.339	292.95	268.70	260.60	256.65	252.65	249.25	244.65
18.5	.7283	.6245	6	2 1/2	9 1/2	3416185	3426185	3435185	256.50	18.340 - 19.126	292.95	268.70	260.60	256.65	252.65	249.25	244.65
19.0	.7480	.6245	6	2 1/2	9 1/2	3416190	3426190	3435190	256.50	-	-	-	-	-	-	-	-
19.5	.7677	.6245	6	2 1/2	9 1/2	3416195	3426195	3435195	256.50	19.127 - 19.914	292.95	268.70	260.60	256.65	252.65	249.25	244.65
20.0	.7874	.6245	6	2 1/2	9 1/2	3416200	3426200	3435200	256.50	19.915 - 20.726	292.95	268.70	260.60	256.65	252.65	249.25	244.65
20.5	.8071	.6245	6	2 1/2	9 1/2	3416205	3426205	3435205	256.50	-	-	-	-	-	-	-	-
21.0	.8268	.6245	6	2 1/2	9 1/2	3416210	3426210	3435210	263.70	20.727 - 21.514	300.20	276.00	267.95	263.95	259.85	256.50	251.85
21.5	.8465	.6245	6	2 1/2	9 1/2	3416215	3426215	3435215	263.70	-	-	-	-	-	-	-	-
22.0	.8661	.7495	6	2 5/8	10	3416220	3426220	3435220	263.70	21.515 - 22.301	300.20	276.00	267.95	263.95	259.85	256.50	251.85
22.5	.8858	.7495	6	2 5/8	10	3416225	3426225	3435225	305.25	22.302 - 23.089	343.05	317.95	309.55	305.40	301.20	297.70	292.95
23.0	.9055	.7495	6	2 5/8	10	3416230	3426230	3435230	305.25	-	-	-	-	-	-	-	-
23.5	.9252	.7495	8	2 5/8	10	3416235	3426235	3435235	311.95	23.090 - 23.901	349.70	324.60	316.25	312.10	307.95	304.35	299.60
24.0	.9449	.7495	8	2 5/8	10	3416240	3426240	3435240	311.95	23.902 - 24.689	349.70	324.60	316.25	312.10	307.95	304.35	299.60
24.5	.9646	.7495	8	2 5/8	10	3416245	3426245	3435245	311.95	-	-	-	-	-	-	-	-
25.0	.9843	.8745	8	2 3/4	10 1/2	3416250	3426250	3435250	311.95	24.690 - 25.476	349.70	324.60	316.25	312.10	307.95	304.35	299.60
25.5	1.0039	.8745	8	2 3/4	10 1/2	3416255	3426255	3435255	329.00	25.477 - 27.076	366.75	341.75	333.30	329.15	325.00	321.45	316.60
26.0	1.0236	.8745	8	2 3/4	10 1/2	3416260	3426260	3435260	329.00	-	-	-	-	-	-	-	-
27.0	1.0630	.8745	8	2 3/4	10 1/2	3416270	3426270	3435270	329.00	-	-	-	-	-	-	-	-
28.0	1.1024	.8745	8	2 7/8	11	3416280	3426280	3435280	330.25	27.077 - 28.651	368.05	342.95	334.55	330.50	326.20	322.75	317.85
29.0	1.1417	.9995	8	2 7/8	11	3416290	3426290	3435290	343.10	28.652 - 30.239	381.10	355.85	347.50	343.40	339.25	335.70	330.80
30.0	1.1811	.9995	8	2 7/8	11	3416300	3426300	3435300	343.10	-	-	-	-	-	-	-	-
31.0	1.2205	.9995	8	3	11 1/2	3416310	3426310	3435310	347.50	30.240 - 31.826	385.30	360.25	351.85	347.70	343.45	340.00	335.15
32.0	1.2598	.9995	8	3	11 1/2	3416320	3426320	3435320	357.00	31.827 - 33.414	394.80	369.65	361.35	357.20	352.90	349.50	344.60
33.0	1.2992	.9995	8	3	11 1/2	3416330	3426330	3435330	357.00	-	-	-	-	-	-	-	-
34.0	1.3386	.9995	8	3 1/4	12	3416340	3426340	3435340	370.80	33.415 - 35.001	408.60	383.45	375.10	370.95	366.70	363.20	358.40
35.0	1.3780	.9995	8	3 1/4	12	3416350	3426350	3435350	370.80	-	-	-	-	-	-	-	-
36.0	1.4173	.9995	8	3 1/4	12	3416360	3426360	3435360	381.90	35.002 - 36.589	419.70	394.50	386.20	382.05	377.85	374.35	369.50
37.0	1.4567	1.2495	8	3 1/2	12 1/2	3416370	3426370	3435370	394.10	36.590 - 38.176	431.90	406.85	398.45	394.30	390.05	386.60	381.70
38.0	1.4961	1.2495	8	3 1/2	12 1/2	3416380	3426380	3435380	394.10	-	-	-	-	-	-	-	-

Phone 941-739-2726 • Fax 941-739-2827 • www.lexingtoncutter.com • LEXINGTON CUTTER, INC.

*1/2" carbide length.

CARBIDE TIPPED CENTER FED COOLANT REAMERS

TYPE 3414 - STRAIGHT SHANK & FLUTES - BLIND HOLES - FOR NON-FERROUS

TYPE 3424 - STRAIGHT SHANK & FLUTES - BLIND HOLES - FOR CAST IRON

TYPE 3434 - STRAIGHT SHANK & FLUTES - BLIND HOLES - FOR STEEL

Flute long carbide tips (.2841" tool diameter and larger) brazed to one piece hardened alloy steel bodies. Straight polished flutes.

For length center coolant feeding hole for flushing chips back towards shank. Tool geometry and carbide grade appropriate for material being machined.

For reamer tolerances and closer tolerance pricing, see page 60.



TOOL DIAMETER		MAX. SHANK DIAM.	NO. OF FLTS.	LENGTH		NON-FERR. TYPE 3414 EDP NO.	CAST IRON TYPE 3424 EDP NO.	STEEL TYPE 3434 EDP NO.	ALL TYPES PRICE	DECIMAL SIZE RANGE	PRICE EACH - FINISHED TO DECIMAL SIZE					
DECIMAL	FRACTIONAL			FLT	OAL						1 PC.	2 PC.	3 PC.	4 PC.	5-7	8-14**
.1875	3/16	.1805	4	1 1/4*	5	341406	342406	343406	\$155.15	.1770 - .2040	\$203.60	\$179.25	\$171.10	\$167.30	\$163.15	\$159.90
.2031	13/64	.1805	4	1 1/4*	5	34142031	34242031	34342031	155.15	-	-	-	-	-	-	-
.2188	7/32	.2075	4	1 1/4*	5	341407	342407	343407	155.15	.2041 - .2210	203.60	179.25	171.10	167.30	163.15	159.90
.2344	15/64	.2265	4	1 1/2*	6	34142344	34242344	34342344	155.15	.2211 - .2380	203.60	179.25	171.10	167.30	163.15	159.90
.2500	1/4	.2405	4	1 1/2*	6	341408	342408	343408	155.15	.2381 - .2530	203.60	179.25	171.10	167.30	163.15	159.90
.2656	17/64	.2485	4	1 1/2*	6	34142656	34242656	34342656	164.65	-	-	-	-	-	-	-
.2812	9/32	.2485	4	1 1/2*	6	341409	342409	343409	164.65	.2531 - .2840	213.10	188.75	180.70	176.75	172.60	169.40
.2969	19/64	.2792	4	1 1/2	6	34142969	34242969	34342969	173.85	-	-	-	-	-	-	-
.3125	5/16	.2792	4	1 1/2	6	341410	342410	343410	173.85	.2841 - .3150	222.40	198.05	189.90	185.95	181.85	178.60
.3281	21/64	.2792	4	1 1/2	6	34143281	34243281	34343281	175.20	-	-	-	-	-	-	-
.3438	11/32	.2792	4	1 1/2	6	341411	342411	343411	175.20	.3151 - .3470	223.65	199.40	191.30	187.35	183.25	180.00
.3594	23/64	.3105	4	1 3/4	7	34143594	34243594	34343594	177.05	-	-	-	-	-	-	-
.3750	3/8	.3105	4	1 3/4	7	341412	342412	343412	177.05	.3471 - .3780	225.50	201.15	193.05	189.15	185.00	181.80
.3906	25/64	.3105	4	1 3/4	7	34143906	34243906	34343906	177.55	-	-	-	-	-	-	-
.4062	13/32	.3105	4	1 3/4	7	341413	342413	343413	177.55	.3781 - .4090	226.00	201.80	193.65	189.80	185.65	182.30
.4219	27/64	.3730	6	1 3/4	7	34144219	34244219	34344219	179.35	-	-	-	-	-	-	-
.4375	7/16	.3730	6	1 3/4	7	341414	342414	343414	179.35	.4091 - .4410	227.85	203.60	195.35	191.60	187.35	184.15
.4531	29/64	.3730	6	1 3/4	7	34144531	34244531	34344531	180.90	-	-	-	-	-	-	-
.4688	15/32	.3730	6	1 3/4	7	341415	342415	343415	180.90	.4411 - .4720	229.45	205.15	197.00	193.15	188.90	185.70
.4844	31/64	.4355	6	2	8	34144844	34244844	34344844	183.00	-	-	-	-	-	-	-
.5000	1/2	.4355	6	2	8	341416	342416	343416	183.00	.4721 - .5030	231.50	207.25	199.15	195.20	191.15	187.75
.5156	33/64	.4355	6	2	8	34145156	34245156	34345156	187.15	-	-	-	-	-	-	-
.5312	17/32	.4355	6	2	8	341417	342417	343417	187.15	.5031 - .5340	235.50	211.25	203.15	199.30	195.15	191.80
.5625	9/16	.4355	6	2	8	341418	342418	343418	189.80	.5341 - .5660	238.25	213.90	205.85	202.05	197.80	194.55
.5938	19/32	.4355	6	2	8	341419	342419	343419	193.75	.5661 - .5970	242.20	217.95	209.75	206.00	201.80	198.50
.6250	5/8	.5615	6	2 1/4	9	341420	342420	343420	197.35	.5971 - .6280	245.90	221.55	213.45	209.55	205.45	202.20
.6562	21/32	.5615	6	2 1/4	9	341421	342421	343421	218.50	.6281 - .6590	266.95	242.70	234.45	230.75	226.55	223.25
.6875	11/16	.5615	6	2 1/4	9	341422	342422	343422	222.95	.6591 - .6910	271.40	247.25	239.00	235.20	231.00	227.70
.7188	23/32	.5615	6	2 1/4	9	341423	342423	343423	232.55	.6911 - .7220	281.00	256.80	248.70	244.80	240.65	237.30
.7500	3/4	.6245	6	2 1/2	9 1/2	341424	342424	343424	232.55	.7221 - .7530	281.00	256.80	248.70	244.80	240.65	237.30
.7812	25/32	.6245	6	2 1/2	9 1/2	341425	342425	343425	239.45	.7531 - .7840	287.90	263.65	255.55	251.70	247.45	244.20
.8125	13/16	.6245	6	2 1/2	9 1/2	341426	342426	343426	239.45	.7841 - .8160	287.90	263.65	255.55	251.70	247.45	244.20
.8438	27/32	.6245	6	2 1/2	9 1/2	341427	342427	343427	247.70	.8161 - .8470	296.15	271.85	263.70	259.85	255.70	252.35
.8750	7/8	.7495	6	2 5/8	10	341428	342428	343428	257.05	.8471 - .8780	307.35	282.10	273.65	269.65	265.35	261.95
.9062	29/32	.7495	6	2 5/8	10	341429	342429	343429	285.35	.8781 - .9090	335.70	310.45	302.00	298.05	293.70	290.35
.9375	15/16	.7495	8	2 5/8	10	341430	342430	343430	285.35	.9091 - .9410	335.70	310.45	302.00	298.05	293.70	290.35
.9688	31/32	.7495	8	2 5/8	10	341431	342431	343431	286.50	.9411 - .9720	336.80	311.65	303.25	299.15	294.80	291.45
1.0000	1	.8745	8	2 3/4	10 1/2	341432	342432	343432	286.50	.9721 - 1.0030	336.80	311.65	303.25	299.15	294.80	291.45
1.0625	1 1/16	.8745	8	2 3/4	10 1/2	341434	342434	343434	294.65	1.0031 - 1.0660	344.95	319.75	311.25	307.35	302.90	299.60
1.1250	1 1/8	.8745	8	2 7/8	11	341436	342436	343436	304.90	1.0661 - 1.1280	355.10	329.95	321.45	317.45	313.10	309.70
1.1875	1 3/16	.9995	8	2 7/8	11	341438	342438	343438	326.55	1.1281 - 1.1905	376.85	351.65	343.10	339.25	334.85	331.55
1.2500	1 1/4	.9995	8	3	11 1/2	341440	342440	343440	330.80	1.1906 - 1.2530	381.15	355.85	347.50	343.45	339.25	335.85
1.3125	1 3/8	.9995	8	3	11 1/2	341442	342442	343442	340.30	1.2531 - 1.3155	390.65	365.35	357.00	352.90	348.65	345.25
1.3750	1 3/8	.9995	8	3 1/4	12	341444	342444	343444	354.10	1.3156 - 1.3780	404.40	379.10	370.80	366.70	362.45	359.00
1.4375	1 7/16	.9995	8	3 1/4	12	341446	342446	343446	365.15	1.3781 - 1.4405	415.50	390.20	381.90	377.85	373.50	370.20
1.5000	1 1/2	1.2495	8	3 1/2	12 1/2	341448	342448	343448	377.40	1.4406 - 1.5030	427.70	402.55	394.10	390.05	385.75	382.35
1.5625	1 5/8	1.2495	8	3 1/2	12 1/2	341450	342450	343450	401.80	1.5031 - 1.5660	449.75	425.75	417.75	413.90	409.75	406.55
1.6250	1 5/8	1.2495	8	3 1/2	13	341452	342452	343452	439.85	1.5661 - 1.6280	487.80	463.80	455.80	451.95	447.80	444.60
1.6875	1 11/16	1.2495	8	3 1/2	13	341454	342454	343454	449.20	1.6281 - 1.6910	497.15	473.15	465.15	461.30	457.15	453.95
1.7500	1 3/4	1.2495	10	3 1/2	13 1/2	341456	342456	343456	491.95	1.6911 - 1.7530	539.90	515.90	507.90	504.05	499.90	496.70
1.8125	1 13/16	1.4995	10	3 1/2	13 1/2	341458	342458	343458	512.05	1.7531 - 1.8160	560.00	536.00	528.00	524.15	520.00	516.80
1.8750	1 7/8	1.4995	10	3 1/2	14	341460	342460	343460	540.55	1.8161 - 1.8780	588.50	564.50	556.50	552.65	548.50	545.30
1.9375	1 15/16	1.4995	10	3 1/2	14	341462	342462	343462	573.10	1.8781 - 1.9410	621.05	597.10	589.05	585.20	581.05	577.85
2.0000	2	1.4995	12	3 1/2	14	341464	342464	343464	595.15	1.9411 - 2.0030	643.10	619.10	611.10	607.25	603.10	599.90

LEXINGTON CUTTER, INC. • sales@lexingtoncutter.com • Phone 800-882-2627 • Fax 800-882-3637

CARBIDE TIPPED CENTER FED COOLANT REAMERS

METRIC

TYPE 3414 - STRAIGHT SHANK & FLUTES - BLIND HOLES - FOR NON-FERROUS
TYPE 3424 - STRAIGHT SHANK & FLUTES - BLIND HOLES - FOR CAST IRON
TYPE 3434 - STRAIGHT SHANK & FLUTES - BLIND HOLES - FOR STEEL



Detailed description and fractional sizes on page 110. Tolerances on page 60.
 Tool diameter in millimeters with all other dimensions in inches.

TOOL DIAMETER		MAX. SHANK DIAM.	NO. OF FLTS.	LENGTH		NON-FERR. TYPE 3414 EDP NO.	CAST IRON TYPE 3424 EDP NO.	STEEL TYPE 3434 EDP NO.	ALL TYPES PRICE	METRIC SIZE RANGE	PRICE EACH - FINISHED TO METRIC SIZE						
mm	INCH			FLT	OAL						1 PC.	2 PC.	3 PC.	4 PC.	5-7	8-14	15+
4.5	.1772	.1704	4	1 1/4*	5	3414045	3424045	3434045	\$171.10	4.494 - 4.696	\$207.60	\$183.40	\$175.25	\$171.40	\$167.30	\$163.90	\$159.25
5.0	.1969	.1805	4	1 1/4*	5	3414050	3424050	3434050	171.10	4.697 - 5.182	207.60	183.40	175.25	171.40	167.30	163.90	159.25
5.5	.2165	.2075	4	1 1/4*	5	3414055	3424055	3434055	171.10	5.183 - 5.613	207.60	183.40	175.25	171.40	167.30	163.90	159.25
6.0	.2362	.2265	4	1 1/2*	6	3414060	3424060	3434060	171.10	5.614 - 6.045	207.60	183.40	175.25	171.40	167.30	163.90	159.25
-	-	.2405	4	1 1/2*	6	3414063	3424063	3434063	-	6.046 - 6.426	207.60	183.40	175.25	171.40	167.30	163.90	159.25
6.5	.2559	.2485	4	1 1/2*	6	3414065	3424065	3434065	180.70	6.427 - 7.214	217.10	192.90	184.85	180.85	176.75	173.40	168.80
7.0	.2756	.2485	4	1 1/2*	6	3414070	3424070	3434070	180.70	-	-	-	-	-	-	-	-
7.5	.2953	.2792	4	1 1/2	6	3414075	3424075	3434075	189.90	7.215 - 8.001	226.30	202.20	194.10	190.10	185.95	182.70	177.95
8.0	.3150	.2792	4	1 1/2	6	3414080	3424080	3434080	189.90	-	-	-	-	-	-	-	-
8.5	.3346	.2792	4	1 1/2	6	3414085	3424085	3434085	191.30	8.002 - 8.814	227.70	203.60	195.35	191.45	187.35	184.00	179.35
9.0	.3543	.3105	4	1 3/4	7	3414090	3424090	3434090	193.05	8.815 - 9.601	229.50	205.30	197.20	193.20	189.15	185.80	181.20
9.5	.3740	.3105	4	1 3/4	7	3414095	3424095	3434095	193.05	-	-	-	-	-	-	-	-
10.0	.3937	.3105	4	1 3/4	7	3414100	3424100	3434100	193.65	9.602 - 10.389	230.10	206.00	197.80	193.80	189.80	186.40	181.80
10.5	.4134	.3730	6	1 3/4	7	3414105	3424105	3434105	195.35	10.390 - 11.201	231.90	207.70	199.60	195.65	191.60	188.25	183.50
11.0	.4331	.3730	6	1 3/4	7	3414110	3424110	3434110	195.35	-	-	-	-	-	-	-	-
11.5	.4528	.3730	6	1 3/4	7	3414115	3424115	3434115	197.00	11.202 - 11.989	233.50	209.25	201.15	197.20	193.15	189.80	185.20
12.0	.4724	.4355	6	2	8	3414120	3424120	3434120	199.15	11.990 - 12.776	235.50	211.45	203.25	199.30	195.20	191.80	187.20
12.5	.4921	.4355	6	2	8	3414125	3424125	3434125	199.15	-	-	-	-	-	-	-	-
13.0	.5118	.4355	6	2	8	3414130	3424130	3434130	203.15	12.777 - 13.564	239.65	215.50	207.30	203.30	199.30	195.90	191.30
13.5	.5315	.4355	6	2	8	3414135	3424135	3434135	203.15	-	-	-	-	-	-	-	-
14.0	.5512	.4355	6	2	8	3414140	3424140	3434140	205.85	13.565 - 14.376	242.35	218.05	210.05	206.05	202.05	198.55	193.90
14.5	.5709	.4355	6	2	8	3414145	3424145	3434145	209.75	14.377 - 15.164	246.25	222.00	213.90	210.05	206.00	202.55	197.90
15.0	.5906	.4355	6	2	8	3414150	3424150	3434150	209.75	-	-	-	-	-	-	-	-
15.5	.6102	.5615	6	2 1/4	9	3414155	3424155	3434155	213.45	15.165 - 15.951	249.90	225.80	217.65	213.60	209.55	206.20	201.55
16.0	.6299	.5615	6	2 1/4	9	3414160	3424160	3434160	234.45	15.952 - 16.739	271.05	246.80	238.70	234.85	230.75	227.35	222.65
16.5	.6496	.5615	6	2 1/4	9	3414165	3424165	3434165	234.45	-	-	-	-	-	-	-	-
17.0	.6693	.5615	6	2 1/4	9	3414170	3424170	3434170	239.00	16.740 - 17.551	275.50	251.30	243.25	239.30	235.20	231.80	227.15
17.5	.6890	.5615	6	2 1/4	9	3414175	3424175	3434175	239.00	-	-	-	-	-	-	-	-
18.0	.7087	.5615	6	2 1/4	9	3414180	3424180	3434180	248.70	17.552 - 18.339	285.10	261.05	252.80	248.85	244.80	241.35	236.75
18.5	.7283	.6245	6	2 1/2	9 1/2	3414185	3424185	3434185	248.70	18.340 - 19.126	285.10	261.05	252.80	248.85	244.80	241.35	236.75
19.0	.7480	.6245	6	2 1/2	9 1/2	3414190	3424190	3434190	248.70	-	-	-	-	-	-	-	-
19.5	.7677	.6245	6	2 1/2	9 1/2	3414195	3424195	3434195	255.55	19.127 - 19.914	291.90	267.80	259.70	255.70	251.70	248.20	243.60
20.0	.7874	.6245	6	2 1/2	9 1/2	3414200	3424200	3434200	255.55	19.915 - 20.726	291.90	267.80	259.70	255.70	251.70	248.20	243.60
20.5	.8071	.6245	6	2 1/2	9 1/2	3414205	3424205	3434205	255.55	-	-	-	-	-	-	-	-
21.0	.8268	.6245	6	2 1/2	9 1/2	3414210	3424210	3434210	263.70	20.727 - 21.514	300.20	276.00	267.95	263.95	259.85	256.50	251.85
21.5	.8465	.6245	6	2 1/2	9 1/2	3414215	3424215	3434215	263.70	-	-	-	-	-	-	-	-
22.0	.8661	.7495	6	2 5/8	10	3414220	3424220	3434220	263.70	21.515 - 22.301	300.20	276.00	267.95	263.95	259.85	256.50	251.85
22.5	.8858	.7495	6	2 5/8	10	3414225	3424225	3434225	302.00	22.302 - 23.089	339.90	314.75	306.35	302.30	298.05	294.55	289.70
23.0	.9055	.7495	6	2 5/8	10	3414230	3424230	3434230	302.00	-	-	-	-	-	-	-	-
23.5	.9252	.7495	8	2 5/8	10	3414235	3424235	3434235	302.00	23.090 - 23.901	339.90	314.75	306.35	302.30	298.05	294.55	289.70
24.0	.9449	.7495	8	2 5/8	10	3414240	3424240	3434240	303.25	23.902 - 24.689	341.00	315.95	307.50	303.40	299.15	295.70	290.85
24.5	.9646	.7495	8	2 5/8	10	3414245	3424245	3434245	303.25	-	-	-	-	-	-	-	-
25.0	.9843	.8745	8	2 3/4	10 1/2	3414250	3424250	3434250	303.25	24.690 - 25.476	341.00	315.95	307.50	303.40	299.15	295.70	290.85
25.5	1.0039	.8745	8	2 3/4	10 1/2	3414255	3424255	3434255	311.25	25.477 - 27.076	349.10	324.05	315.65	311.50	307.35	303.85	298.95
26.0	1.0236	.8745	8	2 3/4	10 1/2	3414260	3424260	3434260	311.25	-	-	-	-	-	-	-	-
27.0	1.0630	.8745	8	2 3/4	10 1/2	3414270	3424270	3434270	311.25	-	-	-	-	-	-	-	-
28.0	1.1024	.8745	8	2 7/8	11	3414280	3424280	3434280	321.45	27.077 - 28.651	359.35	334.20	325.80	321.65	317.45	314.00	309.10
29.0	1.1417	.9995	8	2 7/8	11	3414290	3424290	3434290	343.10	28.652 - 30.239	381.10	355.85	347.50	343.40	339.25	335.70	330.80
30.0	1.1811	.9995	8	2 7/8	11	3414300	3424300	3434300	343.10	-	-	-	-	-	-	-	-
31.0	1.2205	.9995	8	3	11 1/2	3414310	3424310	3434310	347.50	30.240 - 31.826	385.30	360.25	351.85	347.70	343.45	340.00	335.15
32.0	1.2598	.9995	8	3	11 1/2	3414320	3424320	3434320	357.00	31.827 - 33.414	394.80	369.65	361.35	357.20	352.90	349.50	344.60
33.0	1.2992	.9995	8	3	11 1/2	3414330	3424330	3434330	357.00	-	-	-	-	-	-	-	-
34.0	1.3386	.9995	8	3 1/4	12	3414340	3424340	3434340	370.80	33.415 - 35.001	408.60	383.45	375.10	370.95	366.70	363.20	358.40
35.0	1.3780	.9995	8	3 1/4	12	3414350	3424350	3434350	370.80	-	-	-	-	-	-	-	-
36.0	1.4173	.9995	8	3 1/4	12	3414360	3424360	3434360	381.90	35.002 - 36.589	419.70	394.50	386.20	382.05	377.85	374.35	369.50
37.0	1.4567	1.2495	8	3 1/2	12 1/2	3414370	3424370	3434370	394.10	36.590 - 38.176	431.90	406.85	398.45	394.30	390.05	386.60	381.70
38.0	1.4961	1.2495	8	3 1/2	12 1/2	3414380	3424380	3434380	394.10	-	-	-	-	-	-	-	-

Phone 941-739-2726 • Fax 941-739-2827 • www.lexingtoncutter.com • LEXINGTON CUTTER, INC.

*1/2" carbide length.

CARBIDE TIPPED RIGHT SPIRAL FLUTE FED COOLANT REAMERS

TYPE 3417 - STRAIGHT SHANK - RIGHT SPIRAL FLUTES - THROUGH HOLES - FOR NON-FERROUS

TYPE 3418 - STRAIGHT SHANK - RIGHT SPIRAL FLUTES - THROUGH HOLES - FOR CAST IRON

TYPE 3419 - STRAIGHT SHANK - RIGHT SPIRAL FLUTES - THROUGH HOLES - FOR STEEL

Flute long carbide tips (.2841" tool diameter and larger) brazed to one piece hardened alloy steel bodies.
Right spiral flutes.

Coolant feeding hole in each flute for flushing chips forward through the hole being reamed.
Tool geometry and carbide grade appropriate for material being machined.



For reamer tolerances and closer tolerance pricing, see page 60.

TOOL DIAMETER		MAX. SHANK DIAM.	NO. OF FLTS.	LENGTH		NON-FERR. TYPE 3417 EDP NO.	CAST IRON TYPE 3418 EDP NO.	STEEL TYPE 3419 EDP NO.	ALL TYPES PRICE	DECIMAL SIZE RANGE	PRICE EACH - FINISHED TO DECIMAL SIZE					
DECIMAL	FRACTIONAL			FLT	OAL						1 PC.	2 PC.	3 PC.	4 PC.	5-7	8-14**
.2500	1/4	.2405	4	1 1/2*	6	341708	341808	341908	\$170.65	.2381 - .2530	\$219.10	\$194.85	\$186.75	\$182.85	\$178.75	\$175.40
.2812	9/32	.2485	4	1 1/2*	6	341709	341809	341909	181.05	.2531 - .2840	229.50	205.25	197.10	193.20	189.05	185.80
.3125	5/16	.2792	4	1 1/2	6	341710	341810	341910	191.30	.2841 - .3150	239.75	215.50	207.30	203.55	199.30	196.05
.3438	11/32	.2792	4	1 1/2	6	341711	341811	341911	192.75	.3151 - .3470	241.20	216.95	208.80	205.00	200.80	197.60
.3750	3/8	.3105	4	1 3/4	7	341712	341812	341912	194.70	.3471 - .3780	243.25	218.90	210.75	206.95	202.70	199.50
.4062	13/32	.3105	4	1 3/4	7	341713	341813	341913	195.30	.3781 - .4090	243.75	219.50	211.45	207.55	203.30	200.05
.4375	7/16	.3730	6	1 3/4	7	341714	341814	341914	197.30	.4091 - .4410	245.80	221.50	213.40	209.45	205.30	202.10
.4688	15/32	.3730	6	1 3/4	7	341715	341815	341915	199.15	.4411 - .4720	247.60	223.25	215.10	211.25	207.10	203.85
.5000	1/2	.4355	6	2	8	341716	341816	341916	201.30	.4721 - .5030	249.75	225.55	217.50	213.55	209.40	206.15
.5312	17/32	.4355	6	2	8	341717	341817	341917	208.70	.5031 - .5340	257.20	232.85	224.75	220.95	216.65	213.45
.5625	9/16	.4355	6	2	8	341718	341818	341918	208.70	.5341 - .5660	257.20	232.85	224.75	220.95	216.65	213.45
.5938	19/32	.4355	6	2	8	341719	341819	341919	217.05	.5661 - .5970	265.50	241.20	233.05	229.30	224.95	221.80
.6250	5/8	.5615	6	2 1/4	9	341720	341820	341920	217.05	.5971 - .6280	265.50	241.20	233.05	229.30	224.95	221.80
.6562	21/32	.5615	6	2 1/4	9	341721	341821	341921	245.15	.6281 - .6590	293.60	269.40	261.25	257.35	253.15	249.90
.6875	11/16	.5615	6	2 1/4	9	341722	341822	341922	245.15	.6591 - .6910	293.60	269.40	261.25	257.35	253.15	249.90
.7188	23/32	.5615	6	2 1/4	9	341723	341823	341923	255.85	.6911 - .7220	304.30	280.05	272.00	268.10	263.95	260.60
.7500	3/4	.6245	6	2 1/2	9 1/2	341724	341824	341924	255.85	.7221 - .7530	304.30	280.05	272.00	268.10	263.95	260.60
.7812	25/32	.6245	6	2 1/2	9 1/2	341725	341825	341925	275.65	.7531 - .7840	324.10	299.85	291.75	287.90	283.75	280.50
.8125	13/16	.6245	6	2 1/2	9 1/2	341726	341826	341926	279.05	.7841 - .8160	327.50	303.25	295.10	291.30	287.10	283.80
.8438	27/32	.6245	6	2 1/2	9 1/2	341727	341827	341927	284.35	.8161 - .8470	332.85	308.50	300.35	296.45	292.35	289.10
.8750	7/8	.7495	6	2 5/8	10	341728	341828	341928	299.70	.8471 - .8780	350.00	324.75	316.30	312.25	308.00	304.50
.9062	29/32	.7495	6	2 5/8	10	341729	341829	341929	317.45	.8781 - .9090	367.75	342.60	334.10	330.10	325.80	322.40
.9375	15/16	.7495	8	2 5/8	10	341730	341830	341930	332.70	.9091 - .9410	383.00	357.80	349.35	345.40	341.00	337.70
.9688	31/32	.7495	8	2 5/8	10	341731	341831	341931	333.60	.9411 - .9720	383.90	358.75	350.30	346.20	341.90	338.50
1.0000	1	.8745	8	2 3/4	10 1/2	341732	341832	341932	334.10	.9721 - 1.0030	384.50	359.30	350.75	346.80	342.50	339.10
1.0625	1 1/16	.8745	8	2 3/4	10 1/2	341734	341834	341934	385.30	1.0031 - 1.0660	435.65	410.40	402.00	397.95	393.70	390.20
1.1250	1 1/8	.8745	8	2 7/8	11	341736	341836	341936	387.05	1.0661 - 1.1280	437.25	412.05	403.65	399.55	395.35	391.90
1.1875	1 3/16	.9995	8	2 7/8	11	341738	341838	341938	403.00	1.1281 - 1.1905	453.20	428.00	419.60	415.60	411.30	407.90
1.2500	1 1/4	.9995	8	3	11 1/2	341740	341840	341940	408.25	1.1906 - 1.2530	458.55	433.40	424.95	420.95	416.55	413.20
1.3125	1 5/16	.9995	8	3	11 1/2	341742	341842	341942	420.05	1.2531 - 1.3155	470.35	445.15	436.60	432.65	428.35	424.95
1.3750	1 3/8	.9995	8	3 1/4	12	341744	341844	341944	436.95	1.3156 - 1.3780	487.35	462.10	453.60	449.65	445.35	441.95
1.4375	1 7/16	.9995	8	3 1/4	12	341746	341846	341946	450.60	1.3781 - 1.4405	501.00	475.70	467.30	463.30	459.10	455.60
1.5000	1 1/2	1.2495	8	3 1/2	12 1/2	341748	341848	341948	465.75	1.4406 - 1.5030	516.05	490.90	482.45	478.35	474.05	470.65

LEXINGTON CUTTER, INC. • sales@lexingtoncutter.com • Phone 800-882-2627 • Fax 800-882-3637

CARBIDE TIPPED RIGHT SPIRAL CENTER FED COOLANT REAMERS

TYPE 3411 - STRAIGHT SHANK - RIGHT SPIRAL FLUTES - BLIND HOLES - FOR NON-FERROUS

TYPE 3413 - STRAIGHT SHANK - RIGHT SPIRAL FLUTES - BLIND HOLES - FOR CAST IRON

TYPE 3415 - STRAIGHT SHANK - RIGHT SPIRAL FLUTES - BLIND HOLES - FOR STEEL

Flute long carbide tips (.2841" tool diameter and larger) brazed to one piece hardened alloy steel bodies. Right spiral flutes.

Full length center coolant feeding hole for flushing chips back towards shank.
Tool geometry and carbide grade appropriate for material being machined.
For longer overall length reamers see page 121.



For reamer tolerances and closer tolerance pricing, see page 60.

TOOL DIAMETER		MAX. SHANK DIAM.	NO. OF FLTS.	LENGTH		NON-FERR. TYPE 3411 EDP NO.	CAST IRON TYPE 3413 EDP NO.	STEEL TYPE 3415 EDP NO.	ALL TYPES PRICE	DECIMAL SIZE RANGE	PRICE EACH - FINISHED TO DECIMAL SIZE					
DECIMAL	FRACTION			FLT.	OAL						1 PC.	2 PC.	3 PC.	4 PC.	5-7	8-14**
.2500	1/4	.2405	4	1 1/2*	6	341108	341308	341508	\$159.30	.2381 - .2530	\$204.50	\$181.85	\$174.30	\$170.65	\$166.75	\$163.70
.2812	9/32	.2485	4	1 1/2*	6	341109	341309	341509	162.95	.2531 - .2840	206.55	184.75	177.40	173.90	170.20	167.15
.3125	5/16	.2792	4	1 1/2	6	341110	341310	341510	178.60	.2841 - .3150	223.80	201.10	193.50	189.90	185.95	182.90
.3438	11/32	.2792	4	1 1/2	6	341111	341311	341511	179.85	.3151 - .3470	225.10	202.50	194.90	191.30	187.35	184.30
.3750	3/8	.3105	4	1 3/4	7	341112	341312	341512	181.80	.3471 - .3780	227.00	204.25	196.70	193.15	189.35	186.25
.4062	13/32	.3105	4	1 3/4	7	341113	341313	341513	182.30	.3781 - .4090	227.50	204.95	197.30	193.65	189.80	186.75
.4375	7/16	.3730	6	1 3/4	7	341114	341314	341514	184.15	.4091 - .4410	229.45	206.70	199.15	195.60	191.65	188.60
.4688	15/32	.3730	6	1 3/4	7	341115	341315	341515	185.80	.4411 - .4720	231.05	208.35	200.85	197.20	193.30	190.25
.5000	1/2	.4355	6	2	8	341116	341316	341516	193.00	.4721 - .5030	239.45	216.15	208.35	204.65	200.70	197.60
.5312	17/32	.4355	6	2	8	341117	341317	341517	199.95	.5031 - .5340	246.40	223.10	215.35	211.70	207.70	204.55
.5625	9/16	.4355	6	2	8	341118	341318	341518	199.95	.5341 - .5660	246.40	223.10	215.35	211.70	207.70	204.55
.5938	19/32	.4355	6	2	8	341119	341319	341519	207.90	.5661 - .5970	254.45	231.15	223.35	219.70	215.70	212.50
.6250	5/8	.5615	6	2 1/4	9	341120	341320	341520	207.90	.5971 - .6280	254.45	231.15	223.35	219.70	215.70	212.50
.6562	21/32	.5615	6	2 1/4	9	341121	341321	341521	235.00	.6281 - .6590	281.35	258.20	250.35	246.65	242.65	239.50
.6875	11/16	.5615	6	2 1/4	9	341122	341322	341522	235.00	.6591 - .6910	281.35	258.20	250.35	246.65	242.65	239.50
.7188	23/32	.5615	6	2 1/4	9	341123	341323	341523	245.15	.6911 - .7220	291.70	268.40	260.60	256.95	252.85	249.70
.7500	3/4	.6245	6	2 1/2	9 1/2	341124	341324	341524	230.30	.7221 - .7530	273.95	252.05	244.80	241.20	237.50	234.45
.7812	25/32	.6245	6	2 1/2	9 1/2	341125	341325	341525	264.25	.7531 - .7840	310.70	287.40	279.60	275.90	271.85	268.70
.8125	13/16	.6245	6	2 1/2	9 1/2	341126	341326	341526	267.40	.7841 - .8160	313.85	290.55	282.85	279.15	275.20	272.10
.8438	27/32	.6245	6	2 1/2	9 1/2	341127	341327	341527	272.45	.8161 - .8470	319.00	295.70	287.90	284.10	280.20	277.05
.8750	7/8	.7495	6	2 5/8	10	341128	341328	341528	287.15	.8471 - .8780	335.30	311.25	303.20	299.30	295.10	291.90
.9062	29/32	.7495	6	2 5/8	10	341129	341329	341529	304.20	.8781 - .9090	352.40	328.35	320.25	316.40	312.15	308.95
.9375	15/16	.7495	8	2 5/8	10	341130	341330	341530	318.85	.9091 - .9410	367.05	342.90	334.85	330.95	326.80	323.50
.9688	31/32	.7495	8	2 5/8	10	341131	341331	341531	319.75	.9411 - .9720	367.90	343.75	335.70	331.80	327.65	324.50
1.0000	1	.8745	8	2 3/4	10 1/2	341132	341332	341532	320.25	.9721 - 1.0030	368.40	344.30	336.20	332.35	328.25	325.00
1.0625	1 1/16	.8745	8	2 3/4	10 1/2	341134	341334	341534	329.15	1.0031 - 1.0660	377.30	353.25	345.20	341.25	337.10	333.90
1.1250	1 1/8	.8745	8	2 7/8	11	341136	341336	341536	340.60	1.0661 - 1.1280	388.90	364.60	356.60	352.75	348.65	345.40
1.1875	1 3/16	.9995	8	2 7/8	11	341138	341338	341538	364.85	1.1281 - 1.1905	413.05	388.95	380.80	377.00	372.80	369.50
1.2500	1 1/4	.9995	8	3	11 1/2	341140	341340	341540	369.50	1.1906 - 1.2530	417.75	393.65	385.55	381.70	377.60	374.35
1.3125	1 5/16	.9995	8	3	11 1/2	341142	341342	341542	380.30	1.2531 - 1.3155	428.45	404.25	396.15	392.35	388.20	384.95
1.3750	1 3/8	.9995	8	3 1/4	12	341144	341344	341544	395.70	1.3156 - 1.3780	443.95	419.75	411.65	407.90	403.65	400.40
1.4375	1 7/16	.9995	8	3 1/4	12	341146	341346	341546	408.05	1.3781 - 1.4405	456.20	432.05	424.00	420.10	415.95	412.75
1.5000	1 1/2	1.2495	8	3 1/2	12 1/2	341148	341348	341548	421.85	1.4406 - 1.5030	470.00	445.85	437.80	433.85	429.75	426.60

Phone 941-739-2726 • Fax 941-739-2827 • www.lexingtoncutter.com • LEXINGTON CUTTER, INC.

*1/2" carbide length. **Quantities of 15 or more: price of fractional size in same size range.

CARBIDE TIPPED LEFT SPIRAL COOLANT REAMERS

TYPE 3427 - STRAIGHT SHANK - LEFT SPIRAL FLUTES - THROUGH HOLES - FOR NON-FERROUS

TYPE 3428 - STRAIGHT SHANK - LEFT SPIRAL FLUTES - THROUGH HOLES - FOR CAST IRON

TYPE 3429 - STRAIGHT SHANK - LEFT SPIRAL FLUTES - THROUGH HOLES - FOR STEEL

Flute long carbide tips (.2841" tool diameter and larger) brazed to one piece hardened alloy steel bodies.
Left spiral flutes.

Coolant feeding hole in each flute for flushing chips forward through the hole being reamed.
Tool geometry and carbide grade appropriate for material being machined.
For longer overall length reamers, see page 123.



For reamer tolerances and closer tolerance pricing, see page 60.

TOOL DIAMETER		MAX. SHANK DIAM.	NO. OF FLTS.	LENGTH		NON-FERR. TYPE 3427 EDP NO.	CAST IRON TYPE 3428 EDP NO.	STEEL TYPE 3429 EDP NO.	ALL TYPES PRICE	DECIMAL SIZE RANGE	PRICE EACH - FINISHED TO DECIMAL SIZE					
DECIMAL	FRACTIONAL			FLT.	OAL						1 PC.	2 PC.	3 PC.	4 PC.	5-7	8-14**
.2500	1/4	.2405	4	1 1/2*	6	342708	342808	342908	\$197.30	.2381 - .2530	\$245.80	\$221.50	\$213.40	\$209.45	\$205.30	\$202.10
.2812	9/32	.2485	4	1 1/2*	6	342709	342809	342909	209.25	.2531 - .2840	257.70	233.50	225.40	221.50	217.40	214.05
.3125	5/16	.2792	4	1 1/2	6	342710	342810	342910	221.10	.2841 - .3150	269.55	245.25	237.15	233.30	229.05	225.85
.3438	11/32	.2792	4	1 1/2	6	342711	342811	342911	222.80	.3151 - .3470	271.20	246.85	238.85	235.00	230.85	227.50
.3750	3/8	.3105	4	1 3/4	7	342712	342812	342912	224.95	.3471 - .3780	273.60	249.25	241.15	237.20	233.05	229.85
.4062	13/32	.3105	4	1 3/4	7	342713	342813	342913	225.95	.3781 - .4090	274.40	250.20	241.95	238.20	233.95	230.75
.4375	7/16	.3730	6	1 3/4	7	342714	342814	342914	228.10	.4091 - .4410	276.60	252.30	244.20	240.35	236.25	232.85
.4688	15/32	.3730	6	1 3/4	7	342715	342815	342915	230.10	.4411 - .4720	278.55	254.30	246.20	242.35	238.20	234.90
.5000	1/2	.4355	6	2	8	342716	342816	342916	233.05	.4721 - .5030	281.60	257.25	249.15	245.25	241.15	237.90
.5312	17/32	.4355	6	2	8	342717	342817	342917	237.95	.5031 - .5340	286.40	262.05	254.05	250.20	245.95	242.70
.5625	9/16	.4355	6	2	8	342718	342818	342918	241.35	.5341 - .5660	289.90	265.55	257.45	253.60	249.40	246.20
.5938	19/32	.4355	6	2	8	342719	342819	342919	246.40	.5661 - .5970	294.85	270.70	262.50	258.65	254.50	251.25
.6250	5/8	.5615	6	2 1/4	9	342720	342820	342920	251.00	.5971 - .6280	299.45	275.20	267.05	263.20	259.05	255.75
.6562	21/32	.5615	6	2 1/4	9	342721	342821	342921	277.95	.6281 - .6590	326.50	302.20	294.05	290.20	286.05	282.70
.6875	11/16	.5615	6	2 1/4	9	342722	342822	342922	283.60	.6591 - .6910	332.05	307.85	299.70	295.85	291.70	288.40
.7188	23/32	.5615	6	2 1/4	9	342723	342823	342923	289.70	.6911 - .7220	338.15	313.80	305.70	301.85	297.70	294.45
.7500	3/4	.6245	6	2 1/2	9 1/2	342724	342824	342924	295.85	.7221 - .7530	344.30	320.00	311.85	308.10	303.85	300.60
.7812	25/32	.6245	6	2 1/2	9 1/2	342725	342825	342925	300.90	.7531 - .7840	349.35	325.05	316.90	313.05	308.80	305.65
.8125	13/16	.6245	6	2 1/2	9 1/2	342726	342826	342926	304.50	.7841 - .8160	352.90	328.70	320.60	316.70	312.60	309.25
.8438	27/32	.6245	6	2 1/2	9 1/2	342727	342827	342927	310.10	.8161 - .8470	358.60	334.35	326.10	322.25	318.10	314.85
.8750	7/8	.7495	6	2 5/8	10	342728	342828	342928	326.95	.8471 - .8780	377.25	352.10	343.55	339.55	335.25	331.80
.9062	29/32	.7495	6	2 5/8	10	342729	342829	342929	346.15	.8781 - .9090	396.45	371.20	362.85	358.85	354.55	351.10
.9375	15/16	.7495	8	2 5/8	10	342730	342830	342930	363.05	.9091 - .9410	413.30	388.15	379.70	375.65	371.30	367.95
.9688	31/32	.7495	8	2 5/8	10	342731	342831	342931	364.05	.9411 - .9720	414.25	389.10	380.55	376.55	372.25	368.85
1.0000	1	.8745	8	2 3/4	10 1/2	342732	342832	342932	364.45	.9721 - 1.0030	414.80	389.60	381.15	377.10	372.80	369.35
1.0625	1 1/16	.8745	8	2 3/4	10 1/2	342734	342834	342934	385.30	1.0031 - 1.0660	435.65	410.40	402.00	397.95	393.70	390.20
1.1250	1 1/8	.8745	8	2 7/8	11	342736	342836	342936	387.05	1.0661 - 1.1280	437.25	412.05	403.65	399.55	395.35	391.90
1.1875	1 3/16	.9995	8	2 7/8	11	342738	342838	342938	403.00	1.1281 - 1.1905	453.20	428.00	419.60	415.60	411.30	407.90
1.2500	1 1/4	.9995	8	3	11 1/2	342740	342840	342940	408.25	1.1906 - 1.2530	458.55	433.40	424.95	420.95	416.55	413.20
1.3125	1 5/16	.9995	8	3	11 1/2	342742	342842	342942	420.05	1.2531 - 1.3155	470.35	445.15	436.60	432.65	428.35	424.95
1.3750	1 3/8	.9995	8	3 1/4	12	342744	342844	342944	436.95	1.3156 - 1.3780	487.35	462.10	453.60	449.65	445.35	441.95
1.4375	1 7/16	.9995	8	3 1/4	12	342746	342846	342946	450.60	1.3781 - 1.4405	501.00	475.70	467.30	463.30	459.10	455.60
1.5000	1 1/2	1.2495	8	3 1/2	12 1/2	342748	342848	342948	465.75	1.4406 - 1.5030	516.05	490.90	482.45	478.35	474.05	470.65

LEXINGTON CUTTER, INC. • sales@lexingtoncutter.com • Phone 800-882-2627 • Fax 800-882-3637

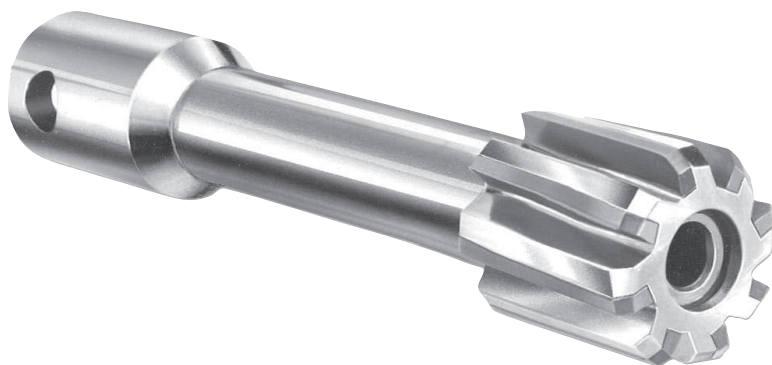
CARBIDE TIPPED COOLANT REAMERS

TYPE 3490 - RIGHT SPIRAL FLUTE LONG CARBIDE

Flute long carbide tips brazed to one piece hardened alloy steel bodies.

Similar to Barber-Colman/Metcut OFC reamer. Full length coolant hole. Right spiral polished flutes: 2° to 5°. Positive face rake angles (behind center). Shank cross hole for use in floating holder.

Designed and manufactured to cut smooth accurate holes and maximize tool life.



Tool diameter tolerance: +.0003"/-.0000".
For closer tolerance pricing, see page 60.

TOOL DIAMETER		SHANK DIAM.	SHANK LEN.	NO. OF FLUTES	LENGTH		EDP NO.	PRICE EACH	DECIMAL SIZE RANGE	PRICE EACH - FINISHED TO DECIMAL SIZE					
DECIMAL	FRACTIONAL				FLT	OAL				1 PC.	2 PC.	3 PC.	4 PC.	5-7	8-14*
.3750	3/8	3/8	3/4	6	1/2	2 1/2	349012	\$150.70	.3181 - .3800	\$243.60	\$197.00	\$181.50	\$174.05	\$166.15	\$159.85
.4062	13/32	3/8	3/4	6	1/2	2 5/8	349013	152.95	.3801 - .4090	245.80	199.30	183.65	176.20	168.30	162.05
.4375	7/16	3/8	3/4	6	1/2	2 5/8	349014	152.95	.4091 - .4410	245.80	199.30	183.65	176.20	168.30	162.05
.4688	15/32	5/8	1	6	5/8	3 1/2	349015	157.10	.4411 - .4720	250.00	203.45	187.95	180.45	172.45	166.20
.5000	1/2	5/8	1	6	5/8	3 1/2	349016	157.10	.4721 - .5050	250.00	203.45	187.95	180.45	172.45	166.20
.5625	9/16	5/8	1	6	3/4	3 3/4	349018	171.70	.5051 - .5660	264.60	218.00	202.50	195.05	187.15	180.85
.6250	5/8	5/8	1	6	3/4	3 3/4	349020	171.70	.5661 - .6300	264.60	218.00	202.50	195.05	187.15	180.85
.6875	11/16	5/8	1	6	3/4	4 1/4	349022	190.45	.6301 - .6910	283.45	236.85	221.35	213.85	205.90	199.60
.7500	3/4	5/8	1	6	3/4	4 1/4	349024	190.45	.6911 - .7550	283.45	236.85	221.35	213.85	205.90	199.60
.8125	13/16	5/8	1	6	7/8	4 3/4	349026	200.95	.7551 - .8160	293.85	247.40	231.75	224.30	216.35	210.15
.8750	7/8	5/8	1	6	7/8	4 3/4	349028	208.50	.8161 - .8800	304.95	256.65	240.50	232.75	224.55	218.00
.9375	15/16	1	1 1/2	8	1	5 1/2	349030	249.90	.8801 - .9410	346.30	298.05	281.90	274.15	265.95	259.40
1.0000	1	1	1 1/2	8	1	5 1/2	349032	249.90	.9411 - 1.0050	346.30	298.05	281.90	274.15	265.95	259.40
1.0625	1 1/16	1	1 1/2	8	1 1/4	6	349034	276.60	1.0051 - 1.0660	377.10	326.70	309.95	301.85	293.15	286.40
1.1250	1 1/8	1	1 1/2	8	1 1/4	6	349036	276.60	1.0661 - 1.1300	377.10	326.70	309.95	301.85	293.15	286.40
1.1875	1 3/16	1	1 1/2	8	1 1/4	6	349038	283.45	1.1301 - 1.1900	384.00	333.60	316.75	308.65	300.15	293.25
1.2500	1 1/4	1	1 1/2	8	1 1/4	6	349040	283.45	1.1901 - 1.2550	384.00	333.60	316.75	308.65	300.15	293.25
1.3125	1 5/16	1	1 1/2	8	1 1/4	6	349042	303.90	1.2551 - 1.3155	404.55	354.10	337.15	329.15	320.55	313.70
1.3750	1 3/8	1	1 1/2	8	1 1/4	6	349044	303.90	1.3156 - 1.3800	404.55	354.10	337.15	329.15	320.55	313.70
1.4375	1 7/16	1	1 1/2	8	1 1/4	6	349046	324.25	1.3801 - 1.4405	424.85	374.40	357.50	349.55	340.95	334.10
1.5000	1 1/2	1	1 1/2	8	1 1/4	6	349048	324.25	1.4406 - 1.5050	424.85	374.40	357.50	349.55	340.95	334.10
1.5625	1 9/16	1	1 1/2	10	1 1/4	6	349050	340.05	1.5051 - 1.5660	440.65	390.20	373.45	365.35	356.75	350.00
1.6250	1 5/8	1	1 1/2	10	1 1/4	6	349052	340.05	1.5661 - 1.6300	440.65	390.20	373.45	365.35	356.75	350.00
1.6875	1 11/16	1	1 1/2	10	1 1/4	6	349054	360.55	1.6301 - 1.6910	461.15	410.75	393.95	385.85	377.25	370.40
1.7500	1 3/4	1	1 1/2	10	1 1/4	6	349056	360.55	1.6911 - 1.7550	461.15	410.75	393.95	385.85	377.25	370.40
1.8125	1 13/16	1	1 1/2	10	1 1/4	6	349058	378.65	1.7551 - 1.8160	479.25	428.80	411.95	403.95	395.35	388.50
1.8750	1 7/8	1	1 1/2	10	1 1/4	6	349060	378.65	1.8161 - 1.8800	479.25	428.80	411.95	403.95	395.35	388.50
1.9375	1 15/16	1	1 1/2	10	1 1/4	6	349062	396.80	1.8801 - 1.9410	497.30	446.90	430.05	422.10	413.35	406.70
2.0000	2	1	1 1/2	10	1 1/4	6	349064	396.80	1.9411 - 2.0150	497.30	446.90	430.05	422.10	413.35	406.70

Phone 941-739-2726 • Fax 941-739-2827 • www.lexingtoncutter.com • LEXINGTON CUTTER, INC.

*Quantities of 15 or more: price of fractional size in same size range.

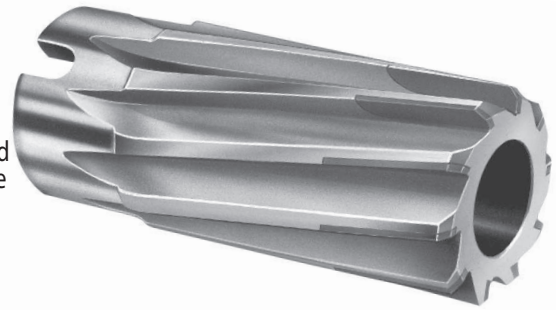
Made in U.S.A.

CARBIDE TIPPED LEFT SPIRAL SHELL REAMERS

TYPE 3441 - LEFT SPIRAL FLUTES

Carbide tips brazed to one piece hardened alloy steel bodies.

Similar to type 3431 on page 117 except with left spiral flutes for use on thru holes only. Left spiral flutes should only be used on through holes and very hard materials. Finishes are much better as spiral flutes tend to bridge interruptions such as keyways, slots or intersecting holes.



Arbor hole tapered 1/8" per foot with drive slots.
Tool diameter tolerance thru 1": +.0001"/+.0005"
over 1": +.0002"/+.0006"

TOOL DIAMETER		HOLE DIAM. LG. END	FITS ARBOR NO.	NO. OF FLTS.	LENGTH			EDP NO.	PRICE EACH	DECIMAL SIZE RANGE	PRICE EACH - FINISHED TO DECIMAL SIZE					
DECIMAL	FRACTIONAL				FLT	CARB	OAL				1 PC.	2 PC.	3 PC.	4 PC.	5-7	8-14*
.7500	3/8	3/8	4	6	1 3/4	1	2 1/4	344124	\$291.55	.7221 - .7530	\$384.45	\$338.00	\$322.30	\$314.90	\$306.95	\$300.65
.7812	25/32	3/8	4	6	1 3/4	1	2 1/4	344125	297.15	.7531 - .7840	390.00	343.55	327.90	320.55	312.60	306.35
.8125	13/16	1/2	5	6	1 15/16	1	2 1/2	344126	297.15	.7841 - .8160	390.00	343.55	327.90	320.55	312.60	306.35
.8750	7/8	1/2	5	6	1 15/16	1	2 1/2	344128	332.25	.8161 - .8780	428.60	380.35	364.15	356.55	348.15	341.70
.9375	15/16	1/2	5	8	1 15/16	1	2 1/2	344130	332.25	.8781 - .9410	428.60	380.35	364.15	356.55	348.15	341.70
1.0000	1	1/2	5	8	1 15/16	1	2 1/2	344132	338.20	.9411 - 1.0030	434.50	386.30	370.10	362.45	354.10	347.65
1.0625	1 1/16	5/8	6	8	2 1/8	1	2 3/4	344134	348.75	1.0031 - 1.0660	445.05	396.80	380.55	372.95	364.60	358.15
1.1250	1 1/8	5/8	6	8	2 1/8	1	2 3/4	344136	355.95	1.0661 - 1.1280	452.30	404.00	387.90	380.30	371.95	365.35
1.1875	1 3/16	5/8	6	8	2 1/8	1 1/8	2 3/4	344138	361.85	1.1281 - 1.1905	458.35	409.95	393.80	386.20	377.85	371.30
1.2500	1 1/4	5/8	6	8	2 1/8	1 1/8	2 3/4	344140	385.55	1.1906 - 1.2530	481.95	433.60	417.45	409.80	401.55	395.05
1.3125	1 5/16	3/4	7	8	2 1/4	1 1/8	3	344142	391.55	1.2531 - 1.3155	487.95	439.65	423.55	415.80	407.50	401.00
1.3750	1 3/8	3/4	7	8	2 1/4	1 1/8	3	344144	403.45	1.3156 - 1.3780	499.80	451.50	435.35	427.60	419.30	412.85
1.4375	1 7/16	3/4	7	8	2 1/4	1 1/8	3	344146	415.20	1.3781 - 1.4405	511.60	463.30	447.20	439.50	431.20	424.55
1.5000	1 1/2	3/4	7	8	2 1/4	1 1/8	3	344148	433.05	1.4406 - 1.5030	529.50	481.10	465.00	457.35	449.00	442.55
1.5625	1 5/8	3/4	7	10	2 1/4	1 1/8	3	344150	501.45	1.5031 - 1.5660	602.05	551.70	534.75	526.75	518.20	511.30
1.6250	1 5/8	3/4	7	10	2 1/4	1 1/8	3	344152	526.15	1.5661 - 1.6280	626.70	576.40	559.45	551.40	542.75	535.95
1.6875	1 11/16	1	8	10	2 3/4	1 1/8	3 1/2	344154	569.35	1.6281 - 1.6910	670.05	619.65	602.75	594.80	586.10	579.35
1.7500	1 3/4	1	8	10	2 3/4	1 1/8	3 1/2	344156	569.35	1.6911 - 1.7530	670.05	619.65	602.75	594.80	586.10	579.35
1.8125	1 13/16	1	8	10	2 3/4	1 1/8	3 1/2	344158	612.35	1.7531 - 1.8160	712.90	662.45	645.60	637.60	629.00	622.15
1.8750	1 7/8	1	8	10	2 3/4	1 1/8	3 1/2	344160	612.35	1.8161 - 1.8780	712.90	662.45	645.60	637.60	629.00	622.15
1.9375	1 15/16	1	8	10	2 3/4	1 1/8	3 1/2	344162	656.15	1.8781 - 1.9410	756.75	706.30	689.45	681.40	672.75	665.95
2.0000	2	1	8	10	2 3/4	1 1/8	3 1/2	344164	656.15	1.9411 - 2.0030	756.75	706.30	689.45	681.40	672.75	665.95
2.0625	2 1/16	1 1/4	9	12	2 7/8	1 1/8	3 3/4	344166	705.55	2.0031 - 2.0660	806.20	755.80	738.90	730.85	722.35	715.45
2.1250	2 1/8	1 1/4	9	12	2 7/8	1 1/8	3 3/4	344168	705.55	2.0661 - 2.1280	806.20	755.80	738.90	730.85	722.35	715.45
2.1875	2 3/16	1 1/4	9	12	2 7/8	1 1/8	3 3/4	344170	767.60	2.1281 - 2.1905	868.05	817.70	800.75	792.85	784.15	777.40
2.2500	2 1/4	1 1/4	9	12	2 7/8	1 1/8	3 3/4	344172	767.60	2.1906 - 2.2530	868.05	817.70	800.75	792.85	784.15	777.40
2.3125	2 5/16	1 1/4	9	12	2 7/8	1 1/8	3 3/4	344174	810.85	2.2531 - 2.3155	911.55	861.15	844.25	836.25	827.55	820.80
2.3750	2 3/8	1 1/4	9	12	2 7/8	1 1/8	3 3/4	344176	810.85	2.3156 - 2.3780	911.55	861.15	844.25	836.25	827.55	820.80
2.4375	2 7/16	1 1/4	9	12	2 7/8	1 1/8	3 3/4	344178	854.20	2.3781 - 2.4405	954.80	904.35	887.60	879.40	870.90	864.00
2.5000	2 1/2	1 1/4	9	12	2 7/8	1 1/8	3 3/4	344180	854.20	2.4406 - 2.5030	954.80	904.35	887.60	879.40	870.90	864.00
2.5625	2 9/16	1 1/2	10	14	3 1/8	1 1/8	4	344182	937.75	2.5031 - 2.5660	1038.20	987.90	971.00	963.05	954.35	947.60
2.6250	2 5/8	1 1/2	10	14	3 1/8	1 1/8	4	344184	972.55	2.5661 - 2.6280	1073.15	1022.70	1005.95	997.85	989.25	982.40

*Quantities of 15 or more: price of fractional size in same size range.

SHELL REAMER ARBORS

TYPE 3481 - SHELL REAMER ARBORS

Hardened and ground steel bodies.

Shell reamer arbors for types 3441 and 3431.



STRAIGHT SHANK



TAPER SHANK

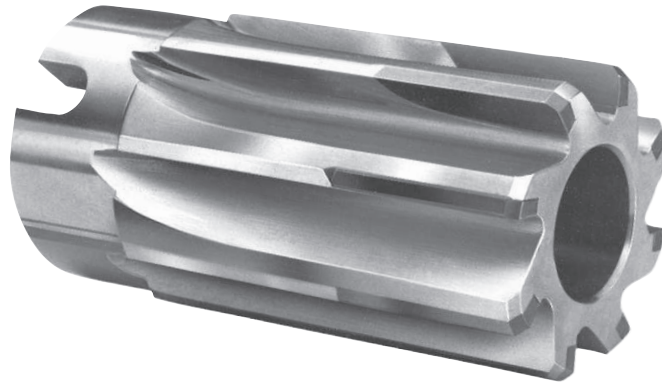
ARBOR NO.	FITS REAMER TOOL DIAM.	OAL	STRAIGHT SHANK			TAPER SHANK		
			SHANK DIAM.	TYPE 3481 EDP NO.	PRICE EACH	TAPER SHANK NO.	TYPE 3481 EDP NO.	PRICE EACH
4	.7221 - .7840	9	1/2	348104	\$142.40	2	348114	\$169.85
5	.7841 - 1.0030	9 1/2	5/8	348105	158.85	2	348115	202.70
6	1.0031 - 1.2530	10	3/4	348106	175.40	3	348116	219.20
7	1.2531 - 1.6280	11	7/8	348107	191.80	3	348117	241.15
8	1.6281 - 2.0030	12	1 1/8	348108	213.70	4	348118	268.55
9	2.0031 - 2.5030	13	1 3/8	348109	257.55	4	348119	301.40
10	2.5031 - 3.0030	14	1 5/8	348110	334.80	5	348120	382.35

CARBIDE TIPPED SHELL REAMERS

TYPE 3431 - STRAIGHT FLUTES

Carbide tips brazed to one piece hardened alloy steel bodies. Straight polished flutes.

Shell reamers are used with an arbor which is tapered to fit the hole in the reamer. Drive slot in the reamer engage lugs on the arbor to supplement the rotational drive from the tapered arbor. The space between the reamer's drive end and the arbor collar permits easy removal of the shell reamer by prying. For shell reamer arbors (straight or taper shank), see page 116.



Arbor hole tapered 1/8" per foot with drive slots.
Tool diameter tolerance thru 1": +.0001"/+.0005".
over 1": +.0002"/+.0006".

TOOL DIAMETER		HOLE DIAM. LG. END	FITS ARBOR NO.	NO. OF FLTS.	LENGTH			EDP NO.	PRICE EACH	DECIMAL SIZE RANGE	PRICE EACH - FINISHED TO DECIMAL SIZE					
DECIMAL	FRACTIONAL				FLT	CARB	OAL				1 PC.	2 PC.	3 PC.	4 PC.	5-7	8-14*
.7500	3/4	3/8	4	6	1 3/4	1	2 1/4	343124	\$224.30	.7221 - .7530	\$317.20	\$270.75	\$255.10	\$247.70	\$239.75	\$233.50
.7812	25/32	3/8	4	6	1 3/4	1	2 1/4	343125	228.70	.7531 - .7840	321.60	275.00	259.55	252.05	244.10	237.90
.8125	13/16	1/2	5	6	1 15/16	1	2 1/2	343126	228.70	.7841 - .8160	321.60	275.00	259.55	252.05	244.10	237.90
.8750	7/8	1/2	5	6	1 15/16	1	2 1/2	343128	255.55	.8161 - .8780	352.00	303.65	287.45	279.90	271.50	264.95
.9375	15/16	1/2	5	8	1 15/16	1	2 1/2	343130	255.55	.8781 - .9410	352.00	303.65	287.45	279.90	271.50	264.95
1.0000	1	1/2	5	8	1 15/16	1	2 1/2	343132	260.20	.9411 - 1.0030	356.60	308.30	292.20	284.50	276.10	269.65
1.0625	1 1/16	5/8	6	8	2 1/8	1	2 3/4	343134	269.25	1.0031 - 1.0660	365.65	317.35	301.10	293.55	285.20	278.70
1.1250	1 1/8	5/8	6	8	2 1/8	1	2 3/4	343136	273.80	1.0661 - 1.1280	370.20	321.95	305.70	298.05	289.75	283.30
1.1875	1 3/16	5/8	6	8	2 1/8	1 1/8	2 3/4	343138	278.45	1.1281 - 1.1905	374.70	326.55	310.30	302.65	294.35	287.90
1.2500	1 1/4	5/8	6	8	2 1/8	1 1/8	2 3/4	343140	296.65	1.1906 - 1.2530	393.05	344.75	328.55	320.85	312.70	306.10
1.3125	1 5/16	3/4	7	8	2 1/4	1 1/8	3	343142	301.10	1.2531 - 1.3155	397.55	349.35	333.15	325.45	317.20	310.70
1.3750	1 3/8	3/4	7	8	2 1/4	1 1/8	3	343144	310.25	1.3156 - 1.3780	406.70	358.30	342.20	334.50	326.20	319.75
1.4375	1 7/16	3/4	7	8	2 1/4	1 1/8	3	343146	319.45	1.3781 - 1.4405	415.80	367.50	351.40	343.70	335.30	328.95
1.5000	1 1/2	3/4	7	8	2 1/4	1 1/8	3	343148	333.15	1.4406 - 1.5030	429.55	381.25	365.05	357.35	349.05	342.60
1.5625	1 9/16	3/4	7	10	2 1/4	1 1/8	3	343150	385.70	1.5031 - 1.5660	486.25	435.90	419.00	410.90	402.25	395.50
1.6250	1 5/8	3/4	7	10	2 1/4	1 1/8	3	343152	404.70	1.5661 - 1.6280	505.30	454.90	438.00	430.00	421.30	414.55
1.6875	1 11/16	1	8	10	2 3/4	1 1/8	3 1/2	343154	438.10	1.6281 - 1.6910	538.75	488.30	471.45	463.40	454.75	448.00
1.7500	1 3/4	1	8	10	2 3/4	1 1/8	3 1/2	343156	438.10	1.6911 - 1.7530	538.75	488.30	471.45	463.40	454.75	448.00
1.8125	1 13/16	1	8	10	2 3/4	1 1/8	3 1/2	343158	471.30	1.7531 - 1.8160	571.85	521.55	504.65	496.60	487.95	481.20
1.8750	1 7/8	1	8	10	2 3/4	1 1/8	3 1/2	343160	471.30	1.8161 - 1.8780	571.85	521.55	504.65	496.60	487.95	481.20
1.9375	1 15/16	1	8	10	2 3/4	1 1/8	3 1/2	343162	504.80	1.8781 - 1.9410	605.25	554.85	538.00	530.10	521.40	514.65
2.0000	2	1	8	10	2 3/4	1 1/8	3 1/2	343164	504.80	1.9411 - 2.0030	605.25	554.85	538.00	530.10	521.40	514.65
2.0625	2 1/16	1 1/4	9	12	2 7/8	1 1/8	3 3/4	343166	542.75	2.0031 - 2.0660	643.40	593.00	576.10	568.15	559.45	552.70
2.1250	2 1/8	1 1/4	9	12	2 7/8	1 1/8	3 3/4	343168	542.75	2.0661 - 2.1280	643.40	593.00	576.10	568.15	559.45	552.70
2.1875	2 3/16	1 1/4	9	12	2 7/8	1 1/8	3 3/4	343170	590.40	2.1281 - 2.1905	690.95	640.55	623.75	615.65	607.10	600.20
2.2500	2 1/4	1 1/4	9	12	2 7/8	1 1/8	3 3/4	343172	590.40	2.1906 - 2.2530	690.95	640.55	623.75	615.65	607.10	600.20
2.3125	2 5/16	1 1/4	9	12	2 7/8	1 1/8	3 3/4	343174	623.75	2.2531 - 2.3155	724.35	673.90	657.10	648.95	640.35	633.60
2.3750	2 3/8	1 1/4	9	12	2 7/8	1 1/8	3 3/4	343176	623.75	2.3156 - 2.3780	724.35	673.90	657.10	648.95	640.35	633.60
2.4375	2 7/16	1 1/4	9	12	2 7/8	1 1/8	3 3/4	343178	657.20	2.3781 - 2.4405	757.75	707.35	690.50	682.40	673.75	667.00
2.5000	2 1/2	1 1/4	9	12	2 7/8	1 1/8	3 3/4	343180	657.20	2.4406 - 2.5030	757.75	707.35	690.50	682.40	673.75	667.00
2.5625	2 9/16	1 1/2	10	14	3 1/8	1 1/8	4	343182	721.35	2.5031 - 2.5660	821.85	771.45	754.70	746.60	738.00	731.15
2.6250	2 5/8	1 1/2	10	14	3 1/8	1 1/8	4	343184	748.10	2.5661 - 2.6280	848.65	798.15	781.45	773.30	764.70	757.90
2.6875	2 11/16	1 1/2	10	14	3 1/8	1 1/8	4	343186	777.15	2.6281 - 2.6910	877.70	827.35	810.50	802.45	793.80	787.05
2.7500	2 3/4	1 1/2	10	14	3 1/8	1 1/8	4	343188	804.10	2.6911 - 2.7530	904.70	854.25	837.40	829.40	820.80	813.95
2.8125	2 13/16	1 1/2	10	14	3 1/8	1 1/8	4	343190	832.40	2.7531 - 2.8160	933.00	882.55	865.75	857.70	849.05	842.30
2.8750	2 7/8	1 1/2	10	14	3 1/8	1 1/8	4	343192	865.75	2.8161 - 2.8780	966.25	915.90	899.00	891.05	882.40	875.65
2.9375	2 15/16	1 1/2	10	14	3 1/8	1 1/8	4	343194	899.15	2.8781 - 2.9410	999.75	949.30	932.40	924.45	915.85	909.00
3.0000	3	1 1/2	10	14	3 1/8	1 1/8	4	343196	932.55	2.9411 - 3.0030	1033.10	982.80	965.85	957.90	949.25	942.50

Phone 941-739-2726 • Fax 941-739-2827 • www.lexingtoncutter.com • LEXINGTON CUTTER, INC.

*Quantities of 15 or more: price of fractional size in same size range.

Made in U.S.A.

CARBIDE TIPPED VARIABLE LENGTH REAMERS

TYPE 3457EL - STRAIGHT SHANK - STRAIGHT FLUTE LONG CARBIDE - FOR NON-FERROUS

TYPE 3458EL - STRAIGHT SHANK - STRAIGHT FLUTE LONG CARBIDE - FOR CAST IRON

TYPE 3459EL - STRAIGHT SHANK - STRAIGHT FLUTE LONG CARBIDE - FOR STEEL

Same as types 3457, 3458, and 3459 on page 94 except with variable overall lengths.
When ordering, specify desired length within overall length range.

Eliminates need to special order reamers, saving time and money. These reamers have a controlled shank.



For reamer tolerances and closer tolerance pricing, see page 60.

DECIMAL SIZE RANGE	SHANK DIAMETER	NO. OF FLUTES	FLUTE LENGTH	NON-FERR. TYPE 3457EL EDP NO.	CAST IRON TYPE 3458EL EDP NO.	STEEL TYPE 3459EL EDP NO.	OVERALL LENGTH RANGE	PRICE EACH - FINISHED TO DECIMAL SIZE					
								1 PC.	2 PC.	3 PC.	4 PC.	5-7	8-14
.1121 - .1280 *	.1099	4	1 1/2	345704EL	345804EL	345904EL	2 9/32 - 6	\$325.65	\$285.15	\$271.55	\$265.20	\$258.30	\$252.80
.1281 - .1435 *	.1255	4	1 1/2	3457045EL	3458045EL	3459045EL	2 17/32 - 6 1/2	326.80	286.35	272.75	266.30	259.35	254.00
.1436 - .1590 *	.1411	4	1 1/2	345705EL	345805EL	345905EL	2 17/32 - 7	332.10	291.70	278.10	271.65	264.75	259.25
.1591 - .1750 *	.1567	4	1 1/2	3457055EL	3458055EL	3459055EL	2 25/32 - 8	338.45	297.90	284.50	277.95	271.05	265.55
.1751 - .1910 *	.1724	4	1 1/2	345706EL	345806EL	345906EL	4 17/32 - 9	347.40	306.95	293.40	287.00	280.05	274.55
.1911 - .2210 *	.1880	4	1 1/2	345707EL	345807EL	345907EL	5 1/32 - 10	359.15	318.75	305.20	298.75	291.75	286.35
.2211 - .2530 *	.2193	4	1 1/2	345708EL	345808EL	345908EL	6 1/32 - 12	382.35	341.85	328.40	321.95	315.00	309.55
.2531 - .2840 *	.2505	4	1 1/2	345709EL	345809EL	345909EL	6 1/32 - 12	402.25	361.80	348.30	341.75	334.85	329.35
.2841 - .3150	.2792	4	1 1/2	345710EL	345810EL	345910EL	6 1/32 - 12	285.45	245.00	231.50	224.95	218.05	212.65
.3151 - .3470	.2792	4	1 1/2	345711EL	345811EL	345911EL	6 1/32 - 12	285.45	245.00	231.50	224.95	218.05	212.65
.3471 - .3780	.3105	4	1 3/4	345712EL	345812EL	345912EL	7 1/32 - 14	294.80	254.35	240.85	234.30	227.40	221.95
.3781 - .4090	.3105	4	1 3/4	345713EL	345813EL	345913EL	7 1/32 - 14	294.80	254.35	240.85	234.30	227.40	221.95
.4091 - .4410	.3730	6	1 3/4	345714EL	345814EL	345914EL	7 1/32 - 14	304.15	263.70	250.20	243.65	236.75	231.30
.4411 - .4720	.3730	6	1 3/4	345715EL	345815EL	345915EL	7 1/32 - 14	304.15	263.70	250.20	243.65	236.75	231.30
.4721 - .5030	.4355	6	2	345716EL	345816EL	345916EL	8 1/32 - 16	310.45	269.95	256.45	250.00	243.10	237.60
.5031 - .5340	.4355	6	2	345717EL	345817EL	345917EL	8 1/32 - 16	310.45	269.95	256.45	250.00	243.10	237.60
.5341 - .5660	.4355	6	2	345718EL	345818EL	345918EL	8 1/32 - 16	316.25	275.75	262.20	255.75	248.85	243.40
.5661 - .5970	.4355	6	2	345719EL	345819EL	345919EL	8 1/32 - 16	316.25	275.75	262.20	255.75	248.85	243.40
.5971 - .6280	.5615	6	2 1/4	345720EL	345820EL	345920EL	9 1/32 - 18	322.90	282.40	268.90	262.45	255.55	250.05
.6281 - .6590	.5615	6	2 1/4	345721EL	345821EL	345921EL	9 1/32 - 18	322.90	282.40	268.90	262.45	255.55	250.05
.6591 - .6910	.5615	6	2 1/4	345722EL	345822EL	345922EL	9 1/32 - 18	323.80	283.35	269.80	263.35	256.45	250.95
.6911 - .7220	.5615	6	2 1/4	345723EL	345823EL	345923EL	9 1/32 - 18	323.80	283.35	269.80	263.35	256.45	250.95
.7221 - .7530	.6245	6	2 1/2	345724EL	345824EL	345924EL	9 17/32 - 18	347.65	307.10	293.55	287.15	280.25	274.75
.7531 - .7840	.6245	6	2 1/2	345725EL	345825EL	345925EL	9 17/32 - 18	421.85	383.25	370.35	364.25	357.65	352.45
.7841 - .8160	.6245	6	2 1/2	345726EL	345826EL	345926EL	9 17/32 - 18	435.25	396.65	383.75	377.70	371.05	365.90
.8161 - .8470	.6245	6	2 1/2	345727EL	345827EL	345927EL	9 17/32 - 18	440.30	401.70	388.80	382.70	376.10	370.95
.8471 - .8780	.7495	6	2 5/8	345728EL	345828EL	345928EL	10 1/32 - 18	449.60	411.00	398.10	392.00	385.40	380.20
.8781 - .9090	.7495	6	2 5/8	345729EL	345829EL	345929EL	10 1/32 - 18	468.50	429.90	417.00	410.90	404.30	399.10
.9091 - .9410	.7495	8	2 5/8	345730EL	345830EL	345930EL	10 1/32 - 18	473.15	434.60	421.70	415.60	409.00	403.80
.9411 - .9720	.7495	8	2 5/8	345731EL	345831EL	345931EL	10 1/32 - 18	477.70	439.10	426.20	420.10	413.50	408.30
.9721 - 1.0030	.8745	8	2 3/4	345732EL	345832EL	345932EL	10 17/32 - 18	488.85	450.25	437.35	431.25	424.65	419.45

LEXINGTON CUTTER, INC. • sales@lexingtoncutter.com • Phone 800-882-2627 • Fax 800-882-3637

CARBIDE TIPPED VARIABLE LENGTH COOLANT REAMERS

TYPE 3416EL - STRAIGHT SHANK - STRAIGHT FLUTE LONG CARBIDE - THROUGH HOLES - FOR NON-FERROUS

TYPE 3426EL - STRAIGHT SHANK - STRAIGHT FLUTE LONG CARBIDE - THROUGH HOLES - FOR CAST IRON

TYPE 3435EL - STRAIGHT SHANK - STRAIGHT FLUTE LONG CARBIDE - THROUGH HOLES - FOR STEEL

Same as types 3416, 3426, and 3435 on page 108 except with variable overall lengths.
 When ordering, specify desired length within overall length range.
 Eliminates need to special order reamers, saving time and money.
 These reamers have a controlled shank and coolant through the flutes.



For reamer tolerances and closer tolerance pricing, see page 60.

DECIMAL SIZE RANGE	SHANK DIAMETER	NO. OF FLUTES	FLUTE LENGTH	NON-FERR. TYPE 3416EL EDP NO.	CAST IRON TYPE 3426EL EDP NO.	STEEL TYPE 3435EL EDP NO.	OVERALL LENGTH RANGE	PRICE EACH - FINISHED TO DECIMAL SIZE					
								1 PC.	2 PC.	3 PC.	4 PC.	5-7	8-14
.1751 - .1910 *	.1724	4	1 1/2	341606EL	342606EL	343506EL	4 17/32 - 9	\$415.65	\$375.25	\$361.65	\$355.20	\$348.30	\$342.80
.1911 - .2210 *	.1880	4	1 1/2	341607EL	342607EL	343507EL	5 1/2 - 10	431.70	391.20	377.60	371.20	364.30	358.85
.2211 - .2530 *	.2193	4	1 1/2	341608EL	342608EL	343508EL	6 1/2 - 12	479.55	439.10	425.55	419.15	412.10	406.70
.2531 - .2840 *	.2505	4	1 1/2	341609EL	342609EL	343509EL	6 1/2 - 12	502.80	462.35	448.75	442.30	435.35	429.90
.2841 - .3150	.2792	4	1 1/2	341610EL	342610EL	343510EL	6 1/2 - 12	371.80	331.40	317.80	311.35	304.35	298.95
.3151 - .3470	.2792	4	1 1/2	341611EL	342611EL	343511EL	6 1/2 - 12	371.80	331.40	317.80	311.35	304.35	298.95
.3471 - .3780	.3105	4	1 3/4	341612EL	342612EL	343512EL	7 1/2 - 14	379.10	338.65	325.15	318.75	311.80	306.35
.3781 - .4090	.3105	4	1 3/4	341613EL	342613EL	343513EL	7 1/2 - 14	379.10	338.65	325.15	318.75	311.80	306.35
.4091 - .4410	.3730	6	1 3/4	341614EL	342614EL	343514EL	7 1/2 - 14	380.70	340.20	326.70	320.30	313.35	307.95
.4411 - .4720	.3730	6	1 3/4	341615EL	342615EL	343515EL	7 1/2 - 14	380.70	340.20	326.70	320.30	313.35	307.95
.4721 - .5030	.4355	6	2	341616EL	342616EL	343516EL	8 1/2 - 16	414.20	373.65	360.15	353.70	346.80	341.30
.5031 - .5340	.4355	6	2	341617EL	342617EL	343517EL	8 1/2 - 16	414.20	373.65	360.15	353.70	346.80	341.30
.5341 - .5660	.4355	6	2	341618EL	342618EL	343518EL	8 1/2 - 16	417.10	376.65	363.05	356.60	349.65	344.20
.5661 - .5970	.4355	6	2	341619EL	342619EL	343519EL	8 1/2 - 16	417.10	376.65	363.05	356.60	349.65	344.20
.5971 - .6280	.5615	6	2 1/4	341620EL	342620EL	343520EL	9 1/2 - 18	425.30	384.90	371.30	364.85	357.95	352.45
.6281 - .6590	.5615	6	2 1/4	341621EL	342621EL	343521EL	9 1/2 - 18	425.30	384.90	371.30	364.85	357.95	352.45
.6591 - .6910	.5615	6	2 1/4	341622EL	342622EL	343522EL	9 1/2 - 18	429.90	389.50	375.90	369.45	362.55	357.05
.6911 - .7220	.5615	6	2 1/4	341623EL	342623EL	343523EL	9 1/2 - 18	429.90	389.50	375.90	369.45	362.55	357.05
.7221 - .7530	.6245	6	2 1/2	341624EL	342624EL	343524EL	9 17/32 - 18	447.55	407.15	393.65	387.10	380.20	374.70
.7531 - .7840	.6245	6	2 1/2	341625EL	342625EL	343525EL	9 17/32 - 18	510.10	471.60	458.70	452.55	445.95	440.75
.7841 - .8160	.6245	6	2 1/2	341626EL	342626EL	343526EL	9 17/32 - 18	528.45	489.95	477.05	470.85	464.25	459.10
.8161 - .8470	.6245	6	2 1/2	341627EL	342627EL	343527EL	9 17/32 - 18	533.35	494.85	481.95	475.75	469.15	463.95
.8471 - .8780	.7495	6	2 5/8	341628EL	342628EL	343528EL	10 1/2 - 18	536.70	498.20	485.25	479.10	472.50	467.30
.8781 - .9090	.7495	6	2 5/8	341629EL	342629EL	343529EL	10 1/2 - 18	557.55	519.05	506.10	499.95	493.35	488.15
.9091 - .9410	.7495	8	2 5/8	341630EL	342630EL	343530EL	10 1/2 - 18	567.10	528.60	515.70	509.55	502.95	497.75
.9411 - .9720	.7495	8	2 5/8	341631EL	342631EL	343531EL	10 1/2 - 18	570.25	531.70	518.80	512.65	506.05	500.85
.9721 - 1.0030	.8745	8	2 3/4	341632EL	342632EL	343532EL	10 17/32 - 18	586.65	548.10	535.20	529.05	522.45	517.25

Phone 941-739-2726 • Fax 941-739-2827 • www.lexingtoncutter.com • LEXINGTON CUTTER, INC.

CARBIDE TIPPED VARIABLE LENGTH REAMERS

TYPE 3442EL - STRAIGHT SHANK - RIGHT SPIRAL FLUTE LONG CARBIDE - FOR NON-FERROUS

TYPE 3443EL - STRAIGHT SHANK - RIGHT SPIRAL FLUTE LONG CARBIDE - FOR CAST IRON

TYPE 3444EL - STRAIGHT SHANK - RIGHT SPIRAL FLUTE LONG CARBIDE - FOR STEEL

Same as types 3442, 3443, and 3444 on page 98 except with variable overall lengths.
When ordering, specify desired length within overall length range.
Eliminates need to special order reamers, saving time and money.
These reamers have a controlled shank.



For reamer tolerances and closer tolerance pricing, see page 60.

DECIMAL SIZE RANGE	SHANK DIAMETER	NO. OF FLUTES	FLUTE LENGTH	NON-FERR. TYPE 3442EL EDP NO.	CAST IRON TYPE 3443EL EDP NO.	STEEL TYPE 3444EL EDP NO.	OVERALL LENGTH RANGE	PRICE EACH - FINISHED TO DECIMAL SIZE					
								1 PC.	2 PC.	3 PC.	4 PC.	5-7	8-14
.2211 - .2530 *	.2193	4	1 1/2	344208EL	344308EL	344408EL	6 1/32 - 12	\$458.80	\$410.25	\$394.00	\$386.35	\$378.05	\$371.45
.2531 - .2840 *	.2505	4	1 1/2	344209EL	344309EL	344409EL	6 1/32 - 12	482.75	434.15	417.90	410.20	401.85	395.35
.2841 - .3150	.2792	4	1 1/2	344210EL	344310EL	344410EL	6 1/32 - 12	342.60	294.05	277.80	270.00	261.70	255.15
.3151 - .3470	.2792	4	1 1/2	344211EL	344311EL	344411EL	6 1/32 - 12	342.60	294.05	277.80	270.00	261.70	255.15
.3471 - .3780	.3105	4	1 3/4	344212EL	344312EL	344412EL	7 1/32 - 14	353.80	305.25	288.95	281.20	272.90	266.45
.3781 - .4090	.3105	4	1 3/4	344213EL	344313EL	344413EL	7 1/32 - 14	353.80	305.25	288.95	281.20	272.90	266.45
.4091 - .4410	.3730	6	1 3/4	344214EL	344314EL	344414EL	7 1/32 - 14	365.00	316.45	300.20	292.40	284.05	277.60
.4411 - .4720	.3730	6	1 3/4	344215EL	344315EL	344415EL	7 1/32 - 14	365.00	316.45	300.20	292.40	284.05	277.60
.4721 - .5030	.4355	6	2	344216EL	344316EL	344416EL	8 1/32 - 16	372.55	323.95	307.80	299.90	291.70	285.10
.5031 - .5340	.4355	6	2	344217EL	344317EL	344417EL	8 1/32 - 16	372.55	323.95	307.80	299.90	291.70	285.10
.5341 - .5660	.4355	6	2	344218EL	344318EL	344418EL	8 1/32 - 16	379.55	330.85	314.70	306.90	298.65	292.00
.5661 - .5970	.4355	6	2	344219EL	344319EL	344419EL	8 1/32 - 16	379.55	330.85	314.70	306.90	298.65	292.00
.5971 - .6280	.5615	6	2 1/4	344220EL	344320EL	344420EL	9 1/32 - 18	387.55	338.95	322.60	315.00	306.65	300.15
.6281 - .6590	.5615	6	2 1/4	344221EL	344321EL	344421EL	9 1/32 - 18	387.55	338.95	322.60	315.00	306.65	300.15
.6591 - .6910	.5615	6	2 1/4	344222EL	344322EL	344422EL	9 1/32 - 18	388.50	340.00	323.75	316.10	307.80	301.20
.6911 - .7220	.5615	6	2 1/4	344223EL	344323EL	344423EL	9 1/32 - 18	388.50	340.00	323.75	316.10	307.80	301.20
.7221 - .7530	.6245	6	2 1/2	344224EL	344324EL	344424EL	9 17/32 - 18	417.15	368.65	352.30	344.50	336.25	329.75
.7531 - .7840	.6245	6	2 1/2	344225EL	344325EL	344425EL	9 17/32 - 18	480.80	434.60	419.10	411.80	403.85	397.65
.7841 - .8160	.6245	6	2 1/2	344226EL	344326EL	344426EL	9 17/32 - 18	494.70	448.45	432.95	425.70	417.75	411.50
.8161 - .8470	.6245	6	2 1/2	344227EL	344327EL	344427EL	9 17/32 - 18	499.65	453.45	437.95	430.65	422.70	416.50
.8471 - .8780	.7495	6	2 5/8	344228EL	344328EL	344428EL	10 1/32 - 18	501.60	455.35	439.85	432.60	424.65	418.40
.8781 - .9090	.7495	6	2 5/8	344229EL	344329EL	344429EL	10 1/32 - 18	518.35	472.15	456.65	449.35	441.40	435.20
.9091 - .9410	.7495	8	2 5/8	344230EL	344330EL	344430EL	10 1/32 - 18	535.80	489.55	474.05	466.80	458.85	452.60
.9411 - .9720	.7495	8	2 5/8	344231EL	344331EL	344431EL	10 1/32 - 18	539.00	492.75	477.25	470.00	462.05	455.80
.9721 - 1.0030	.8745	8	2 3/4	344232EL	344332EL	344432EL	10 17/32 - 18	558.65	512.45	496.90	489.65	481.70	475.45

LEXINGTON CUTTER, INC. • sales@lexingtoncutter.com • Phone 800-882-2627 • Fax 800-882-3637

CARBIDE TIPPED VARIABLE LENGTH COOLANT REAMERS

TYPE 3411EL - STRAIGHT SHANK - RIGHT SPIRAL FLUTE LONG CARBIDE - BLIND HOLES - FOR NON-FERROUS
TYPE 3413EL - STRAIGHT SHANK - RIGHT SPIRAL FLUTE LONG CARBIDE - BLIND HOLES - FOR CAST IRON
TYPE 3415EL - STRAIGHT SHANK - RIGHT SPIRAL FLUTE LONG CARBIDE - BLIND HOLES - FOR STEEL

Same as types 3411, 3413, and 3415 on page 113 except with variable overall lengths.
 When ordering, specify desired length within overall length range.
 Eliminates need to special order reamers, saving time and money. These reamers have a controlled shank and coolant through the end of the tool.



For reamer tolerances and closer tolerance pricing, see page 60.

DECIMAL SIZE RANGE	SHANK DIAMETER	NO. OF FLUTES	FLUTE LENGTH	NON-FERR. TYPE 3411EL EDP NO.	CAST IRON TYPE 3413EL EDP NO.	STEEL TYPE 3415EL EDP NO.	OVERALL LENGTH RANGE	PRICE EACH - FINISHED TO DECIMAL SIZE					
								1 PC.	2 PC.	3 PC.	4 PC.	5-7	8-14
.2211 - .2530 *	.2193	4	1 1/2	341108EL	341308EL	341508EL	6 1/32 - 12	\$575.40	\$526.90	\$510.70	\$502.95	\$494.55	\$488.10
.2531 - .2840 *	.2505	4	1 1/2	341109EL	341309EL	341509EL	6 1/32 - 12	603.30	554.80	538.55	530.85	522.45	515.90
.2841 - .3150	.2792	4	1 1/2	341110EL	341310EL	341510EL	6 1/32 - 12	446.10	397.55	381.40	373.60	365.20	358.75
.3151 - .3470	.2792	4	1 1/2	341111EL	341311EL	341511EL	6 1/32 - 12	446.10	397.55	381.40	373.60	365.20	358.75
.3471 - .3780	.3105	4	1 3/4	341112EL	341312EL	341512EL	7 1/32 - 14	455.00	406.40	390.05	382.45	374.10	367.60
.3781 - .4090	.3105	4	1 3/4	341113EL	341313EL	341513EL	7 1/32 - 14	455.00	406.40	390.05	382.45	374.10	367.60
.4091 - .4410	.3730	6	1 3/4	341114EL	341314EL	341514EL	7 1/32 - 14	456.85	408.30	392.05	384.35	375.95	369.45
.4411 - .4720	.3730	6	1 3/4	341115EL	341315EL	341515EL	7 1/32 - 14	456.85	408.30	392.05	384.35	375.95	369.45
.4721 - .5030	.4355	6	2	341116EL	341316EL	341516EL	8 1/32 - 16	497.00	448.45	432.15	424.40	416.10	409.65
.5031 - .5340	.4355	6	2	341117EL	341317EL	341517EL	8 1/32 - 16	497.00	448.45	432.15	424.40	416.10	409.65
.5341 - .5660	.4355	6	2	341118EL	341318EL	341518EL	8 1/32 - 16	500.50	451.90	435.70	428.00	419.60	413.05
.5661 - .5970	.4355	6	2	341119EL	341319EL	341519EL	8 1/32 - 16	500.50	451.90	435.70	428.00	419.60	413.05
.5971 - .6280	.5615	6	2 1/4	341120EL	341320EL	341520EL	9 1/32 - 18	510.40	461.80	445.55	437.85	429.55	422.95
.6281 - .6590	.5615	6	2 1/4	341121EL	341321EL	341521EL	9 1/32 - 18	510.40	461.80	445.55	437.85	429.55	422.95
.6591 - .6910	.5615	6	2 1/4	341122EL	341322EL	341522EL	9 1/32 - 18	515.90	467.40	451.15	443.40	435.05	428.50
.6911 - .7220	.5615	6	2 1/4	341123EL	341323EL	341523EL	9 1/32 - 18	515.90	467.40	451.15	443.40	435.05	428.50
.7221 - .7530	.6245	6	2 1/2	341124EL	341324EL	341524EL	9 17/32 - 18	537.15	488.60	472.30	464.65	456.25	449.80
.7531 - .7840	.6245	6	2 1/2	341125EL	341325EL	341525EL	9 17/32 - 18	542.25	496.05	480.60	473.15	465.25	459.10
.7841 - .8160	.6245	6	2 1/2	341126EL	341326EL	341526EL	9 17/32 - 18	560.00	513.75	498.35	490.90	482.95	476.80
.8161 - .8470	.6245	6	2 1/2	341127EL	341327EL	341527EL	9 17/32 - 18	565.05	518.80	503.35	495.95	488.00	481.85
.8471 - .8780	.7495	6	2 5/8	341128EL	341328EL	341528EL	10 1/32 - 18	566.90	520.65	505.25	497.80	489.85	483.70
.8781 - .9090	.7495	6	2 5/8	341129EL	341329EL	341529EL	10 1/32 - 18	587.15	540.90	525.50	518.05	510.10	503.95
.9091 - .9410	.7495	8	2 5/8	341130EL	341330EL	341530EL	10 1/32 - 18	605.10	558.85	543.45	536.00	528.10	521.90
.9411 - .9720	.7495	8	2 5/8	341131EL	341331EL	341531EL	10 1/32 - 18	608.30	562.05	546.65	539.20	531.25	525.10
.9721 - 1.0030	.8745	8	2 3/4	341132EL	341332EL	341532EL	10 17/32 - 18	632.25	586.05	570.60	563.20	555.25	549.10

Phone 941-739-2726 • Fax 941-739-2827 • www.lexingtoncutter.com • LEXINGTON CUTTER, INC.

CARBIDE TIPPED VARIABLE LENGTH REAMERS

TYPE 3482EL - STRAIGHT SHANK - LEFT SPIRAL FLUTE LONG CARBIDE - FOR NON-FERROUS

TYPE 3483EL - STRAIGHT SHANK - LEFT SPIRAL FLUTE LONG CARBIDE - FOR CAST IRON

TYPE 3484EL - STRAIGHT SHANK - LEFT SPIRAL FLUTE LONG CARBIDE - FOR STEEL

Same as types 3482, 3483, and 3484 on page 99 except with variable overall lengths.
When ordering, specify desired length within overall length range.
Eliminates need to special order reamers, saving time and money.
These reamers have a controlled shank.



For reamer tolerances and closer tolerance pricing, see page 60.

DECIMAL SIZE RANGE	SHANK DIAMETER	NO. OF FLUTES	FLUTE LENGTH	NON-FERR. TYPE 3482EL EDP NO.	CAST IRON TYPE 3483EL EDP NO.	STEEL TYPE 3484EL EDP NO.	OVERALL LENGTH RANGE	PRICE EACH - FINISHED TO DECIMAL SIZE					
								1 PC.	2 PC.	3 PC.	4 PC.	5-7	8-14
.2211 - .2530 *	.2193	4	1 1/2	348208EL	348308EL	348408EL	6 1/32 - 12	\$458.80	\$410.25	\$394.00	\$386.35	\$378.05	\$371.45
.2531 - .2840 *	.2505	4	1 1/2	348209EL	348309EL	348409EL	6 1/32 - 12	482.75	434.15	417.90	410.20	401.85	395.35
.2841 - .3150	.2792	4	1 1/2	348210EL	348310EL	348410EL	6 1/32 - 12	342.60	294.05	277.80	270.00	261.70	255.15
.3151 - .3470	.2792	4	1 1/2	348211EL	348311EL	348411EL	6 1/32 - 12	342.60	294.05	277.80	270.00	261.70	255.15
.3471 - .3780	.3105	4	1 3/4	348212EL	348312EL	348412EL	7 1/32 - 14	353.80	305.25	288.95	281.20	272.90	266.45
.3781 - .4090	.3105	4	1 3/4	348213EL	348313EL	348413EL	7 1/32 - 14	353.80	305.25	288.95	281.20	272.90	266.45
.4091 - .4410	.3730	6	1 3/4	348214EL	348314EL	348414EL	7 1/32 - 14	365.00	316.45	300.20	292.40	284.05	277.60
.4411 - .4720	.3730	6	1 3/4	348215EL	348315EL	348415EL	7 1/32 - 14	365.00	316.45	300.20	292.40	284.05	277.60
.4721 - .5030	.4355	6	2	348216EL	348316EL	348416EL	8 1/32 - 16	372.55	323.95	307.80	299.90	291.70	285.10
.5031 - .5340	.4355	6	2	348217EL	348317EL	348417EL	8 1/32 - 16	372.55	323.95	307.80	299.90	291.70	285.10
.5341 - .5660	.4355	6	2	348218EL	348318EL	348418EL	8 1/32 - 16	379.55	330.85	314.70	306.90	298.65	292.00
.5661 - .5970	.4355	6	2	348219EL	348319EL	348419EL	8 1/32 - 16	379.55	330.85	314.70	306.90	298.65	292.00
.5971 - .6280	.5615	6	2 1/4	348220EL	348320EL	348420EL	9 1/32 - 18	387.55	338.95	322.60	315.00	306.65	300.15
.6281 - .6590	.5615	6	2 1/4	348221EL	348321EL	348421EL	9 1/32 - 18	387.55	338.95	322.60	315.00	306.65	300.15
.6591 - .6910	.5615	6	2 1/4	348222EL	348322EL	348422EL	9 1/32 - 18	388.50	340.00	323.75	316.10	307.80	301.20
.6911 - .7220	.5615	6	2 1/4	348223EL	348323EL	348423EL	9 1/32 - 18	388.50	340.00	323.75	316.10	307.80	301.20
.7221 - .7530	.6245	6	2 1/2	348224EL	348324EL	348424EL	9 17/32 - 18	417.15	368.65	352.30	344.50	336.25	329.75
.7531 - .7840	.6245	6	2 1/2	348225EL	348325EL	348425EL	9 17/32 - 18	480.80	434.60	419.10	411.80	403.85	397.65
.7841 - .8160	.6245	6	2 1/2	348226EL	348326EL	348426EL	9 17/32 - 18	494.70	448.45	432.95	425.70	417.75	411.50
.8161 - .8470	.6245	6	2 1/2	348227EL	348327EL	348427EL	9 17/32 - 18	499.65	453.45	437.95	430.65	422.70	416.50
.8471 - .8780	.7495	6	2 5/8	348228EL	348328EL	348428EL	10 1/32 - 18	501.60	455.35	439.85	432.60	424.65	418.40
.8781 - .9090	.7495	6	2 5/8	348229EL	348329EL	348429EL	10 1/32 - 18	518.35	472.15	456.65	449.35	441.40	435.20
.9091 - .9410	.7495	8	2 5/8	348230EL	348330EL	348430EL	10 1/32 - 18	535.80	489.55	474.05	466.80	458.85	452.60
.9411 - .9720	.7495	8	2 5/8	348231EL	348331EL	348431EL	10 1/32 - 18	539.00	492.75	477.25	470.00	462.05	455.80
.9721 - 1.0030	.8745	8	2 3/4	348232EL	348332EL	348432EL	10 17/32 - 18	558.65	512.45	496.90	489.65	481.70	475.45

LEXINGTON CUTTER, INC. • sales@lexingtoncutter.com • Phone 800-882-2627 • Fax 800-882-3637

CARBIDE TIPPED VARIABLE LENGTH COOLANT REAMERS

TYPE 3427EL - STRAIGHT SHANK - LEFT SPIRAL FLUTE LONG CARBIDE - THROUGH HOLES - FOR NON-FERROUS

TYPE 3428EL - STRAIGHT SHANK - LEFT SPIRAL FLUTE LONG CARBIDE - THROUGH HOLES - FOR CAST IRON

TYPE 3429EL - STRAIGHT SHANK - LEFT SPIRAL FLUTE LONG CARBIDE - THROUGH HOLES - FOR STEEL

Same as types 3427, 3428, and 3429 on page 114 except with variable overall lengths.
When ordering, specify desired length within overall length range.
Eliminates need to special order reamers, saving time and money.
These reamers have a controlled shank and coolant through the flutes.



For reamer tolerances and closer tolerance pricing, see page 60.

DECIMAL SIZE RANGE	SHANK DIAMETER	NO. OF FLUTES	FLUTE LENGTH	NON-FERR. TYPE 3427EL EDP NO.	CAST IRON TYPE 3428EL EDP NO.	STEEL TYPE 3429EL EDP NO.	OVERALL LENGTH RANGE	PRICE EACH - FINISHED TO DECIMAL SIZE					
								1 PC.	2 PC.	3 PC.	4 PC.	5-7	8-14
.2211 - .2530 *	.2193	4	1 1/2	342708EL	342808EL	342908EL	6 1/32 - 12	\$575.40	\$526.90	\$510.70	\$502.95	\$494.55	\$488.10
.2531 - .2840 *	.2505	4	1 1/2	342709EL	342809EL	342909EL	6 1/32 - 12	603.30	554.80	538.55	530.85	522.45	515.90
.2841 - .3150	.2792	4	1 1/2	342710EL	342810EL	342910EL	6 1/32 - 12	446.10	397.55	381.40	373.60	365.20	358.75
.3151 - .3470	.2792	4	1 1/2	342711EL	342811EL	342911EL	6 1/32 - 12	446.10	397.55	381.40	373.60	365.20	358.75
.3471 - .3780	.3105	4	1 3/4	342712EL	342812EL	342912EL	7 1/32 - 14	455.00	406.40	390.05	382.45	374.10	367.60
.3781 - .4090	.3105	4	1 3/4	342713EL	342813EL	342913EL	7 1/32 - 14	455.00	406.40	390.05	382.45	374.10	367.60
.4091 - .4410	.3730	6	1 3/4	342714EL	342814EL	342914EL	7 1/32 - 14	456.85	408.30	392.05	384.35	375.95	369.45
.4411 - .4720	.3730	6	1 3/4	342715EL	342815EL	342915EL	7 1/32 - 14	456.85	408.30	392.05	384.35	375.95	369.45
.4721 - .5030	.4355	6	2	342716EL	342816EL	342916EL	8 1/32 - 16	497.00	448.45	432.15	424.40	416.10	409.65
.5031 - .5340	.4355	6	2	342717EL	342817EL	342917EL	8 1/32 - 16	497.00	448.45	432.15	424.40	416.10	409.65
.5341 - .5660	.4355	6	2	342718EL	342818EL	342918EL	8 1/32 - 16	500.50	451.90	435.70	428.00	419.60	413.05
.5661 - .5970	.4355	6	2	342719EL	342819EL	342919EL	8 1/32 - 16	500.50	451.90	435.70	428.00	419.60	413.05
.5971 - .6280	.5615	6	2 1/4	342720EL	342820EL	342920EL	9 1/32 - 18	510.40	461.80	445.55	437.85	429.55	422.95
.6281 - .6590	.5615	6	2 1/4	342721EL	342821EL	342921EL	9 1/32 - 18	510.40	461.80	445.55	437.85	429.55	422.95
.6591 - .6910	.5615	6	2 1/4	342722EL	342822EL	342922EL	9 1/32 - 18	515.90	467.40	451.15	443.40	435.05	428.50
.6911 - .7220	.5615	6	2 1/4	342723EL	342823EL	342923EL	9 1/32 - 18	515.90	467.40	451.15	443.40	435.05	428.50
.7221 - .7530	.6245	6	2 1/2	342724EL	342824EL	342924EL	9 17/32 - 18	537.15	488.60	472.30	464.65	456.25	449.80
.7531 - .7840	.6245	6	2 1/2	342725EL	342825EL	342925EL	9 17/32 - 18	567.10	520.90	505.45	498.05	490.10	483.95
.7841 - .8160	.6245	6	2 1/2	342726EL	342826EL	342926EL	9 17/32 - 18	586.20	539.95	524.50	517.10	509.15	503.00
.8161 - .8470	.6245	6	2 1/2	342727EL	342827EL	342927EL	9 17/32 - 18	591.15	544.90	529.50	522.05	514.15	507.95
.8471 - .8780	.7495	6	2 5/8	342728EL	342828EL	342928EL	10 1/32 - 18	592.95	546.70	531.25	523.85	515.90	509.75
.8781 - .9090	.7495	6	2 5/8	342729EL	342829EL	342929EL	10 1/32 - 18	614.90	568.65	553.25	545.80	537.90	531.70
.9091 - .9410	.7495	8	2 5/8	342730EL	342830EL	342930EL	10 1/32 - 18	632.95	586.70	571.25	563.85	555.90	549.75
.9411 - .9720	.7495	8	2 5/8	342731EL	342831EL	342931EL	10 1/32 - 18	636.05	589.80	574.40	566.95	559.00	552.85
.9721 - 1.0030	.8745	8	2 3/4	342732EL	342832EL	342932EL	10 17/32 - 18	661.50	615.25	599.85	592.40	584.45	578.30

Phone 941-739-2726 • Fax 941-739-2827 • www.lexingtoncutter.com • LEXINGTON CUTTER, INC.

*Solid Carbide

Made in U.S.A.

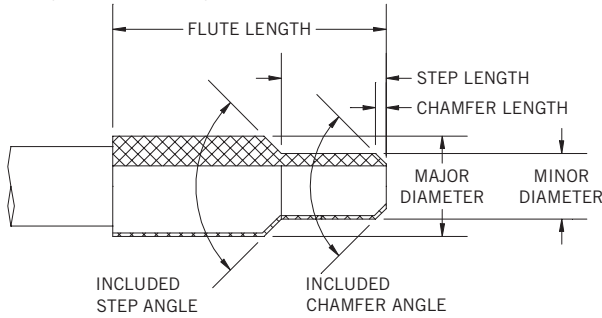
CARBIDE TIPPED STRAIGHT STEP REAMERS

TYPE 3457ST - STRAIGHT SHANK - STRAIGHT FLUTE LONG CARBIDE - FOR NON-FERROUS

TYPE 3458ST - STRAIGHT SHANK - STRAIGHT FLUTE LONG CARBIDE - FOR CAST IRON

TYPE 3459ST - STRAIGHT SHANK - STRAIGHT FLUTE LONG CARBIDE - FOR STEEL

Flute long carbide tips brazed to one piece alloy steel bodies. Straight polished flutes. Available with cutting or non-cutting pilots.



FILL IN BLANKS BELOW FOR ORDERING:

MAJOR DIAM. _____ (+.0003"/-.0000")

MINOR DIAM. CUTTING _____ (+.0003"/-.0000")

MINOR DIAM. NON-CUTTING _____ (+.000"/-.001")

STEP LENGTH _____ (+.005"/-.005")

INCL. STEP ANGLE _____

INCL. CHAMFER ANGLE _____

CHAMFER LENGTH _____

NOTES:

1. Order must indicate if pilot is cutting or non-cutting and identify material being machined.
2. The difference between major and minor diameter shall not exceed 6%, and must fall within dimensions shown for that particular tool.
3. Non-cutting pilot diameters may be smaller than cutting diameter range, but not less than non-cutting pilot minimum diameter dimension shown.
4. It is recommended that stock removal of 3% be the basis for selecting each cutting diameter.

Shank diameter tolerance thru 2 1/2" tool diameter: +.0000"/-.0010"
over 2 1/2" tool diameter: +.0000"/-.0015".

Shanks are ground to the next smallest shank diameter listed in NAS 897 if tool diameter is within .005" of shank diameter.
For closer tolerance pricing per tool diameter, see page 60.

MAJOR AND MINOR CUTTING DIAMETER RANGE	NON-CUT PILOT MIN. DIAM.	MAX SHANK DIAM.	NO. OF FLTS.	LENGTH		NON-FERR. TYPE 3457ST EDP NO.	CAST IRON TYPE 3458ST EDP NO.	STEEL TYPE 3459ST EDP NO.	PRICE EACH - FINISHED TO DECIMAL SIZE						
				FLT	OAL				1 PC.	2 PC.	3 PC.	4 PC.	5-7	8-14	15+
.1770 - .2040	.1660	.1805	4	1 1/8	4 1/2	345706ST	345806ST	345906ST	\$181.85	\$136.55	\$121.30	\$114.10	\$106.35	\$100.25	\$91.40
.2041 - .2210	.1920	.2075	4	1 1/4	5	345707ST	345807ST	345907ST	181.85	136.55	121.30	114.10	106.35	100.25	91.40
.2211 - .2380	.2080	.2265	4	1 1/2	6	34572344ST	34582344ST	34592344ST	181.85	136.55	121.30	114.10	106.35	100.25	91.40
.2381 - .2530	.2240	.2405	4	1 1/2	6	345708ST	345808ST	345908ST	181.85	136.55	121.30	114.10	106.35	100.25	91.40
.2531 - .2840	.2380	.2485	4	1 1/2	6	345709ST	345809ST	345909ST	183.95	138.60	123.40	116.20	108.50	102.30	93.40
.2841 - .3150	.2670	.2792	4	1 1/2	6	345710ST	345810ST	345910ST	183.95	138.60	123.40	116.20	108.50	102.30	93.40
.3151 - .3470	.2960	.2792	4	1 1/2	6	345711ST	345811ST	345911ST	187.20	141.85	126.65	119.55	111.75	105.65	96.75
.3471 - .3780	.3260	.3105	4	1 3/4	7	345712ST	345812ST	345912ST	187.20	141.85	126.65	119.55	111.75	105.65	96.75
.3781 - .4090	.3550	.3105	4	1 3/4	7	345713ST	345813ST	345913ST	191.95	146.70	131.55	124.30	116.55	110.40	101.60
.4091 - .4410	.3850	.3730	6	1 3/4	7	345714ST	345814ST	345914ST	200.40	155.10	139.85	132.60	124.90	118.70	109.95
.4411 - .4720	.4150	.3730	6	1 3/4	7	345715ST	345815ST	345915ST	209.10	163.85	148.60	141.45	133.65	127.55	118.65
.4721 - .5030	.4440	.4355	6	2	8	345716ST	345816ST	345916ST	224.10	175.50	159.25	151.50	143.20	136.70	127.20
.5031 - .5340	.4730	.4355	6	2	8	345717ST	345817ST	345917ST	227.70	179.20	162.95	155.25	146.85	140.30	130.80
.5341 - .5660	.5020	.4355	6	2	8	345718ST	345818ST	345918ST	227.70	179.20	162.95	155.25	146.85	140.30	130.80
.5661 - .5970	.5320	.4355	6	2	8	345719ST	345819ST	345919ST	232.75	184.25	168.00	160.20	151.95	145.35	135.85
.5971 - .6280	.5610	.5615	6	2 1/4	9	345720ST	345820ST	345920ST	232.75	184.25	168.00	160.20	151.95	145.35	135.85
.6281 - .6590	.5900	.5615	6	2 1/4	9	345721ST	345821ST	345921ST	235.30	186.75	170.45	162.65	154.40	147.80	138.40
.6591 - .6910	.6200	.5615	6	2 1/4	9	345722ST	345822ST	345922ST	235.30	186.75	170.45	162.65	154.40	147.80	138.40
.6911 - .7220	.6500	.5615	6	2 1/4	9	345723ST	345823ST	345923ST	241.45	192.90	176.65	168.95	160.65	154.10	144.60
.7221 - .7530	.6790	.6245	6	2 1/2	9 1/2	345724ST	345824ST	345924ST	241.45	192.90	176.65	168.95	160.65	154.10	144.60
.7531 - .7840	.7080	.6245	6	2 1/2	9 1/2	345725ST	345825ST	345925ST	246.40	197.90	181.70	173.90	165.55	159.10	149.60
.7841 - .8160	.7370	.6245	6	2 1/2	9 1/2	345726ST	345826ST	345926ST	246.40	197.90	181.70	173.90	165.55	159.10	149.60
.8161 - .8470	.7670	.6245	6	2 1/2	9 1/2	345727ST	345827ST	345927ST	252.35	203.85	187.60	179.85	171.55	165.00	155.50
.8471 - .8780	.7970	.7495	6	2 3/8	10	345728ST	345828ST	345928ST	261.95	211.55	194.70	186.70	178.00	171.25	161.40
.8781 - .9090	.8260	.7495	6	2 3/8	10	345729ST	345829ST	345929ST	288.55	238.20	221.25	213.30	204.65	197.90	188.00
.9091 - .9410	.8550	.7495	8	2 3/8	10	345730ST	345830ST	345930ST	288.55	238.20	221.25	213.30	204.65	197.90	188.00
.9411 - .9720	.8850	.7495	8	2 3/8	10	345731ST	345831ST	345931ST	297.55	247.15	230.30	222.25	213.55	206.80	196.95
.9721 - 1.0030	.9140	.8745	8	2 3/4	10 1/2	345732ST	345832ST	345932ST	297.55	247.15	230.30	222.25	213.55	206.80	196.95
1.0031 - 1.0660	.9430	.8745	8	2 3/4	10 1/2	345734ST	345834ST	345934ST	300.05	251.75	235.50	227.85	219.55	213.10	203.70
1.0661 - 1.1280	1.0020	.8745	8	2 3/8	11	345736ST	345836ST	345936ST	316.90	268.60	252.50	244.85	236.55	230.00	220.60
1.1281 - 1.1905	1.0610	.9995	8	2 3/8	11	345738ST	345838ST	345938ST	327.05	278.70	262.50	254.90	246.55	240.05	230.60
1.1906 - 1.2530	1.1200	.9995	8	3	11 1/2	345740ST	345840ST	345940ST	345.70	297.45	281.20	273.60	265.35	258.80	249.40
1.2531 - 1.3155	1.1780	.9995	8	3	11 1/2	345742ST	345842ST	345942ST	352.60	304.30	288.20	280.50	272.25	265.65	256.20
1.3156 - 1.3780	1.2370	.9995	8	3 1/4	12	345744ST	345844ST	345944ST	369.65	321.35	305.25	297.55	289.25	282.70	273.30
1.3781 - 1.4405	1.2960	.9995	8	3 1/4	12	345746ST	345846ST	345946ST	392.20	343.85	327.65	319.95	311.70	305.25	295.75
1.4406 - 1.5030	1.3550	1.2495	8	3 1/2	12 1/2	345748ST	345848ST	345948ST	400.90	352.60	336.50	328.80	320.55	314.00	304.50

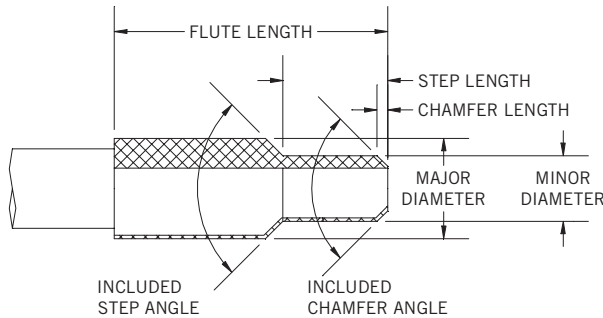
CARBIDE TIPPED RIGHT SPIRAL STEP REAMERS

TYPE 3442ST - STRAIGHT SHANK - RIGHT SPIRAL FLUTE LONG CARBIDE - FOR NON-FERROUS

TYPE 3443ST - STRAIGHT SHANK - RIGHT SPIRAL FLUTE LONG CARBIDE - FOR CAST IRON

TYPE 3444ST - STRAIGHT SHANK - RIGHT SPIRAL FLUTE LONG CARBIDE - FOR STEEL

Flute long carbide tips brazed to one piece hardened alloy steel bodies. Right spiral polished flutes. Available with cutting or non-cutting pilots.



FILL IN BLANKS BELOW FOR ORDERING:

MAJOR DIAM. _____ (+.0003"/-.0000")

MINOR DIAM. CUTTING _____ (+.0003"/-.0000")

MINOR DIAM. NON-CUTTING _____ (+.000"/-.001")

STEP LENGTH _____ (+.005"/-.005")

INCL. STEP ANGLE _____

INCL. CHAMFER ANGLE _____

CHAMFER LENGTH _____

NOTES:

1. Order must indicate if pilot is cutting or non-cutting and identify material being machined.
2. The difference between major and minor diameter shall not exceed 6%, and must fall within dimensions shown for that particular tool.
3. Non-cutting pilot diameters may be smaller than cutting diameter range, but not less than non-cutting pilot minimum diameter dimension shown.
4. It is recommended that stock removal of 3% be the basis for selecting each cutting diameter.

Shank diameter tolerance thru ²³/₃₂" tool diameter: +.0000"/-.0010"
over ²³/₃₂" tool diameter: +.0000"/-.0015".

Shanks are ground to the next smallest shank diameter listed in NAS 897 if tool diameter is within .005" of shank diameter.

For closer tolerance pricing per tool diameter, see page 60.

MAJOR AND MINOR CUTTING DIAMETER RANGE	NON-CUT PILOT MIN. DIAM.	MAX SHANK DIAM.	NO. OF FLTS.	LENGTH		NON-FERR. TYPE 3442ST EDP NO.	CAST IRON TYPE 3443ST EDP NO.	STEEL TYPE 3444ST EDP NO.	PRICE EACH - FINISHED TO DECIMAL SIZE						
				FLT	OAL				1 PC.	2 PC.	3 PC.	4 PC.	5-7	8-14	15+
.2841 - .3150	.2670	.2792	4	1 1/2	6	344210ST	344310ST	344410ST	\$201.10	\$158.55	\$144.40	\$137.55	\$130.35	\$124.65	\$116.25
.3151 - .3470	.2960	.2792	4	1 1/2	6	344211ST	344311ST	344411ST	212.95	170.35	156.10	149.45	142.10	136.45	128.05
.3471 - .3780	.3260	.3105	4	1 3/4	7	344212ST	344312ST	344412ST	214.05	171.60	157.40	150.65	143.35	137.55	129.35
.3781 - .4090	.3550	.3105	4	1 3/4	7	344213ST	344313ST	344413ST	219.85	177.35	163.15	156.35	149.05	143.35	135.05
.4091 - .4410	.3850	.3730	6	1 3/4	7	344214ST	344314ST	344414ST	224.95	182.55	168.30	161.55	154.25	148.55	140.25
.4411 - .4720	.4150	.3730	6	1 3/4	7	344215ST	344315ST	344415ST	233.95	191.45	177.25	170.45	163.25	157.45	149.15
.4721 - .5030	.4440	.4355	6	2	8	344216ST	344316ST	344416ST	251.25	205.90	190.70	183.50	175.80	169.60	160.80
.5031 - .5340	.4730	.4355	6	2	8	344217ST	344317ST	344417ST	255.90	210.60	195.45	188.25	180.45	174.35	165.45
.5341 - .5660	.5020	.4355	6	2	8	344218ST	344318ST	344418ST	255.90	210.60	195.45	188.25	180.45	174.35	165.45
.5661 - .5970	.5320	.4355	6	2	8	344219ST	344319ST	344419ST	260.75	215.55	200.40	193.15	185.35	179.25	170.35
.5971 - .6280	.5610	.5615	6	2 1/4	9	344220ST	344320ST	344420ST	260.75	215.55	200.40	193.15	185.35	179.25	170.35
.6281 - .6590	.5900	.5615	6	2 1/4	9	344221ST	344321ST	344421ST	266.15	220.95	205.70	198.50	190.70	184.60	175.80
.6591 - .6910	.6200	.5615	6	2 1/4	9	344222ST	344322ST	344422ST	277.15	231.80	216.60	209.40	201.70	195.60	186.70
.6911 - .7220	.6500	.5615	6	2 1/4	9	344223ST	344323ST	344423ST	279.95	234.60	219.50	212.20	204.50	198.35	189.60
.7221 - .7530	.6790	.6245	6	2 1/2	9 1/2	344224ST	344324ST	344424ST	282.70	237.45	222.25	215.05	207.30	201.15	192.25
.7531 - .7840	.7080	.6245	6	2 1/2	9 1/2	344225ST	344325ST	344425ST	287.80	242.55	227.35	220.15	212.35	206.30	197.35
.7841 - .8160	.7370	.6245	6	2 1/2	9 1/2	344226ST	344326ST	344426ST	287.80	242.55	227.35	220.15	212.35	206.30	197.35
.8161 - .8470	.7670	.6245	6	2 1/2	9 1/2	344227ST	344327ST	344427ST	298.60	253.30	238.10	230.90	223.05	217.05	208.15
.8471 - .8780	.7970	.7495	6	2 5/8	10	344228ST	344328ST	344428ST	309.80	262.90	247.10	239.65	231.50	225.25	216.00
.8781 - .9090	.8260	.7495	6	2 5/8	10	344229ST	344329ST	344429ST	345.40	298.30	282.55	275.15	267.05	260.65	251.40
.9091 - .9410	.8550	.7495	8	2 5/8	10	344230ST	344330ST	344430ST	345.40	298.30	282.55	275.15	267.05	260.65	251.40
.9411 - .9720	.8850	.7495	8	2 5/8	10	344231ST	344331ST	344431ST	357.70	310.70	294.95	287.40	279.35	273.05	263.85
.9721 - 1.0030	.9140	.8745	8	2 3/4	10 1/2	344232ST	344332ST	344432ST	357.70	310.70	294.95	287.40	279.35	273.05	263.85
1.0031 - 1.0660	.9430	.8745	8	2 3/4	10 1/2	344234ST	344334ST	344434ST	403.85	356.85	341.10	333.60	325.60	319.30	310.10
1.0661 - 1.1280	1.0020	.8745	8	2 7/8	11	344236ST	344336ST	344436ST	413.50	366.45	350.65	343.25	335.15	328.85	319.65
1.1281 - 1.1905	1.0610	.9995	8	2 7/8	11	344238ST	344338ST	344438ST	429.90	382.95	367.15	359.70	351.65	345.35	336.05
1.1906 - 1.2530	1.1200	.9995	8	3	11 1/2	344240ST	344340ST	344440ST	449.30	402.25	386.50	379.00	371.00	364.60	355.40
1.2531 - 1.3155	1.1780	.9995	8	3	11 1/2	344242ST	344342ST	344442ST	487.35	440.30	424.50	417.10	408.90	402.60	393.40
1.3156 - 1.3780	1.2370	.9995	8	3 1/4	12	344244ST	344344ST	344444ST	524.80	477.75	462.10	454.55	446.55	440.15	431.05
1.3781 - 1.4405	1.2960	.9995	8	3 1/4	12	344246ST	344346ST	344446ST	550.40	503.35	487.70	480.15	472.15	465.75	456.65
1.4406 - 1.5030	1.3550	1.2495	8	3 1/2	12 1/2	344248ST	344348ST	344448ST	576.25	529.35	513.55	506.10	498.05	491.70	482.45

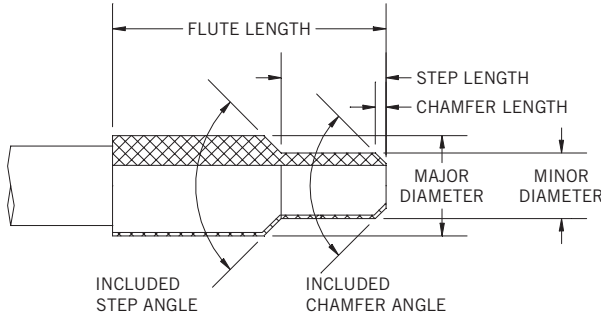
CARBIDE TIPPED LEFT SPIRAL STEP REAMERS

TYPE 3482ST - STRAIGHT SHANK - LEFT SPIRAL FLUTE LONG CARBIDE - FOR NON-FERROUS

TYPE 3483ST - STRAIGHT SHANK - LEFT SPIRAL FLUTE LONG CARBIDE - FOR CAST IRON

TYPE 3484ST - STRAIGHT SHANK - LEFT SPIRAL FLUTE LONG CARBIDE - FOR STEEL

Flute long carbide tips brazed to one piece hardened alloy steel bodies. Left spiral polished flutes. Available with cutting or non-cutting pilots.



FILL IN BLANKS BELOW FOR ORDERING:

MAJOR DIAM. _____ (+.0003"/-.0000")

MINOR DIAM. CUTTING _____ (+.0003"/-.0000")

MINOR DIAM. NON-CUTTING _____ (+.000"/-.001")

STEP LENGTH _____ (+.005"/-.005")

INCL. STEP ANGLE _____

INCL. CHAMFER ANGLE _____

CHAMFER LENGTH _____

NOTES:

1. Order must indicate if pilot is cutting or non-cutting and identify material being machined.
2. The difference between major and minor diameter shall not exceed 6%, and must fall within dimensions shown for that particular tool.
3. Non-cutting pilot diameters may be smaller than cutting diameter range, but not less than non-cutting pilot minimum diameter dimension shown.
4. It is recommended that stock removal of 3% be the basis for selecting each cutting diameter.

Shank diameter tolerance thru 3/32" tool diameter: +.0000"/-.0010".

over 3/32" tool diameter: +.0000"/-.0015".

Shanks are ground to the next smallest shank diameter listed in NAS 897 if tool diameter is within .005" of shank diameter.

For closer tolerance pricing per tool diameter, see page 60.

MAJOR AND MINOR CUTTING DIAMETER RANGE	NON-CUT PILOT MIN. DIAM.	MAX SHANK DIAM.	NO. OF FLTS.	LENGTH		NON-FERR. TYPE 3482ST EDP NO.	CAST IRON TYPE 3483ST EDP NO.	STEEL TYPE 3484ST EDP NO.	PRICE EACH - FINISHED TO DECIMAL SIZE						
				FLT	OAL				1 PC.	2 PC.	3 PC.	4 PC.	5-7	8-14	15+
.2841 - .3150	.2670	.2792	4	1 1/2	6	348210ST	348310ST	348410ST	\$214.50	\$169.20	\$154.05	\$146.75	\$139.00	\$132.90	\$124.05
.3151 - .3470	.2960	.2792	4	1 1/2	6	348211ST	348311ST	348411ST	227.15	181.80	166.60	159.40	151.60	145.50	136.60
.3471 - .3780	.3260	.3105	4	1 3/4	7	348212ST	348312ST	348412ST	228.40	183.00	167.90	160.65	152.85	146.75	137.85
.3781 - .4090	.3550	.3105	4	1 3/4	7	348213ST	348313ST	348413ST	234.40	189.05	174.00	166.75	158.95	152.85	144.00
.4091 - .4410	.3850	.3730	6	1 3/4	7	348214ST	348314ST	348414ST	239.95	194.70	179.50	172.35	164.60	158.50	149.60
.4411 - .4720	.4150	.3730	6	1 3/4	7	348215ST	348315ST	348415ST	249.55	204.20	189.00	181.85	174.05	168.00	159.10
.4721 - .5030	.4440	.4355	6	2	8	348216ST	348316ST	348416ST	257.90	211.45	195.80	188.45	180.45	174.20	165.10
.5031 - .5340	.4730	.4355	6	2	8	348217ST	348317ST	348417ST	262.80	216.30	200.70	193.20	185.35	179.05	169.85
.5341 - .5660	.5020	.4355	6	2	8	348218ST	348318ST	348418ST	262.80	216.30	200.70	193.20	185.35	179.05	169.85
.5661 - .5970	.5320	.4355	6	2	8	348219ST	348319ST	348419ST	267.85	221.35	205.70	198.25	190.30	184.10	174.90
.5971 - .6280	.5610	.5615	6	2 1/4	9	348220ST	348320ST	348420ST	267.85	221.35	205.70	198.25	190.30	184.10	174.90
.6281 - .6590	.5900	.5615	6	2 1/4	9	348221ST	348321ST	348421ST	273.35	226.85	211.25	203.85	195.80	189.60	180.45
.6591 - .6910	.6200	.5615	6	2 1/4	9	348222ST	348322ST	348422ST	284.55	238.05	222.45	215.05	207.00	200.80	191.65
.6911 - .7220	.6500	.5615	6	2 1/4	9	348223ST	348323ST	348423ST	287.45	241.00	225.40	217.95	210.05	203.75	194.55
.7221 - .7530	.6790	.6245	6	2 1/2	9 1/2	348224ST	348324ST	348424ST	290.35	243.75	228.15	220.80	212.90	206.55	197.45
.7531 - .7840	.7080	.6245	6	2 1/2	9 1/2	348225ST	348325ST	348425ST	295.60	249.00	233.50	226.00	218.00	211.75	202.65
.7841 - .8160	.7370	.6245	6	2 1/2	9 1/2	348226ST	348326ST	348426ST	295.60	249.00	233.50	226.00	218.00	211.75	202.65
.8161 - .8470	.7670	.6245	6	2 1/2	9 1/2	348227ST	348327ST	348427ST	306.60	260.05	244.50	237.00	229.05	222.80	213.70
.8471 - .8780	.7970	.7495	6	2 3/8	10	348228ST	348328ST	348428ST	318.10	269.85	253.70	245.95	237.75	231.20	221.80
.8781 - .9090	.8260	.7495	6	2 3/8	10	348229ST	348329ST	348429ST	354.70	306.30	290.20	282.50	274.15	267.65	258.20
.9091 - .9410	.8550	.7495	8	2 3/8	10	348230ST	348330ST	348430ST	354.70	306.30	290.20	282.50	274.15	267.65	258.20
.9411 - .9720	.8850	.7495	8	2 3/8	10	348231ST	348331ST	348431ST	367.35	319.05	302.80	295.10	286.95	280.40	270.90
.9721 - 1.0030	.9140	.8745	8	2 3/4	10 1/2	348232ST	348332ST	348432ST	367.35	319.05	302.80	295.10	286.95	280.40	270.90
1.0031 - 1.0660	.9430	.8745	8	2 3/4	10 1/2	348234ST	348334ST	348434ST	414.70	366.45	350.30	342.60	334.35	327.80	318.25
1.0661 - 1.1280	1.0020	.8745	8	2 3/8	11	348236ST	348336ST	348436ST	424.50	376.35	360.10	352.40	344.20	337.70	328.25
1.1281 - 1.1905	1.0610	.9995	8	2 3/8	11	348238ST	348338ST	348438ST	441.40	393.10	377.00	369.30	361.00	354.60	345.05
1.1906 - 1.2530	1.1200	.9995	8	3	11 1/2	348240ST	348340ST	348440ST	461.30	413.05	396.90	389.20	380.95	374.40	364.90
1.2531 - 1.3155	1.1780	.9995	8	3	11 1/2	348242ST	348342ST	348442ST	500.40	452.05	435.90	428.30	419.95	413.35	403.95
1.3156 - 1.3780	1.2370	.9995	8	3 1/4	12	348244ST	348344ST	348444ST	538.90	490.70	474.45	466.80	458.50	451.95	442.55
1.3781 - 1.4405	1.2960	.9995	8	3 1/4	12	348246ST	348346ST	348446ST	565.20	516.95	500.70	493.00	484.80	478.30	468.85
1.4406 - 1.5030	1.3550	1.2495	8	3 1/2	12 1/2	348248ST	348348ST	348448ST	591.80	543.45	527.20	519.55	511.30	504.80	495.35

FEEDS & SPEEDS CHARTS FOR DRILLS - CARBIDE TIPPED

Feeds & speeds are a starting recommendation only. Factors such as machine, fixture and tooling rigidity, horsepower available, coolant application and others will affect the performance significantly. Please read machine operators instructions and use all safety shields and glasses before performing these operations.



$$\text{IPM} = \text{RPM} \times \text{IPR}$$

$$\text{RPM} = \text{SFPM} \times 3.82 / \text{Drill Diameter}$$

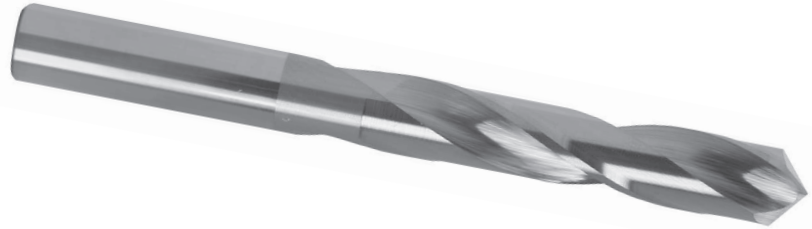
CLASSIFICATION	MATERIAL	BRINELL	SPEED IN SFPM	FEED RATE (INCHES PER REVOLUTION)					HOLE DIAMETER IN INCHES			
			GENERAL PURPOSE (G.P.)	1/8	1/4	3/8	1/2	5/8	3/4	1	1 1/4	1 1/2
NON-FERROUS (SOFT)	ALUMINUM ALLOY - CAST WROUGHT	30 - 150*	250-350	.003	.005	.007	.008	.010	.011	.014	.017	.019
	MAGNESIUM ALLOY	50 - 90*	300-400	.003	.005	.006	.007	.008	.009	.013	.015	.016
	LEAD ALLOY	10 - 20*	350-450	.003	.005	.006	.007	.008	.009	.013	.015	.017
	NON-METAL AND PLASTIC	-	175-450	.002	.004	.005	.005	.006	.008	.009	.010	.012
	ZINC ALLOY - DIE CAST	80 - 100	300-400	.003	.005	.007	.009	.011	.012	.014	.016	.018
NON-FERROUS (HARD)	ALUMINUM BRONZE	40 - 175	125-190	.002	.005	.007	.008	.009	.010	.012	.014	.016
	BRASS ALLOY - LEADED AND FREE CUTTING	10 - 100Rb	225-400	.003	.005	.007	.008	.009	.010	.012	.014	.016
	NICKEL SILVER	10 - 100Rb	125-190	.002	.005	.007	.008	.009	.010	.012	.014	.016
	COPPER ALLOY - TOUGH	40 - 200*	125-190	.002	.005	.007	.008	.009	.010	.012	.014	.016
	DUCTILE CAST IRON - AUSTENITIC	120 - 275	-	-	-	-	-	-	-	-	-	-
CAST IRON	DUCTILE CAST IRON - FERRITIC	140 - 270	150-225	.002	.004	.006	.008	.010	.012	.014	.016	.018
	DUCTILE CAST IRON - MARTENSITIC	270 - 400	-	-	-	-	-	-	-	-	-	-
	GRAY - PEARLITIC	220 - 320	130-225	.002	.004	.006	.007	.009	.010	.013	.016	.018
	GRAY - FERRITIC	120 - 220	125-190	.002	.005	.008	.009	.010	.011	.012	.014	.016
	MALLEABLE CAST IRON - MARTENSITIC	200 - 320	100-150	.002	.004	.006	.007	.008	.010	.012	.014	.016
LOW CARBON STEELS	LOW AND MEDIUM CARBON STEEL - FREE MACHINING	100 - 250	125-175	.003	.004	.008	.010	.012	.014	.017	.018	.019
	LOW AND MEDIUM CARBON STEEL - WROUGHT	100 - 375	-	-	-	-	-	-	-	-	-	-
MEDIUM STRENGTH STEELS	LOW AND MEDIUM CARBON ALLOY STEEL - FREE MACHINING	100 - 275	-	-	-	-	-	-	-	-	-	-
	LOW AND MEDIUM CARBON ALLOY STEEL	85 - 375	-	-	-	-	-	-	-	-	-	-
	STAINLESS STEEL - 400 SERIES	135 - 325	-	-	-	-	-	-	-	-	-	-
	STAINLESS STEEL - 400 SERIES FREE MACHINING	135 - 275	100-150	.002	.004	.005	.006	.007	.008	.010	.012	.014
HIGH STRENGTH STEELS	HIGH STRENGTH STEEL - WROUGHT & TOOL STEEL	175 - 400	-	-	-	-	-	-	-	-	-	-
HIGH TEMP. ALLOYS	HIGH TEMP ALLOYS NICKEL & IRON BASE ALLOY	140 - 300	-	-	-	-	-	-	-	-	-	-
	STAINLESS STEEL - 300 SERIES	135 - 375	-	-	-	-	-	-	-	-	-	-
	STAINLESS STEEL - PH SERIES	150 - 440	-	-	-	-	-	-	-	-	-	-
	TITANIUM ALLOY	110 - 380	-	-	-	-	-	-	-	-	-	-

CLASSIFICATION	MATERIAL	BRINELL	SPEED IN SFPM	FEED RATE (INCHES PER REVOLUTION)					HOLE DIAMETER IN INCHES			
			COOLANT FED (C.F.)	1/8	1/4	3/8	1/2	5/8	3/4	1	1 1/4	1 1/2
NON-FERROUS (SOFT)	ALUMINUM ALLOY - CAST WROUGHT	30 - 150*	375-550	-	.004	.005	.006	.006	.007	.009	-	-
	MAGNESIUM ALLOY	50 - 90*	450-550	-	.005	.006	.007	.008	.009	.013	-	-
	LEAD ALLOY	10 - 20*	400-500	-	.004	.006	.007	.008	.009	.013	-	-
	NON-METAL AND PLASTIC	-	-	-	-	-	-	-	-	-	-	-
	ZINC ALLOY - DIE CAST	80 - 100	400-500	-	.004	.005	.006	.008	.009	.010	-	-
NON-FERROUS (HARD)	ALUMINUM BRONZE	40 - 175	200-300	-	.004	.005	.006	.007	.008	.010	-	-
	BRASS ALLOY - LEADED AND FREE CUTTING	10 - 100Rb	300-450	-	.004	.005	.006	.007	.008	.010	-	-
	NICKEL SILVER	10 - 100Rb	225-300	-	.004	.005	.006	.007	.008	.010	-	-
	COPPER ALLOY - TOUGH	40 - 200*	225-300	-	.004	.005	.006	.007	.008	.010	-	-
	DUCTILE CAST IRON - AUSTENITIC	120 - 275	-	-	-	-	-	-	-	-	-	-
CAST IRON	DUCTILE CAST IRON - FERRITIC	140 - 270	200-250	-	.004	.005	.006	.007	.008	.010	-	-
	DUCTILE CAST IRON - MARTENSITIC	270 - 400	200-250	-	.004	.005	.006	.007	.008	.010	-	-
	GRAY - PEARLITIC	220 - 320	225-325	-	.004	.006	.008	.010	.012	.015	-	-
	GRAY - FERRITIC	120 - 220	200-250	-	.004	.006	.008	.008	.008	.010	-	-
	MALLEABLE CAST IRON - MARTENSITIC	200 - 320	200-250	-	.004	.005	.006	.007	.008	.010	-	-
LOW CARBON STEELS	LOW AND MEDIUM CARBON STEEL - FREE MACHINING	100 - 250	150-250	-	.005	.006	.008	.009	.010	.012	-	-
	LOW AND MEDIUM CARBON STEEL - WROUGHT	100 - 375	-	-	-	-	-	-	-	-	-	-
MEDIUM STRENGTH STEELS	LOW AND MEDIUM CARBON ALLOY STEEL - FREE MACHINING	100 - 275	100-220	-	.005	.006	.007	.008	.010	.012	-	-
	LOW AND MEDIUM CARBON ALLOY STEEL	85 - 375	100-150	-	.005	.006	.007	.008	.010	.012	-	-
	STAINLESS STEEL - 400 SERIES	135 - 325	110-150	-	.004	.005	.006	.007	.008	.010	-	-
	STAINLESS STEEL - 400 SERIES FREE MACHINING	135 - 275	125-190	-	.004	.005	.006	.007	.007	.008	-	-
HIGH STRENGTH STEELS	HIGH STRENGTH STEEL - WROUGHT & TOOL STEEL	175 - 400	100-150	-	.0015	.002	.003	.004	.005	.006	-	-
HIGH TEMP. ALLOYS	HIGH TEMP ALLOYS NICKEL & IRON BASE ALLOY	140 - 300	-	-	-	-	-	-	-	-	-	-
	STAINLESS STEEL - 300 SERIES	135 - 375	-	-	-	-	-	-	-	-	-	-
	STAINLESS STEEL - PH SERIES	150 - 440	-	-	-	-	-	-	-	-	-	-
	TITANIUM ALLOY	110 - 380	-	-	-	-	-	-	-	-	-	-

SOLID CARBIDE JOBBERS LENGTH TWIST DRILLS

TYPE 3860 - JOBBERS LENGTH - 118° SPLIT POINT

Solid Carbide 25° Helix jobbers drill manufactured with sub micrograin C2 carbide for general purpose drilling of non-ferrous alloys, cast iron, plastics, aluminum, steel, and highly abrasive materials. Chisel point centrality is within .001.



Tool diameter tolerance: +.0000 / -.0005
 Included angle tolerance: +/- 2°
 Lip Height TIV: +.0015 / -.0015
 Metric tolerance: h7

TOOL DIAMETER		LENGTH		TYPE 3860 EDP NO.	PRICE EACH
DEC.	FRAC./mm WIRE/LTR	FLT	OAL		
.0312	1/32	5/16	1 1/4	3860002	\$16.70
.0320	67	5/16	1 1/4	38600320	16.70
.0330	66	5/16	1 1/4	38600330	16.70
.0350	65	5/8	1 3/8	38600350	16.70
.0360	64	5/8	1 3/8	38600360	16.70
.0370	63	5/8	1 3/8	38600370	16.70
.0380	62	5/8	1 3/8	38600380	16.70
.0390	61	5/8	1 3/8	38600390	16.70
.0394	1.0mm	16	38	3860010	19.95
.0400	60	3/4	1 1/2	38600400	16.70
.0410	59	3/4	1 1/2	38600410	16.70
.0420	58	3/4	1 1/2	38600420	16.70
.0430	57	3/4	1 1/2	38600430	16.70
.0465	56	3/4	1 1/2	38600465	16.70
.0469	5/64	3/4	1 1/2	3860003	16.70
.0520	55	3/4	1 1/2	38600520	16.70
.0550	54	3/4	1 1/2	38600550	16.70
.0591	1.5mm	19	38	3860015	19.90
.0595	53	3/4	1 1/2	38600595	16.70
.0625	1/16	3/4	1 1/2	3860004	15.75
.0635	52	3/4	1 1/2	38600635	16.70
.0670	51	3/4	1 1/2	38600670	16.70
.0700	50	7/8	1 3/4	38600700	17.05
.0730	49	7/8	1 3/4	38600730	17.50
.0760	48	7/8	1 3/4	38600760	17.75
.0781	5/64	7/8	1 3/4	3860005	17.45
.0785	47	7/8	1 3/4	38600785	17.75
.0787	2.0mm	22	44	3860020	21.15
.0810	46	7/8	1 3/4	38600810	17.75
.0820	45	7/8	1 3/4	38600820	18.10
.0860	44	1	2	38600860	18.75
.0890	43	1	2	38600890	18.75
.0935	42	1	2	38600935	18.85
.0938	3/32	1	2	3860006	18.05
.0960	41	1	2	38600960	18.90
.0980	40	1	2	38600980	19.05
.0984	2.5mm	25	50	3860025	21.75
.0995	39	1 1/4	2 1/4	38600995	19.30
.1015	38	1 1/4	2 1/4	38601015	19.30
.1040	37	1 1/4	2 1/4	38601040	19.30
.1065	36	1 1/4	2 1/4	38601065	19.30
.1094	7/64	1 1/4	2 1/4	3860007	19.75
.1100	35	1 1/4	2 1/4	38601100	19.75
.1110	34	1 1/4	2 1/4	38601110	20.25
.1130	33	1 1/4	2 1/4	38601130	20.25
.1160	32	1 1/4	2 1/4	38601160	20.70
.1181	3.0mm	32	57	3860030	24.20
.1200	31	1 1/4	2 1/4	38601200	21.05
.1250	1/8	1 1/4	2 1/4	3860008	20.50

TOOL DIAMETER		LENGTH		TYPE 3860 EDP NO.	PRICE EACH
DEC.	FRAC./mm WIRE/LTR	FLT	OAL		
.1285	30	1 1/4	2 1/4	38601285	\$21.90
.1360	29	1 3/8	2 1/2	38601360	22.10
.1378	3.5mm	35	63	3860035	25.45
.1405	28	1 3/8	2 1/2	38601405	22.70
.1406	5/64	1 3/8	2 1/2	3860009	24.35
.1440	27	1 3/8	2 1/2	38601440	23.60
.1470	26	1 3/8	2 1/2	38601470	24.05
.1495	25	1 3/8	2 1/2	38601495	24.20
.1520	24	1 3/8	2 1/2	38601520	24.85
.1540	23	1 3/8	2 1/2	38601540	25.80
.1562	3/32	1 3/8	2 1/2	3860100	25.45
.1570	22	1 3/8	2 1/2	38601570	27.45
.1575	4.0mm	35	63	3860040	30.40
.1590	21	1 3/8	2 1/2	38601590	27.75
.1610	20	1 3/8	2 1/2	38601610	27.95
.1660	19	1 3/8	2 3/4	38601660	29.10
.1695	18	1 5/8	2 3/4	38601695	29.30
.1719	17/64	1 5/8	2 3/4	3860111	29.90
.1730	17	1 5/8	2 3/4	38601730	29.90
.1770	16	1 5/8	2 3/4	38601770	30.40
.1772	4.5mm	41	70	3860045	33.70
.1800	15	1 5/8	2 3/4	38601800	30.65
.1820	14	1 5/8	2 3/4	38601820	30.50
.1850	13	1 5/8	2 3/4	38601850	31.15
.1875	3/16	1 5/8	2 3/4	3860112	30.00
.1890	12	1 5/8	2 3/4	38601890	31.60
.1910	11	1 5/8	2 3/4	38601910	32.20
.1935	10	1 5/8	2 3/4	38601935	32.70
.1960	9	1 3/4	3	38601960	33.40
.1969	5.0mm	44	75	3860050	37.55
.1990	8	1 3/4	3	38601990	34.30
.2010	7	1 3/4	3	38602010	34.65
.2031	13/64	1 3/4	3	3860113	36.50
.2040	6	1 3/4	3	38602040	36.05
.2055	5	1 3/4	3	38602055	36.50
.2090	4	1 3/4	3	38602090	37.45
.2130	3	1 3/4	3	38602130	38.50
.2165	5.5mm	44	75	3860055	42.35
.2188	7/32	1 3/4	3	3860114	37.75
.2210	2	1 3/4	3	38602210	40.00
.2280	1	1 3/4	3	38602280	42.05
.2340	A	2	3 1/4	38602340	46.65
.2344	15/64	2	3 1/4	3860115	41.90
.2362	6.0mm	50	82	3860060	46.95
.2380	B	2	3 1/4	38602380	47.85
.2420	C	2	3 1/4	38602420	48.00
.2460	D	2	3 1/4	38602460	49.35
.2500	E, 1/4	2	3 1/4	3860116	42.75
.2559	6.5mm	50	82	3860065	55.70

TOOL DIAMETER		LENGTH		TYPE 3860 EDP NO.	PRICE EACH
DEC.	FRAC./mm WIRE/LTR	FLT	OAL		
.2570	F	2	3 1/4	38602570	\$52.40
.2610	G	2 1/8	3 1/2	38602610	53.20
.2656	17/64	2 1/8	3 1/2	3860117	46.75
.2660	H	2 1/8	3 1/2	38602660	54.70
.2720	I	2 1/8	3 1/2	38602720	55.80
.2756	7.0mm	54	89	3860070	62.35
.2770	J	2 1/8	3 1/2	38602770	57.15
.2810	K	2 1/8	3 1/2	38602810	57.60
.2812	3/32	2 1/8	3 1/2	3860118	50.45
.2900	L	2 1/8	3 1/2	38602900	60.40
.2950	M	2 3/8	3 3/4	38602950	62.50
.2953	7.5mm	60	95	3860075	68.05
.2969	19/64	2 3/8	3 3/4	3860119	57.45
.3020	N	2 3/8	3 3/4	38603020	66.20
.3125	5/16	2 3/8	3 3/4	3860200	61.00
.3150	8.0mm	60	95	3860080	69.15
.3160	O	2 3/8	3 3/4	38603160	70.10
.3230	P	2 3/8	3 3/4	38603230	72.35
.3281	21/64	2 1/2	4	3860211	66.50
.3320	Q	2 1/2	4	38603320	76.80
.3346	8.5mm	63	100	3860085	82.05
.3390	R	2 1/2	4	38603390	79.25
.3438	11/32	2 1/2	4	3860222	73.70
.3480	S	2 1/2	4	38603480	87.05
.3543	9.0mm	70	100	3860090	93.40
.3580	T	2 3/4	4 1/4	38603580	90.15
.3594	23/64	2 3/4	4 1/4	3860223	80.45
.3680	U	2 3/4	4 1/4	38603680	91.95
.3740	9.5mm	70	108	3860095	96.70
.3750	3/8	2 3/4	4 1/4	3860224	87.25
.3770	V	2 3/4	4 1/4	38603770	101.45
.3860	W	2 7/8	4 1/2	38603860	107.60
.3906	25/64	2 7/8	4 1/2	3860225	98.70
.3937	10.0mm	73	114	3860100	115.00
.3970	X	2 7/8	4 1/2	38603970	116.40
.4040	Y	2 7/8	4 1/2	38604040	115.55
.4062	13/32	2 7/8	4 1/2	3860226	109.45
.4130	Z	2 7/8	4 1/2	38604130	127.55
.4134	10.5mm	73	114	3860105	131.65
.4219	27/64	2 7/8	4 1/2	3860227	119.75
.4331	11.0mm	73	114	3860110	146.85
.4375	7/16	2 7/8	4 1/2	3860228	129.70
.4528	11.5mm	76	120	3860115	160.35
.4531	29/64	3	4 3/4	3860229	140.55
.4688	15/32	3	4 3/4	3860300	151.30
.4724	12.0mm	76	120	3860120	170.50
.4844	31/64	3	4 3/4	3860301	155.75
.4921	12.5mm	76	120	3860125	189.45
.5000	1/2	3	4 3/4	3860302	159.70

LEXINGTON CUTTER, INC. • sales@lexingtoncutter.com • Phone 800-882-2627 • Fax 800-882-3637

CARBIDE TIPPED TANGED JOBBERS LENGTH TWIST DRILLS

TYPE 3690 - TANGED JOBBERS LENGTH - 118° POINT
TYPE 3691 - TANGED JOBBERS LENGTH - 135° SPLIT POINT

Same as Types 3600 and 3601 on page 130, except all tools are tanged.
 Designed for applications requiring ASA split sleeve drill drivers.
 (Not usually recommended for steel.)



For drill tolerances, see page 150.
 Overall length tolerance: +1/4" / -1/8"

TOOL DIAMETER			LENGTH		118° POINT		135° POINT		TOOL DIAMETER			LENGTH		118° POINT		135° POINT	
DECIMAL	FRACTION	WIRE LETTER	FLUTE	OVER-ALL	TYPE 3690 EDP NO.	PRICE EACH	TYPE 3691 EDP NO.	PRICE EACH	DECIMAL	FRACTION	WIRE LETTER	FLUTE	OVER-ALL	TYPE 3690 EDP NO.	PRICE EACH	TYPE 3691 EDP NO.	PRICE EACH
.1250	1/8		1 5/8	2 3/4	369008	\$19.15	369108	\$22.50	.2770		J	2 7/8	4 1/8	369410	\$31.70	369510	\$36.80
.1285		30	1 5/8	2 3/4	369230	19.65	369330	22.85	.2810		K	2 15/16	4 1/4	369411	31.70	369511	36.80
.1360		29	1 3/4	2 7/8	369229	20.35	369329	23.45	.2812	9/32		2 15/16	4 1/4	369018	30.20	369118	34.95
.1405		28	1 3/4	2 7/8	369228	20.50	369328	23.95	.2900		L	2 15/16	4 1/4	369412	31.70	369512	36.80
.1406	9/64		1 3/4	2 7/8	369009	20.80	369109	24.35	.2950		M	3 1/16	4 3/8	369413	34.85	369513	40.65
.1440		27	1 7/8	3	369227	21.05	369327	24.55	.2969	19/64		3 1/16	4 3/8	369019	33.55	369119	38.75
.1470		26	1 7/8	3	369226	19.60	369326	22.85	.3020		N	3 1/16	4 3/8	369414	34.15	369514	39.75
.1495		25	1 7/8	3	369225	19.60	369325	22.85	.3125	5/16		3 3/16	4 1/2	369020	32.70	369120	38.00
.1520		24	2	3 1/8	369224	21.05	369324	24.55	.3160		O	3 3/16	4 1/2	369415	33.60	369515	38.80
.1540		23	2	3 1/8	369223	20.50	369323	23.95	.3230		P	3 3/16	4 5/8	369416	35.85	369516	41.55
.1562	5/32		2	3 1/8	369010	20.40	369110	23.95	.3281	21/64		3 5/16	4 5/8	369021	34.65	369121	40.35
.1570		22	2	3 1/8	369222	22.80	369322	26.40	.3320		Q	3 7/16	4 3/4	369417	36.65	369517	42.50
.1590		21	2 1/8	3 1/4	369221	21.65	369321	25.25	.3390		R	3 7/16	4 3/4	369418	35.85	369518	41.55
.1610		20	2 1/8	3 1/4	369220	22.25	369320	25.90	.3438	11/32		3 7/16	4 3/4	369022	34.65	369122	40.35
.1660		19	2 1/8	3 1/4	369219	22.25	369319	25.90	.3480		S	3 1/2	4 7/8	369419	38.60	369519	44.90
.1695		18	2 1/8	3 1/4	369218	22.25	369318	25.90	.3580		T	3 1/2	4 7/8	369420	39.35	369520	45.70
.1719	11/64		2 1/8	3 1/4	369011	22.25	369111	25.90	.3594	23/64		3 1/2	4 7/8	369023	36.95	369123	42.95
.1730		17	2 3/16	3 3/8	369217	22.25	369317	25.90	.3680		U	3 5/8	5	369421	37.90	369521	43.85
.1770		16	2 3/16	3 3/8	369216	21.65	369316	25.25	.3750	3/8		3 5/8	5	369024	36.95	369124	42.95
.1800		15	2 3/16	3 3/8	369215	22.80	369315	26.40	.3770		V	3 5/8	5	369422	38.60	369522	44.90
.1820		14	2 3/16	3 3/8	369214	21.65	369314	25.25	.3860		W	3 3/4	5 1/8	369423	42.35	369523	48.95
.1850		13	2 5/16	3 1/2	369213	23.95	369313	25.25	.3906	25/64		3 3/4	5 1/8	369025	40.15	369125	46.75
.1875	3/16		2 5/16	3 1/2	369012	21.65	369112	25.25	.3970		X	3 3/4	5 1/8	369424	40.50	369524	46.95
.1890		12	2 5/16	3 1/2	369212	24.95	369312	26.40	.4040		Y	3 7/8	5 1/4	369425	42.35	369525	48.95
.1910		11	2 5/16	3 1/2	369211	23.10	369311	26.65	.4062	13/32		3 7/8	5 1/4	369026	40.15	369126	46.75
.1935		10	2 7/16	3 5/8	369210	22.80	369310	26.40	.4130		Z	3 7/8	5 1/4	369426	46.80	369526	54.25
.1960		9	2 7/16	3 5/8	369209	23.10	369309	26.65	.4219	27/64		3 15/16	5 3/8	369027	43.70	369127	50.75
.1990		8	2 7/16	3 5/8	369208	23.10	369308	26.65	.4375	7/16		4 1/16	5 1/2	369028	43.70	369128	50.75
.2010		7	2 7/16	3 5/8	369207	23.10	369307	26.65	.4531	29/64		4 3/16	5 5/8	369029	50.10	369129	58.10
.2031	13/64		2 7/16	3 5/8	369013	23.80	369113	27.55	.4688	15/32		4 3/16	5 3/4	369030	49.20	369130	56.85
.2040		6	2 1/2	3 3/4	369206	23.50	369306	27.45	.4844	31/64		4 3/8	5 7/8	369031	54.90	369131	63.75
.2055		5	2 1/2	3 3/4	369205	23.90	369305	26.65	.5000	1/2		4 1/2	6	369032	60.40	369132	63.75
.2090		4	2 1/2	3 3/4	369204	23.50	369304	27.45	.5156	33/64		4 13/16	6 5/8	369033	78.60	369133	91.35
.2130		3	2 1/2	3 3/4	369203	23.90	369303	26.65	.5312	17/32		4 13/16	6 5/8	369034	78.60	369134	91.35
.2188	7/32		2 1/2	3 3/4	369014	23.80	369114	27.70	.5469	35/64		4 13/16	6 5/8	369035	79.40	369135	92.25
.2210		2	2 5/8	3 7/8	369202	24.80	369302	28.70	.5625	9/16		4 13/16	6 5/8	369036	79.40	369136	92.25
.2280		1	2 5/8	3 7/8	369201	24.50	369301	28.35	.5781	37/64		4 13/16	6 5/8	369037	87.65	369137	101.90
.2340		A	2 5/8	3 7/8	369401	27.00	369501	31.25	.5938	19/32		5 3/16	7 1/8	369038	85.35	369138	99.00
.2344	15/64		2 5/8	3 7/8	369015	25.60	369115	29.85	.6094	39/64		5 3/16	7 1/8	369039	100.75	369139	116.95
.2380		B	2 3/4	4	369402	27.00	369502	31.25	.6250	5/8		5 3/16	7 1/8	369040	96.60	369140	111.95
.2420		C	2 3/4	4	369403	27.00	369503	31.25	.6406	41/64		5 3/16	7 1/8	369041	111.45	369141	129.35
.2460		D	2 3/4	4	369404	26.35	369504	30.55	.6562	21/32		5 3/16	7 1/8	369042	98.15	369142	113.95
.2500	1/4		2 3/4	4	369016	25.60	369116	29.85	.6719	43/64		5 5/8	7 5/8	369043	127.90	369143	148.40
.2570		F	2 7/8	4 1/8	369406	30.25	369506	35.30	.6875	11/16		5 5/8	7 5/8	369044	100.10	369144	116.05
.2610		G	2 7/8	4 1/8	369407	31.10	369507	35.90	.7031	45/64		5 5/8	7 5/8	369045	117.00	369145	130.15
.2656	17/64		2 7/8	4 1/8	369017	28.50	369117	32.55	.7188	23/32		5 5/8	7 5/8	369046	118.20	369146	131.25
.2660		H	2 7/8	4 1/8	369408	31.70	369508	36.80	.7344	47/64		5 5/8	7 5/8	369047	118.80	369147	132.15
.2720		I	2 7/8	4 1/8	369409	31.10	369509	35.90	.7500	3/4		5 13/16	8	369048	120.80	369148	134.10

CARBIDE TIPPED JOBBERS LENGTH TWIST DRILLS

TYPE 3600 - JOBBERS LENGTH - 118° POINT
TYPE 3601 - JOBBERS LENGTH - 135° SPLIT POINT

Carbide tip brazed to hardened tool steel bodies.

Smooth flutes for effective chip flow. Precision ground to insure concentricity of tip & body. For drilling cast iron, non-ferrous metals and non-metals.

(Not usually recommended for drilling steel.)

Tanged jobber drill pricing available on our website www.lexingtoncutter.com.



Overall length tolerance: +1/4" / -1/8".

For drill tolerances, see page 150.

For smaller sizes and solid carbide drills see page 128.

TOOL DIAMETER			LENGTH		118° POINT		135° POINT		TOOL DIAMETER			LENGTH		118° POINT		135° POINT	
DECIMAL	FRACTIONAL	WIRE LETTER	FLUTE	OVER-ALL	TYPE 3600 EDP NO.	PRICE EACH	TYPE 3601 EDP NO.	PRICE EACH	DECIMAL	FRACTIONAL	WIRE LETTER	FLUTE	OVER-ALL	TYPE 3600 EDP NO.	PRICE EACH	TYPE 3601 EDP NO.	PRICE EACH
.1160		32	1 5/8	2 3/4	360232	\$17.20	360332	\$20.20	.2720		I	2 7/8	4 1/8	360409	\$25.75	360509	\$29.75
.1200		31	1 5/8	2 3/4	360231	15.50	360331	18.10	.2770		J	2 7/8	4 1/8	360410	26.25	360510	30.40
.1250	1/8		1 5/8	2 3/4	360008	15.95	360108	18.60	.2810		K	2 15/16	4 1/4	360411	26.25	360511	30.40
.1285		30	1 5/8	2 3/4	360230	16.25	360330	18.85	.2812	9/32		2 15/16	4 1/4	360018	25.00	360118	29.00
.1360		29	1 3/4	2 7/8	360229	16.85	360329	19.45	.2900		L	2 15/16	4 1/4	360412	26.25	360512	30.40
.1405		28	1 3/4	2 7/8	360228	17.00	360328	19.80	.2950		M	3 1/16	4 3/8	360413	28.95	360513	33.70
.1406	9/64		1 3/4	2 7/8	360009	17.20	360109	20.10	.2969	19/64		3 1/16	4 3/8	360019	27.70	360119	32.05
.1440		27	1 7/8	3	360227	17.45	360327	20.25	.3020		N	3 1/16	4 3/8	360414	28.25	360514	32.85
.1470		26	1 7/8	3	360226	16.20	360326	18.85	.3125	5/16		3 3/16	4 1/2	360020	27.10	360120	31.45
.1495		25	1 7/8	3	360225	16.20	360325	18.85	.3160		O	3 3/16	4 1/2	360415	27.80	360515	32.20
.1520		24	2	3 1/8	360224	17.45	360324	20.25	.3230		P	3 5/16	4 5/8	360416	29.70	360516	34.35
.1540		23	2	3 1/8	360223	17.00	360323	19.80	.3281	21/64		3 5/16	4 5/8	360021	28.70	360121	33.40
.1562	5/32		2	3 1/8	360010	16.90	360110	19.80	.3320		Q	3 7/16	4 3/4	360417	30.25	360517	35.25
.1570		22	2	3 1/8	360222	18.75	360322	21.90	.3390		R	3 7/16	4 3/4	360418	29.70	360518	34.35
.1590		21	2 1/8	3 1/4	360221	17.95	360321	20.90	.3438	11/32		3 7/16	4 3/4	360022	28.70	360122	33.40
.1610		20	2 1/8	3 1/4	360220	18.50	360320	21.35	.3480		S	3 1/2	4 7/8	360419	31.90	360519	37.10
.1660		19	2 1/8	3 1/4	360219	18.50	360319	21.35	.3580		T	3 1/2	4 7/8	360420	32.55	360520	37.90
.1695		18	2 1/8	3 1/4	360218	18.50	360318	21.35	.3594	23/64		3 1/2	4 7/8	360023	30.55	360123	35.55
.1719	11/64		2 1/8	3 1/4	360011	18.50	360111	21.35	.3680		U	3 5/8	5	360421	31.30	360521	36.35
.1730		17	2 3/16	3 3/8	360217	18.50	360317	21.35	.3750	3/8		3 5/8	5	360024	30.55	360124	35.55
.1770		16	2 3/16	3 3/8	360216	17.95	360316	20.90	.3770		V	3 5/8	5	360422	31.90	360522	37.10
.1800		15	2 3/16	3 3/8	360215	18.75	360315	21.90	.3860		W	3 3/4	5 1/8	360423	35.10	360523	40.60
.1820		14	2 3/16	3 3/8	360214	17.95	360314	20.90	.3906	25/64		3 3/4	5 1/8	360025	33.25	360125	38.75
.1850		13	2 5/16	3 1/2	360213	19.80	360313	20.90	.3970		X	3 3/4	5 1/8	360424	33.60	360524	38.95
.1875	3/16		2 5/16	3 1/2	360012	17.95	360112	20.90	.4040		Y	3 7/8	5 1/4	360425	35.10	360525	40.60
.1890		12	2 5/16	3 1/2	360212	20.70	360312	21.90	.4062	13/32		3 7/8	5 1/4	360026	33.25	360126	38.75
.1910		11	2 5/16	3 1/2	360211	19.15	360311	22.10	.4130		Z	3 7/8	5 1/4	360426	38.80	360526	44.90
.1935		10	2 7/16	3 5/8	360210	18.75	360310	21.90	.4219	27/64		3 15/16	5 3/8	360027	36.20	360127	42.00
.1960		9	2 7/16	3 5/8	360209	19.15	360309	22.10	.4375	7/16		4 1/16	5 1/2	360028	36.20	360128	42.00
.1990		8	2 7/16	3 5/8	360208	19.15	360308	22.10	.4531	29/64		4 3/16	5 5/8	360029	41.55	360129	48.15
.2010		7	2 7/16	3 5/8	360207	19.15	360307	22.10	.4688	15/32		4 5/16	5 3/4	360030	40.65	360130	47.10
.2031	13/64		2 7/16	3 5/8	360013	19.75	360113	22.80	.4844	31/64		4 3/8	5 7/8	360031	45.50	360131	52.75
.2040		6	2 1/2	3 3/4	360206	19.50	360306	22.70	.5000	1/2		4 1/2	6	360032	50.00	360132	52.75
.2055		5	2 1/2	3 3/4	360205	19.75	360305	22.10	.5156	33/64		4 13/16	6 5/8	360033	65.15	360133	75.70
.2090		4	2 1/2	3 3/4	360204	19.50	360304	22.70	.5312	17/32		4 13/16	6 5/8	360034	65.15	360134	75.70
.2130		3	2 1/2	3 3/4	360203	19.75	360303	22.10	.5469	35/64		4 13/16	6 5/8	360035	65.75	360135	76.30
.2188	7/32		2 1/2	3 3/4	360014	19.75	360114	22.80	.5625	9/16		4 13/16	6 5/8	360036	65.75	360136	76.30
.2210		2	2 5/8	3 7/8	360202	20.55	360302	23.80	.5781	37/64		4 13/16	6 5/8	360037	72.55	360137	84.35
.2280		1	2 5/8	3 7/8	360201	20.20	360301	23.45	.5938	19/32		5 3/16	7 1/8	360038	70.55	360138	82.00
.2340		A	2 5/8	3 7/8	360401	22.35	360501	25.90	.6094	39/64		5 3/16	7 1/8	360039	83.50	360139	96.85
.2344	15/64		2 5/8	3 7/8	360015	21.20	360115	24.70	.6250	5/8		5 3/16	7 1/8	360040	80.00	360140	92.75
.2380		B	2 3/4	4	360402	22.35	360502	25.90	.6406	41/64		5 3/16	7 1/8	360041	92.25	360141	107.15
.2420		C	2 3/4	4	360403	22.35	360503	25.90	.6562	21/32		5 3/16	7 1/8	360042	81.30	360142	94.40
.2460		D	2 3/4	4	360404	21.80	360504	25.40	.6719	43/64		5 5/8	7 5/8	360043	105.80	360143	122.95
.2500	1/4	E	2 3/4	4	360016	21.20	360116	24.70	.6875	11/16		5 5/8	7 5/8	360044	82.90	360144	96.15
.2570		F	2 7/8	4 1/8	360406	25.10	360506	29.10	.7031	45/64		5 5/8	7 5/8	360045	96.85	360145	107.75
.2610		G	2 7/8	4 1/8	360407	25.75	360507	29.75	.7188	23/32		5 5/8	7 5/8	360046	97.85	360146	108.80
.2656	17/64		2 7/8	4 1/8	360017	23.60	360117	27.00	.7344	47/64		5 5/8	7 5/8	360047	98.40	360147	109.35
.2660		H	2 7/8	4 1/8	360408	26.25	360508	30.40	.7500	3/4		5 13/16	8	360048	99.85	360148	111.00

CARBIDE TIPPED JOBBERS LENGTH TWIST DRILLS METRIC



TYPE 3600 - JOBBERS LENGTH - 118° POINT
TYPE 3601 - JOBBERS LENGTH - 135° SPLIT POINT

Detailed description and fractional sizes on page 130.
 (Not usually recommended for steel.)

For drill tolerances, see page 150.
 Overall length tolerance: +1/4" / -1/8"

TOOL DIAMETER		FLUTE LENGTH		OVERALL LENGTH		118° POINT		135° POINT	
mm	INCH	mm	INCH	mm	INCH	TYPE 3600 EDP NO.	PRICE EACH	TYPE 3601 EDP NO.	PRICE EACH
3.0	.1181	41	1 5/8	70	2 3/4	3600030	\$21.45	3601030	\$21.90
3.1	.1220	41	1 5/8	70	2 3/4	3600031	22.40	3601031	22.70
3.2	.1260	41	1 5/8	70	2 3/4	3600032	22.40	3601032	22.70
3.3	.1299	44	1 3/4	73	2 7/8	3600033	22.40	3601033	22.70
3.4	.1339	44	1 3/4	73	2 7/8	3600034	22.40	3601034	22.70
3.5	.1378	44	1 3/4	73	2 7/8	3600035	20.70	3601035	21.45
3.6	.1417	48	1 7/8	76	3	3600036	21.45	3601036	21.90
3.7	.1457	48	1 7/8	76	3	3600037	21.45	3601037	21.90
3.8	.1496	48	1 7/8	76	3	3600038	21.45	3601038	21.90
3.9	.1535	51	2	79	3 1/8	3600039	21.45	3601039	21.90
4.0	.1575	54	2 1/8	83	3 1/4	3600040	20.20	3601040	20.70
4.1	.1614	54	2 1/8	83	3 1/4	3600041	19.45	3601041	22.10
4.2	.1654	54	2 1/8	83	3 1/4	3600042	20.70	3601042	22.10
4.3	.1693	54	2 1/8	83	3 1/4	3600043	20.70	3601043	22.10
4.4	.1732	56	2 3/16	86	3 3/8	3600044	20.70	3601044	22.10
4.5	.1772	56	2 3/16	86	3 3/8	3600045	21.45	3601045	22.10
4.6	.1811	56	2 3/16	86	3 3/8	3600046	23.35	3601046	23.65
4.7	.1850	59	2 5/16	89	3 1/2	360213	19.80	360313	20.90
4.8	.1890	59	2 5/16	89	3 1/2	360212	20.70	360312	21.90
4.9	.1929	62	2 7/16	92	3 5/8	3600049	23.35	3601049	23.65
5.0	.1969	62	2 7/16	92	3 5/8	3600050	22.40	3601050	23.10
5.1	.2008	62	2 7/16	92	3 5/8	3600051	24.35	3601051	24.70
5.2	.2047	64	2 1/2	95	3 3/4	3600052	24.35	3601052	24.70
5.3	.2087	64	2 1/2	95	3 3/4	3600053	24.35	3601053	24.70
5.4	.2126	64	2 1/2	95	3 3/4	3600054	24.35	3601054	24.70
5.5	.2165	64	2 1/2	95	3 3/4	3600055	23.80	3601055	24.05
5.6	.2205	67	2 5/8	98	3 7/8	3600056	25.00	3601056	25.45
5.7	.2244	67	2 5/8	98	3 7/8	3600057	25.00	3601057	25.45
5.8	.2283	67	2 5/8	98	3 7/8	3600058	25.00	3601058	25.45
5.9	.2323	67	2 5/8	98	3 7/8	3600059	25.00	3601059	25.45
6.0	.2362	70	2 3/4	102	4	3600060	24.70	3601060	26.10
6.1	.2402	70	2 3/4	102	4	3600061	26.10	3601061	26.80
6.2	.2441	70	2 3/4	102	4	3600062	26.10	3601062	26.80
6.3	.2480	70	2 3/4	102	4	3600063	26.10	3601063	26.80
6.4	.2520	73	2 7/8	105	4 1/8	3600064	26.10	3601064	26.80
6.5	.2559	73	2 7/8	105	4 1/8	3600065	25.50	3601065	26.10
6.6	.2598	73	2 7/8	105	4 1/8	3600066	27.30	3601066	30.55
6.7	.2638	73	2 7/8	105	4 1/8	3600067	27.30	3601067	30.55
6.8	.2677	73	2 7/8	105	4 1/8	3600068	27.30	3601068	30.55
6.9	.2717	73	2 7/8	105	4 1/8	3600069	27.30	3601069	30.55
7.0	.2756	73	2 7/8	105	4 1/8	3600070	26.70	3601070	30.55
7.1	.2795	75	2 15/16	108	4 1/4	3600071	27.95	3601071	30.55
7.2	.2835	75	2 15/16	108	4 1/4	3600072	27.95	3601072	30.55
7.3	.2874	75	2 15/16	108	4 1/4	3600073	27.95	3601073	30.55
7.4	.2913	78	3 1/16	111	4 3/8	3600074	27.95	3601074	33.10
7.5	.2953	78	3 1/16	111	4 3/8	3600075	27.95	3601075	33.10
7.6	.2992	78	3 1/16	111	4 3/8	3600076	29.30	3601076	33.10
7.7	.3031	81	3 3/16	114	4 1/2	3600077	29.30	3601077	33.10
7.8	.3071	81	3 3/16	114	4 1/2	3600078	29.30	3601078	33.10
7.9	.3110	81	3 3/16	114	4 1/2	3600079	29.30	3601079	33.10
8.0	.3150	81	3 3/16	114	4 1/2	3600080	28.65	3601080	33.10
8.1	.3189	84	3 5/16	117	4 5/8	3600081	31.30	3601081	35.25
8.2	.3228	84	3 5/16	117	4 5/8	3600082	31.30	3601082	35.25
8.3	.3268	84	3 5/16	117	4 5/8	3600083	31.30	3601083	35.25
8.4	.3307	87	3 7/16	121	4 3/4	3600084	31.30	3601084	35.25
8.5	.3346	87	3 7/16	121	4 3/4	3600085	30.00	3601085	35.25
8.6	.3386	87	3 7/16	121	4 3/4	3600086	31.30	3601086	35.25

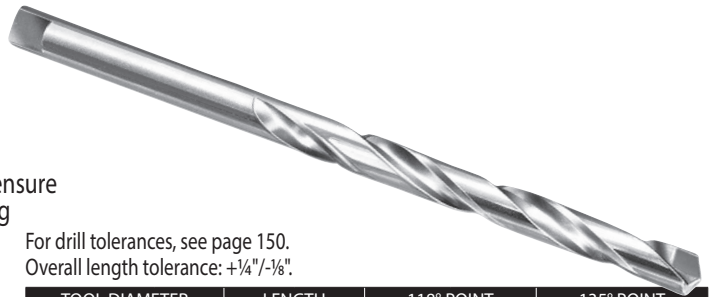
TOOL DIAMETER		FLUTE LENGTH		OVERALL LENGTH		118° POINT		135° POINT	
mm	INCH	mm	INCH	mm	INCH	TYPE 3600 EDP NO.	PRICE EACH	TYPE 3601 EDP NO.	PRICE EACH
8.7	.3425	87	3 7/16	121	4 3/4	3600087	\$31.30	3601087	\$35.25
8.8	.3465	89	3 1/2	124	4 7/8	3600088	31.30	3601088	35.25
8.9	.3504	89	3 1/2	124	4 7/8	3600089	31.30	3601089	37.55
9.0	.3543	89	3 1/2	124	4 7/8	3600090	30.55	3601090	37.55
9.1	.3583	89	3 1/2	124	4 7/8	3600091	33.90	3601091	37.55
9.2	.3622	92	3 5/8	127	5	3600092	33.90	3601092	37.55
9.3	.3661	92	3 5/8	127	5	3600093	33.90	3601093	37.55
9.4	.3701	92	3 5/8	127	5	3600094	33.90	3601094	37.55
9.5	.3740	92	3 5/8	127	5	3600095	33.25	3601095	37.55
9.6	.3780	95	3 3/4	130	5 1/8	3600096	34.45	3601096	40.90
9.7	.3819	95	3 3/4	130	5 1/8	3600097	34.45	3601097	40.90
9.8	.3858	95	3 3/4	130	5 1/8	3600098	34.45	3601098	40.90
9.9	.3898	95	3 3/4	130	5 1/8	3600099	34.45	3601099	40.90
10.0	.3937	95	3 3/4	130	5 1/8	3600100	34.45	3601100	40.90
10.1	.3976	98	3 7/8	133	5 1/4	3600101	41.05	3601101	42.15
10.2	.4016	98	3 7/8	133	5 1/4	3600102	41.05	3601102	42.15
10.3	.4055	98	3 7/8	133	5 1/4	3600103	41.05	3601103	42.15
10.4	.4094	98	3 7/8	133	5 1/4	3600104	41.05	3601104	44.20
10.5	.4134	98	3 7/8	133	5 1/4	3600105	39.70	3601105	44.20
10.6	.4173	100	3 15/16	137	5 3/8	3600106	44.95	3601106	45.80
10.7	.4213	100	3 15/16	137	5 3/8	3600107	44.95	3601107	45.80
10.8	.4252	103	4 1/16	140	5 1/2	3600108	44.95	3601108	45.80
10.9	.4291	103	4 1/16	140	5 1/2	3600109	44.95	3601109	45.80
11.0	.4331	103	4 1/16	140	5 1/2	3600110	43.05	3601110	44.20
11.1	.4370	103	4 1/16	140	5 1/2	3600111	50.15	3601111	51.00
11.2	.4409	106	4 3/16	143	5 5/8	3600112	50.15	3601112	51.35
11.3	.4449	106	4 3/16	143	5 5/8	3600113	50.15	3601113	51.35
11.4	.4488	106	4 3/16	143	5 5/8	3600114	50.15	3601114	49.85
11.5	.4528	106	4 3/16	143	5 5/8	3600115	48.25	3601115	49.85
11.6	.4567	110	4 5/16	146	5 3/4	3600116	54.70	3601116	55.50
11.7	.4606	110	4 5/16	146	5 3/4	3600117	54.70	3601117	55.50
11.8	.4646	110	4 5/16	146	5 3/4	3600118	54.70	3601118	55.50
11.9	.4685	110	4 5/16	146	5 3/4	3600119	54.70	3601119	55.50
12.0	.4724	111	4 3/8	149	5 7/8	3600120	52.25	3601120	55.80
12.1	.4764	111	4 3/8	149	5 7/8	3600121	56.85	3601121	57.65
12.2	.4803	111	4 3/8	149	5 7/8	3600122	56.85	3601122	57.65
12.3	.4843	111	4 3/8	149	5 7/8	3600123	56.85	3601123	57.65
12.4	.4882	114	4 1/2	152	6	3600124	56.85	3601124	57.65
12.5	.4921	114	4 1/2	152	6	3600125	54.15	3601125	55.80
12.6	.4961	114	4 1/2	152	6	3600126	58.85	3601126	59.60
12.7	.5000	114	4 1/2	152	6	360032	50.00	360132	52.75
12.8	.5039	114	4 1/2	152	6	3600128	64.55	3601128	82.20
12.9	.5079	114	4 1/2	152	6	3600129	64.55	3601129	82.20
13.0	.5118	114	4 1/2	152	6	3600130	64.55	3601130	82.20
13.5	.5315	122	4 13/16	168	6 5/8	3600135	83.55	3601135	90.15
14.0	.5512	122	4 13/16	168	6 5/8	3600140	88.60	3601140	95.55
14.5	.5709	122	4 13/16	168	6 5/8	3600145	95.00	3601145	102.70
15.0	.5906	132	5 3/16	181	7 1/8	3600150	95.00	3601150	102.70
15.5	.6102	132	5 3/16	181	7 1/8	3600155	96.25	3601155	103.95
16.0	.6299	132	5 3/16	181	7 1/8	3600160	98.00	3601160	105.80
16.5	.6496	132	5 3/16	181	7 1/8	3600165	98.00	3601165	105.80
17.0	.6693	143	5 5/8	194	7 5/8	3600170	101.80	3601170	109.95
17.5	.6890	143	5 5/8	194	7 5/8	3600175	101.80	3601175	109.95
18.0	.7087	143	5 5/8	194	7 5/8	3600180	103.00	3601180	111.00
18.5	.7283	143	5 5/8	194	7 5/8	3600185	103.50	3601185	111.75
19.0	.7480	148	5 13/16	203	8	3600190	104.85	3601190	113.30

CARBIDE TIPPED TAPER LENGTH TWIST DRILLS

TYPE 3630 - TAPER LENGTH - 118° POINT
TYPE 3631 - TAPER LENGTH - 135° SPLIT POINT

Carbide tip brazed to hardened tool steel bodies.

Smooth flutes for effective chip flow. Precision ground to ensure concentricity of tip & body. All tools are tanged. For drilling cast iron, non-ferrous metals and non-metals. (Not usually recommended for drilling steel.)

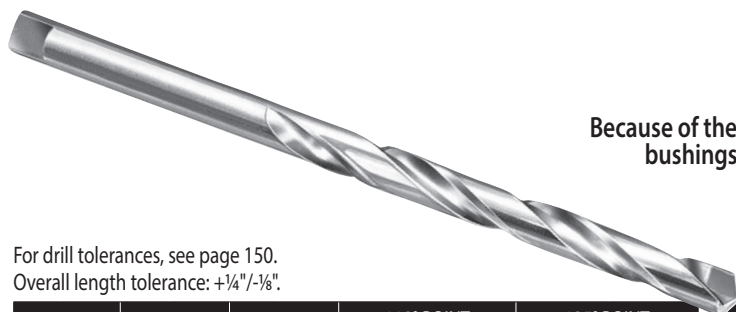


For drill tolerances, see page 150.
 Overall length tolerance: +1/4" / -1/8".

TOOL DIAMETER			LENGTH		118° POINT			135° POINT									
DECIMAL	FRACTION	WIRE LETTER	FLUTE	OVER-ALL	TYPE 3630 EDP NO.	PRICE EACH	TYPE 3631 EDP NO.	PRICE EACH	DECIMAL	FRACTION	WIRE LETTER	FLUTE	OVER-ALL	TYPE 3630 EDP NO.	PRICE EACH	TYPE 3631 EDP NO.	PRICE EACH
.1250	1/8		2 3/4	5 1/8	363008	\$21.45	363108	\$26.65	.3160		O	4 1/8	6 1/2	363415	\$50.90	363515	\$55.00
.1285		30	3	5 3/8	363230	29.90	363330	32.30	.3230		P	4 1/8	6 1/2	363416	50.90	363516	55.00
.1360		29	3	5 3/8	363229	29.90	363329	32.30	.3281	21/64		4 1/8	6 1/2	363021	36.80	363121	47.85
.1405		28	3	5 3/8	363228	29.90	363328	32.30	.3320		Q	4 1/8	6 1/2	363417	50.90	363517	55.00
.1406	9/64		3	5 3/8	363009	24.70	363109	28.10	.3390		R	4 1/8	6 1/2	363418	50.90	363518	55.00
.1440		27	3	5 3/8	363227	29.90	363327	32.30	.3438	11/32		4 1/8	6 1/2	363022	36.80	363122	48.40
.1470		26	3	5 3/8	363226	29.90	363326	32.30	.3480		S	4 1/4	6 3/4	363419	55.65	363519	60.20
.1495		25	3	5 3/8	363225	29.90	363325	32.30	.3580		T	4 1/4	6 3/4	363420	55.65	363520	60.20
.1520		24	3	5 3/8	363224	29.90	363324	32.30	.3594	23/64		4 1/4	6 3/4	363023	41.50	363123	52.40
.1540		23	3	5 3/8	363223	29.90	363323	32.30	.3680		U	4 1/4	6 3/4	363421	55.65	363521	60.20
.1562	5/32		3	5 3/8	363010	22.70	363110	28.10	.3750	3/8		4 1/4	6 3/4	363024	41.50	363124	52.40
.1570		22	3 3/8	5 3/4	363222	31.00	363322	33.55	.3770		V	4 3/8	7	363422	59.65	363522	64.50
.1590		21	3 3/8	5 3/4	363221	31.00	363321	33.55	.3860		W	4 3/8	7	363423	59.65	363523	64.50
.1610		20	3 3/8	5 3/4	363220	31.00	363320	33.55	.3906	25/64		4 3/8	7	363025	44.50	363125	56.15
.1660		19	3 3/8	5 3/4	363219	31.00	363319	33.55	.3970		X	4 3/8	7	363424	59.65	363524	64.50
.1695		18	3 3/8	5 3/4	363218	31.00	363318	33.55	.4040		Y	4 3/8	7	363425	59.65	363525	64.50
.1719	11/64		3 3/8	5 3/4	363011	23.10	363111	29.15	.4062	13/32		4 3/8	7	363026	44.50	363126	56.15
.1730		17	3 3/8	5 3/4	363217	31.00	363317	33.55	.4130		Z	4 3/8	7 1/4	363426	68.70	363526	74.20
.1770		16	3 3/8	5 3/4	363216	31.00	363316	33.55	.4219	27/64		4 3/8	7 1/4	363027	51.35	363127	64.50
.1800		15	3 3/8	5 3/4	363215	31.00	363315	33.55	.4375	7/16		4 3/8	7 1/4	363028	51.35	363128	64.50
.1820		14	3 3/8	5 3/4	363214	31.00	363314	33.55	.4531	29/64		4 3/4	7 1/2	363029	56.55	363129	71.30
.1850		13	3 3/8	5 3/4	363213	31.00	363313	33.55	.4688	15/32		4 3/4	7 1/2	363030	56.55	363130	71.30
.1875	3/16		3 3/8	5 3/4	363012	23.10	363112	29.15	.4844	31/64		4 3/4	7 3/4	363031	59.35	363131	74.70
.1890		12	3 3/8	6	363212	32.70	363312	35.30	.5000	1/2		4 3/4	7 3/4	363032	59.35	363132	74.70
.1910		11	3 3/8	6	363211	32.70	363311	35.30	.5156	33/64		4 3/4	8	363033	66.70	363133	82.60
.1935		10	3 3/8	6	363210	32.70	363310	35.30	.5312	17/32		4 3/4	8	363034	68.20	363134	82.60
.1960		9	3 3/8	6	363209	32.70	363309	35.30	.5469	35/64		4 7/8	8 1/4	363035	68.85	363135	86.80
.1990		8	3 3/8	6	363208	32.70	363308	35.30	.5625	9/16		4 7/8	8 1/4	363036	68.85	363136	86.80
.2010		7	3 3/8	6	363207	32.70	363307	35.30	.5781	37/64		4 7/8	8 3/4	363037	72.55	363137	91.80
.2031	13/64		3 3/8	6	363013	24.40	363113	30.70	.5938	19/32		4 7/8	8 3/4	363038	73.90	363138	91.80
.2040		6	3 3/8	6	363206	32.70	363306	35.30	.6094	39/64		4 7/8	8 3/4	363039	83.75	363139	105.60
.2055		5	3 3/8	6	363205	32.70	363305	35.30	.6250	5/8		4 7/8	8 3/4	363040	83.75	363140	105.60
.2090		4	3 3/8	6	363204	32.70	363304	35.30	.6406	41/64		5 1/8	9	363041	86.90	363141	107.50
.2130		3	3 3/8	6	363203	32.70	363303	35.30	.6562	21/32		5 1/8	9	363042	85.40	363142	102.70
.2188	7/32		3 3/8	6	363014	24.40	363114	30.70	.6719	43/64		5 3/8	9 1/4	363043	89.85	363143	108.70
.2210		2	3 3/4	6 1/8	363202	37.05	363302	40.05	.6875	11/16		5 3/8	9 1/4	363044	86.80	363144	108.70
.2280		1	3 3/4	6 1/8	363201	37.05	363301	40.05	.7031	45/64		5 3/8	9 1/2	363045	87.70	363145	110.65
.2340		A	3 3/4	6 1/8	363401	37.05	363501	40.05	.7188	23/32		5 3/8	9 1/2	363046	88.60	363146	111.75
.2344	15/64		3 3/4	6 1/8	363015	27.70	363115	34.75	.7344	47/64		5 7/8	9 3/4	363047	89.10	363147	112.40
.2380		B	3 3/4	6 1/8	363402	37.05	363502	40.05	.7500	3/4		5 7/8	9 3/4	363048	90.50	363148	114.05
.2420		C	3 3/4	6 1/8	363403	37.05	363503	40.05	.7656	49/64		6	9 7/8	363049	115.00	363149	124.20
.2460		D	3 3/4	6 1/8	363404	37.05	363504	40.05	.7812	25/32		6	9 7/8	363050	115.00	363150	124.20
.2500	1/4		3 3/4	6 1/8	363016	27.70	363116	34.75	.7969	51/64		6 1/8	10	363051	115.45	363151	124.75
.2570		F	3 3/4	6 1/4	363406	41.40	363506	44.80	.8125	13/16		6 1/8	10	363052	104.35	363152	124.75
.2610		G	3 3/4	6 1/4	363407	41.40	363507	44.80	.8281	53/64		6 1/8	10	363053	115.45	363153	124.75
.2656	17/64		3 3/4	6 1/4	363017	31.00	363117	38.95	.8438	27/32		6 1/8	10	363054	115.45	363154	124.75
.2660		H	3 3/4	6 1/4	363408	41.40	363508	44.80	.8594	55/64		6 1/8	10	363055	122.20	363155	132.00
.2720		I	3 3/4	6 1/4	363409	41.40	363509	44.80	.8750	7/8		6 1/8	10	363056	110.45	363156	132.00
.2770		J	3 3/4	6 1/4	363410	41.40	363510	44.80	.8906	57/64		6 1/8	10	363057	126.35	363157	136.55
.2810		K	3 3/4	6 1/4	363411	41.40	363511	44.80	.9062	29/32		6 1/8	10	363058	126.35	363158	136.55
.2812	9/32		3 3/4	6 1/4	363018	31.00	363118	38.95	.9219	59/64		6 1/8	10 3/4	363059	128.20	363159	138.55
.2900		L	4	6 3/8	363412	44.90	363512	48.40	.9375	15/16		6 1/8	10 3/4	363060	115.95	363160	138.55
.2950		M	4	6 3/8	363413	44.90	363513	48.40	.9531	61/64		6 3/8	11	363061	134.30	363161	145.00
.2969	19/64		4	6 3/8	363019	33.40	363119	42.05	.9688	31/32		6 3/8	11	363062	134.30	363162	145.00
.3020		N	4	6 3/8	363414	44.90	363514	48.40	.9844	63/64		6 3/8	11	363063	138.55	363163	149.50
.3125	5/16		4	6 3/8	363020	33.40	363120	42.05	1.0000	1		6 3/8	11	363064	122.90	363164	149.50

CARBIDE TIPPED TAPER LENGTH TWIST DRILLS

METRIC



TYPE 3630 - TAPER LENGTH - 118° POINT
TYPE 3631 - TAPER LENGTH - 135° SPLIT POINT

Because of the greater length, it increases the drill reach through drill bushings. Detailed description and fractional sizes on page 132.
 (Not usually recommended for steel.)

For drill tolerances, see page 150.
 Overall length tolerance: +1/4" / -1/8"

TOOL DIAMETER		FLUTE LENGTH		OVERALL LENGTH		118° POINT		135° POINT		TOOL DIAMETER		FLUTE LENGTH		OVERALL LENGTH		118° POINT		135° POINT	
mm	INCH	mm	INCH	mm	INCH	TYPE 3630 EDP NO.	PRICE EACH	TYPE 3631 EDP NO.	PRICE EACH	mm	INCH	mm	INCH	mm	INCH	TYPE 3630 EDP NO.	PRICE EACH	TYPE 3631 EDP NO.	PRICE EACH
3.2	.1260	76	3	137	5 3/8	3630032	\$27.60	3631032	\$29.75	8.6	.3386	105	4 1/8	165	6 1/2	3630086	\$45.10	3631086	\$48.70
3.3	.1299	76	3	137	5 3/8	3630033	27.60	3631033	29.75	8.7	.3425	105	4 1/8	165	6 1/2	3630087	45.10	3631087	48.70
3.4	.1339	76	3	137	5 3/8	3630034	27.60	3631034	29.75	8.8	.3465	108	4 1/4	171	6 3/4	3630088	45.10	3631088	48.70
3.5	.1378	76	3	137	5 3/8	3630035	26.70	3631035	29.10	8.9	.3504	108	4 1/4	171	6 3/4	3630089	45.10	3631089	48.70
3.6	.1417	76	3	137	5 3/8	3630036	26.70	3631036	29.10	9.0	.3543	108	4 1/4	171	6 3/4	3630090	42.20	3631090	53.40
3.7	.1457	76	3	137	5 3/8	3630037	26.70	3631037	29.10	9.1	.3583	108	4 1/4	171	6 3/4	3630091	49.40	3631091	53.40
3.8	.1496	76	3	137	5 3/8	3630038	26.70	3631038	29.10	9.2	.3622	108	4 1/4	171	6 3/4	3630092	49.40	3631092	53.40
3.9	.1535	76	3	137	5 3/8	3630039	26.70	3631039	29.10	9.3	.3661	108	4 1/4	171	6 3/4	3630093	49.40	3631093	53.40
4.0	.1575	86	3 3/8	146	5 3/4	3630040	26.20	3631040	28.35	9.4	.3701	108	4 1/4	171	6 3/4	3630094	49.40	3631094	53.40
4.1	.1614	86	3 3/8	146	5 3/4	3630041	27.60	3631041	29.75	9.5	.3740	108	4 1/4	171	6 3/4	3630095	43.25	3631095	53.40
4.2	.1654	86	3 3/8	146	5 3/4	3630042	27.60	3631042	29.75	9.6	.3780	111	4 3/8	178	7	3630096	51.85	3631096	56.00
4.3	.1693	86	3 3/8	146	5 3/4	3630043	27.60	3631043	29.75	9.7	.3819	111	4 3/8	178	7	3630097	51.85	3631097	56.00
4.4	.1732	86	3 3/8	146	5 3/4	3630044	29.10	3631044	31.30	9.8	.3858	111	4 3/8	178	7	3630098	51.85	3631098	56.00
4.5	.1772	86	3 3/8	146	5 3/4	3630045	29.10	3631045	31.30	9.9	.3898	111	4 3/8	178	7	3630099	51.85	3631099	56.00
4.6	.1811	86	3 3/8	146	5 3/4	3630046	29.10	3631046	31.30	10.0	.3937	111	4 3/8	178	7	3630100	45.40	3631100	57.35
4.7	.1850	86	3 3/8	146	5 3/4	363213	31.00	363313	33.55	10.1	.3976	111	4 3/8	178	7	3630101	53.05	3631101	57.35
4.8	.1890	92	3 5/8	152	6	363212	32.70	363312	35.30	10.2	.4016	111	4 3/8	178	7	3630102	55.35	3631102	59.80
4.9	.1929	92	3 5/8	152	6	3630049	29.10	3631049	31.30	10.3	.4055	111	4 3/8	178	7	3630103	55.35	3631103	59.80
5.0	.1969	92	3 5/8	152	6	3630050	29.00	3631050	31.30	10.4	.4094	117	4 5/8	184	7 1/4	3630104	57.80	3631104	62.35
5.1	.2008	92	3 5/8	152	6	3630051	30.20	3631051	32.65	10.5	.4134	117	4 5/8	184	7 1/4	3630105	51.70	3631105	62.35
5.2	.2047	92	3 5/8	152	6	3630052	25.90	3631052	32.65	10.6	.4173	117	4 5/8	184	7 1/4	3630106	60.55	3631106	65.45
5.3	.2087	92	3 5/8	152	6	3630053	30.20	3631053	32.65	10.7	.4213	117	4 5/8	184	7 1/4	3630107	60.55	3631107	65.45
5.4	.2126	92	3 5/8	152	6	3630054	30.20	3631054	32.65	10.8	.4252	117	4 5/8	184	7 1/4	3630108	60.55	3631108	65.45
5.5	.2165	92	3 5/8	152	6	3630055	30.95	3631055	32.65	10.9	.4291	117	4 5/8	184	7 1/4	3630109	60.55	3631109	65.45
5.6	.2205	95	3 3/4	156	6 1/8	3630056	30.20	3631056	32.65	11.0	.4331	117	4 5/8	184	7 1/4	3630110	55.95	3631110	65.75
5.7	.2244	95	3 3/4	156	6 1/8	3630057	30.20	3631057	32.65	11.5	.4528	121	4 3/4	190	7 1/2	3630115	62.75	3631115	72.70
5.8	.2283	95	3 3/4	156	6 1/8	3630058	30.20	3631058	32.65	12.0	.4724	121	4 3/4	197	7 3/4	3630120	67.90	3631120	76.20
5.9	.2323	95	3 3/4	156	6 1/8	3630059	31.45	3631059	34.05	12.5	.4921	121	4 3/4	197	7 3/4	3630125	70.35	3631125	76.20
6.0	.2362	95	3 3/4	156	6 1/8	3630060	32.05	3631060	35.40	13.0	.5118	121	4 3/4	203	8	3630130	72.10	3631130	80.45
6.1	.2402	95	3 3/4	156	6 1/8	3630061	33.55	3631061	36.15	13.5	.5315	121	4 3/4	203	8	3630135	76.55	3631135	80.45
6.2	.2441	95	3 3/4	156	6 1/8	3630062	33.55	3631062	36.15	14.0	.5512	124	4 7/8	210	8 1/4	3630140	81.30	3631140	89.10
6.3	.2480	95	3 3/4	156	6 1/8	3630063	33.55	3631063	36.15	14.5	.5709	124	4 7/8	222	8 3/4	3630145	87.25	3631145	95.40
6.4	.2520	98	3 7/8	159	6 1/4	3630064	36.80	3631064	39.75	15.0	.5906	124	4 7/8	222	8 3/4	3630150	87.25	3631150	95.40
6.5	.2559	98	3 7/8	159	6 1/4	3630065	33.25	3631065	39.75	15.5	.6102	124	4 7/8	222	8 3/4	3630155	98.90	3631155	108.40
6.6	.2598	98	3 7/8	159	6 1/4	3630066	37.90	3631066	40.80	16.0	.6299	130	5 1/8	229	9	3630160	98.90	3631160	109.00
6.7	.2638	98	3 7/8	159	6 1/4	3630067	37.90	3631067	40.80	16.5	.6496	130	5 1/8	229	9	3630165	105.65	3631165	109.00
6.8	.2677	98	3 7/8	159	6 1/4	3630068	37.90	3631068	40.80	17.0	.6693	137	5 3/8	235	9 1/4	3630170	102.45	3631170	112.40
6.9	.2717	98	3 7/8	159	6 1/4	3630069	37.90	3631069	40.80	17.5	.6890	143	5 5/8	241	9 1/2	3630175	102.45	3631175	112.40
7.0	.2756	98	3 7/8	159	6 1/4	3630070	34.65	3631070	39.75	18.0	.7087	143	5 5/8	241	9 1/2	3630180	104.70	3631180	114.65
7.1	.2795	98	3 7/8	159	6 1/4	3630071	37.90	3631071	40.80	18.5	.7283	149	5 7/8	248	9 3/4	3630185	107.00	3631185	117.00
7.2	.2835	102	4	162	6 3/8	3630072	37.90	3631072	40.80	19.0	.7480	149	5 7/8	248	9 3/4	3630190	107.00	3631190	117.00
7.3	.2874	102	4	162	6 3/8	3630073	37.90	3631073	40.80	19.5	.7677	152	6	251	9 7/8	3630195	129.05	3631195	139.25
7.4	.2913	102	4	162	6 3/8	3630074	37.90	3631074	40.80	20.0	.7874	156	6 1/8	254	10	3630200	129.55	3631200	139.95
7.5	.2953	102	4	162	6 3/8	3630075	36.75	3631075	42.95	20.5	.8071	156	6 1/8	254	10	3630205	129.55	3631205	139.95
7.6	.2992	102	4	162	6 3/8	3630076	39.75	3631076	42.95	21.0	.8268	156	6 1/8	254	10	3630210	129.55	3631210	139.95
7.7	.3031	102	4	162	6 3/8	3630077	39.75	3631077	42.95	21.5	.8465	156	6 1/8	254	10	3630215	129.55	3631215	139.95
7.8	.3071	102	4	162	6 3/8	3630078	39.75	3631078	42.95	22.0	.8661	156	6 1/8	254	10	3630220	137.10	3631220	148.05
7.9	.3110	102	4	162	6 3/8	3630079	39.75	3631079	42.95	22.5	.8858	156	6 1/8	254	10	3630225	141.85	3631225	153.15
8.0	.3150	105	4 1/8	165	6 1/2	3630080	37.25	3631080	42.95	23.0	.9055	156	6 1/8	254	10	3630230	141.85	3631230	153.15
8.1	.3189	105	4 1/8	165	6 1/2	3630081	39.75	3631081	42.95	23.5	.9252	156	6 1/8	273	10 3/4	3630235	143.85	3631235	155.35
8.2	.3228	105	4 1/8	165	6 1/2	3630082	42.35	3631082	45.65	24.0	.9449	162	6 3/8	279	11	3630240	150.65	3631240	162.70
8.3	.3268	105	4 1/8	165	6 1/2	3630083	42.35	3631083	45.65	24.5	.9646	162	6 3/8	279	11	3630245	150.65	3631245	162.70
8.4	.3307	105	4 1/8	165	6 1/2	3630084	42.35	3631084	45.65	25.0	.9843	162	6 3/8	279	11	3630250	155.35	3631250	167.85
8.5	.3346	105	4 1/8	165	6 1/2	3630085	39.05	3631085	48.70	-	-	-	-	-	-	-	-	-	-

CARBIDE TIPPED STUB LENGTH TWIST DRILLS

TYPE 3640 - STUB LENGTH - 118° POINT
TYPE 3641 - STUB LENGTH - 135° SPLIT POINT

Carbide tip brazed to hardened tool steel bodies.

Smooth flutes for effective chip flow. Precision ground to ensure concentricity of tip & body. For drilling cast iron, non-ferrous metals and non-metals. Excellent starting drill. Ideal for exact location shallow drilling. (Not usually recommended for drilling steel.)
 For drill tolerances, see page 150.



TOOL DIAMETER			LENGTH		118° POINT		135° POINT		
DECIMAL	FRACTION	WIRE LETTER	FLUTE	OVER-ALL	TYPE 3640 EDP NO.	PRICE EACH	TYPE 3641 EDP NO.	PRICE EACH	
.1160		32	7/8	1 7/8	364232	\$24.05	364332	\$26.65	
.1200		31	7/8	1 7/8	364231	24.05	364331	26.65	
.1250	1/8		7/8	1 7/8	364008	17.95	364108	19.45	
.1285		30	15/16	1 15/16	364230	25.40	364330	27.95	
.1360		29	15/16	1 15/16	364229	25.40	364329	27.95	
.1405		28	15/16	1 15/16	364228	25.40	364328	27.95	
.1406	9/64		15/16	1 15/16	364009	21.75	364109	25.60	
.1440		27	1	2 1/16	364227	25.40	364327	27.95	
.1470		26	1	2 1/16	364226	25.40	364326	27.95	
.1495		25	1	2 1/16	364225	25.40	364325	27.95	
.1520		24	1	2 1/16	364224	25.40	364324	27.95	
.1540		23	1	2 1/16	364223	25.40	364323	27.95	
.1562	5/32		1	2 1/16	364010	19.05	364110	20.70	
.1570		22	1 1/16	2 1/8	364222	25.40	364322	27.95	
.1590		21	1 1/16	2 1/8	364221	25.40	364321	27.95	
.1610		20	1 1/16	2 1/8	364220	29.45	364320	32.80	
.1660		19	1 1/16	2 1/8	364219	29.45	364319	32.80	
.1695		18	1 1/16	2 1/8	364218	29.45	364318	32.80	
.1719	11/64		1 1/16	2 1/8	364011	25.90	364111	27.80	
.1730		17	1 1/8	2 3/16	364217	30.15	364317	33.40	
.1770		16	1 1/8	2 3/16	364216	30.15	364316	33.40	
.1800		15	1 1/8	2 3/16	364215	30.15	364315	33.40	
.1820		14	1 1/8	2 3/16	364214	30.15	364314	33.40	
.1850		13	1 1/8	2 3/16	364213	30.15	364313	33.40	
.1875	3/16		1 1/8	2 3/16	364012	20.05	364112	21.95	
.1890		12	1 3/16	2 1/4	364212	29.90	364312	33.10	
.1910		11	1 3/16	2 1/4	364211	29.90	364311	33.10	
.1935		10	1 3/16	2 1/4	364210	29.90	364310	33.10	
.1960		9	1 3/16	2 1/4	364209	29.90	364309	33.10	
.1990		8	1 3/16	2 1/4	364208	29.90	364308	33.10	
.2010		7	1 3/16	2 1/4	364207	26.25	364307	31.55	
.2031	13/64		1 3/16	2 1/4	364013	25.90	364113	27.80	
.2040		6	1 1/4	2 3/8	364206	30.15	364306	33.40	
.2055		5	1 1/4	2 3/8	364205	30.15	364305	33.40	
.2090		4	1 1/4	2 3/8	364204	30.15	364304	33.40	
.2130		3	1 1/4	2 3/8	364203	26.25	364303	31.55	
.2188	7/32		1 1/4	2 3/8	364014	21.50	364114	23.90	
.2210		2	1 5/16	2 7/16	364202	29.90	364302	33.10	
.2280		1	1 5/16	2 7/16	364201	26.25	364301	33.10	
.2340		A	1 5/16	2 7/16	364401	29.90	364501	33.10	
.2344	15/64		1 5/16	2 7/16	364015	23.90	364115	28.50	
.2380		B	1 3/8	2 1/2	364402	29.90	364502	33.10	
.2420		C	1 3/8	2 1/2	364403	29.90	364503	33.10	
.2460		D	1 3/8	2 1/2	364404	26.25	364504	31.55	
.2500	1/4		E	1 3/8	2 1/2	364016	21.90	364116	25.30
.2570		F	1 7/16	2 5/8	364406	30.50	364506	36.65	
.2610		G	1 7/16	2 5/8	364407	30.50	364507	36.65	
.2656	17/64		1 7/16	2 5/8	364017	26.65	364117	31.60	
.2660		H	1 1/2	2 11/16	364408	29.55	364508	38.35	
.2720		I	1 1/2	2 11/16	364409	30.50	364509	36.65	
.2770		J	1 1/2	2 11/16	364410	34.50	364510	38.35	
.2810		K	1 1/2	2 11/16	364411	34.50	364511	38.35	
.2812	9/32		1 1/2	2 11/16	364018	25.25	364118	29.30	
.2900		L	1 5/8	2 3/4	364412	35.60	364512	39.45	
.2950		M	1 5/8	2 3/4	364413	35.60	364513	39.45	
.2969	19/64		1 5/8	2 3/4	364019	30.50	364119	36.20	
.3020		N	1 5/8	2 13/16	364414	40.80	364514	45.40	
.3125	5/16		1 5/8	2 13/16	364020	26.80	364120	31.25	
.3160		O	1 11/16	2 15/16	364415	37.60	364515	45.35	
.3230		P	1 11/16	2 15/16	364416	42.65	364516	47.50	
.3281	21/64		1 11/16	2 15/16	364021	33.10	364121	38.50	

TOOL DIAMETER			LENGTH		118° POINT		135° POINT	
DECIMAL	FRACTION	WIRE LETTER	FLUTE	OVER-ALL	TYPE 3640 EDP NO.	PRICE EACH	TYPE 3641 EDP NO.	PRICE EACH
.3320		Q	1 11/16	3	364417	\$37.60	364517	\$45.35
.3390		R	1 11/16	3	364418	37.60	364518	45.35
.3438	11/32		1 11/16	3	364022	31.30	364122	36.20
.3480		S	1 3/4	3 1/16	364419	43.20	364519	48.00
.3580		T	1 3/4	3 1/16	364420	43.20	364520	48.00
.3594	23/64		1 3/4	3 1/16	364023	34.15	364123	39.75
.3680		U	1 13/16	3 1/8	364421	38.65	364521	46.45
.3750	3/8		1 13/16	3 1/8	364024	32.05	364124	37.15
.3770		V	1 7/8	3 1/4	364422	49.80	364522	55.20
.3860		W	1 7/8	3 1/4	364423	43.95	364523	52.85
.3906	25/64		1 7/8	3 1/4	364025	38.00	364125	44.15
.3970		X	1 15/16	3 5/16	364424	43.95	364524	55.20
.4040		Y	1 15/16	3 5/16	364425	49.80	364525	55.20
.4062	13/32		1 15/16	3 5/16	364026	38.00	364126	44.15
.4130		Z	2	3 3/8	364426	56.55	364526	62.90
.4219	27/64		2	3 3/8	364027	42.15	364127	48.00
.4375	7/16		2 1/16	3 7/16	364028	40.65	364128	45.10
.4531	29/64		2 1/8	3 9/16	364029	54.15	364129	69.60
.4688	15/32		2 1/8	3 5/8	364030	57.80	364130	67.25
.4844	31/64		2 3/16	3 11/16	364031	51.85	364131	66.65
.5000	1/2		2 1/4	3 3/4	364032	55.35	364132	64.35
.5156	29/64		2 3/8	3 7/8	364033	82.60	364133	91.95
.5312	17/32		2 3/8	3 7/8	364034	68.95	364134	77.85
.5469	35/64		2 1/2	4	364035	82.60	364135	91.95
.5625	9/16		2 1/2	4	364036	68.95	364136	77.85
.5781	37/64		2 5/8	4 1/8	364037	96.45	364137	107.20
.5938	19/32		2 5/8	4 1/8	364038	79.10	364138	89.20
.6094	39/64		2 3/4	4 1/4	364039	96.45	364139	107.20
.6250	5/8		2 3/4	4 1/4	364040	79.10	364140	89.20
.6406	41/64		2 7/8	4 1/2	364041	115.10	364141	128.05
.6562	21/32		2 7/8	4 1/2	364042	95.05	364142	107.30
.6719	43/64		2 7/8	4 5/8	364043	118.05	364143	131.25
.6875	11/16		2 7/8	4 5/8	364044	97.65	364144	110.10
.7031	45/64		3	4 3/4	364045	133.40	364145	148.25
.7188	23/32		3	4 3/4	364046	110.65	364146	128.45
.7344	47/64		3 1/8	5	364047	133.55	364147	148.60
.7500	3/4		3 1/8	5	364048	110.95	364148	124.95
.7656	49/64		3 1/4	5 1/8	364049	142.90	364149	159.00
.7812	25/32		3 1/4	5 1/8	364050	137.05	364150	159.10
.7969	51/64		3 3/8	5 1/4	364051	160.00	364151	177.95
.8125	13/16		3 3/8	5 1/4	364052	137.20	364152	154.70
.8281	53/64		3 1/2	5 3/8	364053	156.70	364153	174.20
.8438	27/32		3 1/2	5 3/8	364054	150.20	364154	174.45
.8594	55/64		3 1/2	5 1/2	364055	175.50	364155	195.20
.8750	7/8		3 1/2	5 1/2	364056	150.50	364156	169.60
.8906	57/64		3 5/8	5 3/8	364057	168.35	364157	187.20
.9062	29/32		3 5/8	5 3/8	364058	161.40	364158	187.30
.9219	59/64		3 3/4	5 3/4	364059	188.40	364159	209.60
.9375	15/16		3 3/4	5 3/4	364060	161.55	364160	182.25
.9531	61/64		3 7/8	5 7/8	364061	188.40	364161	209.60
.9688	31/32		3 7/8	5 7/8	364062	170.45	364162	197.95
.9844	63/64		4	6	364063	199.10	364163	221.55
1.0000	1		4	6	364064	170.75	364164	192.60
1.0312	1 1/32*		4	6 1/4	364066	249.45	364166	277.45
1.0625	1 1/16*		4	6 1/4	364068	213.85	364168	241.20
1.0938	1 3/32*		4	6 3/8	364070	276.85	364170	308.00
1.1250	1 1/8*		4	6 3/8	364072	237.45	364172	267.65
1.1562	1 5/32*		4 1/4	6 3/8	364074	337.90	364174	375.95
1.1875	1 3/16*		4 1/4	6 3/8	364076	289.85	364176	324.75
1.2188	1 7/32*		4 3/8	6 3/4	364078	337.90	364178	375.95
1.2500	1 1/4*		4 3/8	6 3/4	364080	289.85	364180	324.75

LEXINGTON CUTTER, INC. • sales@lexingtoncutter.com • Phone 800-882-2627 • Fax 800-882-3637

CARBIDE TIPPED STUB LENGTH TWIST DRILLS

METRIC

TYPE 3640 - STUB LENGTH - 118° POINT
TYPE 3641 - STUB LENGTH - 135° SPLIT POINT

Detailed description and fractional sizes on page 134.



For drill tolerances, see page 150.

TOOL DIAMETER		FLUTE LENGTH		OVERALL LENGTH		118° POINT		135° POINT	
mm	INCH	mm	INCH	mm	INCH	TYPE 3640 EDP NO.	PRICE EACH	TYPE 3641 EDP NO.	PRICE EACH
3.0	.1181	22	7/8	48	1 7/8	3640030	\$26.10	3641030	\$28.80
3.1	.1220	22	7/8	48	1 7/8	3640031	26.10	3641031	28.80
3.2	.1260	24	15/16	49	1 15/16	3640032	26.10	3641032	28.80
3.3	.1299	24	15/16	49	1 15/16	3640033	26.10	3641033	28.80
3.4	.1339	24	15/16	49	1 15/16	3640034	26.10	3641034	28.80
3.5	.1378	24	15/16	49	1 15/16	3640035	22.35	3641035	25.60
3.6	.1417	25	1	52	2 1/16	3640036	26.10	3641036	28.80
3.7	.1457	25	1	52	2 1/16	3640037	26.10	3641037	28.80
3.8	.1496	25	1	52	2 1/16	3640038	26.10	3641038	28.80
3.9	.1535	25	1	52	2 1/16	3640039	26.10	3641039	28.80
4.0	.1575	27	1 1/16	54	2 1/8	3640040	22.35	3641040	25.65
4.1	.1614	27	1 1/16	54	2 1/8	3640041	31.15	3641041	34.30
4.2	.1654	27	1 1/16	54	2 1/8	3640042	31.15	3641042	34.30
4.3	.1693	27	1 1/16	54	2 1/8	3640043	31.15	3641043	34.30
4.4	.1732	29	1 1/8	56	2 3/16	3640044	31.15	3641044	34.30
4.5	.1772	29	1 1/8	56	2 3/16	3640045	26.65	3641045	30.55
4.6	.1811	29	1 1/8	56	2 3/16	3640046	31.15	3641046	34.30
4.7	.1850	29	1 1/8	56	2 3/16	364213	30.15	364313	33.40
4.8	.1890	30	1 3/16	57	2 1/4	364212	29.90	364312	33.10
4.9	.1929	30	1 3/16	57	2 1/4	3640049	31.15	3641049	34.30
5.0	.1969	30	1 3/16	57	2 1/4	3640050	26.65	3641050	30.55
5.1	.2008	30	1 3/16	57	2 1/4	3640051	31.15	3641051	34.30
5.2	.2047	32	1 1/4	60	2 3/8	3640052	31.15	3641052	34.30
5.3	.2087	32	1 1/4	60	2 3/8	3640053	31.15	3641053	34.30
5.4	.2126	32	1 1/4	60	2 3/8	3640054	31.15	3641054	34.30
5.5	.2165	32	1 1/4	60	2 3/8	3640055	26.65	3641055	30.55
5.6	.2205	33	1 5/16	62	2 7/16	3640056	31.15	3641056	34.30
5.7	.2244	33	1 5/16	62	2 7/16	3640057	31.15	3641057	34.30
5.8	.2283	33	1 5/16	62	2 7/16	3640058	31.15	3641058	34.30
5.9	.2323	33	1 5/16	62	2 7/16	3640059	31.15	3641059	34.30
6.0	.2362	35	1 3/8	64	2 1/2	3640060	24.95	3641060	28.50
6.1	.2402	35	1 3/8	64	2 1/2	3640061	32.15	3641061	35.60
6.2	.2441	35	1 3/8	64	2 1/2	3640062	32.15	3641062	35.60
6.3	.2480	35	1 3/8	64	2 1/2	3640063	32.15	3641063	35.60
6.4	.2520	37	1 7/16	67	2 5/8	3640064	32.15	3641064	35.60
6.5	.2559	37	1 7/16	67	2 5/8	3640065	27.60	3641065	31.60
6.6	.2598	37	1 7/16	67	2 5/8	3640066	32.15	3641066	35.60
6.7	.2638	37	1 7/16	67	2 5/8	3640067	32.15	3641067	35.60
6.8	.2677	38	1 1/2	68	2 11/16	3640068	32.15	3641068	35.60
6.9	.2717	38	1 1/2	68	2 11/16	3640069	32.15	3641069	35.60
7.0	.2756	38	1 1/2	68	2 11/16	3640070	27.60	3641070	31.60
7.1	.2795	38	1 1/2	68	2 11/16	3640071	32.15	3641071	35.60
7.2	.2835	40	1 9/16	70	2 3/4	3640072	36.95	3641072	40.75
7.3	.2874	40	1 9/16	70	2 3/4	3640073	36.95	3641073	40.75
7.4	.2913	40	1 9/16	70	2 3/4	3640074	36.95	3641074	40.75
7.5	.2953	40	1 9/16	70	2 3/4	3640075	31.70	3641075	36.20
7.6	.2992	41	1 5/8	71	2 13/16	3640076	36.95	3641076	40.75
7.7	.3031	41	1 5/8	71	2 13/16	3640077	36.95	3641077	40.75
7.8	.3071	41	1 5/8	71	2 13/16	3640078	36.95	3641078	40.75
7.9	.3110	41	1 5/8	71	2 13/16	3640079	36.95	3641079	40.75
8.0	.3150	43	1 11/16	75	2 15/16	3640080	31.70	3641080	36.20

TOOL DIAMETER		FLUTE LENGTH		OVERALL LENGTH		118° POINT		135° POINT	
mm	INCH	mm	INCH	mm	INCH	TYPE 3640 EDP NO.	PRICE EACH	TYPE 3641 EDP NO.	PRICE EACH
8.1	.3189	43	1 11/16	75	2 15/16	3640081	\$39.75	3641081	\$43.55
8.2	.3228	43	1 11/16	75	2 15/16	3640082	39.75	3641082	43.55
8.3	.3268	43	1 11/16	75	2 15/16	3640083	39.75	3641083	43.55
8.4	.3307	43	1 11/16	76	3	3640084	39.75	3641084	43.55
8.5	.3346	43	1 11/16	76	3	3640085	34.05	3641085	38.50
8.6	.3386	43	1 11/16	76	3	3640086	39.75	3641086	43.55
8.7	.3425	43	1 11/16	76	3	3640087	40.35	3641087	44.50
8.8	.3465	44	1 3/4	78	3 1/16	3640088	40.35	3641088	44.50
8.9	.3504	44	1 3/4	78	3 1/16	3640089	40.35	3641089	44.50
9.0	.3543	44	1 3/4	78	3 1/16	3640090	34.65	3641090	39.75
9.1	.3583	44	1 3/4	78	3 1/16	3640091	40.35	3641091	44.50
9.2	.3622	46	1 13/16	79	3 1/8	3640092	40.35	3641092	44.50
9.3	.3661	46	1 13/16	79	3 1/8	3640093	40.35	3641093	44.50
9.4	.3701	46	1 13/16	79	3 1/8	3640094	40.35	3641094	44.50
9.5	.3740	46	1 13/16	79	3 1/8	3640095	34.65	3641095	39.75
9.6	.3780	48	1 7/8	83	3 1/4	3640096	44.95	3641096	49.55
9.7	.3819	48	1 7/8	83	3 1/4	3640097	44.95	3641097	49.55
9.8	.3858	48	1 7/8	83	3 1/4	3640098	44.95	3641098	49.55
9.9	.3898	48	1 7/8	83	3 1/4	3640099	44.95	3641099	49.55
10.0	.3937	49	1 15/16	84	3 3/16	3640100	38.60	3641100	44.15
10.5	.4134	51	2	86	3 3/8	3640105	43.10	3641105	48.00
11.0	.4331	52	2 1/16	87	3 7/16	3640110	43.10	3641110	48.00
11.5	.4528	54	2 1/8	90	3 9/16	3640115	60.70	3641115	67.25
12.0	.4724	56	2 3/16	94	3 11/16	3640120	58.00	3641120	64.35
12.5	.4921	57	2 1/4	95	3 3/4	3640125	58.00	3641125	64.35
13.0	.5118	60	2 3/8	98	3 7/8	3640130	71.70	3641130	77.85
13.5	.5315	60	2 3/8	98	3 7/8	3640135	70.35	3641135	77.85
14.0	.5512	64	2 1/2	102	4	3640140	70.35	3641140	77.85
14.5	.5709	67	2 5/8	105	4 1/8	3640145	99.05	3641145	109.15
15.0	.5906	67	2 5/8	105	4 1/8	3640150	99.05	3641150	109.15
15.5	.6102	70	2 3/4	108	4 1/4	3640155	111.65	3641155	123.10
16.0	.6299	73	2 7/8	114	4 1/2	3640160	125.85	3641160	138.75
16.5	.6496	73	2 7/8	114	4 1/2	3640165	125.85	3641165	138.75
17.0	.6693	73	2 7/8	117	4 5/8	3640170	125.85	3641170	138.75
17.5	.6890	76	3	121	4 3/4	3640175	138.85	3641175	152.95
18.0	.7087	76	3	121	4 3/4	3640180	138.85	3641180	152.95
18.5	.7283	79	3 1/8	127	5	3640185	151.65	3641185	167.15
19.0	.7480	79	3 1/8	127	5	3640190	151.65	3641190	167.15
19.5	.7677	83	3 1/4	130	5 1/8	3640195	167.70	3641195	184.90
20.0	.7874	86	3 3/8	133	5 1/4	3640200	187.60	3641200	206.55
20.5	.8071	86	3 3/8	133	5 1/4	3640205	187.60	3641205	206.55
21.0	.8268	89	3 1/2	137	5 3/8	3640210	205.90	3641210	226.85
21.5	.8465	89	3 1/2	140	5 1/2	3640215	205.90	3641215	226.85
22.0	.8661	89	3 1/2	140	5 1/2	3640220	205.90	3641220	226.85
22.5	.8858	92	3 5/8	143	5 3/8	3640225	211.90	3641225	233.35
23.0	.9055	92	3 5/8	143	5 3/8	3640230	211.90	3641230	233.35
23.5	.9252	95	3 3/4	146	5 3/4	3640235	217.10	3641235	239.15
24.0	.9449	98	3 7/8	149	5 7/8	3640240	221.10	3641240	243.75
24.5	.9646	98	3 7/8	149	5 7/8	3640245	221.10	3641245	243.75
25.0	.9843	102	4	152	6	3640250	233.60	3641250	257.10

CARBIDE TIPPED TAPER SHANK TWIST DRILLS

TYPE 3660 - TAPER SHANK - 118° POINT TYPE 3661 - TAPER SHANK - 135° SPLIT POINT

Carbide tip brazed to hardened tool steel bodies. Smooth flutes for effective chip flow. Precision ground to ensure concentricity of tip & body. For drilling cast iron, non-ferrous metals and non-metals. (Not usually recommended for drilling steel.)



For drill tolerances, see page 150.

TOOL DIAMETER		MORSE TAPER	LENGTH		118° POINT		135° POINT	
DECIMAL	FRACTIONAL		FLUTE	OVER-ALL	TYPE 3660 EDP NO.	PRICE EACH	TYPE 3661 EDP NO.	PRICE EACH
.2500	1/4	1	2 7/8	6 1/8	366016	\$53.85	366116	\$61.15
.2656	17/64	1	3	6 1/4	366017	CALL	366117	CALL
.2812	9/32	1	3	6 1/4	366018	CALL	366118	CALL
.2969	19/64	1	3 1/8	6 3/8	366019	CALL	366119	CALL
.3125	5/16	1	3 1/8	6 3/8	366020	55.15	366120	62.50
.3281	21/64	1	3 1/4	6 1/2	366021	70.20	366121	79.30
.3438	11/32	1	3 1/4	6 1/2	366022	70.20	366122	79.30
.3594	23/64	1	3 1/2	6 3/4	366023	70.20	366123	79.30
.3750	3/8	1	3 1/2	6 3/4	366024	70.20	366124	79.30
.3906	25/64	1	3 5/8	7	366025	81.15	366125	92.10
.4062	13/32	1	3 5/8	7	366026	81.15	366126	92.10
.4219	27/64	1	3 7/8	7 1/4	366027	81.15	366127	92.10
.4375	7/16	1	3 7/8	7 1/4	366028	71.10	366128	80.60
.4531	29/64	1	4 1/8	7 1/2	366029	86.30	366129	97.85
.4688	15/32	1	4 1/8	7 1/2	366030	86.30	366130	97.85
.4844	31/64	2	4 3/8	8 1/4	366031	86.30	366131	97.85
.5000	1/2	2	4 3/8	8 1/4	366032	67.90	366132	90.50
.5156	33/64	2	4 5/8	8 1/2	366033	87.70	366133	105.30
.5312	17/32	2	4 5/8	8 1/2	366034	71.70	366134	93.10
.5469	35/64	2	4 7/8	8 3/4	366035	88.95	366135	106.75
.5625	9/16	2	4 7/8	8 3/4	366036	72.25	366136	94.40
.5781	37/64	2	4 7/8	8 3/4	366037	93.10	366137	111.80
.5938	19/32	2	4 7/8	8 3/4	366038	79.75	366138	104.45
.6094	39/64	2	4 7/8	8 3/4	366039	107.90	366139	129.50
.6250	5/8	2	4 7/8	8 3/4	366040	87.85	366140	114.35
.6406	41/64	2	5 1/8	9	366041	109.60	366141	131.55
.6562	21/32	2	5 1/8	9	366042	85.65	366142	116.25
.6719	43/64	2	5 3/8	9 1/4	366043	110.85	366143	133.20
.6875	11/16	2	5 3/8	9 1/4	366044	88.35	366144	117.70
.7031	45/64	2	5 5/8	9 1/2	366045	113.95	366145	136.70
.7188	23/32	2	5 5/8	9 1/2	366046	98.20	366146	131.15
.7344	47/64	2	5 7/8	9 3/4	366047	116.20	366147	139.50
.7500	3/4	2	5 7/8	9 3/4	366048	100.50	366148	126.80
.7656	49/64	2	6	9 7/8	366049	123.60	366149	148.40
.7812	25/32	2	6	9 7/8	366050	119.70	366150	148.35
.7969	51/64	3	6 1/8	10 3/4	366051	124.90	366151	149.90
.8125	13/16	3	6 1/8	10 3/4	366052	121.05	366152	149.95

TOOL DIAMETER		MORSE TAPER	LENGTH		118° POINT		135° POINT	
DECIMAL	FRACTIONAL		FLUTE	OVER-ALL	TYPE 3660 EDP NO.	PRICE EACH	TYPE 3661 EDP NO.	PRICE EACH
.8281	53/64	3	6 1/8	10 3/4	366053	\$135.50	366153	\$162.60
.8438	27/32	3	6 1/8	10 3/4	366054	123.55	366154	149.95
.8594	55/64	3	6 1/8	10 3/4	366055	CALL	366155	CALL
.8750	7/8	3	6 1/8	10 3/4	366056	131.40	366156	158.40
.8906	57/64	3	6 1/8	10 3/4	366057	141.45	366157	169.65
.9062	29/32	3	6 1/8	10 3/4	366058	142.45	366158	165.10
.9219	59/64	3	6 1/8	10 3/4	366059	144.05	366159	172.80
.9375	15/16	3	6 1/8	10 3/4	366060	144.60	366160	159.70
.9531	61/64	3	6 3/8	11	366061	CALL	366161	CALL
.9688	31/32	3	6 3/8	11	366062	150.85	366162	174.70
.9844	63/64	3	6 3/8	11	366063	157.80	366163	189.40
1.0000	1	3	6 3/8	11	366064	142.25	366164	171.95
1.0156	1 1/64	3	6 1/2	11 1/8	366065	CALL	366165	CALL
1.0312	1 1/32	3	6 1/2	11 1/8	366066	191.90	366166	217.55
1.0469	1 3/64	3	6 5/8	11 1/4	366067	CALL	366167	CALL
1.0625	1 1/16	3	6 5/8	11 1/4	366068	184.30	366168	233.60
1.0781	1 5/64	4	6 7/8	12 1/2	366069	CALL	366169	CALL
1.0938	1 3/32	4	6 7/8	12 1/2	366070	CALL	366170	CALL
1.1094	1 7/64	4	7 1/8	12 3/4	366071	CALL	366171	CALL
1.1250	1 1/8	4	7 1/8	12 3/4	366072	204.10	366172	259.05
1.1406	1 9/64	4	7 1/4	12 7/8	366073	CALL	366173	CALL
1.1562	1 5/32	4	7 1/4	12 7/8	366074	CALL	366174	CALL
1.1719	1 11/64	4	7 3/8	13	366075	CALL	366175	CALL
1.1875	1 3/16	4	7 3/8	13	366076	233.85	366176	296.45
1.2031	1 13/64	4	7 1/2	13 1/8	366077	CALL	366177	CALL
1.2188	1 7/32	4	7 1/2	13 1/8	366078	CALL	366178	CALL
1.2344	1 15/64	4	7 7/8	13 1/2	366079	CALL	366179	CALL
1.2500	1 1/4	4	7 7/8	13 1/2	366080	250.25	366180	317.60
1.2812	1 9/32	4	8 1/2	14 1/8	366082	CALL	366182	CALL
1.3125	1 5/16	4	8 5/8	14 1/4	366084	353.95	366184	400.95
1.3438	1 11/32	4	8 3/4	14 3/8	366086	CALL	366186	CALL
1.3750	1 3/8	4	8 7/8	14 1/2	366088	396.75	366188	449.40
1.4062	1 13/32	4	9	14 5/8	366090	CALL	366190	CALL
1.4375	1 7/16	4	9 1/8	14 3/4	366092	CALL	366192	CALL
1.4688	1 15/32	4	9 1/4	14 7/8	366094	CALL	366194	CALL
1.5000	1 1/2	4	9 3/8	15	366096	435.20	366196	493.15
-	-	-	-	-	-	-	-	-

TYPE 3668 - SMALLER TAPER SIZE - 118° POINT

Same as Type 3660, except reduced to the next smaller Morse taper number.

While Supplies Last.

TOOL DIAMETER		MORSE TAPER	LENGTH		TYPE 3668 EDP NO.	PRICE EACH
DECIMAL	FRACTIONAL		FLUTE	OVERALL		
.4844	31/64	1	4 3/8	7 3/4	366831	\$98.70
.5000	1/2	1	4 3/8	7 3/4	366832	77.55
.5156	33/64	1	4 5/8	8	366833	95.70
.5312	17/32	1	4 5/8	8	366834	82.00
.5469	35/64	1	4 7/8	8 1/4	366835	97.05
.5625	9/16	1	4 7/8	8 1/4	366836	82.60
.7969	51/64	2	6 1/8	10	366851	136.25
.8125	13/16	2	6 1/8	10	366852	115.60
.8281	53/64	2	6 1/8	10	366853	136.25

For drill tolerances, see page 150.

While Supplies Last.

TOOL DIAMETER		MORSE TAPER	LENGTH		TYPE 3668 EDP NO.	PRICE EACH
DECIMAL	FRACTIONAL		FLUTE	OVERALL		
.8438	27/32	2	6 1/8	10	366854	\$118.05
.8594	55/64	2	6 1/8	10	366855	143.95
.8750	7/8	2	6 1/8	10	366856	125.60
.9062	29/32	2	6 1/8	10	366858	135.05
1.0938	1 3/32	3	6 7/8	11 1/2	366870	286.80
1.1250	1 1/8	3	7 1/8	11 3/4	366872	206.05
1.1562	1 5/32	3	7 1/4	11 7/8	366874	279.75
1.1875	1 3/16	3	7 3/8	12	366876	236.05
1.2500	1 1/4	3	7 7/8	12 1/2	366880	252.60

CARBIDE TIPPED TAPER SHANK TWIST DRILLS

METRIC

TYPE 3661 - TAPER SHANK - 135° SPLIT POINT

Detailed description and fractional sizes on page 136.
(Not usually recommended for drilling steel.)



For drill tolerances, see page 138.

TOOL DIAMETER		MORSE TAPER	FLUTE LENGTH		OVERALL LENGTH		118° POINT	
mm	INCH		mm	INCH	mm	INCH	TYPE 3660 EDP NO.	PRICE EACH
13.0	.5118	2	117	4 5/8	216	8 1/2	3660130	\$89.50
13.5	.5315	2	117	4 5/8	216	8 1/2	3660135	82.80
14.0	.5512	2	124	4 7/8	222	8 3/4	3660140	84.00
14.5	.5709	2	124	4 7/8	222	8 3/4	3660145	94.90
15.0	.5906	2	124	4 7/8	222	8 3/4	3660150	88.00
15.5	.6102	2	124	4 7/8	222	8 3/4	3660155	110.05
16.0	.6299	2	130	5 1/8	229	9	3660160	111.80
16.5	.6496	2	130	5 1/8	229	9	3660165	103.65
17.0	.6693	2	137	5 3/8	235	9 1/4	3660170	113.10
17.5	.6890	2	143	5 5/8	241	9 1/2	3660175	116.20
18.0	.7087	2	143	5 5/8	241	9 1/2	3660180	107.65
18.5	.7283	2	149	5 7/8	248	9 3/4	3660185	118.50
19.0	.7480	2	149	5 7/8	248	9 3/4	3660190	109.65

TOOL DIAMETER		MORSE TAPER	FLUTE LENGTH		OVERALL LENGTH		118° POINT	
mm	INCH		mm	INCH	mm	INCH	TYPE 3660 EDP NO.	PRICE EACH
20.0	.7874	3	156	6 1/8	273	10 3/4	3660200	\$127.25
21.0	.8268	3	156	6 1/8	273	10 3/4	3660210	127.25
22.0	.8661	3	156	6 1/8	273	10 3/4	3660220	124.60
23.0	.9055	3	156	6 1/8	273	10 3/4	3660230	128.75
24.0	.9449	3	162	6 3/8	279	11	3660240	148.55
25.0	.9843	3	162	6 3/8	279	11	3660250	152.40
26.0	1.0236	3	165	6 1/2	283	11 1/8	3660260	228.25
28.0	1.1024	4	181	7 1/8	324	12 3/4	3660280	253.00
30.0	1.1811	4	187	7 3/8	330	13	3660300	304.75
32.0	1.2598	4	216	8 1/2	359	14 1/8	3660320	378.40
34.0	1.3386	4	222	8 3/4	365	14 3/8	3660340	406.45
36.0	1.4173	4	232	9 1/8	375	14 3/4	3660360	465.45
38.0	1.4961	4	238	9 3/8	381	15	3660380	484.00

CARBIDE TIPPED HARD STEEL DIE DRILLS

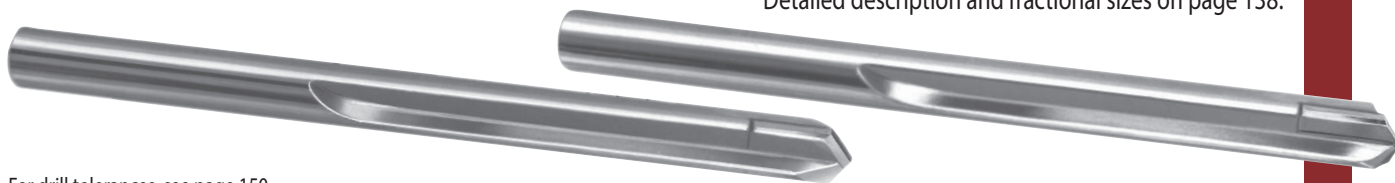
TYPE 3670 - 118° POINT NEGATIVE EDGE

For steels in the range of 50 Rc to 65 Rc.

TYPE 3672 - 118° POINT POSITIVE EDGE

For cast iron, high temperature alloys and steels up to 50 Rc.

Detailed description and fractional sizes on page 138.



For drill tolerances, see page 150.

TOOL DIAMETER		FLUTE LENGTH		OVERALL LENGTH		NEG. 118° PT TYPE 3670 EDP NO.	POS. 118° PT TYPE 3672 EDP NO.	BOTH TYPES PRICE
mm	INCH	mm	INCH	mm	INCH			
5.0	.1969	38	1 1/2	89	3 1/2	3670050	3672050	\$35.45
5.5	.2165	45	1 3/4	95	3 3/4	3670055	3672055	39.45
6.0	.2362	51	2	102	4	3670060	3672060	39.75
6.5	.2559	51	2	102	4	3670065	3672065	42.05
7.0	.2756	57	2 1/4	108	4 1/4	3670070	3672070	42.05
7.5	.2953	57	2 1/4	108	4 1/4	3670075	3672075	43.95
8.0	.3150	64	2 1/2	114	4 1/2	3670080	3672080	47.50
8.5	.3346	70	2 3/4	121	4 3/4	3670085	3672085	47.50
9.0	.3543	70	2 3/4	121	4 3/4	3670090	3672090	50.55
9.5	.3740	76	3	127	5	3670095	3672095	47.95

TOOL DIAMETER		FLUTE LENGTH		OVERALL LENGTH		NEG. 118° PT TYPE 3670 EDP NO.	POS. 118° PT TYPE 3672 EDP NO.	BOTH TYPES PRICE
mm	INCH	mm	INCH	mm	INCH			
10.0	.3937	76	3	133	5 1/4	3670100	3672100	\$59.00
10.5	.4134	76	3	133	5 1/4	3670105	3672105	68.40
11.0	.4331	76	3	140	5 1/2	3670110	3672110	96.25
11.5	.4528	76	3	140	5 1/2	3670115	3672115	72.05
12.0	.4724	83	3 1/4	146	5 3/4	3670120	3672120	88.00
12.5	.4921	89	3 1/2	152	6	3670125	3672125	88.00
13.0	.5118	89	3 1/2	152	6	3670130	3672130	101.00
13.5	.5315	89	3 1/2	152	6	3670135	3672135	101.00
14.0	.5512	89	3 1/2	152	6	3670140	3672140	104.55
-	-	-	-	-	-	-	-	-

CARBIDE TIPPED HARD STEEL DIE DRILLS

TYPE 3670 - 118° PT. NEGATIVE EDGE

For steels in the range of 50 Rc to 65 Rc.

TYPE 3672 - 118° PT. POSITIVE EDGE

For cast iron, high temperature alloys and steels up to 50 Rc.

TYPE 3671 - 140° PT. NEGATIVE EDGE

For steels in the range of 50 Rc to 65 Rc.

TYPE 3673 - 140° PT. POSITIVE EDGE

For cast iron, high temperature alloys and steels up to 50 Rc.

Heavy duty hardened tool steel bodies provide shock resilient support for the thick, long carbide tip. Straight flutes and straight shank. Drill body diameter is smaller than tool diameter.

Die drills may be run at speeds from 75 to 100 SFPM. Apply light feed (.001-.003 I.P.R.) with steady pressure. Flood the point with coolant and withdraw frequently to clear chips



For metric sizes, see page 137.
For drill tolerances, see page 150.

TOOL DIAMETER		LENGTH		NEG. 118° POINT TYPE 3670 EDP NO.	POS. 118° POINT TYPE 3672 EDP NO.	BOTH TYPES PRICE	NEG. 140° POINT TYPE 3671 EDP NO.	POS. 140° POINT TYPE 3673 EDP NO.	BOTH TYPES PRICE
DECIMAL	FRACTION	FLUTE	OVERALL						
.0625	1/16*	-	1 1/2	367004	-	\$32.15	367104	-	\$32.15
.0781	5/64*	-	1 1/2	367005	-	32.15	367105	-	32.15
.0938	3/32*	-	2	367006	-	35.30	367106	-	35.30
.1094	7/64*	-	2	367007	-	35.30	367107	-	35.30
.1250	1/8*	-	2	367008	-	36.35	367108	-	36.35
.1406	9/64*	-	2	367009	-	36.35	367109	-	36.35
.1562	5/32*	-	2	367010	-	38.30	367110	-	38.30
.1719	11/64*	-	2 3/8	367011	-	38.30	367111	-	38.30
.1875	3/16	1 1/2	3 1/2	367012	367212	34.75	367112	367312	34.75
.2031	13/64	1 1/2	3 1/2	367013	367213	34.75	367113	367313	34.75
.2188	7/32	1 3/4	3 3/4	367014	367214	35.85	367114	367314	35.85
.2344	15/64	1 3/4	3 3/4	367015	367215	37.05	367115	367315	37.05
.2500	1/4	2	4	367016	367216	37.05	367116	367316	37.05
.2656	17/64	2	4	367017	367217	39.10	367117	367317	39.10
.2812	9/32	2 1/4	4 1/4	367018	367218	39.10	367118	367318	39.10
.2969	19/64	2 1/4	4 1/4	367019	367219	40.95	367119	367319	40.95
.3125	5/16	2 1/2	4 1/2	367020	367220	40.95	367120	367320	40.95
.3281	21/64	2 1/2	4 1/2	367021	367221	43.65	367121	367321	43.65
.3438	11/32	2 3/4	4 3/4	367022	367222	43.65	367122	367322	43.65
.3594	23/64	2 3/4	4 3/4	367023	367223	46.90	367123	367323	46.90
.3750	3/8	3	5	367024	367224	46.90	367124	367324	46.90
.3906	25/64	3	5	367025	367225	52.90	367125	367325	52.90
.4062	13/32	3	5 1/4	367026	367226	54.90	367126	367326	54.90
.4219	27/64	3	5 1/4	367027	367227	59.30	367127	367327	59.30
.4375	7/16	3	5 1/2	367028	367228	63.75	367128	367328	63.75
.4531	29/64	3	5 1/2	367029	367229	66.85	367129	367329	66.85
.4688	15/32	3 1/4	5 3/4	367030	367230	69.95	367130	367330	69.95
.4844	31/64	3 1/4	5 3/4	367031	367231	84.90	367131	367331	84.90
.5000	1/2	3 1/2	6	367032	367232	82.15	367132	367332	82.15
.5312	17/32	3 1/2	6	367034	367234	94.10	367134	367334	94.10
.5625	9/16	3 1/2	6	367036	367236	97.35	367136	367336	97.35
.5938	19/32	4	7	367038	367238	103.05	367138	367338	103.05
.6250	5/8	4	7	367040	367240	106.20	367140	367340	106.20
.6562	21/32	4 1/2	7 1/2	367042	367242	113.65	367142	367342	113.65
.6875	11/16	4 1/2	7 1/2	367044	367244	116.70	367144	367344	116.70
.7188	23/32	4 3/4	8	367046	367246	122.30	367146	367346	122.30
.7500	3/4	4 3/4	8	367048	367248	125.60	367148	367348	125.60
.7812	25/32	4 3/4	8	367050	367250	242.65	367150	367350	242.65
.8125	13/16	4 3/4	8	367052	367252	225.25	367152	367352	225.25
.8750	7/8	4 3/4	8	367056	367256	229.85	367156	367356	229.85
.9375	15/16	4 3/4	8	367060	367260	256.05	367160	367360	256.05
1.0000	1	4 3/4	8	367064	367264	271.65	367164	367364	271.65

SOLID CARBIDE DIE DRILLS

TYPE 3893 - 140° POINT

Two straight flutes. Designed for drilling abrasive and tough materials.



CARBIDE TIPPED SPADE DRILLS

TYPE 3674 - 120° POINT

Carbide tip brazed to tool steel bodies. Cam relieved 120° point. Drill body diameter is smaller than tool diameter to prevent gauling.

TYPE 3675 - 140° POINT

Same as Type 3674 above, except with 140° cam relieved point designed for drilling abrasive and tough materials.

BOTH TYPES: For shallow holes, approximately 2 tool diameters deep. The short heavy construction allows more rigid hole drilling for tough applications where longer length drills are not needed.



TOOL DIAMETER		LENGTH		TYPE 3893 EDP NO.	PRICE EACH
DECIMAL	FRAC.	FLUTE	OVERALL		
.0469	3/64	1/2	1 1/2	389303	\$16.20
.0625	1/16	5/8	1 3/4	389304	16.20
.0781	5/64	3/4	1 3/4	389305	16.75
.0938	3/32	3/4	1 3/4	389306	17.35
.1094	7/64	7/8	1 7/8	389307	18.25
.1250	1/8	7/8	1 7/8	389308	19.20
.1406	9/64	1	2	389309	22.55
.1562	5/32	1	2 1/8	389310	23.65
.1719	11/64	1 1/8	2 1/8	389311	29.10
.1875	3/16	1 1/8	2 1/4	389312	31.60
.2031	13/64	1 3/16	2 1/4	389313	34.85
.2188	7/32	1 1/4	2 1/2	389314	36.45
.2344	15/64	1 5/16	2 1/2	389315	42.30
.2500	1/4	1 3/8	2 1/2	389316	39.85
.2656	17/64	1 7/16	2 3/4	389317	65.20
.2812	9/32	1 1/2	2 3/4	389318	67.45
.2969	19/64	1 9/16	2 3/4	389319	70.95
.3125	5/16	1 5/8	2 3/4	389320	62.05
.3281	21/64	1 3/4	3	389321	73.85
.3438	11/32	1 3/4	3	389322	77.40
.3594	23/64	1 3/4	3	389323	85.70
.3750	3/8	1 7/8	3	389324	81.60
.3906	25/64	2	3 1/4	389325	96.00
.4062	13/32	2	3 1/4	389326	106.55
.4219	27/64	2	3 1/2	389327	109.30
.4375	7/16	2 1/16	3 1/2	389328	109.45
.4531	29/64	2 1/8	3 3/4	389329	134.40
.4688	15/32	2 1/8	3 3/4	389330	134.95
.4844	31/64	2 1/4	3 3/4	389331	135.80
.5000	1/2	2 1/4	3 3/4	389332	121.10

TOOL DIAMETER		OVERALL LENGTH	120° PT.	140° PT.	BOTH TYPES PRICE
DECIMAL	FRAC.		TYPE 3674 EDP NO.	TYPE 3675 EDP NO.	
.0938	3/32*	2	367406	367506	\$22.50
.1094	7/64*	2	367407	367507	22.95
.1250	1/8*	2	367408	367508	22.95
.1406	9/64*	2	367409	367509	24.85
.1562	5/32*	2	367410	367510	28.55
.1719	11/64*	3	367411	367511	30.50
.1875	3/16*	3	367412	367512	36.15
.2031	13/64*	3	367413	367513	40.65
.2188	7/32	3 1/2	367414	367514	CALL
.2344	15/64	3 1/2	367415	367515	CALL
.2500	1/4	4	367416	367516	CALL
.2656	17/64	4	367417	367517	CALL
.2812	9/32	4	367418	367518	CALL
.2969	19/64	4	367419	367519	CALL
.3125	5/16	4	367420	367520	CALL
.3281	21/64	4	367421	367521	CALL
.3438	11/32	4	367422	367522	CALL
.3594	23/64	4	367423	367523	CALL
.3750	3/8	4	367424	367524	CALL
.3906	25/64	4	367425	367525	CALL
.4062	13/32	4	367426	367526	CALL
.4219	27/64	4	367427	367527	CALL
.4375	7/16	4 1/2	367428	367528	CALL
.4531	29/64	4 1/2	367429	367529	CALL
.4688	15/32	4 1/2	367430	367530	CALL
.4844	31/64	4 1/2	367431	367531	CALL
.5000	1/2	5	367432	367532	CALL

CARBIDE TIPPED AIRCRAFT EXTENSION DRILLS

TYPE 3610 - 135° SPLIT POINT - 6" OVERALL LENGTH

6" overall length aircraft extension drill. 135° split point per NAS 907 specifications.



TYPE 3611 - 135° SPLIT POINT - 12" OVERALL LENGTH

Same as Type 3610 above, except 12" overall length.



BOTH TYPES: For drilling holes where reach is normally not accessible with jobbers or taper length drills. Feeds should be light to medium range. Not recommended for deep hole applications or for drilling steel.

For drill tolerances, see page 150.

TOOL DIAMETER				6" OVERALL LENGTH				12" OVERALL LENGTH				TOOL DIAMETER				6" OVERALL LENGTH				12" OVERALL LENGTH			
DECIMAL	FRAC.	WIRE LETTER	FLUTE LENGTH	TYPE 3610 EDP NO.	PRICE EACH	TYPE 3611 EDP NO.	PRICE EACH	DECIMAL	FRAC.	WIRE LETTER	FLUTE LENGTH	TYPE 3610 EDP NO.	PRICE EACH	TYPE 3611 EDP NO.	PRICE EACH	DECIMAL	FRAC.	WIRE LETTER	FLUTE LENGTH	TYPE 3610 EDP NO.	PRICE EACH	TYPE 3611 EDP NO.	PRICE EACH
.1160		32	1 5/8	361232	\$30.20	361332	\$35.60	.2380		B	2 3/4	361402	\$39.05	361502	\$45.85	.2380		B	2 3/4	361402	\$39.05	361502	\$45.85
.1200		31	1 5/8	361231	27.00	361331	31.75	.2420		C	2 3/4	361403	39.05	361503	45.85	.2420		C	2 3/4	361403	39.05	361503	45.85
.1250	1/8		1 5/8	361008	20.90	361108	24.70	.2460		D	2 3/4	361404	38.35	361504	45.10	.2460		D	2 3/4	361404	38.35	361504	45.10
.1285		30	1 5/8	361230	28.50	361330	33.55	.2500	1/4	E	2 3/4	361016	27.95	361116	32.95	.2500	1/4	E	2 3/4	361016	27.95	361116	32.95
.1360		29	1 3/4	361229	29.40	361329	34.60	.2570		F	2 7/8	361406	40.05	361506	47.10	.2570		F	2 7/8	361406	40.05	361506	47.10
.1405		28	1 3/4	361228	29.90	361328	35.25	.2610		G	2 7/8	361407	40.95	361507	48.25	.2610		G	2 7/8	361407	40.95	361507	48.25
.1406	9/64		1 3/4	361009	22.80	361109	26.70	.2656	17/64		2 7/8	361017	29.90	361117	35.25	.2656	17/64		2 7/8	361017	29.90	361117	35.25
.1440		27	1 7/8	361227	30.55	361327	35.90	.2660		H	2 7/8	361408	41.85	361508	49.25	.2660		H	2 7/8	361408	41.85	361508	49.25
.1470		26	1 7/8	361226	29.90	361326	35.25	.2720		I	2 7/8	361409	40.95	361509	48.25	.2720		I	2 7/8	361409	40.95	361509	48.25
.1495		25	1 7/8	361225	29.90	361325	35.25	.2770		J	2 7/8	361410	41.85	361510	49.25	.2770		J	2 7/8	361410	41.85	361510	49.25
.1520		24	2	361224	30.55	361324	35.90	.2810		K	2 15/16	361411	41.85	361511	49.25	.2810		K	2 15/16	361411	41.85	361511	49.25
.1540		23	2	361223	29.90	361323	35.25	.2812	9/32		2 15/16	361018	29.90	361118	35.25	.2812	9/32		2 15/16	361018	29.90	361118	35.25
.1562	5/32		2	361010	22.25	361110	26.25	.2900		L	2 15/16	361412	41.85	361512	49.25	.2900		L	2 15/16	361412	41.85	361512	49.25
.1570		22	2	361222	32.70	361322	38.50	.2950		M	3 1/16	361413	46.10	361513	54.25	.2950		M	3 1/16	361413	46.10	361513	54.25
.1590		21	2 1/8	361221	31.70	361321	37.30	.2969	19/64		3 1/16	361019	32.50	361119	38.15	.2969	19/64		3 1/16	361019	32.50	361119	38.15
.1610		20	2 1/8	361220	32.50	361320	38.15	.3020		N	3 1/16	361414	45.10	361514	53.05	.3020		N	3 1/16	361414	45.10	361514	53.05
.1660		19	2 1/8	361219	32.50	361319	38.15	.3125	5/16		3 3/16	361020	32.50	361120	38.15	.3125	5/16		3 3/16	361020	32.50	361120	38.15
.1695		18	2 1/8	361218	32.50	361318	38.15	.3160		O	3 3/16	361415	42.90	361515	50.40	.3160		O	3 3/16	361415	42.90	361515	50.40
.1719	11/64		2 1/8	361011	24.35	361111	28.55	.3230		P	3 5/16	361416	45.65	361516	53.65	.3230		P	3 5/16	361416	45.65	361516	53.65
.1730		17	2 3/16	361217	32.50	361317	38.15	.3281	21/64		3 5/16	361021	34.50	361121	40.65	.3281	21/64		3 5/16	361021	34.50	361121	40.65
.1770		16	2 3/16	361216	31.70	361316	37.30	.3320		Q	3 7/16	361417	46.80	361517	55.05	.3320		Q	3 7/16	361417	46.80	361517	55.05
.1800		15	2 3/16	361215	32.70	361315	38.50	.3390		R	3 7/16	361418	45.65	361518	53.65	.3390		R	3 7/16	361418	45.65	361518	53.65
.1820		14	2 3/16	361214	31.70	361314	37.30	.3438	11/32		3 7/16	361022	34.50	361122	40.65	.3438	11/32		3 7/16	361022	34.50	361122	40.65
.1850		13	2 5/16	361213	31.70	361313	37.30	.3480		S	3 1/2	361419	49.35	361519	57.95	.3480		S	3 1/2	361419	49.35	361519	57.95
.1875	3/16		2 5/16	361012	23.75	361112	27.95	.3580		T	3 1/2	361420	50.55	361520	59.45	.3580		T	3 1/2	361420	50.55	361520	59.45
.1890		12	2 5/16	361212	33.00	361312	38.90	.3594	23/64		3 1/2	361023	36.80	361123	43.20	.3594	23/64		3 1/2	361023	36.80	361123	43.20
.1910		11	2 5/16	361211	33.40	361311	39.40	.3680		U	3 5/8	361421	48.60	361521	57.30	.3680		U	3 5/8	361421	48.60	361521	57.30
.1935		10	2 7/16	361210	33.00	361310	38.90	.3750	3/8		3 5/8	361024	36.80	361124	43.20	.3750	3/8		3 5/8	361024	36.80	361124	43.20
.1960		9	2 7/16	361209	33.40	361309	39.40	.3770		V	3 5/8	361422	49.35	361522	57.95	.3770		V	3 5/8	361422	49.35	361522	57.95
.1990		8	2 7/16	361208	33.40	361308	39.40	.3860		W	3 3/4	361423	52.90	361523	62.25	.3860		W	3 3/4	361423	52.90	361523	62.25
.2010		7	2 7/16	361207	33.40	361307	39.40	.3906	25/64		3 3/4	361025	37.75	361125	44.50	.3906	25/64		3 3/4	361025	37.75	361125	44.50
.2031	13/64		2 7/16	361013	26.05	361113	30.55	.3970		X	3 3/4	361424	50.10	361524	59.00	.3970		X	3 3/4	361424	50.10	361524	59.00
.2040		6	2 1/2	361206	34.35	361306	40.45	.4040		Y	3 7/8	361425	52.00	361525	61.15	.4040		Y	3 7/8	361425	52.00	361525	61.15
.2055		5	2 1/2	361205	33.40	361305	39.40	.4062	13/32		3 7/8	361026	37.25	361126	43.85	.4062	13/32		3 7/8	361026	37.25	361126	43.85
.2090		4	2 1/2	361204	31.45	361304	37.05	.4130		Z	3 7/8	361426	58.70	361526	68.95	.4130		Z	3 7/8	361426	58.70	361526	68.95
.2130		3	2 1/2	361203	33.40	361303	39.40	.4219	27/64		3 15/16	361027	40.95	361127	48.25	.4219	27/64		3 15/16	361027	40.95	361127	48.25
.2188	7/32		2 1/2	361014	26.05	361114	30.55	.4375	7/16		4 1/16	361028	40.95	361128	48.25	.4375	7/16		4 1/16	361028	40.95	361128	48.25
.2210		2	2 5/8	361202	32.85	361302	38.65	.4531	29/64		4 3/16	361029	47.05	361129	55.45	.4531	29/64		4 3/16	361029	47.05	361129	55.45
.2280		1	2 5/8	361201	32.50	361301	38.15	.4688	15/32		4 5/16	361030	46.10	361130	54.25	.4688	15/32		4 5/16	361030	46.10	361130	54.25
.2340		A	2 5/8	361401	39.05	361501	45.85	.4844	31/64		4 3/8	361031	51.70	361131	60.85	.4844	31/64		4 3/8	361031	51.70	361131	60.85
.2344	15/64		2 5/8	361015	27.95	361115	32.95	.5000	1/2		4 1/2	361032	51.70	361132	60.85	.5000	1/2		4 1/2	361032	51.70	361132	60.85

HIGH SPEED STEEL COBALT JOBBERS LENGTH DRILLS FOR STEEL



TYPE 3699 - JOBBERS LENGTH- 135° SPLIT POINT

6 piece standard package quantity over .3020" diameter
12 piece standard package quantity up to .3020" diameter

High speed steel cobalt jobbers length drills for most materials including steels, stainless steels, and steel alloys.

TOOL DIAMETER		LENGTH		135° POINT	
DEC.	WIRE LTR, FRAC	FLT.	OVER-ALL	TYPE 3699 EDP NO.	PRICE EACH
.0400	60	1/16	1 5/8	36990400	\$3.35
.0410	59	1/16	1 5/8	36990410	3.35
.0420	58	1/16	1 5/8	36990420	3.35
.0430	57	3/4	1 3/4	36990430	3.35
.0465	56	3/4	1 3/4	36990465	3.35
.0520	55	7/8	1 7/8	36990520	2.90
.0550	54	7/8	1 7/8	36990550	2.90
.0595	53	7/8	1 7/8	36990595	2.90
.0625	52	7/8	1 7/8	36990625	2.65
.0635	52	7/8	1 7/8	36990635	2.65
.0670	51	1	2	36990670	2.65
.0700	50	1	2	36990700	2.65
.0730	49	1	2	36990730	2.65
.0760	48	1	2	36990760	2.65
.0781	5/64	1	2	36990781	2.65
.0785	47	1	2	36990785	2.65
.0810	46	1 1/8	2 1/8	36990810	2.65
.0820	45	1 1/8	2 1/8	36990820	2.65
.0860	44	1 1/8	2 1/8	36990860	2.65
.0890	43	1 1/4	2 1/4	36990890	2.65
.0935	42	1 1/4	2 1/4	36990935	2.65
.0938	3/32	1 1/4	2 1/4	36990938	2.65
.0960	41	1 3/8	2 3/8	36990960	2.65
.0980	40	1 3/8	2 3/8	36990980	2.75
.0995	39	1 3/8	2 3/8	36990995	2.75
.1015	38	1 7/16	2 1/2	36991015	2.75
.1040	37	1 7/16	2 1/2	36991040	2.90
.1065	36	1 7/16	2 1/2	36991065	2.90
.1094	7/64	1 1/2	2 5/8	36991094	2.80
.1100	35	1 1/2	2 5/8	36991100	2.90
.1110	34	1 1/2	2 5/8	36991110	2.90
.1130	33	1 1/2	2 5/8	36991130	2.90
.1160	32	1 5/8	2 3/4	36991160	3.05
.1200	31	1 5/8	2 3/4	36991200	3.05
.1250	30	1 5/8	2 3/4	36991250	3.40
.1285	30	1 5/8	2 3/4	36991285	3.15
.1360	29	1 3/4	2 7/8	36991360	3.35
.1405	28	1 3/4	2 7/8	36991405	3.40

TOOL DIAMETER		LENGTH		135° POINT	
DEC.	WIRE LTR, FRAC	FLT.	OVER-ALL	TYPE 3699 EDP NO.	PRICE EACH
.1406	9/64	1 3/4	2 7/8	369909	\$3.40
.1440	27	1 7/8	3	36991440	3.65
.1470	26	1 7/8	3	36991470	3.65
.1495	25	1 7/8	3	36991495	3.65
.1520	24	2	3 1/8	36991520	4.10
.1540	23	2	3 1/8	36991540	4.10
.1562	5/32	2	3 1/8	36991562	3.85
.1570	22	2	3 1/8	36991570	4.10
.1590	21	2 1/8	3 1/4	36991590	4.10
.1610	20	2 1/8	3 1/4	36991610	4.10
.1660	19	2 1/8	3 1/4	36991660	4.10
.1695	18	2 1/8	3 1/4	36991695	4.20
.1719	17/64	2 1/8	3 1/4	36991719	4.00
.1730	17	2 3/16	3 3/8	36991730	4.60
.1770	16	2 3/16	3 3/8	36991770	4.70
.1800	15	2 3/16	3 3/8	36991800	5.05
.1820	14	2 3/16	3 3/8	36991820	5.05
.1850	13	2 3/16	3 1/2	36991850	5.05
.1875	3/16	2 3/16	3 1/2	36991875	4.55
.1890	12	2 3/16	3 1/2	36991890	5.30
.1910	11	2 3/16	3 1/2	36991910	5.30
.1935	10	2 3/16	3 5/8	36991935	5.30
.1960	9	2 3/16	3 5/8	36991960	5.30
.1990	8	2 3/16	3 5/8	36991990	5.30
.2010	7	2 7/16	3 5/8	36992010	5.30
.2031	13/64	2 7/16	3 5/8	36992031	5.45
.2040	6	2 1/2	3 3/4	36992040	6.85
.2055	5	2 1/2	3 3/4	36992055	6.85
.2090	4	2 1/2	3 3/4	36992090	6.85
.2130	3	2 1/2	3 3/4	36992130	6.85
.2188	7/32	2 1/2	3 3/4	36992188	6.00
.2210	2	2 5/8	3 7/8	36992210	7.25
.2280	1	2 5/8	3 7/8	36992280	7.25
.2340	A	2 5/8	3 7/8	36992340	8.35
.2344	15/64	2 5/8	3 7/8	36992344	6.30
.2380	B	2 3/4	4	36992380	9.65
.2420	C	2 3/4	4	36992420	9.65
.2460	D	2 3/4	4	36992460	9.75

TOOL DIAMETER		LENGTH		135° POINT	
DEC.	WIRE LTR, FRAC	FLT.	OVER-ALL	TYPE 3699 EDP NO.	PRICE EACH
.2500	1/4	2 3/4	4	369916	\$6.75
.2570	F	2 7/8	4 1/8	36992570	10.15
.2610	G	2 7/8	4 1/8	36992610	10.50
.2656	17/64	2 7/8	4 1/8	369917	7.70
.2660	H	2 7/8	4 1/8	36992660	10.85
.2720	I	2 7/8	4 1/8	36992720	10.95
.2770	J	2 7/8	4 1/8	36992770	11.20
.2810	K	2 15/16	4 1/4	36992810	11.45
.2812	9/32	2 15/16	4 1/4	36992812	8.05
.2900	L	2 15/16	4 1/4	36992900	12.30
.2950	M	3 1/16	4 3/8	36992950	13.05
.2969	19/64	3 1/16	4 3/8	369919	9.80
.3020	N	3 1/16	4 3/8	36993020	13.05
.3125	5/16	3 3/16	4 1/2	369920	10.40
.3160	O	3 1/16	4 1/2	36993160	14.45
.3230	P	3 3/16	4 5/8	36993230	15.35
.3281	21/64	3 3/16	4 5/8	369921	11.55
.3320	Q	3 7/16	4 3/4	36993320	15.90
.3390	R	3 7/16	4 3/4	36993390	15.90
.3438	11/32	3 7/16	4 3/4	369922	12.65
.3480	S	3 1/2	4 7/8	36993480	19.45
.3594	23/64	3 1/2	4 7/8	369923	13.90
.3580	T	3 1/2	4 7/8	36993580	19.45
.3680	U	3 5/8	5	36993680	19.45
.3750	3/8	3 5/8	5	369924	14.45
.3770	V	3 5/8	5	36993770	21.45
.3860	W	3 3/4	5 1/8	36993860	21.45
.3960	25/64	3 3/4	5 1/8	369925	16.55
.3970	X	3 3/4	5 1/8	36993970	21.45
.4040	Y	3 7/8	5 1/4	36994040	22.70
.4062	13/32	3 7/8	5 1/4	369926	17.25
.4130	Z	3 7/8	5 1/4	36994130	24.75
.4210	27/64	3 15/16	5 3/8	369927	19.05
.4375	7/16	4 1/16	5 1/2	369928	19.45
.4531	29/64	4 3/16	5 5/8	369929	23.40
.4688	15/32	4 5/16	5 3/4	369930	23.85
.4844	31/64	4 3/8	5 7/8	369931	24.60
.5000	1/2	4 1/2	6	369932	24.75

CARBIDE TIPPED STRAIGHT FLUTE COOLANT DRILLS

TYPE 3658 - 125° 4 FACET POINT - EXTRA LONG LENGTH



Carbide tip brazed to hardened tool steel bodies. Self centering point with polished straight flutes for hole straightness and chip removal capacity. Shank diameter is same size as tool diameter. Drill body diameter is smaller than tool diameter. Two coolant holes.

Tool and shank diameter tolerances: +.000"/-.001"

TOOL DIAMETER		LENGTH		TYPE 3658 EDP NO.	PRICE EACH	DECIMAL SIZE RANGE*
DECIMAL	FRAC.	FLUTE	OVERALL			
.3125	5/16	8	10	365820	\$299.30	.3100 - .3160
.3438	11/32	8	10	365822	299.30	.3281 - .3460
.3750	3/8	9	11	365824	316.30	.3594 - .3770
.4062	13/32	9	11	365826	360.10	.3906 - .4080
.4375	7/16	9	11	365828	360.10	.4200 - .4390
.4688	15/32	9 3/4	12	365830	380.30	.4531 - .4710
.5000	1/2	9 3/4	12	365832	380.30	.4800 - .5030
.5312	17/32	9 3/4	12	365834	408.15	.5118 - .5330

TOOL DIAMETER		LENGTH		TYPE 3658 EDP NO.	PRICE EACH	DECIMAL SIZE RANGE*
DECIMAL	FRAC.	FLUTE	OVERALL			
.5625	9/16	10 3/4	13	365836	\$439.65	.5430 - .5650
.6250	5/8	10 3/4	13	365840	464.20	.6070 - .6270
.6875	11/16	11 3/4	14	365844	483.35	.6693 - .6900
.7500	3/4	11 3/4	14	365848	511.55	.7320 - .7530
.8125	13/16	12 3/4	15	365852	543.30	.7953 - .8160
.8750	7/8	12 3/4	15	365856	585.45	.8570 - .8780
.9375	15/16	13 3/4	16	365860	625.45	.9180 - .9390
1.0000	1	13 3/4	16	365864	677.35	.9820 - 1.0030

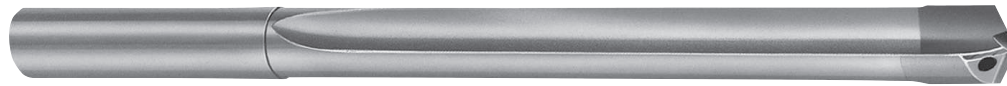
Phone 941-739-2726 • Fax 941-739-2827 • www.lexingtoncutter.com • LEXINGTON CUTTER, INC.

*Call for decimal size pricing.

CARBIDE TIPPED STRAIGHT FLUTE COOLANT DRILLS

TYPE 3650 - 125° 4 FACET POINT - LONG LENGTH

Carbide tip brazed to hardened tool steel bodies. Self centering point with polished straight flutes for hole straightness and chip removal capacity. Shank diameter is same size as tool diameter. Drill body diameter is smaller than tool diameter. Two coolant holes. Where possible use shorter length Type 3652 for greater rigidity.



TOOL DIAMETER		LENGTH		TYPE 3650 EDP NO.	PRICE EACH	DECIMAL SIZE RANGE*
DECIMAL	FRACTION	FLUTE	OVERALL			
.2500	1/4	4 5/8	6 1/8	365016	\$207.40	.2490 - .2530
.2656	17/64	4 3/4	6 1/4	365017	207.40	-
.2812	9/32	4 3/4	6 1/4	365018	207.40	.2640 - .2840
.2969	19/64	4 7/8	6 3/8	365019	207.40	-
.3125	5/16	4 7/8	6 3/8	365020	207.40	.2950 - .3160
.3281	21/64	5	6 1/2	365021	199.65	-
.3438	11/32	5	6 1/2	365022	199.65	.3260 - .3460
.3594	23/64	5 1/4	6 3/4	365023	194.55	-
.3750	3/8	5 1/4	6 3/4	365024	202.05	.3540 - .3770
.3906	25/64	5 1/2	7	365025	199.65	-
.4062	13/32	5 1/2	7	365026	199.65	.3850 - .4080
.4219	27/64	5 3/4	7 1/4	365027	206.05	-
.4375	7/16	5 3/4	7 1/4	365028	206.05	.4100 - .4390
.4531	29/64	5 3/4	7 1/2	365029	219.10	-
.4688	15/32	5 3/4	7 1/2	365030	219.10	.4391 - .4724
.4844	31/64	5 3/4	7 3/4	365031	225.65	-
.5000	1/2	5 3/4	7 3/4	365032	225.65	.4725 - .5030
.5156	33/64	6	8	365033	242.05	-
.5312	17/32	6	8	365034	242.05	.5031 - .5330
.5469	35/64	6 1/4	8 1/4	365035	250.70	-
.5625	9/16	6 1/4	8 1/4	365036	255.05	.5331 - .5650

TOOL DIAMETER		LENGTH		TYPE 3650 EDP NO.	PRICE EACH	DECIMAL SIZE RANGE*
DECIMAL	FRACTION	FLUTE	OVERALL			
.5781	37/64	6 3/4	8 3/4	365037	\$301.90	-
.5938	19/32	6 3/4	8 3/4	365038	307.05	.5651 - .5950
.6094	39/64	6 3/4	8 3/4	365039	301.90	-
.6250	5/8	6 3/4	8 3/4	365040	307.05	.5951 - .6270
.6406	41/64	7	9	365041	318.15	-
.6562	21/32	7	9	365042	323.65	.6271 - .6570
.6719	43/64	7 1/4	9 1/4	365043	340.65	-
.6875	11/16	7 1/4	9 1/4	365044	346.65	.6571 - .6900
.7031	45/64	7 1/2	9 1/2	365045	353.65	-
.7188	23/32	7 1/2	9 1/2	365046	359.55	.6901 - .7220
.7344	47/64	7 3/4	9 3/4	365047	356.60	-
.7500	3/4	7 3/4	9 3/4	365048	362.85	.7221 - .7530
.7656	49/64	7 7/8	9 7/8	365049	385.75	-
.7812	25/32	7 7/8	9 7/8	365050	385.75	.7531 - .7840
.8125	13/16	8	10	365052	392.30	.7841 - .8160
.8438	27/32	8	10	365054	415.20	.8161 - .8470
.8750	7/8	8	10	365056	425.00	.8471 - .8780
.9062	29/32	8	10	365058	470.85	.8781 - .9090
.9375	15/16	8 3/4	10 3/4	365060	490.40	.9091 - .9390
.9688	31/32	9	11	365062	495.15	.9391 - .9700
1.0000	1	9	11	365064	495.15	.9701 - 1.0030

TYPE 3652 - 125° 4 FACET POINT - SHORT LENGTH

Same as Type 3650 above, except shorter length.



BOTH TYPES ON THIS PAGE:

Tool and shank diameter tolerances: +.000"/-.001".

TOOL DIAMETER		LENGTH		TYPE 3652 EDP NO.	PRICE EACH	DECIMAL SIZE RANGE*
DECIMAL	FRACTION	FLUTE	OVERALL			
.2500	1/4	2 1/2	4 29/32	365216	\$189.45	.2490 - .2530
.2656	17/64	2 3/4	5 5/32	365217	189.45	-
.2812	9/32	2 3/4	5 5/32	365218	189.45	.2640 - .2840
.2969	19/64	3 3/16	5 19/32	365219	189.45	-
.3125	5/16	3 3/16	5 19/32	365220	189.45	.2950 - .3160
.3281	21/64	3 7/16	5 27/32	365221	189.45	-
.3438	11/32	3 7/16	5 27/32	365222	189.45	.3260 - .3460
.3594	23/64	3 5/8	6 1/32	365223	191.35	-
.3750	3/8	3 5/8	6 1/32	365224	191.35	.3540 - .3770
.3906	25/64	3 7/8	6 5/32	365225	196.20	-
.4062	13/32	3 7/8	6 5/32	365226	196.20	.3850 - .4080
.4219	27/64	4 1/16	6 15/32	365227	202.80	-
.4375	7/16	4 1/16	6 15/32	365228	202.80	.4100 - .4390
.4531	29/64	4 5/16	6 23/32	365229	215.90	-
.4688	15/32	4 5/16	6 23/32	365230	215.90	.4391 - .4724
.4844	31/64	4 1/2	6 29/32	365231	222.25	-
.5000	1/2	4 1/2	6 29/32	365232	222.25	.4725 - .5030
.5156	33/64	4 13/16	7 7/32	365233	231.60	-
.5312	17/32	4 13/16	7 7/32	365234	235.50	.5031 - .5330
.5469	35/64	4 13/16	7 7/32	365235	244.25	-
.5625	9/16	4 13/16	7 7/32	365236	248.55	.5331 - .5650

TOOL DIAMETER		LENGTH		TYPE 3652 EDP NO.	PRICE EACH	DECIMAL SIZE RANGE*
DECIMAL	FRACTION	FLUTE	OVERALL			
.5781	37/64	5 3/16	7 19/32	365237	\$292.80	-
.5938	19/32	5 3/16	7 19/32	365238	297.70	.5651 - .5950
.6094	39/64	5 3/16	7 19/32	365239	292.80	-
.6250	5/8	5 3/16	7 19/32	365240	297.70	.5951 - .6270
.6406	41/64	5 3/16	7 19/32	365241	313.85	-
.6562	21/32	5 3/16	7 19/32	365242	313.85	.6271 - .6570
.6719	43/64	5 5/8	8 1/32	365243	339.60	-
.6875	11/16	5 5/8	8 1/32	365244	340.05	.6571 - .6900
.7031	45/64	5 5/8	8 1/32	365245	349.70	-
.7188	23/32	5 5/8	8 1/32	365246	349.70	.6901 - .7220
.7344	47/64	6 1/16	8 15/32	365247	353.20	-
.7500	3/4	6 1/16	8 15/32	365248	353.20	.7221 - .7530
.7656	49/64	6 1/16	8 5/16	365249	369.75	-
.7812	25/32	6 1/16	8 5/16	365250	376.10	.7531 - .7840
.8125	13/16	6 1/16	8 5/16	365252	382.45	.7841 - .8160
.8438	27/32	6 1/2	9	365254	405.50	.8161 - .8470
.8750	7/8	6 1/2	9	365256	415.20	.8471 - .8780
.9062	29/32	6 15/16	9 7/16	365258	444.40	.8781 - .9090
.9375	15/16	6 15/16	9 7/16	365260	477.35	.9091 - .9390
.9688	31/32	6 15/16	9 7/16	365262	496.90	.9391 - .9700
1.0000	1	7 3/8	9 7/8	365264	510.00	.9701 - 1.0030

CARBIDE TIPPED STRAIGHT FLUTE COOLANT DRILLS

METRIC

TYPE 3650 - 125° 4 FACET POINT - LONG LENGTH

Carbide tip brazed to hardened tool steel bodies. Self centering point with polished straight flutes for hole straightness and chip removal capacity. Shank diameter is same size as tool diameter. Drill body diameter is smaller than tool diameter. Two coolant holes. Where possible use shorter length Type 3652 for greater rigidity.



TOOL DIAMETER		LENGTH				TYPE 3650 EDP NO.	PRICE EACH	METRIC SIZE RANGE*
		FLUTE		OVERALL				
mm	INCH	mm	INCH	mm	INCH			
**6.5	.2559	117	4 5/8	156	6 1/8	3650065	\$216.15	-
7.0	.2756	121	4 3/4	159	6 1/4	3650070	216.15	6.706 - 7.214
7.5	.2953	124	4 7/8	162	6 3/8	3650075	216.15	7.493 - 8.026
8.0	.3150	124	4 7/8	162	6 3/8	3650080	216.15	-
8.5	.3346	127	5	165	6 1/2	3650085	208.70	8.280 - 8.788
9.0	.3543	133	5 1/4	171	6 3/4	3650090	208.70	8.992 - 9.576
9.5	.3740	133	5 1/4	171	6 3/4	3650095	208.70	-
10.0	.3937	140	5 1/2	178	7	3650100	208.70	9.779 - 10.363
10.5	.4134	146	5 3/4	184	7 1/4	3650105	216.15	10.414 - 11.151
11.0	.4331	146	5 3/4	184	7 1/4	3650110	216.15	-
11.5	.4528	146	5 3/4	191	7 1/2	3650115	233.60	11.153 - 12.000
12.0	.4724	146	5 3/4	191	7 1/2	3650120	233.60	-
12.5	.4921	146	5 3/4	197	7 3/4	3650125	238.55	12.002 - 12.776
13.0	.5118	152	6	203	8	3650130	253.40	12.779 - 13.538
13.5	.5315	152	6	203	8	3650135	253.40	-
14.0	.5512	159	6 1/4	210	8 1/4	3650140	265.85	13.541 - 14.351
14.5	.5709	171	6 3/4	222	8 3/4	3650145	322.90	14.354 - 15.113
15.0	.5906	171	6 3/4	222	8 3/4	3650150	322.90	-
15.5	.6102	171	6 3/4	222	8 3/4	3650155	322.90	15.116 - 15.926

TOOL DIAMETER		LENGTH				TYPE 3650 EDP NO.	PRICE EACH	METRIC SIZE RANGE*
		FLUTE		OVERALL				
mm	INCH	mm	INCH	mm	INCH			
16.0	.6299	178	7	229	9	3650160	\$330.40	15.928 - 16.688
16.5	.6496	178	7	229	9	3650165	330.40	-
17.0	.6693	184	7 1/4	235	9 1/4	3650170	352.75	16.690 - 17.526
17.5	.6890	184	7 1/4	235	9 1/4	3650175	352.75	-
18.0	.7087	191	7 1/2	241	9 1/2	3650180	370.25	17.529 - 18.339
18.5	.7283	197	7 3/4	248	9 3/4	3650185	372.65	18.341 - 19.126
19.0	.7480	197	7 3/4	248	9 3/4	3650190	372.65	-
19.5	.7677	200	7 7/8	251	9 7/8	3650195	395.10	19.129 - 19.914
20.0	.7874	203	8	254	10	3650200	400.10	19.916 - 20.726
20.5	.8071	203	8	254	10	3650205	400.10	-
21.0	.8268	203	8	254	10	3650210	422.35	20.729 - 21.514
21.5	.8465	203	8	254	10	3650215	422.35	-
22.0	.8661	203	8	254	10	3650220	432.30	21.516 - 22.301
22.5	.8858	203	8	254	10	3650225	477.05	22.304 - 23.089
23.0	.9055	203	8	254	10	3650230	477.05	-
23.5	.9252	222	8 3/4	273	10 3/4	3650235	494.40	23.091 - 23.851
24.0	.9449	229	9	279	11	3650240	514.30	23.853 - 24.638
24.5	.9646	229	9	279	11	3650245	514.30	-
25.0	.9843	229	9	279	11	3650250	514.30	24.641 - 25.476

TYPE 3652 - 125° 4 FACET POINT - SHORT LENGTH

Same as Type 3650 above, except shorter length.



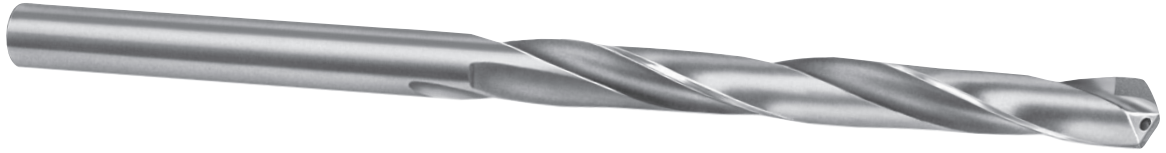
BOTH TYPES ON THIS PAGE:

Tool and shank diameter tolerances: +.000"/-.001".

TOOL DIAMETER		LENGTH				TYPE 3652 EDP NO.	PRICE EACH	METRIC SIZE RANGE*
		FLUTE		OVERALL				
mm	INCH	mm	INCH	mm	INCH			
**6.5	.2559	64	2 1/2	125	4 29/32	3652065	\$244.65	-
7.0	.2756	70	2 3/4	131	5 5/32	3652070	244.65	6.706 - 7.214
7.5	.2953	81	3 3/16	142	5 19/32	3652075	244.65	7.493 - 8.026
8.0	.3150	81	3 3/16	142	5 19/32	3652080	244.65	-
8.5	.3346	87	3 7/16	148	5 27/32	3652085	236.25	8.280 - 8.788
9.0	.3543	92	3 5/8	153	6 1/32	3652090	236.25	8.992 - 9.576
9.5	.3740	92	3 5/8	153	6 1/32	3652095	236.25	-
10.0	.3937	98	3 7/8	159	6 9/32	3652100	236.25	9.779 - 10.363
10.5	.4134	103	4 1/16	164	6 15/32	3652105	244.65	10.414 - 11.151
11.0	.4331	103	4 1/16	164	6 15/32	3652110	244.65	-
11.5	.4528	109	4 3/16	171	6 23/32	3652115	264.45	11.153 - 12.000
12.0	.4724	109	4 3/16	171	6 23/32	3652120	264.45	-
12.5	.4921	114	4 1/2	175	6 29/32	3652125	270.10	12.002 - 12.776
13.0	.5118	122	4 13/16	183	7 1/32	3652130	286.85	12.779 - 13.538
13.5	.5315	122	4 13/16	183	7 1/32	3652135	286.85	-
14.0	.5512	122	4 13/16	183	7 1/32	3652140	300.95	13.541 - 14.351
14.5	.5709	131	5 3/16	193	7 19/32	3652145	365.60	14.354 - 15.113
15.0	.5906	131	5 3/16	193	7 19/32	3652150	365.60	-
15.5	.6102	131	5 3/16	193	7 19/32	3652155	365.60	15.116 - 15.926

TOOL DIAMETER		LENGTH				TYPE 3652 EDP NO.	PRICE EACH	METRIC SIZE RANGE*
		FLUTE		OVERALL				
mm	INCH	mm	INCH	mm	INCH			
16.0	.6299	131	5 3/16	193	7 19/32	3652160	\$374.05	15.928 - 16.688
16.5	.6496	131	5 3/16	193	7 19/32	3652165	374.05	-
17.0	.6693	143	5 5/8	204	8 1/32	3652170	399.35	16.690 - 17.526
17.5	.6890	143	5 5/8	204	8 1/32	3652175	399.35	-
18.0	.7087	143	5 5/8	204	8 1/32	3652180	419.15	17.529 - 18.339
18.5	.7283	154	6 1/16	215	8 15/32	3652185	421.85	18.341 - 19.126
19.0	.7480	154	6 1/16	215	8 15/32	3652190	421.85	-
19.5	.7677	154	6 1/16	217	8 9/16	3652195	447.30	19.129 - 19.914
20.0	.7874	154	6 1/16	217	8 9/16	3652200	452.90	19.916 - 20.726
20.5	.8071	154	6 1/16	217	8 9/16	3652205	452.90	-
21.0	.8268	165	6 1/2	229	9	3652210	478.15	20.729 - 21.514
21.5	.8465	165	6 1/2	229	9	3652215	478.15	-
22.0	.8661	165	6 1/2	229	9	3652220	489.40	21.516 - 22.301
22.5	.8858	176	6 15/16	240	9 7/16	3652225	540.05	22.304 - 23.089
23.0	.9055	176	6 15/16	240	9 7/16	3652230	540.05	-
23.5	.9252	176	6 15/16	240	9 7/16	3652235	559.70	23.091 - 23.851
24.0	.9449	176	6 15/16	240	9 7/16	3652240	582.15	23.853 - 24.638
24.5	.9646	176	6 15/16	240	9 7/16	3652245	577.30	-
25.0	.9843	187	7 3/8	251	9 7/8	3652250	582.15	24.641 - 25.476

CARBIDE TIPPED COOLANT TWIST DRILLS



TOOL DIAMETER		LENGTH		125° 4 FACET PT.		135° SPLIT PT.		DECIMAL SIZE RANGE*
DECIMAL	FRAC.	FLUTE	OVERALL	TYPE 3656 EDP NO.	PRICE EACH	TYPE 3657 EDP NO.	PRICE EACH	
.2500	1/4	3 3/4	6 1/8	365616	\$208.05	365716	\$260.35	-
.2812	9/32	3 7/8	6 1/4	365618	208.05	365718	256.30	.2650 - .2840
.3125	5/16	4	6 3/8	365620	CALL	365720	CALL	.2953 - .3150
.3438	11/32	4 1/8	6 1/2	365622	208.05	365722	256.30	.3280 - .3460
.3750	3/8	4 1/4	6 3/4	365624	208.05	365724	256.30	.3543 - .3770
.4062	13/32	4 3/8	7	365626	208.05	365726	275.05	.3900 - .4080
.4375	7/16	4 5/8	7 1/4	365628	208.05	365728	275.05	.4130 - .4390
.4688	15/32	4 7/8	7 1/2	365630	CALL	365730	CALL	.4391 - .4710
.5000	1/2	5	7 3/4	365632	CALL	365732	CALL	.4711 - .5020
.5312	17/32	5 1/4	8	365634	CALL	365734	CALL	.5021 - .5330
.5625	9/16	5 3/8	8 1/4	365636	CALL	365736	CALL	.5331 - .5640
.5938	19/32	5 5/8	8 1/2	365638	307.10	365738	366.25	.5641 - .5940
.6250	5/8	5 3/4	8 3/4	365640	307.10	365740	366.25	.5941 - .6260
.6562	21/32	5 7/8	9	365642	326.70	365742	389.55	.6261 - .6570
.6875	11/16	6	9 1/4	365644	350.00	365744	417.25	.6571 - .6900
.7188	23/32	6 3/16	9 1/2	365646	364.60	365746	428.00	.6901 - .7210
.7500	3/4	6 3/8	9 3/4	365648	366.55	365748	430.30	.7211 - .7520

TYPE 3656 - 125° 4 FACET POINT LONG LENGTH

Carbide tip brazed to hardened tool steel bodies with polished right spiral flutes. Self centering point. Shank and body diameters are same size as tool diameter. Two coolant holes. Heavy web with slow spiral for best rigidity and improved chip removal.

TYPE 3657 - 135° SPLIT POINT LONG LENGTH

Same as Type 3656 above, except with 135° cam relieved split point.

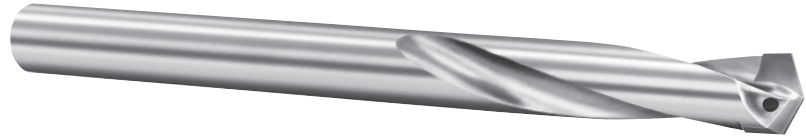
Tool and shank diameter tolerances: +.000"/-.001".

*Call for decimal size pricing.

TYPE 3654 - 125° 4 FACET POINT - STUB LENGTH

TYPE 3655 - 135° SPLIT POINT - STUB LENGTH

Same as Type 3656 & 3657 above, except shorter length and shank & body diameters are smaller than tool diameter.



Tool and shank diameter tolerances: +.000"/-.001".

TOOL DIAMETER		FLUTE LENGTH	SHANK & BODY DIAM.	OVER-ALL LENGTH	125° 4 FACET PT.		135° SPLIT PT.	
DECIMAL	FRAC.				TYPE 3654 EDP NO.	PRICE EACH	TYPE 3655 EDP NO.	PRICE EACH
.2500	1/4	1 17/32	.2344	3 15/16	365416	\$193.00	365516	\$237.30
.2656	17/64	1 19/32	.2500	4	365417	220.10	365517	253.40
.2812	9/32	1 19/32	.2656	4	365418	206.80	365518	250.50
.2969	19/64	1 3/4	.2812	4 5/32	365419	220.10	365519	253.40
.3125	5/16	1 3/4	.2969	4 5/32	365420	206.80	365520	250.50
.3281	21/64	1 15/16	.3125	4 11/32	365421	220.10	365521	253.40
.3438	11/32	1 15/16	.3281	4 11/32	365422	206.80	365522	250.50
.3594	23/64	2 1/8	.3438	4 17/32	365423	220.10	365523	263.65
.3750	3/8	2 1/8	.3594	4 17/32	365424	206.80	365524	250.50
.3906	25/64	2 5/32	.3750	4 11/16	365425	220.10	365525	279.00
.4062	13/32	2 9/32	.3906	4 11/16	365426	206.80	365526	268.60
.4219	27/64	2 1/2	.4062	4 29/32	365427	220.10	365527	279.00
.4375	7/16	2 1/2	.4219	4 29/32	365428	206.80	365528	268.60
.4531	29/64	2 21/32	.4375	5 1/16	365429	232.85	365529	279.00
.4688	15/32	2 21/32	.4531	5 1/16	365430	220.15	365530	268.60
.4844	31/64	2 13/16	.4688	5 7/32	365431	238.05	365531	279.00
.5000	1/2	2 13/16	.4844	5 7/32	365432	226.75	365532	268.60
.5156	33/64	3	.5000	5 13/32	365433	CALL	365533	CALL
.5312	17/32	3	.5156	5 13/32	365434	CALL	365534	CALL
.5469	35/64	3 1/8	.5312	5 17/32	365435	CALL	365535	CALL
.5625	9/16	3 1/8	.5469	5 17/32	365436	CALL	365536	CALL
.5781	37/64	3 9/32	.5625	5 11/16	365437	CALL	365537	CALL
.5938	19/32	3 9/32	.5781	5 11/16	365438	242.65	365538	284.50
.6094	39/64	3 7/16	.5938	5 27/32	365439	253.40	365539	291.70
.6250	5/8	3 7/16	.6094	5 27/32	365440	242.65	365540	284.50
.6406	41/64	3 21/32	.6250	6 1/16	365441	253.40	365541	291.70
.6562	21/32	3 21/32	.6406	6 1/16	365442	242.65	365542	284.50

TOOL DIAMETER		FLUTE LENGTH	SHANK & BODY DIAM.	OVER-ALL LENGTH	125° 4 FACET PT.		135° SPLIT PT.	
DECIMAL	FRAC.				TYPE 3654 EDP NO.	PRICE EACH	TYPE 3655 EDP NO.	PRICE EACH
.6719	43/64	3 13/16	.6562	6 7/32	365443	\$253.40	365543	\$291.70
.6875	11/16	3 13/16	.6719	6 7/32	365444	242.65	365544	284.50
.7031	45/64	3 15/16	.6875	6 11/32	365445	281.60	365545	322.45
.7188	23/32	3 15/16	.7031	6 11/32	365446	271.30	365546	313.05
.7344	47/64	4 1/8	.7188	6 17/32	365447	281.60	365547	322.45
.7500	3/4	4 1/8	.7344	6 17/32	365448	271.30	365548	313.05
.7656	49/64	4 9/32	.7500	6 25/32	365449	281.60	365549	322.45
.7812	25/32	4 9/32	.7656	6 25/32	365450	271.30	365550	313.05
.7969	51/64	4 7/16	.7812	6 15/16	365451	335.30	365551	373.65
.8125	13/16	4 7/16	.7969	6 15/16	365452	323.60	365552	365.15
.8281	53/64	4 19/32	.8125	7 3/32	365453	335.30	365553	373.65
.8438	27/32	4 19/32	.8281	7 3/32	365454	323.60	365554	365.15
.8594	55/64	4 11/16	.8438	7 3/16	365455	335.30	365555	373.65
.8750	7/8	4 11/16	.8594	7 3/16	365456	323.60	365556	365.15
.8906	57/64	4 7/8	.8750	7 3/8	365457	355.65	365557	396.75
.9062	29/32	4 7/8	.8906	7 3/8	365458	344.45	365558	386.15
.9219	59/64	5 1/32	.9062	7 17/32	365459	355.65	365559	396.75
.9375	15/16	5 1/32	.9219	7 17/32	365460	344.45	365560	386.15
.9531	61/64	5 3/16	.9375	7 11/16	365461	376.20	365561	417.15
.9688	31/32	5 3/16	.9531	7 11/16	365462	362.60	365562	404.25
.9844	63/64	5 5/16	.9688	7 13/16	365463	376.20	365563	417.15
1.0000	1	5 5/16	.9844	7 13/16	365464	362.60	365564	404.25
1.0312	1 1/32	5 11/16	1.0000	8 3/16	365466	391.35	365566	433.05
1.0625	1 1/16	5 11/16	1.0000	8 3/16	365468	404.25	365568	446.10
1.0938	1 3/32	5 11/16	1.0000	8 3/16	365470	414.80	365570	456.55
1.1250	1 1/8	5 11/16	1.0000	8 3/16	365472	430.45	365572	472.20
-	-	-	-	-	-	-	-	-

CARBIDE TIPPED COOLANT TWIST DRILLS

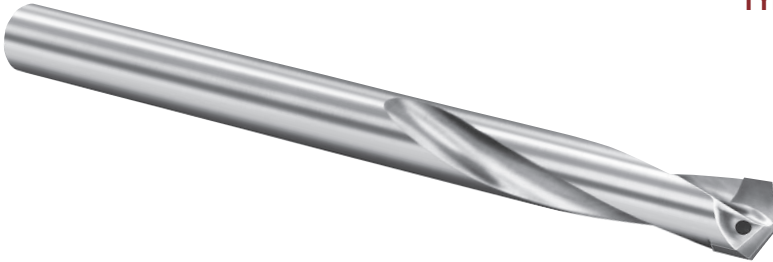
METRIC

TYPE 3654 - 125° 4 FACET POINT - STUB LENGTH

Carbide tip brazed to hardened tool steel bodies with polished right spiral flutes. Self centering point. Shank and body diameters are smaller than tool diameter. Two coolant holes. Heavy web with slow spiral for best rigidity and improved chip removal.

TYPE 3655 - 135° SPLIT POINT - STUB LENGTH

Same as Type 3654 above, except with 135° cam relieved split point.



Tool and shank diameter tolerances: +.000"/-.001".

TOOL DIAMETER		FLUTE LENGTH		SHANK & BODY DIAM.		OVERALL LENGTH		125° 4 FACET POINT		135° SPLIT POINT	
mm	INCH	mm	INCH	mm	INCH	mm	INCH	TYPE 3654 EDP NO.	PRICE EACH	TYPE 3655 EDP NO.	PRICE EACH
6.5	.2559	39	1 17/32	6.0	.2362	100	3 15/16	3654065	\$207.40	3655065	\$243.10
7.0	.2756	40	1 19/32	6.5	.2559	102	4	3654070	220.10	3655070	253.40
7.5	.2953	40	1 19/32	7.0	.2756	102	4	3654075	220.10	3655075	253.40
8.0	.3150	44	1 3/4	7.5	.2953	106	4 5/32	3654080	220.10	3655080	253.40
8.5	.3346	49	1 15/16	8.0	.3150	110	4 11/32	3654085	220.10	3655085	263.65
9.0	.3543	49	1 15/16	8.5	.3346	110	4 11/32	3654090	220.10	3655090	263.65
9.5	.3740	54	2 1/8	9.0	.3543	115	4 17/32	3654095	220.10	3655095	263.65
10.0	.3937	58	2 9/32	9.5	.3740	119	4 11/16	3654100	220.10	3655100	279.00
10.5	.4134	58	2 9/32	10.0	.3937	119	4 11/16	3654105	220.10	3655105	279.00
11.0	.4331	64	2 1/2	10.5	.4134	125	4 29/32	3654110	220.10	3655110	279.00
11.5	.4528	67	2 21/32	11.0	.4331	129	5 1/16	3654115	232.85	3655115	279.00
12.0	.4724	67	2 21/32	11.5	.4528	129	5 1/16	3654120	232.85	3655120	279.00
12.5	.4921	71	2 13/16	12.0	.4724	133	5 7/32	3654125	238.05	3655125	279.00
13.0	.5118	76	3	12.5	.4921	137	5 13/32	3654130	235.35	3655130	279.00
13.5	.5315	76	3	13.0	.5118	137	5 13/32	3654135	235.35	3655135	279.00
14.0	.5512	79	3 1/8	13.5	.5315	140	5 17/32	3654140	235.35	3655140	279.00
14.5	.5709	83	3 9/32	14.0	.5512	144	5 11/16	3654145	253.40	3655145	291.70
15.0	.5906	83	3 9/32	14.5	.5709	144	5 11/16	3654150	253.40	3655150	291.70
15.5	.6102	87	3 7/16	15.0	.5906	148	5 27/32	3654155	253.40	3655155	291.70
16.0	.6299	87	3 7/16	15.5	.6102	148	5 27/32	3654160	253.40	3655160	291.70
16.5	.6496	93	3 21/32	16.0	.6299	154	6 1/16	3654165	253.40	3655165	291.70
17.0	.6693	93	3 21/32	16.5	.6496	154	6 1/16	3654170	253.40	3655170	291.70
17.5	.6890	97	3 13/16	17.0	.6693	158	6 7/32	3654175	253.40	3655175	322.45
18.0	.7087	100	3 15/16	17.5	.6890	161	6 11/32	3654180	281.60	3655180	322.45
18.5	.7283	100	3 15/16	18.0	.7087	161	6 11/32	3654185	281.60	3655185	322.45
19.0	.7480	105	4 1/8	18.5	.7283	166	6 17/32	3654190	281.60	3655190	322.45
19.5	.7677	109	4 9/32	19.0	.7480	172	6 25/32	3654195	281.60	3655195	322.45
20.0	.7874	109	4 9/32	19.5	.7677	172	6 25/32	3654200	281.60	3655200	373.65
20.5	.8071	113	4 7/16	20.0	.7874	176	6 15/16	3654205	335.30	3655205	373.65
21.0	.8268	117	4 19/32	20.5	.8071	180	7 3/32	3654210	335.30	3655210	373.65
21.5	.8465	117	4 19/32	21.0	.8268	180	7 3/32	3654215	335.30	3655215	373.65
22.0	.8661	119	4 11/16	21.5	.8465	183	7 3/16	3654220	335.30	3655220	373.65
22.5	.8858	124	4 7/8	22.0	.8661	187	7 3/8	3654225	355.65	3655225	396.75
23.0	.9055	124	4 7/8	22.5	.8858	187	7 3/8	3654230	355.65	3655230	396.75
23.5	.9252	128	5 1/32	23.0	.9055	191	7 17/32	3654235	355.65	3655235	396.75
24.0	.9449	132	5 3/16	23.5	.9252	195	7 11/16	3654240	376.20	3655240	417.15
24.5	.9646	132	5 3/16	24.0	.9449	195	7 11/16	3654245	376.20	3655245	417.15
25.0	.9843	135	5 3/16	24.5	.9646	198	7 13/16	3654250	376.20	3655250	417.15
26.0	1.0236	144	5 11/16	25.5	1.0039	208	8 3/16	3654260	404.25	3655260	445.40

CARBIDE TIPPED CORE DRILLS FOR NON-FERROUS & CAST IRON

TYPE 3620 - FOUR SPIRAL FLUTES - STRAIGHT SHANK

TYPE 3622 - FOUR SPIRAL FLUTES - TAPER SHANK

Carbide tips brazed to hardened tool steel bodies. Right spiral flutes with 118° included chamfer angle.

Core drills, with increased flute capacity, remove more material from a cored or cast hole than a reamer. This often eliminates a final reaming or boring operation. Types 3620 and 3622 core drills are specifically designed for cast iron, non-ferrous and high temperature alloy applications. For steel applications, refer to Types 3621 and 3623 on pages 148 & 149.



Tool and shank diameter tolerances: +.000"/-.001".

TOOL DIAMETER		MIN. CUT DIAM.	LENGTH			TYPE 3620		TYPE 3622		BOTH TYPES PRICE	DECIMAL SIZE RANGE	PRICE EACH - FINISHED TO DECIMAL SIZE					
DEC.	FRACTIONAL		FLT	CARB	OAL	SHANK DIAM.	EDP NO.	MORSE TAPER	EDP NO.			1 PC.	2 PC.	3 PC.	4 PC.	5-7	8-14**
.3750	3/8*	.262	3 1/2	5/8	6 3/4	3/8	362012	1	362212	\$124.95	.3471 - .3780	\$170.60	\$147.65	\$140.10	\$136.45	\$132.45	\$129.50
.4062	13/32*	.284	3 5/8	5/8	7	13/32	362013	1	362213	124.95	.3781 - .4090	170.60	147.65	140.10	136.45	132.45	129.50
.4375	7/16*	.306	3 7/8	3/4	7 1/4	7/16	362014	1	362214	124.95	.4091 - .4410	170.60	147.65	140.10	136.45	132.45	129.50
.4688	15/32*	.328	4 1/8	3/4	7 1/2	15/32	362015	1	362215	124.95	.4411 - .4720	170.60	147.65	140.10	136.45	132.45	129.50
.5000	1/2	.350	4 3/8	3/4	8 1/4	1/2	362016	2	362216	124.95	.4721 - .5030	170.60	147.65	140.10	136.45	132.45	129.50
.5312	17/32	.372	4 3/8	3/4	8 1/4	17/32	362017	2	362217	125.45	.5031 - .5340	171.25	148.35	140.55	136.95	133.05	129.90
.5625	9/16	.394	4 3/8	3/4	8 1/4	9/16	362018	2	362218	125.45	.5341 - .5660	171.25	148.35	140.55	136.95	133.05	129.90
.5938	19/32	.416	4 3/8	3/4	8 1/4	19/32	362019	2	362219	131.70	.5661 - .5970	177.40	154.50	146.90	143.20	139.35	136.30
.6250	5/8	.438	4 3/8	3/4	8 1/4	5/8	362020	2	362220	131.70	.5971 - .6280	177.40	154.50	146.90	143.20	139.35	136.30
.6562	21/32	.459	4 3/8	3/4	8 1/4	21/32	362021	2	362221	133.25	.6281 - .6590	178.95	156.10	148.45	144.75	141.00	137.85
.6875	11/16	.481	4 3/8	7/8	8 1/4	11/16	362022	2	362222	134.45	.6591 - .6910	180.15	157.30	149.60	145.95	142.10	138.90
.7188	23/32	.503	4 3/8	7/8	8 1/4	23/32	362023	2	362223	134.45	.6911 - .7220	180.15	157.30	149.60	145.95	142.10	138.90
.7500	3/4	.525	4 3/8	7/8	8 1/4	3/4	362024	2	362224	134.45	.7221 - .7530	180.15	157.30	149.60	145.95	142.10	138.90
.7812	25/32	.547	4 3/8	7/8	8 1/4	25/32	362025	2	362225	137.40	.7531 - .7840	183.15	160.20	152.65	149.00	145.05	141.95
.8125	13/16	.569	4 7/8	7/8	9 1/2	13/16	362026	3	362226	141.30	.7841 - .8160	187.00	164.05	156.40	152.80	148.75	145.80
.8438	27/32	.591	4 7/8	7/8	9 1/2	27/32	362027	3	362227	148.75	.8161 - .8470	194.55	171.60	164.00	160.25	156.40	153.30
.8750	7/8	.612	4 7/8	7/8	9 1/2	7/8	362028	3	362228	148.75	.8471 - .8780	194.55	171.60	164.00	160.25	156.40	153.30
.9062	29/32	.634	4 7/8	7/8	9 1/2	29/32	362029	3	362229	149.75	.8781 - .9090	195.45	172.60	164.85	161.30	157.40	154.25
.9375	15/16	.656	4 7/8	7/8	9 1/2	15/16	362030	3	362230	149.75	.9091 - .9410	195.45	172.60	164.85	161.30	157.40	154.25
.9688	31/32	.678	4 7/8	7/8	9 1/2	31/32	362031	3	362231	155.30	.9411 - .9720	200.95	178.00	170.45	166.80	162.80	159.85
1.0000	1	.700	4 7/8	7/8	9 1/2	1	362032	3	362232	158.20	.9721 - 1.0030	203.90	181.05	173.25	169.70	165.75	162.65
1.0312	1 1/32	.722	4 7/8	7/8	9 1/2	1 1/32	362033	3	362233	159.55	1.0031 - 1.0340	205.15	182.25	174.65	170.95	167.10	164.00
1.0625	1 1/16	.744	4 7/8	7/8	9 1/2	1 1/16	362034	3	362234	161.70	1.0341 - 1.0660	207.45	184.55	176.90	173.20	169.25	166.20
1.0938	1 3/32	.766	4 7/8	1	10 1/2	1 3/32	362035	4	362235	188.40	1.0661 - 1.0970	234.05	211.15	203.45	199.90	195.95	192.85
1.1250	1 1/8	.787	4 7/8	1	10 1/2	1 1/8	362036	4	362236	188.40	1.0971 - 1.1280	234.05	211.15	203.45	199.90	195.95	192.85
1.1562	1 1/32	.809	4 7/8	1	10 1/2	1 1/32	362037	4	362237	205.70	1.1281 - 1.1590	251.30	228.45	220.80	217.20	213.25	210.15
1.1875	1 3/16	.831	4 7/8	1	10 1/2	1 3/16	362038	4	362238	211.60	1.1591 - 1.1905	257.25	234.45	226.75	223.10	219.25	216.15
1.2188	1 7/32	.853	4 7/8	1	10 1/2	1 7/32	362039	4	362239	212.35	1.1906 - 1.2220	258.05	235.15	227.55	223.85	219.95	216.90
1.2500	1 1/4	.875	4 7/8	1	10 1/2	1 1/4	362040	4	362240	213.25	1.2221 - 1.2530	258.95	236.05	228.40	224.70	220.80	217.70
1.2812	1 9/32	.897	4 7/8	1	10 1/2	1 9/32	362041	4	362241	228.45	1.2531 - 1.2840	274.15	251.25	243.65	239.90	236.05	232.90
1.3125	1 5/16	.919	4 7/8	1	10 1/2	1 5/16	362042	4	362242	234.85	1.2841 - 1.3150	280.55	257.70	249.90	246.35	242.40	239.30
1.3438	1 11/32	.940	4 7/8	1	10 1/2	1 11/32	362043	4	362243	239.75	1.3151 - 1.3470	285.45	262.60	254.90	251.25	247.40	244.20
1.3750	1 3/8	.962	4 7/8	1	10 1/2	1 3/8	362044	4	362244	245.55	1.3471 - 1.3780	291.25	268.40	260.65	257.05	253.15	250.00
1.4062	1 13/32	.984	4 7/8	1	10 1/2	1 13/32	362045	4	362245	251.15	1.3781 - 1.4090	296.85	274.00	266.30	262.65	258.75	255.60
1.4375	1 7/16	1.006	4 7/8	1	10 1/2	1 7/16	362046	4	362246	258.50	1.4091 - 1.4410	304.20	281.35	273.65	270.00	266.15	262.95
1.4688	1 15/32	1.025	4 7/8	1	10 1/2	1 15/32	362047	4	362247	266.25	1.4411 - 1.4720	311.85	288.95	281.35	277.75	273.70	270.75
1.5000	1 1/2	1.050	4 7/8	1	10 1/2	1 1/2	362048	4	362248	271.95	1.4721 - 1.5030	317.60	294.65	287.10	283.45	279.45	276.45

CARBIDE TIPPED CORE DRILLS FOR NON-FERROUS & CAST IRON

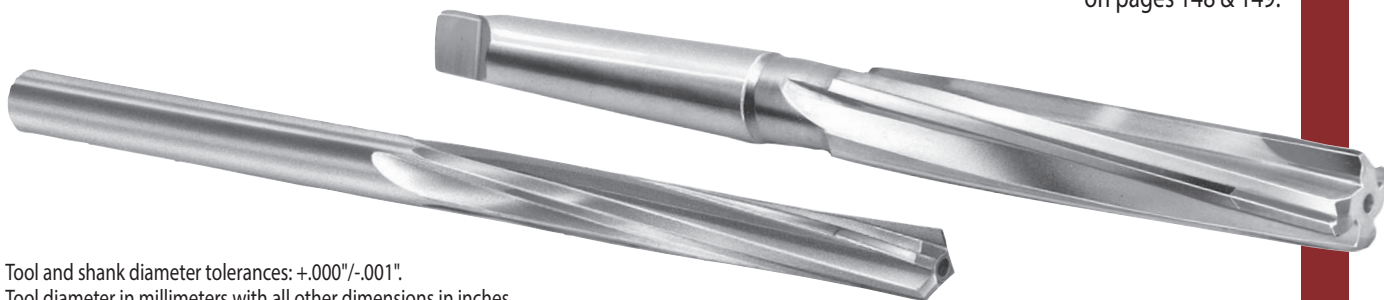
METRIC

TYPE 3620 - FOUR SPIRAL FLUTES - STRAIGHT SHANK

TYPE 3622 - FOUR SPIRAL FLUTES - TAPER SHANK

Carbide tips brazed to hardened tool steel bodies. Right spiral flutes with 118° included chamfer angle.

Core drills, with increased flute capacity, remove more material from a cored or cast hole than a reamer. This often eliminates a final reaming or boring operation. Types 3620 and 3622 core drills are specifically designed for cast iron, non-ferrous and high temperature alloy applications. For steel applications, refer to Types 3621 and 3623 on pages 148 & 149.



Tool and shank diameter tolerances: +.000"/-.001".

Tool diameter in millimeters with all other dimensions in inches.

TOOL DIAMETER		MIN. CUT DIAM.	LENGTH			TYPE 3620		TYPE 3622		BOTH TYPES PRICE	METRIC SIZE RANGE	PRICE EACH - FINISHED TO METRIC SIZE						
mm	INCH		FLT	CARB	OAL	SHANK DIAM.	EDP NO.	MORSE TAPER	EDP NO.			1 PC.	2 PC.	3 PC.	4 PC.	5-7	8-14	15+
9.0*	.3543	.262	3 1/2	5/8	6 3/4	3/8	3620090	1	3622090	\$140.10	8.815-9.601	\$174.45	\$151.65	\$143.95	\$140.25	\$136.45	\$133.20	\$128.80
10.0*	.3937	.284	3 3/8	5/8	7	13/32	3620100	1	3622100	140.10	9.602-10.389	174.45	151.65	143.95	140.25	136.45	133.20	128.80
11.0*	.4331	.306	3 7/8	3/4	7 1/4	7/16	3620110	1	3622110	140.10	10.390-11.201	174.45	151.65	143.95	140.25	136.45	133.20	128.80
-*	-	.328	4 1/8	3/4	7 1/2	15/32	3620119	1	3622119	-	11.202-11.989	174.45	151.65	143.95	140.25	136.45	133.20	128.80
12.0	.4724	.350	4 3/8	3/4	8 1/4	1/2	3620120	2	3622120	140.10	11.990-12.776	174.45	151.65	143.95	140.25	136.45	133.20	128.80
13.0	.5118	.372	4 3/8	3/4	8 1/4	17/32	3620130	2	3622130	140.55	12.777-13.564	174.95	152.25	144.55	140.90	136.95	133.85	129.50
14.0	.5512	.394	4 3/8	3/4	8 1/4	9/16	3620140	2	3622140	140.55	13.565-14.376	174.95	152.25	144.55	140.90	136.95	133.85	129.50
15.0	.5906	.416	4 3/8	3/4	8 1/4	19/32	3620150	2	3622150	146.90	14.377-15.164	181.25	158.50	150.85	147.05	143.20	140.10	135.65
-	-	.438	4 3/8	3/4	8 1/4	5/8	3620159	2	3622159	-	15.165-15.951	181.25	158.50	150.85	147.05	143.20	140.10	135.65
16.0	.6299	.459	4 3/8	3/4	8 1/4	21/32	3620160	2	3622160	148.45	15.952-16.739	182.90	160.05	152.40	148.60	144.75	141.55	137.25
17.0	.6693	.481	4 3/8	7/8	8 1/4	11/16	3620170	2	3622170	149.60	16.740-17.551	184.00	161.15	153.45	149.75	145.95	142.75	138.30
18.0	.7087	.503	4 3/8	7/8	8 1/4	23/32	3620180	2	3622180	149.60	17.552-18.339	184.00	161.15	153.45	149.75	145.95	142.75	138.30
19.0	.7480	.525	4 3/8	7/8	8 1/4	3/4	3620190	2	3622190	149.60	18.340-19.126	184.00	161.15	153.45	149.75	145.95	142.75	138.30
-	-	.547	4 3/8	7/8	8 1/4	25/32	3620199	2	3622199	-	19.127-19.914	187.00	164.20	156.55	152.80	149.00	145.80	141.35
20.0	.7874	.569	4 7/8	7/8	9 1/2	13/16	3620200	3	3622200	156.40	19.915-20.726	190.75	168.05	160.25	156.65	152.80	149.60	145.20
21.0	.8268	.591	4 7/8	7/8	9 1/2	27/32	3620210	3	3622210	164.00	20.727-21.514	198.40	175.55	167.90	164.20	160.25	157.25	152.80
22.0	.8661	.612	4 7/8	7/8	9 1/2	7/8	3620220	3	3622220	164.00	21.515-22.301	198.40	175.55	167.90	164.20	160.25	157.25	152.80
23.0	.9055	.634	4 7/8	7/8	9 1/2	29/32	3620230	3	3622230	164.85	22.302-23.089	199.30	176.45	168.90	165.00	161.30	158.10	153.75
-	-	.656	4 7/8	7/8	9 1/2	15/16	3620239	3	3622239	-	23.090-23.901	199.30	176.45	168.90	165.00	161.30	158.10	153.75
24.0	.9449	.678	4 7/8	7/8	9 1/2	31/32	3620240	3	3622240	170.45	23.902-24.689	204.80	182.00	174.35	170.60	166.80	163.55	159.15
25.0	.9843	.700	4 7/8	7/8	9 1/2	1	3620250	3	3622250	173.25	24.690-25.476	207.75	184.90	177.25	173.55	169.70	166.50	162.15
26.0	1.0236	.722	4 7/8	7/8	9 1/2	1 1/32	3620260	3	3622260	174.65	25.477-26.264	209.00	186.15	178.60	174.80	170.95	167.85	163.40
27.0	1.0630	.744	4 7/8	7/8	9 1/2	1 1/16	3620270	3	3622270	176.90	26.265-27.076	211.30	188.45	180.75	177.10	173.20	170.05	165.70
-	-	.766	4 7/8	1	10 1/2	1 3/32	3620279	4	3622279	-	27.077-27.864	237.90	215.05	207.45	203.60	199.90	196.65	192.35
28.0	1.1024	.787	4 7/8	1	10 1/2	1 1/8	3620280	4	3622280	203.45	27.865-28.651	237.90	215.05	207.45	203.60	199.90	196.65	192.35
29.0	1.1417	.809	4 7/8	1	10 1/2	1 5/32	3620290	4	3622290	220.80	28.652-29.439	255.15	232.40	224.70	220.95	217.20	213.90	209.55
30.0	1.1811	.831	4 7/8	1	10 1/2	1 3/16	3620300	4	3622300	226.75	29.440-30.239	261.20	238.35	230.75	226.90	223.10	219.95	215.65
31.0	1.2205	.853	4 7/8	1	10 1/2	1 7/32	3620310	4	3622310	227.55	30.240-31.039	261.95	239.15	231.50	227.70	223.85	220.65	216.30
-	-	.875	4 7/8	1	10 1/2	1 1/4	3620319	4	3622319	-	31.040-31.826	262.75	239.90	232.30	228.60	224.70	221.55	217.20
32.0	1.2598	.897	4 7/8	1	10 1/2	1 9/32	3620320	4	3622320	243.65	31.827-32.614	278.05	255.15	247.55	243.80	239.90	236.75	232.40
33.0	1.2992	.919	4 7/8	1	10 1/2	1 5/16	3620330	4	3622330	249.90	32.615-33.401	284.25	261.50	253.85	250.05	246.35	243.15	238.80
34.0	1.3386	.940	4 7/8	1	10 1/2	1 11/32	3620340	4	3622340	254.90	33.402-34.214	289.40	266.55	258.90	255.10	251.25	248.05	243.75
35.0	1.3780	.962	4 7/8	1	10 1/2	1 3/8	3620350	4	3622350	260.65	34.215-35.001	295.15	272.30	264.65	260.90	257.05	253.85	249.55
-	-	.984	4 7/8	1	10 1/2	1 13/32	3620359	4	3622359	-	35.002-35.789	300.65	277.95	270.15	266.55	262.65	259.50	255.10
36.0	1.4173	1.006	4 7/8	1	10 1/2	1 7/16	3620360	4	3622360	273.65	35.790-36.601	308.10	285.20	277.65	273.80	270.00	266.80	262.50
37.0	1.4567	1.025	4 7/8	1	10 1/2	1 15/32	3620370	4	3622370	281.35	36.602-37.389	315.70	292.95	285.20	281.50	277.75	274.45	270.10
38.0	1.4961	1.050	4 7/8	1	10 1/2	1 1/2	3620380	4	3622380	287.10	37.390-38.176	321.45	298.65	291.00	287.25	283.45	280.20	275.80

CARBIDE TIPPED CORE DRILLS FOR STEEL

TYPE 3621 - FOUR SPIRAL FLUTES - STRAIGHT SHANK

TYPE 3623 - FOUR SPIRAL FLUTES - TAPER SHANK

Carbide tips brazed to hardened tool steel bodies. Right spiral flutes with 118° included chamfer angle.

Core drills, with increased flute capacity, remove more material from a cored or cast hole than a reamer. This often eliminates a final reaming or boring operation. Types 3621 and 3623 core drills are specifically designed for steel applications. For cast iron non-ferrous and high temperature alloy applications, refer to Types 3620 and 3622 on pages 146 and 147.



Tool and shank diameter tolerances: +.000"/-.001".

TOOL DIAMETER		MIN. CUT DIAM.	LENGTH			TYPE 3621		TYPE 3623		BOTH TYPES PRICE	DECIMAL SIZE RANGE	PRICE EACH - FINISHED TO DECIMAL SIZE					
DEC.	FRACTIONAL		FLT	CARB	OAL	SHANK DIAM.	EDP NO.	MORSE TAPER	EDP NO.			1 PC.	2 PC.	3 PC.	4 PC.	5-7	8-14**
.3750	3/8*	.262	3 1/2	5/8	6 3/4	3/8	362112	1	362312	\$137.55	.3471 - .3780	\$183.25	160.25	152.70	\$149.05	\$145.15	\$142.10
.4062	13/32*	.284	3 5/8	5/8	7	13/32	362113	1	362313	137.55	.3781 - .4090	183.25	160.25	152.70	149.05	145.15	142.10
.4375	7/16*	.306	3 7/8	3/4	7 1/4	7/16	362114	1	362314	137.55	.4091 - .4410	183.25	160.25	152.70	149.05	145.15	142.10
.4688	15/32*	.328	4 1/8	3/4	7 1/2	15/32	362115	1	362315	137.55	.4411 - .4720	183.25	160.25	152.70	149.05	145.15	142.10
.5000	1/2	.350	4 3/8	3/4	8 1/4	1/2	362116	2	362316	137.55	.4721 - .5030	183.25	160.25	152.70	149.05	145.15	142.10
.5312	17/32	.372	4 3/8	3/4	8 1/4	17/32	362117	2	362317	138.00	.5031 - .5340	183.65	160.85	153.15	149.50	145.60	142.55
.5625	9/16	.394	4 3/8	3/4	8 1/4	9/16	362118	2	362318	138.00	.5341 - .5660	183.65	160.85	153.15	149.50	145.60	142.55
.5938	19/32	.416	4 3/8	3/4	8 1/4	19/32	362119	2	362319	145.05	.5661 - .5970	190.70	167.85	160.10	156.55	152.65	149.50
.6250	5/8	.438	4 3/8	3/4	8 1/4	5/8	362120	2	362320	145.05	.5971 - .6280	190.70	167.85	160.10	156.55	152.65	149.50
.6562	21/32	.459	4 3/8	3/4	8 1/4	21/32	362121	2	362321	146.70	.6281 - .6590	192.35	169.30	161.70	158.10	154.20	151.05
.6875	11/16	.481	4 3/8	7/8	8 1/4	11/16	362122	2	362322	147.95	.6591 - .6910	193.60	170.65	163.10	159.40	155.50	152.40
.7188	23/32	.503	4 3/8	7/8	8 1/4	23/32	362123	2	362323	147.95	.6911 - .7220	193.60	170.65	163.10	159.40	155.50	152.40
.7500	3/4	.525	4 3/8	7/8	8 1/4	3/4	362124	2	362324	147.95	.7221 - .7530	193.60	170.65	163.10	159.40	155.50	152.40
.7812	25/32	.547	4 3/8	7/8	8 1/4	25/32	362125	2	362325	151.05	.7531 - .7840	196.70	173.90	166.20	162.55	158.65	155.60
.8125	13/16	.569	4 7/8	7/8	9 1/2	13/16	362126	3	362326	155.35	.7841 - .8160	201.00	178.25	170.50	166.95	163.00	159.90
.8438	27/32	.591	4 7/8	7/8	9 1/2	27/32	362127	3	362327	163.75	.8161 - .8470	209.40	186.55	178.80	175.20	171.35	168.20
.8750	7/8	.612	4 7/8	7/8	9 1/2	7/8	362128	3	362328	163.75	.8471 - .8780	209.40	186.55	178.80	175.20	171.35	168.20
.9062	29/32	.634	4 7/8	7/8	9 1/2	29/32	362129	3	362329	164.70	.8781 - .9090	210.45	187.60	179.85	176.20	172.35	169.20
.9375	15/16	.656	4 7/8	7/8	9 1/2	15/16	362130	3	362330	164.70	.9091 - .9410	210.45	187.60	179.85	176.20	172.35	169.20
.9688	31/32	.678	4 7/8	7/8	9 1/2	31/32	362131	3	362331	170.75	.9411 - .9720	216.45	193.60	185.95	182.25	178.45	175.35
1.0000	1	.700	4 7/8	7/8	9 1/2	1	362132	3	362332	174.05	.9721 - 1.0030	219.70	196.95	189.20	185.55	181.70	178.60
1.0312	1 1/32	.722	4 7/8	7/8	9 1/2	1 1/32	362133	3	362333	175.40	1.0031 - 1.0340	221.05	198.20	190.45	186.90	183.00	179.85
1.0625	1 1/16	.744	4 7/8	7/8	9 1/2	1 1/16	362134	3	362334	177.80	1.0341 - 1.0660	223.50	200.65	192.90	189.30	185.45	182.25
1.0938	1 3/32	.766	4 7/8	1	10 1/2	1 3/32	362135	4	362335	207.15	1.0661 - 1.0970	252.80	229.95	222.25	218.65	214.75	211.60
1.1250	1 1/8	.787	4 7/8	1	10 1/2	1 1/8	362136	4	362336	216.50	1.0971 - 1.1280	262.30	239.35	231.75	228.00	224.15	221.05
1.1562	1 1/32	.809	4 7/8	1	10 1/2	1 1/32	362137	4	362337	226.25	1.1281 - 1.1590	271.95	249.00	241.35	237.75	233.75	230.75
1.1875	1 3/16	.831	4 7/8	1	10 1/2	1 3/16	362138	4	362338	232.75	1.1591 - 1.1905	278.45	255.60	248.00	244.25	240.50	237.35
1.2188	1 7/32	.853	4 7/8	1	10 1/2	1 7/32	362139	4	362339	233.65	1.1906 - 1.2220	279.35	256.50	248.85	245.15	241.30	238.20
1.2500	1 1/4	.875	4 7/8	1	10 1/2	1 1/4	362140	4	362340	234.55	1.2221 - 1.2530	280.20	257.25	249.70	246.05	242.10	239.05
1.2812	1 9/32	.897	4 7/8	1	10 1/2	1 9/32	362141	4	362341	251.25	1.2531 - 1.2840	296.95	274.10	266.40	262.75	258.90	255.70
1.3125	1 5/16	.919	4 7/8	1	10 1/2	1 5/16	362142	4	362342	258.20	1.2841 - 1.3150	303.90	281.05	273.45	269.80	265.85	262.75
1.3438	1 11/32	.940	4 7/8	1	10 1/2	1 11/32	362143	4	362343	263.80	1.3151 - 1.3470	309.50	286.55	278.90	275.30	271.30	268.30
1.3750	1 3/8	.962	4 7/8	1	10 1/2	1 3/8	362144	4	362344	270.10	1.3471 - 1.3780	315.80	292.95	285.20	281.60	277.75	274.55
1.4062	1 13/32	.984	4 7/8	1	10 1/2	1 13/32	362145	4	362345	276.45	1.3781 - 1.4090	322.10	299.15	291.55	287.90	283.95	280.85
1.4375	1 7/16	1.006	4 7/8	1	10 1/2	1 7/16	362146	4	362346	284.50	1.4091 - 1.4410	330.20	307.20	299.55	295.90	292.05	288.85
1.4688	1 15/32	1.025	4 7/8	1	10 1/2	1 15/32	362147	4	362347	292.85	1.4411 - 1.4720	338.55	315.65	308.00	304.35	300.35	297.30
1.5000	1 1/2	1.050	4 7/8	1	10 1/2	1 1/2	362148	4	362348	299.05	1.4721 - 1.5030	344.75	321.90	314.25	310.60	306.75	303.65

LEXINGTON CUTTER, INC. • sales@lexingtoncutter.com • Phone 800-882-2627 • Fax 800-882-3637

CARBIDE TIPPED CORE DRILLS FOR STEEL

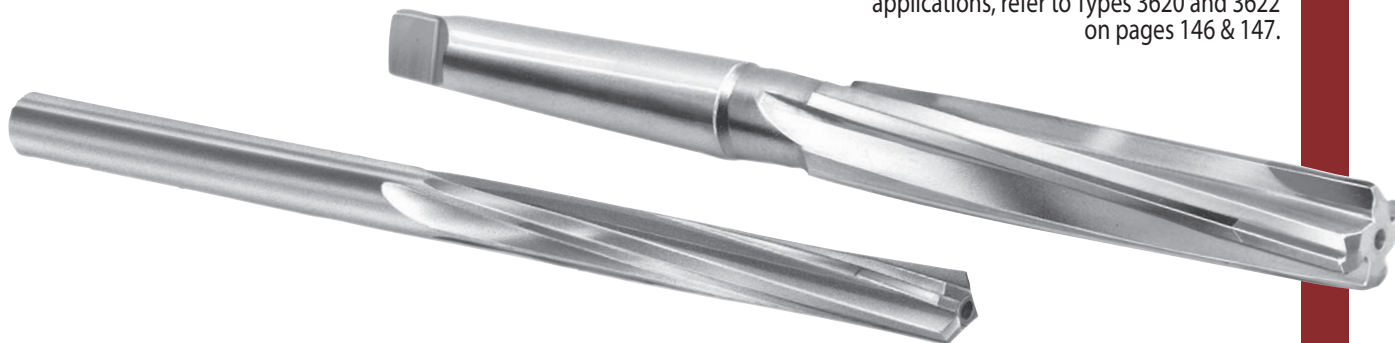
METRIC

TYPE 3621 - FOUR SPIRAL FLUTES - STRAIGHT SHANK

TYPE 3623 - FOUR SPIRAL FLUTES - TAPER SHANK

Carbide tips brazed to hardened tool steel bodies. Right spiral flutes with 118° included chamfer angle.

Core drills, with increased flute capacity, remove more material from a cored or cast hole than a reamer. This often eliminates a final reaming or boring operation. Types 3621 and 3623 core drills are specifically designed for steel applications. For cast iron, non-ferrous and high temperature alloy applications, refer to Types 3620 and 3622 on pages 146 & 147.



Tool and shank diameter tolerances: +.000"/-.001"

Tool diameter in millimeters with all other dimensions in inches.

TOOL DIAMETER		MIN. CUT DIAM.	LENGTH			TYPE 3621		TYPE 3623		BOTH TYPES PRICE	METRIC SIZE RANGE	PRICE EACH - FINISHED TO METRIC SIZE						
mm	INCH		FLT	CARB	OAL	SHANK DIAM.	EDP NO.	MORSE TAPER	EDP NO.			1 PC.	2 PC.	3 PC.	4 PC.	5-7	8-14	15+
9.0*	.3543	.262	3 1/2	5/8	6 3/4	3/8	3621090	1	3623090	\$152.70	8.815 - 9.601	\$187.05	\$164.30	\$156.65	\$152.85	\$149.05	\$145.90	\$141.45
10.0*	.3937	.284	3 5/8	5/8	7	13/32	3621100	1	3623100	152.70	9.602 - 10.389	187.05	164.30	156.65	152.85	149.05	145.90	141.45
11.0*	.4331	.306	3 7/8	3/4	7 1/4	7/16	3621110	1	3623110	152.70	10.390 - 11.201	187.05	164.30	156.65	152.85	149.05	145.90	141.45
-*	-	.328	4 1/8	3/4	7 1/2	15/32	3621119	1	3623119	-	11.202 - 11.989	187.05	164.30	156.65	152.85	149.05	145.90	141.45
12.0	.4724	.350	4 3/8	3/4	8 1/4	1/2	3621120	2	3623120	152.70	11.990 - 12.776	187.05	164.30	156.65	152.85	149.05	145.90	141.45
13.0	.5118	.372	4 3/8	3/4	8 1/4	17/32	3621130	2	3623130	153.15	12.777 - 13.564	187.60	164.70	157.00	153.30	149.50	146.25	141.95
14.0	.5512	.394	4 3/8	3/4	8 1/4	9/16	3621140	2	3623140	153.15	13.565 - 14.376	187.60	164.70	157.00	153.30	149.50	146.25	141.95
15.0	.5906	.416	4 3/8	3/4	8 1/4	19/32	3621150	2	3623150	160.10	14.377 - 15.164	194.55	171.70	164.05	160.25	156.55	153.30	149.00
-	-	.438	4 3/8	3/4	8 1/4	5/8	3621159	2	3623159	-	15.165 - 15.951	194.55	171.70	164.05	160.25	156.55	153.30	149.00
16.0	.6299	.459	4 3/8	3/4	8 1/4	21/32	3621160	2	3623160	161.70	15.952 - 16.739	196.10	173.25	165.70	161.90	158.10	154.95	150.50
17.0	.6693	.481	4 3/8	7/8	8 1/4	11/16	3621170	2	3623170	163.10	16.740 - 17.551	197.45	174.65	167.00	163.25	159.40	156.20	151.80
18.0	.7087	.503	4 3/8	7/8	8 1/4	23/32	3621180	2	3623180	163.10	17.552 - 18.339	197.45	174.65	167.00	163.25	159.40	156.20	151.80
19.0	.7480	.525	4 3/8	7/8	8 1/4	3/4	3621190	2	3623190	163.10	18.340 - 19.126	197.45	174.65	167.00	163.25	159.40	156.20	151.80
-	-	.547	4 3/8	7/8	8 1/4	25/32	3621199	2	3623199	-	19.127 - 19.914	200.65	177.80	170.20	166.35	162.55	159.40	155.10
20.0	.7874	.569	4 7/8	7/8	9 1/2	13/16	3621200	3	3623200	170.50	19.915 - 20.726	204.85	182.10	174.45	170.65	166.95	163.75	159.25
21.0	.8268	.591	4 7/8	7/8	9 1/2	27/32	3621210	3	3623210	178.80	20.727 - 21.514	213.25	190.40	182.75	178.95	175.20	172.00	167.60
22.0	.8661	.612	4 7/8	7/8	9 1/2	7/8	3621220	3	3623220	178.80	21.515 - 22.301	213.25	190.40	182.75	178.95	175.20	172.00	167.60
23.0	.9055	.634	4 7/8	7/8	9 1/2	29/32	3621230	3	3623230	179.85	22.302 - 23.089	214.30	191.50	183.70	180.10	176.20	173.05	168.65
-	-	.656	4 7/8	7/8	9 1/2	15/16	3621239	3	3623239	-	23.090 - 23.901	214.30	191.50	183.70	180.10	176.20	173.05	168.65
24.0	.9449	.678	4 7/8	7/8	9 1/2	31/32	3621240	3	3623240	185.95	23.902 - 24.689	220.35	197.50	189.95	186.10	182.25	179.05	174.75
25.0	.9843	.700	4 7/8	7/8	9 1/2	1	3621250	3	3623250	189.20	24.690 - 25.476	223.55	200.80	193.15	189.35	185.55	182.30	177.95
26.0	1.0236	.722	4 7/8	7/8	9 1/2	1 1/32	3621260	3	3623260	190.45	25.477 - 26.264	224.95	202.10	194.40	190.70	186.90	183.65	179.35
27.0	1.0630	.744	4 7/8	7/8	9 1/2	1 1/16	3621270	3	3623270	192.90	26.265 - 27.076	227.40	204.55	196.95	193.15	189.30	186.10	181.80
-	-	.766	4 7/8	1	10 1/2	1 3/32	3621279	4	3623279	-	27.077 - 27.864	256.75	233.90	226.25	222.45	218.65	215.40	211.10
28.0	1.1024	.787	4 7/8	1	10 1/2	1 1/8	3621280	4	3623280	231.75	27.865 - 28.651	266.15	243.30	235.65	231.95	228.00	224.95	220.50
29.0	1.1417	.809	4 7/8	1	10 1/2	1 5/32	3621290	4	3623290	241.35	28.652 - 29.439	275.75	252.95	245.30	241.60	237.75	234.55	230.15
30.0	1.1811	.831	4 7/8	1	10 1/2	1 3/16	3621300	4	3623300	248.00	29.440 - 30.239	282.40	259.55	252.00	248.10	244.25	241.10	236.75
31.0	1.2205	.853	4 7/8	1	10 1/2	1 7/32	3621310	4	3623310	248.85	30.240 - 31.039	283.15	260.45	252.75	249.00	245.15	242.05	237.60
-	-	.875	4 7/8	1	10 1/2	1 1/4	3621319	4	3623319	-	31.040 - 31.826	284.05	261.25	253.60	249.85	246.05	242.80	238.40
32.0	1.2598	.897	4 7/8	1	10 1/2	1 9/32	3621320	4	3623320	266.40	31.827 - 32.614	300.90	278.05	270.25	266.60	262.75	259.55	255.15
33.0	1.2992	.919	4 7/8	1	10 1/2	1 5/16	3621330	4	3623330	273.45	32.615 - 33.401	307.80	285.00	277.30	273.60	269.80	266.60	262.15
34.0	1.3386	.940	4 7/8	1	10 1/2	1 11/32	3621340	4	3623340	278.90	33.402 - 34.214	313.25	290.50	282.85	279.15	275.30	272.10	267.70
35.0	1.3780	.962	4 7/8	1	10 1/2	1 3/8	3621350	4	3623350	285.20	34.215 - 35.001	319.75	296.85	289.25	285.45	281.60	278.40	274.10
-	-	.984	4 7/8	1	10 1/2	1 13/32	3621359	4	3623359	-	35.002 - 35.789	325.90	303.10	295.45	291.70	287.90	284.70	280.25
36.0	1.4173	1.006	4 7/8	1	10 1/2	1 7/16	3621360	4	3623360	299.55	35.790 - 36.601	333.95	311.10	303.50	299.75	295.90	292.80	288.35
37.0	1.4567	1.025	4 7/8	1	10 1/2	1 15/32	3621370	4	3623370	308.00	36.602 - 37.389	342.30	319.65	311.85	308.25	304.35	301.20	296.80
38.0	1.4961	1.050	4 7/8	1	10 1/2	1 1/2	3621380	4	3623380	314.25	37.390 - 38.176	348.60	325.80	318.15	314.40	310.60	307.40	302.95

Phone 941-739-2726 • Fax 941-739-2827 • www.lexingtoncutter.com • LEXINGTON CUTTER, INC.

*3 flutes.

CARBIDE TIPPED REDUCED SHANK DIAMETER DRILLS

STUB LENGTH, JOBBERS LENGTH & HARD STEEL DIE DRILLS
1/4", 3/8", 1/2" OR 3/4" SHANK DIAMETER

For use in a wide variety of drill chuck diameters.



SHANK DIAM.	TOOL DIAMETER		STUB LENGTH DRILLS (see page 134)						JOBBER'S LENGTH DRILLS (see page 130)						HARD STEEL DIE DRILLS (see page 138)			
	DECIMAL	FRAC.	OVERALL LENGTH	118° PT.		135° PT.		OVERALL LENGTH	118° PT.		135° PT.		OVERALL LENGTH	NEG. 118° PT. EDP NO.	POS. 118° PT. EDP NO.	PRICE EACH		
				TYPE 3640 EDP NO.	PRICE EACH	TYPE 3641 EDP NO.	PRICE EACH		TYPE 3600 EDP NO.	PRICE EACH	TYPE 3601 EDP NO.	PRICE EACH						
1/4	.2812	9/32	2 1/16	3640618	\$37.90	3641618	\$44.00	4 1/4	3600618	\$37.55	3601618	\$43.50	-	-	-	-		
	.3125	5/16	2 13/16	3640620	40.30	3641620	46.80	4 1/2	3600620	40.60	3601620	47.20	4 1/2	3670620	3672620	\$61.45		
	.3438	11/32	3	3640622	46.90	3641622	54.30	4 3/4	3600622	43.10	3601622	50.15	4 3/4	3670622	3672622	65.45		
	.3750	3/8	3 1/8	3640624	48.10	3641624	55.80	5	3600624	45.85	3601624	53.35	5	3670624	3672624	70.35		
	.4062	13/32	3 5/16	3640626	57.00	3641626	66.35	5 1/4	3600626	49.85	3601626	58.00	5 1/4	3670626	3672626	82.45		
	.4375	7/16	3 7/16	3640628	60.90	3641628	67.60	5 1/2	3600628	54.25	3601628	63.00	5 1/2	3670628	3672628	95.55		
	.4688	15/32	3 5/8	3640630	86.75	3641630	100.85	5 3/4	3600630	61.05	3601630	70.65	5 3/4	3670630	3672630	104.90		
	.5000	1/2	3 3/4	3640632	82.95	3641632	96.55	6	3600632	75.00	3601632	79.10	6	3670632	3672632	123.10		
3/8	.4062	13/32	3 5/16	3640726	57.00	3641726	66.35	5 1/4	3600726	49.85	3601726	58.00	-	-	-	-		
	.4375	7/16	3 7/16	3640728	60.90	3641728	67.60	5 1/2	3600728	54.25	3601728	63.00	5 1/2	3670728	3672728	95.55		
	.4688	15/32	3 5/8	3640730	86.75	3641730	100.85	5 3/4	3600730	61.05	3601730	70.65	5 3/4	3670730	3672730	104.90		
	.5000	1/2	3 3/4	3640732	82.95	3641732	96.55	6	3600732	75.00	3601732	79.10	6	3670732	3672732	123.10		
	.5312	17/32	3 7/8	3640734	103.45	3641734	116.55	6 5/8	3600734	97.70	3601734	113.55	6	3670734	3672734	141.30		
	.5625	9/16	4	3640736	103.45	3641736	116.55	6 5/8	3600736	98.60	3601736	114.50	6	3670736	3672736	146.10		
	.5938	19/32	4 1/8	3640738	118.65	3641738	133.80	7 1/8	3600738	105.95	3601738	122.95	7	3670738	3672738	154.55		
	.6250	5/8	4 1/4	3640740	118.65	3641740	133.80	7 1/8	3600740	120.05	3601740	139.10	7	3670740	3672740	159.30		
	.6562	21/32	4 1/2	3640742	142.75	3641742	160.95	7 1/8	3600742	122.00	3601742	141.55	7 1/2	3670742	3672742	170.45		
	.6875	11/16	4 5/8	3640744	146.40	3641744	165.15	7 5/8	3600744	124.35	3601744	144.25	7 1/2	3670744	3672744	175.05		
.7188	23/32	4 3/4	3640746	166.05	3641746	192.75	7 5/8	3600746	146.75	3601746	163.25	8	3670746	3672746	183.40			
.7500	3/4	5	3640748	166.45	3641748	187.45	8	3600748	149.90	3601748	166.60	8	3670748	3672748	188.40			
1/2	.5312	17/32	3 7/8	3640834	103.45	3641834	116.55	6 5/8	3600834	97.70	3601834	113.55	-	-	-	-		
	.5625	9/16	4	3640836	103.45	3641836	116.55	6 5/8	3600836	98.60	3601836	114.50	6	3670836	3672836	146.10		
	.5938	19/32	4 1/8	3640838	118.65	3641838	133.80	7 1/8	3600838	105.95	3601838	122.95	7	3670838	3672838	154.55		
	.6250	5/8	4 1/4	3640840	118.65	3641840	133.80	7 1/8	3600840	120.05	3601840	139.10	7	3670840	3672840	159.30		
	.6562	21/32	4 1/2	3640842	142.75	3641842	160.95	7 1/8	3600842	122.00	3601842	141.55	7 1/2	3670842	3672842	170.45		
	.6875	11/16	4 5/8	3640844	146.40	3641844	165.15	7 5/8	3600844	124.35	3601844	144.25	7 1/2	3670844	3672844	175.05		
	.7188	23/32	4 3/4	3640846	166.05	3641846	192.75	7 5/8	3600846	146.75	3601846	163.25	8	3670846	3672846	183.40		
	.7500	3/4	5	3640848	166.45	3641848	187.45	8	3600848	149.90	3601848	166.60	8	3670848	3672848	188.40		
	.8125	13/16	5 1/4	3640852	205.70	3641852	232.15	-	-	-	-	-	8	3670852	3672852	337.75		
	.8750	7/8	5 1/2	3640856	225.70	3641856	254.45	-	-	-	-	-	8	3670856	3672856	344.80		
.9375	15/16	5 3/4	3640860	242.35	3641860	273.35	-	-	-	-	-	8	3670860	3672860	384.20			
1.0000	1	6	3640864	256.00	3641864	288.85	-	-	-	-	-	8	3670864	3672864	407.60			
3/4	.8125	13/16	5 1/4	3640952	205.70	3641952	232.15	-	-	-	-	-	8	3670952	3672952	337.75		
	.8750	7/8	5 1/2	3640956	225.70	3641956	254.45	-	-	-	-	-	8	3670956	3672956	344.80		
	.9375	15/16	5 3/4	3640960	242.35	3641960	273.35	-	-	-	-	-	8	3670960	3672960	384.20		
	1.0000	1	6	3640964	256.00	3641964	288.85	-	-	-	-	-	8	3670964	3672964	407.60		
	1.0625	1 1/16	6 1/4	3640968	320.85	3641968	361.70	-	-	-	-	-	-	-	-	-		
	1.1250	1 1/8	6 3/8	3640972	356.25	3641972	401.55	-	-	-	-	-	-	-	-	-		
	1.1875	1 3/16	6 5/8	3640976	434.65	3641976	487.25	-	-	-	-	-	-	-	-	-		
	1.2500	1 1/4	6 3/4	3640980	434.65	3641980	487.25	-	-	-	-	-	-	-	-	-		

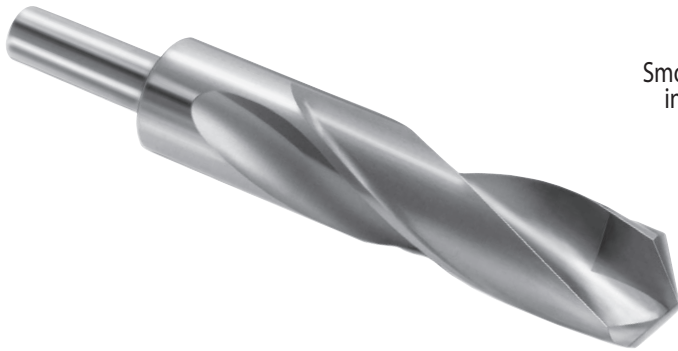
DRILL TOLERANCES & STANDARDS

DRILL DIAMETER RANGE (INCH)	DRILL DIAMETER TOLERANCES	SHANK DIAMETER TOLERANCES	INCLUDED ANGLE	LIP HEIGHT T.I.V.	ALL DIMENSIONAL & ELEMENT TOLERANCES CONFORM TO ONE OR MORE OF THE FOLLOWING STANDARDS, UNLESS OTHERWISE SPECIFIED ON SELECTED TYPES:
THRU 1/8"	+0.0000"/-0.0005"	-0.0000"/-0.0025"	+5°/-5°	.0020"	<ul style="list-style-type: none"> • ASME/ANSI B94.11M • ISO - INTERNATIONAL STANDARDS ORGANIZATION • NAS 907 - NATIONAL AEROSPACE STANDARDS • USCTI - UNITED STATES CUTTING TOOL INSTITUTE
OVER 1/8" THRU 1/4"	+0.0000"/-0.0007"	-0.0005"/-0.0030"	+5°/-5°	.0030"	
OVER 1/4" THRU 1/2"	+0.0000"/-0.0010"	-0.0005"/-0.0045"	+5°/-5°	.0040"	
OVER 1/2" THRU 1"	+0.0000"/-0.0012"	-0.0005"/-0.0030"	+3°/-3°	.0050"	
OVER 1" THRU 1 1/2"	+0.0000"/-0.0015"	-0.0005"/-0.0030"	+3°/-3°	.0060"	

LEXINGTON CUTTER, INC. • sales@lexingtoncutter.com • Phone 800-882-2627 • Fax 800-882-3637

CARBIDE TIPPED SILVER & DEMING DRILLS

TYPE 3616 - 118° POINT



Carbide tip brazed to hardened tool steel bodies.

Smooth flutes for effective chip flow. Precision ground to insure concentricity of tip & body. For drilling cast iron, non-ferrous metals and non-metals. Shank size of 1/2" x 2 1/4" allows larger diameter drills to be used in 1/2" and larger drill chucks. (Not usually recommended for steel.)

TYPE 3618 - 135° SPLIT POINT

Same as Type 3616 above, except designed for drilling abrasive and tough materials.

For drill tolerances, see page 150.

TOOL DIAMETER		LENGTH		118° POINT		135° POINT	
DECIMAL	FRAC.	FLUTE	OVERALL	TYPE 3616 EDP NO.	PRICE EACH	TYPE 3618 EDP NO.	PRICE EACH
.5000	1/2	3 1/8	6	361632	\$62.90	361832	\$72.35
.5312	17/32	3 1/8	6	361634	92.10	361834	105.90
.5625	9/16	3 1/8	6	361636	95.40	361836	109.75
.5938	19/32	3 1/8	6	361638	99.30	361838	114.10
.6250	5/8	3 1/8	6	361640	110.25	361840	126.75
.6562	21/32	3 1/8	6	361642	119.55	361842	137.40
.6875	11/16	3 1/8	6	361644	124.20	361844	142.90
.7188	23/32	3 1/8	6	361646	128.90	361846	148.20
.7500	3/4	3 1/8	6	361648	135.05	361848	155.30
.7812	25/32	3 1/8	6	361650	148.90	361850	171.20
.8125	13/16	3 1/8	6	361652	149.20	361852	171.60
.8438	27/32	3 1/8	6	361654	149.20	361854	171.60
.8750	7/8	3 1/8	6	361656	155.25	361856	178.55

TOOL DIAMETER		LENGTH		118° POINT		135° POINT	
DECIMAL	FRAC.	FLUTE	OVERALL	TYPE 3616 EDP NO.	PRICE EACH	TYPE 3618 EDP NO.	PRICE EACH
.9062	29/32	3 1/8	6	361658	\$158.95	361858	\$182.85
.9375	15/16	3 1/8	6	361660	160.55	361860	184.60
.9688	31/32	3 1/8	6	361662	166.05	361862	190.85
1.0000	1	3 1/8	6	361664	169.55	361864	195.00
1.0312	1 1/32	3 1/8	6	361666	163.70	361866	188.25
1.0625	1 1/16	3 1/8	6	361668	177.50	361868	204.05
1.0938	1 3/32	3 1/8	6	361670	181.70	361870	208.95
1.1250	1 1/8	3 1/8	6	361672	185.30	361872	213.05
1.1562	1 5/32	3 1/8	6	361674	224.85	361874	258.60
1.1875	1 3/16	3 1/8	6	361676	228.90	361876	263.25
1.2188	1 7/32	3 1/8	6	361678	240.40	361878	276.45
1.2500	1 1/4	3 1/8	6	361680	219.50	361880	252.45
-	-	-	-	-	-	-	-

CARBIDE TIPPED CNC SPOTTING/CENTERING DRILLS



TYPE 3677 - REGULAR LENGTH - 90° POINT

TYPE 3678 - REGULAR LENGTH - 120° POINT

TYPE 3679 - REGULAR LENGTH - 140° POINT

Carbide tip brazed to hardened tool steel bodies.

Cuts only to depth of point. Excellent for CNC spot facing, centering and chamfering. Tool diameter not cleared for drilling holes.

TYPE 3647 - SHORT LENGTH - 90° POINT

TYPE 3648 - SHORT LENGTH - 120° POINT

TYPE 3649 - SHORT LENGTH - 140° POINT

Same as Types 3677, 3678 & 3679 above, except shorter length.

REGULAR LENGTH

TOOL DIAMETER		LENGTH		90° POINT	120° POINT	140° POINT	ALL TYPES PRICE
DECIMAL	FRAC.	FLUTE	OVERALL	TYPE 3677 EDP NO.	TYPE 3678 EDP NO.	TYPE 3679 EDP NO.	
.2500	1/4	1	4	367716	367816	367916	\$97.50
.3750	3/8	1 1/8	5	367724	367824	367924	113.80
.5000	1/2	1 1/2	6	367732	367832	367932	153.00
.6250	5/8	1 5/8	7	367740	367840	367940	221.65
.7500	3/4	1 7/8	8	367748	367848	367948	257.10
1.0000	1	2 1/4	8	367764	367864	367964	340.80

SHORT LENGTH

TOOL DIAMETER		LENGTH		90° POINT	120° POINT	140° POINT	ALL TYPES PRICE
DECIMAL	FRAC.	FLUTE	OVERALL	TYPE 3647 EDP NO.	TYPE 3648 EDP NO.	TYPE 3649 EDP NO.	
.2500	1/4	1	2 1/2	364716	364816	364916	\$92.60
.3750	3/8	1 1/8	3 1/8	364724	364824	364924	108.10
.5000	1/2	1 1/2	3 3/4	364732	364832	364932	145.45
.6250	5/8	1 5/8	4 1/4	364740	364840	364940	210.60
.7500	3/4	1 7/8	5	364748	364848	364948	244.25
1.0000	1	2 1/4	6	364764	364864	364964	323.75

SINGLE POINT TOOLS WITH PREMIUM CARBIDE GRADE

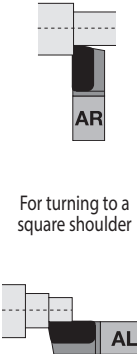
TYPE 3980 - SILVER SHANK 883 / PREMIUM C2 CARBIDE GRADE

Carbide tip brazed to steel bodies. For machining non-ferrous materials and cast iron.



0° SIDE CUTTING EDGE ANGLE
For machining to a square shoulder.

TOOL TYPE & SIZE NO.	883 / PREMIUM C2*		370 / PREMIUM C5-C6*		SHANK DIMENSION			STD. PKG. QTY.
	EDP NO.	PRICE EACH	EDP NO.	PRICE EACH	W	H	L	
AR-4	398AR04	\$14.25	393AR04	\$10.45	¼	¼	2	12
AR-5	398AR05	12.60	393AR05	11.05	⅝	⅝	2 ¼	12
AR-6	398AR06	12.85	393AR06	11.30	⅜	⅜	2 ½	12
AR-7	398AR07	13.80	393AR07	12.25	⅞	⅞	3	12
AR-8	398AR08	11.80	393AR08	11.80	½	½	3 ½	12
AR-10	398AR10	17.60	393AR10	16.25	⅝	⅝	4	12
AR-12	398AR12	22.55	393AR12	20.25	¾	¾	4 ½	12
AR-16	398AR16	41.40	393AR16	40.30	1	1	7	6
AR-20	398AR20	CALL	393AR20	CALL	1 ¼	1 ¼	8	1
AR-44	398AR44	CALL	393AR44	CALL	½	1	7	12



TYPE 3930 - GOLD SHANK 370 / PREMIUM C5-C6 CARBIDE GRADE

Carbide tip brazed to steel bodies. For machining most steels.



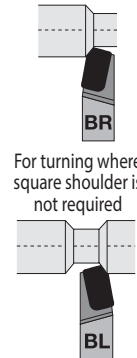
0° SIDE CUTTING EDGE ANGLE
For machining to a square shoulder.

TOOL TYPE & SIZE NO.	883 / PREMIUM C2*		370 / PREMIUM C5-C6*		SHANK DIMENSION			STD. PKG. QTY.
	EDP NO.	PRICE EACH	EDP NO.	PRICE EACH	W	H	L	
AL-4	398AL04	\$14.25	393AL04	\$10.45	¼	¼	2	12
AL-5	398AL05	12.60	393AL05	11.05	⅝	⅝	2 ¼	12
AL-6	398AL06	12.85	393AL06	11.30	⅜	⅜	2 ½	12
AL-7	398AL07	13.80	393AL07	12.25	⅞	⅞	3	12
AL-8	398AL08	11.80	393AL08	11.80	½	½	3 ½	12
AL-10	398AL10	16.70	393AL10	16.25	⅝	⅝	4	12
AL-12	398AL12	21.50	393AL12	21.35	¾	¾	4 ½	12
AL-16	398AL16	41.90	393AL16	41.90	1	1	7	6
AL-20	-	-	393AL20	CALL	1 ¼	1 ¼	8	1
AL-44	398AL44	CALL	393AL44	CALL	½	1	7	12



15° SIDE CUTTING EDGE ANGLE
For interrupted or irregular cuts.

TOOL TYPE & SIZE NO.	883 / PREMIUM C2*		370 / PREMIUM C5-C6*		SHANK DIMENSION			STD. PKG. QTY.
	EDP NO.	PRICE EACH	EDP NO.	PRICE EACH	W	H	L	
BR-4	398BR04	\$14.25	393BR04	\$10.45	¼	¼	2	12
BR-5	398BR05	12.60	393BR05	11.05	⅝	⅝	2 ¼	12
BR-6	398BR06	12.85	393BR06	11.30	⅜	⅜	2 ½	12
BR-7	398BR07	13.80	393BR07	12.25	⅞	⅞	3	12
BR-8	398BR08	11.80	393BR08	11.80	½	½	3 ½	12
BR-10	398BR10	17.60	393BR10	16.25	⅝	⅝	4	12
BR-12	398BR12	22.55	393BR12	20.25	¾	¾	4 ½	12
BR-16	398BR16	41.40	393BR16	40.30	1	1	7	6
BR-20	398BR20	CALL	393BR20	CALL	1 ¼	1 ¼	8	1
BR-44	398BR44	CALL	393BR44	CALL	½	1	7	12



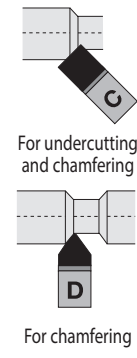
15° SIDE CUTTING EDGE ANGLE
For interrupted or irregular cuts.

TOOL TYPE & SIZE NO.	883 / PREMIUM C2*		370 / PREMIUM C5-C6*		SHANK DIMENSION			STD. PKG. QTY.
	EDP NO.	PRICE EACH	EDP NO.	PRICE EACH	W	H	L	
BL-4	398BL04	\$14.25	393BL04	\$10.45	¼	¼	2	12
BL-5	398BL05	12.60	393BL05	11.05	⅝	⅝	2 ¼	12
BL-6	398BL06	12.85	393BL06	11.30	⅜	⅜	2 ½	12
BL-7	398BL07	13.80	393BL07	12.25	⅞	⅞	3	12
BL-8	398BL08	11.80	393BL08	11.80	½	½	3 ½	12
BL-10	398BL10	16.70	393BL10	16.25	⅝	⅝	4	12
BL-12	398BL12	21.50	393BL12	21.35	¾	¾	4 ½	12
BL-16	398BL16	41.90	393BL16	41.90	1	1	7	6
BL-20	398BL20	CALL	393BL20	CALL	1 ¼	1 ¼	8	1
BL-44	398BL44	CALL	393BL44	CALL	½	1	7	12



0° SQUARE NOSE
No nose radius.

TOOL TYPE & SIZE NO.	883 / PREMIUM C2*		370 / PREMIUM C5-C6*		SHANK DIMENSION			STD. PKG. QTY.
	EDP NO.	PRICE EACH	EDP NO.	PRICE EACH	W	H	L	
C-4	398C04	\$9.35	393C04	\$9.35	¼	¼	2	12
C-5	398C05	10.40	393C05	10.00	⅝	⅝	2 ¼	12
C-6	398C06	13.45	393C06	11.05	⅜	⅜	2 ½	12
C-7	398C07	10.25	393C07	14.15	⅞	⅞	3	12
C-8	398C08	16.45	393C08	15.30	½	½	3 ½	12
C-10	398C10	18.55	393C10	20.25	⅝	⅝	4	12
C-12	398C12	25.50	393C12	29.00	¾	¾	4 ½	12
C-16	398C16	53.00	393C16	51.00	1	1	7	6
C-20	398C20	CALL	393C20	CALL	1 ¼	1 ¼	8	1
C-44	398C44	CALL	393C44	CALL	½	1	7	12



40° SIDE CUTTING EDGE ANGLE
80° pointed nose.

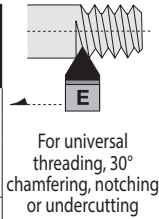
TOOL TYPE & SIZE NO.	883 / PREMIUM C2*		370 / PREMIUM C5-C6*		SHANK DIMENSION			STD. PKG. QTY.
	EDP NO.	PRICE EACH	EDP NO.	PRICE EACH	W	H	L	
D-4	398D04	\$8.75	393D04	\$8.75	¼	¼	2	12
D-5	398D05	10.10	393D05	10.45	⅝	⅝	2 ¼	12
D-6	398D06	10.40	393D06	11.15	⅜	⅜	2 ½	12
D-7	398D07	14.15	393D07	17.15	⅞	⅞	3	12
D-8	398D08	13.60	393D08	14.40	½	½	3 ½	12
D-10	398D10	19.00	393D10	21.05	⅝	⅝	4	12
D-12	398D12	27.15	393D12	23.90	¾	¾	4 ½	12
D-16	398D16	40.35	393D16	41.65	1	1	7	6

SINGLE POINT TOOLS WITH PREMIUM CARBIDE GRADE

TYPE 3980 - SILVER SHANK 883 / PREMIUM C2 CARBIDE GRADE

Carbide tip brazed to steel bodies. For machining non-ferrous materials and cast iron.

TOOL TYPE & SIZE NO.	883 / PREMIUM C2*		370 / PREMIUM C5-C6*		SHANK DIMENSION			STD. PKG. QTY.
	EDP NO.	PRICE EACH	EDP NO.	PRICE EACH	W	H	L	
E-4	398E04	\$8.75	393E04	\$8.75	1/4	1/4	2	12
E-5	398E05	9.50	393E05	9.50	5/16	5/16	2 1/4	12
E-6	398E06	9.95	393E06	9.65	3/8	3/8	2 1/2	12
E-7	398E07	15.35	393E07	18.40	7/16	7/16	3	12
E-8	398E08	22.80	393E08	12.15	1/2	1/2	3 1/2	12
E-10	398E10	18.85	393E10	17.05	5/8	5/8	4	12
E-12	398E12	23.45	393E12	23.75	3/4	3/4	4 1/2	12
E-16	398E16	41.10	393E16	39.55	1	1	7	6

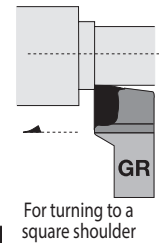


60° INCLUDED ANGLE
30° SIDE CUTTING EDGE ANGLE
For threading, chamfering, notching, or undercutting.



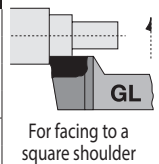
0° SIDE CUTTING EDGE ANGLE
Offset for facing or turning to a square shoulder or close to chuck jaws.

TOOL TYPE & SIZE NO.	883 / PREMIUM C2*		370 / PREMIUM C5-C6*		SHANK DIMENSION			STD. PKG. QTY.
	EDP NO.	PRICE EACH	EDP NO.	PRICE EACH	W	H	L	
GR-8	398GR08	\$16.45	393GR08	\$15.60	1/2	1/2	3 1/2	12
GR-10	398GR10	24.70	393GR10	22.50	5/8	5/8	4	12
GR-12	398GR12	31.70	393GR12	28.05	3/4	3/4	4 1/2	6
GR-16	398GR16	66.85	393GR16	67.30	1	1	7	4
GR-20	398GR20	CALL	393GR20	CALL	1 1/4	1 1/4	8	1
GR-44	398GR44	CALL	393GR44	CALL	1/2	1	6	6



0° SIDE CUTTING EDGE ANGLE
Offset for facing or turning to a square shoulder or close to chuck jaws.

TOOL TYPE & SIZE NO.	883 / PREMIUM C2*		370 / PREMIUM C5-C6*		SHANK DIMENSION			STD. PKG. QTY.
	EDP NO.	PRICE EACH	EDP NO.	PRICE EACH	W	H	L	
GL-8	398GL08	\$16.30	393GL08	\$16.10	1/2	1/2	3 1/2	12
GL-10	398GL10	23.65	393GL10	22.50	5/8	5/8	4	12
GL-12	398GL12	30.55	393GL12	30.20	3/4	3/4	4 1/2	6
GL-16	398GL16	64.85	393GL16	67.30	1	1	7	4
GL-20	398GL20	CALL	393GL20	CALL	1 1/4	1 1/4	8	1
GL-44	398GL44	CALL	393GL44	CALL	1/2	1	6	6



Carbide tip brazed to steel bodies. For machining non-ferrous materials and cast iron.



STANDARD CUTOFF TOOLS

For stock cut off and grooving solid bars.

Standard package quantity is 6.

TOOL TYPE & SIZE NO.	CUT OFF WIDTH	883 / PREMIUM C2*		370 / PREMIUM C5-C6*		SHANK DIMENSION		
		EDP NO.	PRICE EACH	EDP NO.	PRICE EACH	W	H	L
CT-111	1/8	398CT01	\$21.15	393CT01	\$21.95	1/2	1	5
CT-122	3/16	398CT02	21.75	393CT02	22.40	1/2	1	5
CT-121	1/4	398CT03	22.50	393CT03	23.20	1/2	1	5
CT-120	5/16	398CT04	22.40	393CT04	23.20	1/2	1	5
CT-130	3/8	398CT13	27.15	393CT13	28.95	5/8	1 1/4	5
CT-140	3/8	398CT14	30.15	393CT14	31.15	3/4	1 1/2	6

Carbide tip brazed to steel bodies. For machining most steels.



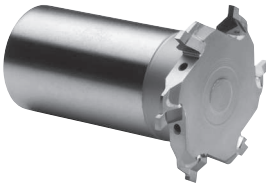
STANDARD CUTOFF TOOLS

For stock cut off and grooving solid bars.

Standard package quantity is 6.

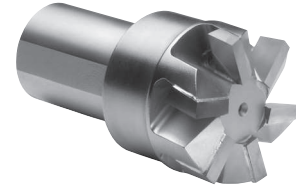
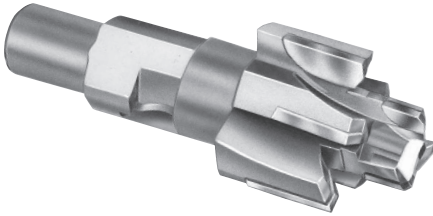
TOOL TYPE & SIZE NO.	CUT OFF WIDTH	883 / PREMIUM C2*		370 / PREMIUM C5-C6*		SHANK DIMENSION		
		EDP NO.	PRICE EACH	EDP NO.	PRICE EACH	W	H	L
CTL-111	1/8	398CL01	\$21.15	393CL01	\$21.95	1/2	1	5
CTL-122	3/16	398CL02	21.75	393CL02	22.40	1/2	1	5
CTL-121	1/4	398CL03	22.50	393CL03	23.20	1/2	1	5
CTL-120	5/16	398CL04	22.40	393CL04	23.20	1/2	1	5
CTL-130	3/8	398CL13	27.15	393CL13	28.95	5/8	1 1/4	5
CTL-140	3/8	398CL14	30.15	393CL14	31.15	3/4	1 1/2	6

DESIGN AND MANUFACTURING OF SPECIAL CUTTING TOOLS



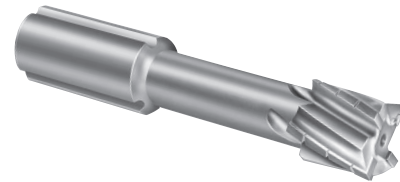
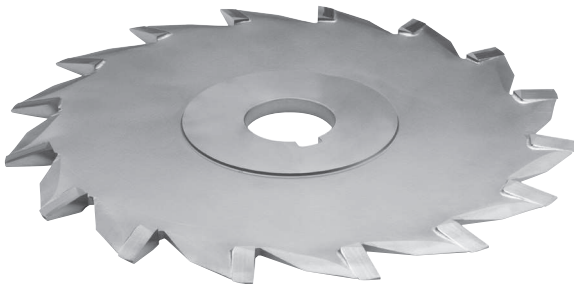
QUOTE FROM PRINT

Lexington Cutter will provide you with expedited quotes for specials from your tooling prints. Whether a complex blueprint or a simple sketch our staff will analyze your drawing and provide your quote typically within 1-2 business days.



QUOTE FROM DESCRIPTION

Many quotes for specials are supplied by description alone. These are normally standard tools with one or more non-standard features. Cutting diameter or width, shank diameter or length, chamfer or radii, arbor hole or locator pin, are just a few examples that can be accurately quoted by description.



QUOTE THROUGH DESIGN AND BUILD

Lexington Cutter's qualified staff can provide you with application support to recommend, design, and manufacture the right tool for your new or existing application. Provide us with a concept drawing of your new or existing application and we can work with you to develop or improve your current process. Often combination or step tools can be designed to eliminate steps and increase productivity. Our commitment to application specific tooling will place you a cut ahead of the competition.



ISO 9001:2008 REGISTERED FOR DESIGN AND DEVELOPMENT OF CUTTING TOOLS

Lexington Cutter is committed to continuous improvement in order to provide the necessary tools, equipment, and working environment to deliver high quality products that meet or exceed the expectations of our customers. Our factory houses over 100 machines tooled for the production of standard and specialty tooling. Lexington combines many well known manufacturing techniques such as Setup Reduction, Total Quality Management, Lean Production, Poka-Yoke, and Cellular Manufacturing into a production environment that thrives on high quality and continuous improvement.



INDEX BY TOOL TYPE NUMBER

The first 4 digits of the EDP number represent the Type of the tool. The remaining digits represent the size of the tool. Within each Type of tool are different sizes that have the same basic function and design. If you know the Type of the tool you are looking for, this table will take you to the page where you can find it. Types in this chart that are bold are new products for our main catalog.

TOOL TYPE	METRIC PAGE	FRAC. PAGE	TOOL TYPE	METRIC PAGE	FRAC. PAGE	TOOL TYPE	METRIC PAGE	FRAC. PAGE	TOOL TYPE	METRIC PAGE	FRAC. PAGE	TOOL TYPE	METRIC PAGE	FRAC. PAGE	TOOL TYPE	METRIC PAGE	FRAC. PAGE
END MILLS			REAMERS (CONT.)			REAMERS (CONT.)			COUNTERSINKS (CONT.)			60° ANGLE CUTTERS					
3300		31	3429h6	107	107	3483		99	3585		28	3724		27			
3302		32	3429EL		123	3483ST		126	3590		28	3726		27			
3304		32	3430	91	90	3483EL		122	3591		28	CHAMFER CUTTERS					
3305		32	3431		117	3484		99	DRILLS			3730		12			
3306		32	3432		100	3484ST		126	3600	131	130,150	3731		12			
3307		32	3433		101	3484EL		122	3601	131	130,150	3732		12			
3308		31	3434	111	110	3486		79	3610		140	3733		12			
3310		31	3434h6	104	104	3488		79	3611		140	DOVETAIL CUTTERS					
3312		29	3435	109	108	3490		115	3616		151	3734		13			
3314		29	3435h6	105	105	Semi Finished		69	3618		151	3735		13			
3318		29	3435EL		119	F & S Reamers		59	3620	147	146	3736		13			
3320		33	3436		100	COUNTERBORES			3621	149	148	3737		13			
3322		30	3437		101	3500		36	3622	147	146	CORNER ROUNDING					
3323		30	3438		100	3510	43	42	3623	149	148	3740		29			
3325		33	3439		101	3511	43	42	3630	133	132	3741		29			
3327		33	3440	91	90	3512	39	38	3631	133	132	DOUBLE ANGLE CUTTERS					
3337		30	3441		116	3513	37	37	3640	135	134,150	3746		12			
3350		31	3442		98	3514	39	38	3641	135	134,150	3747		12			
3353		30	3442ST		125	3515	37	37	3647		151	3748		12			
3355		30	3442EL		120	3516	41	40	3648		151	3749		12			
3375		33	3443		98	3518	41	40	3649		151	3750		27			
REAMERS			3443ST		125	3522		44	3650	143	142	3752		27			
3400	64	62-68	3443EL		120	F & S Counterbore		35	3652	143	142	3754		27			
3401		60	3444		98	SHELL MILLS			3654	145	144	PORT CONTOUR CUTTERS					
3402	71	70	3444ST		125	3530		27	3655	145	144	3780		34			
3407	93	92	3444EL		120	3531		27	3656		144	3781		34			
3408	93	92	3450	73	72-76	3532		27	3657		144	3786	34				
3409	93	92	3452	81	80	FACE MILLS			3658		141	3787	34				
3410	84	82	3453		97	3536		28	3660		136	SOLID CARBIDE					
3411		113	3454		97	3537		28	3661	137	136	3800		48, 50			
3411h6	106	106	3455		97	3538		28	3668		136	3801		48, 50			
3411EL		121	3457	95	94	MILLING CUTTERS			3670	137	138,150	3802		50			
3412		85	3457ST		124	3540		26	3671		138	3803		50			
3413		113	3457EL		118	3541		26	3672	137	138,150	3804	54	54-58			
3413h6	106	106	3458	95	94	3542		26	3673		138	3806		52			
3413EL		121	3458ST		124	3543		26	3674		139	3807		52			
3414	111	110	3458EL		118	3547		15	3675		139	3808		52			
3414h6	104	104	3459	95	94	SLITTING SAWS			3677		151	3809		52			
3415		113	3459ST		124	3550		16	3678		151	3810		49, 51			
3415h6	106	106	3459EL		118	3551		17	3679		151	3811		49, 51			
3415EL		121	3461		103	3552		16	3690		129	3812		51			
3416	109	108	3462		103	3553		17	3691		129	3813		51			
3416h6	105	105	3463		103	3554		16	3699		141	3816		53			
3416EL		119	3464		102	3556		17, 22-25	F & S Drills		127	3817		53			
3417		112	3465	87	86	3558		16	KEYSEAT CUTTERS			3820		49, 51			
3418		112	3466		102	3559		17-21	3700		8	3821		49, 51			
3419		112	3467	89	88	F & S Mills & Saws		14	3701		9	3822		51			
3420	84	83	3468		102	COUNTERSINKS			3702		10	3823		51			
3422		85	3472		96	3561		28	3703		11	3828		53			
3424	111	110	3473		96	3563		28	3704		7	3829		53			
3424h6	104	104	3474		96	COUNTERBORES			F & S Keyseats		6	3860		128			
3426	109	108	3476		61	3573		46	45° ANGLE CUTTERS			3893		139			
3426h6	105	105	3476 Set		61	3574		46	3714		27	SINGLE POINTS					
3426EL		119	3477		61	3575		47	3716		27	3930		152-153			
3427		114	3478		61	3576		47	RADIUS CUTTERS			3980		152-153			
3427h6	107	107	3479		61	3577		45	3718		12	Specials Quote Form 154					
3427EL		123	3480	77	78-79	3578		45	3719		12	Coating Guide 157					
3428		114	3481		116	COUNTERSINKS			T-SLOT CUTTERS								
3428h6	107	107	3482		99	3581		28	3720		13						
3428EL		123	3482ST		126	3583		28	3721		13						
3429		114	3482EL		122	3584		28									

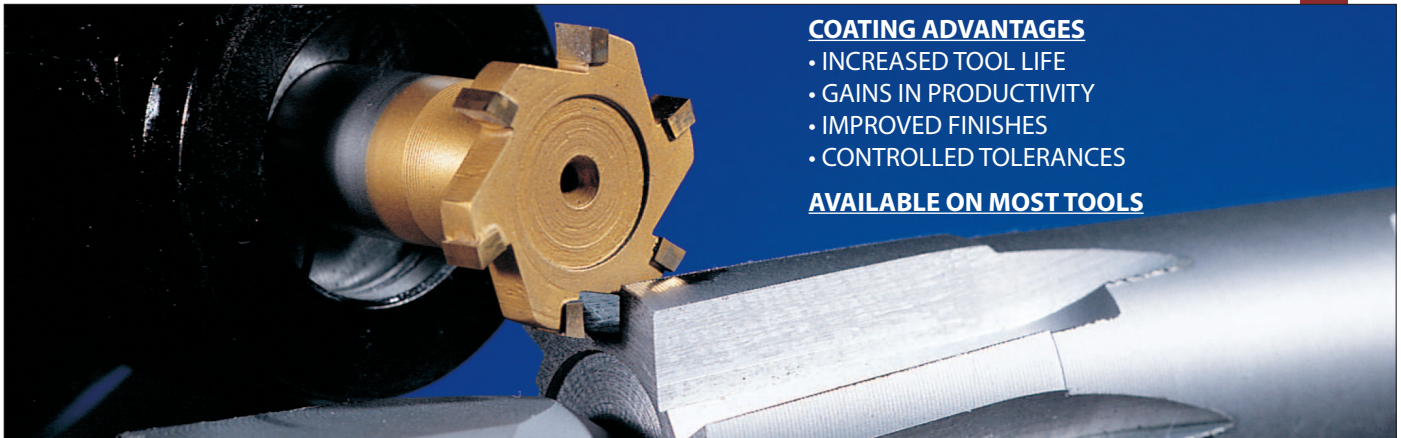
COATINGS FOR LEXINGTON CARBIDE TIPPED TOOLS

TiN - TITANIUM NITRIDE	
TiN - Titanium Nitride coating is still the most popular coating and provides the highest adhesion and ductility characteristics of any coating we offer. Hard (81 Rc), smooth, and with high thermal stability (550° C) TiN is an excellent choice for general purpose drilling, reaming, counterboring and milling a wide variety of materials.	
TECHNICAL DATA	
Hardness (Vickers):	2300
Max. Service Temperature:	525° C (975° F)
Friction Coefficient:	.50
Thickness	2-4 microns
Surface Roughness (R _a μM):	.20

TiCN - TITANIUM CARBONITRIDE	
TiCN - Titanium Carbonitride has a higher hardness (87 Rc) than TiN and has greater lubricity. TiCN should be used in applications where tool temperature can be controlled due to the relatively low oxidation temperature (400° C). Excellent resistance to wear and edge build-up in drilling, reaming, and wet milling applications with non-ferrous materials and cast iron.	
TECHNICAL DATA	
Hardness (Vickers):	3000
Max. Service Temperature:	400° C (750° F)
Friction Coefficient:	.40
Thickness	2-4 microns
Surface Roughness (R _a μM):	.17

AlTiN - ALUM. TITANIUM NITRIDE	
AlTiN - Aluminum Titanium Nitride is an excellent choice when machining abrasive and high temperature applications over 800° C. It creates a hard aluminum oxide layer during the cutting process. Recommended for use when counterboring, drilling, milling, and reaming in all of our material classifications except Non-Ferrous.	
TECHNICAL DATA	
Hardness (Vickers):	3600
Max. Service Temperature:	750° C (1380° F)
Friction Coefficient:	.60
Thickness	2-4 microns
Surface Roughness (R _a μM):	.30

ZrN - ZIRCONIUM NITRIDE	
ZrN - Zirconium Nitride is an excellent choice when machining plastics and non-ferrous materials. Very reliable coating when moderate temperatures are generated at the cutting edge. This coating offers a higher service temperature than TiCN.	
TECHNICAL DATA	
Hardness (Vickers):	2500
Max. Service Temperature:	600° C (1110° F)
Friction Coefficient:	.50
Thickness	2-4 microns
Surface Roughness (R _a μM):	.20



COATING ADVANTAGES

- INCREASED TOOL LIFE
- GAINS IN PRODUCTIVITY
- IMPROVED FINISHES
- CONTROLLED TOLERANCES

AVAILABLE ON MOST TOOLS

WHY DO COATINGS WORK? COATINGS PROVIDE:

1. Thermal Insulation: - Coatings deflect heat back into the chip which reduces tool temperature & increases tool life.
2. Mechanical Strength - Coatings resist abrasion and protect the carbide tip from wear.
3. Chemical Resistance - Coatings protect and stabilize the carbide substrate under chemically reactive conditions.

MATERIAL CLASSIFICATION	DRILLING	REAMING	COUNTERBORING		MILLING	
	WET	WET	WET	DRY	WET	DRY
NON-FERROUS - SOFT	ZrN	TiCN/ZrN	ZrN	ZrN	ZrN	ZrN
NON-FERROUS - HARD	ZrN	TiCN/ZrN	ZrN	ZrN	ZrN	ZrN
CAST IRON	AlTiN	TiCN/AlTiN	AlTiN	AlTiN	AlTiN	AlTiN
LOW CARBON STEELS	AlTiN	AlTiN	AlTiN	AlTiN	AlTiN	AlTiN
MEDIUM STRENGTH STEELS	AlTiN	AlTiN	AlTiN	AlTiN	AlTiN	AlTiN
HIGH STRENGTH STEELS	AlTiN	AlTiN	AlTiN	AlTiN	AlTiN	AlTiN
HIGH TEMPERATURE ALLOYS	AlTiN	AlTiN	AlTiN	*	AlTiN	*

*High Temperature Alloys should not be machined dry.

The coatings in the table at left represent first choice recommendations. Only after a trial run can you be certain that a specific coating is best. Lexington Cutter, Inc. uses coating service companies that allow a low temperature Physical Vapor Deposition (PVD) process specially designed for carbide tipped tools. Tools that are coated by someone other than through Lexington Cutter, Inc. will not be warranted.

LIMITED WARRANTY

Lexington Cutter, Inc. reserves the right to make any changes on the specifications, prices, or tolerances without notice.

WARNING - Because cutting tools may shatter or break, government regulations require the use of safety glasses and other safety equipment at all times in the vicinity of cutting tool use. Grinding of solid carbide or carbide tipped tools will produce carbide and braze dust that may be hazardous to your health. Use adequate ventilation and read the applicable "Material Safety Data Sheets."

LIMITED WARRANTY: Lexington Cutter, Inc. does not give any warranty on its products except as follows: Lexington Cutter, Inc. warrants to original equipment manufacturers, distributors and industrial and commercial users of its products that each new product manufactured or supplied by Lexington Cutter, Inc. shall be free from defects in material and workmanship. Lexington Cutter, Inc.'s sole obligation under this warranty is limited to furnishing, without additional charge, a replacement for, or at its option, repairing or issuing credit for any such product which shall within one year from the date of sale by Lexington Cutter, Inc. be returned freight prepaid to Lexington Cutter, Inc. and which upon inspection is determined by Lexington Cutter, Inc. to be defective in materials or workmanship. The provisions of this warranty shall not apply to any product which has been subjected to misuse; improper operating conditions, machine setup or application of cutting fluid; or which has been repaired or altered if such repair or alteration in the judgment of Lexington Cutter, Inc. would adversely affect performance of the product. Complete written information with respect to all such matters, including operating condition, machine setup, cutting fluid, cutting speed and feed rate, must be furnished to Lexington Cutter, Inc. as a prerequisite to its consideration of any claim or complaint under this warranty.

THIS WARRANTY IS IN LIEU OF ALL OTHER WARRANTIES, EXPRESSED OR IMPLIED, INCLUDING ANY IMPLIED WARRANTY OF MERCHANTABILITY OR FITNESS FOR A PARTICULAR PURPOSE. Lexington Cutter, Inc. shall have no liability or responsibility on any claim of any kind, whether in contract, tort or otherwise, for any loss or damage arising out of, connected with, or resulting from the manufacture, sale, delivery or use of any product sold hereunder, in excess of the cost of replacement or repair provided herein. IN NO EVENT SHALL LEXINGTON CUTTER, INC. BE LIABLE FOR ANY SPECIAL, INCIDENTAL OR CONSEQUENTIAL DAMAGES. Lexington Cutter, Inc. makes no other warranty, expressed or implied, except the warranty against defects in material and workmanship set forth above; and Lexington Cutter, Inc. neither assumes nor authorizes any other person or entity to assume for it any other obligation or liability in connection with any of its products.



NO MINIMUM ORDER
95% OF TOOLS IN STOCK
METRICS STOCKED
SPECIALS QUOTED
SOLD THROUGH INDUSTRIAL DISTRIBUTORS
NO RESTOCKING CHARGE ON STANDARDS WITHIN ONE YEAR
SAME DAY SHIPPING ON ORDERS RECEIVED BEFORE NOON EST
ISA MEMBER
USCTI MEMBER
ISO 9001 REGISTERED



FOUR TIME AMERICAN EAGLE AWARD WINNER
INCLUDING VALUE ADDED MANUFACTURER
PROUDLY MANUFACTURED IN THE USA & DISTRIBUTED AROUND THE WORLD

CONTACT US:

WWW.LEXINGTONCUTTER.COM
SALES@LEXINGTONCUTTER.COM
PHONE: 941.739.2726 • 800.882.2627
FAX: 941.739.2827 • 800.882.3637
2951 63RD AVENUE EAST
BRADENTON, FLORIDA 34203

